

ALFA 159

1.9 JTD 16V

Finis a 12/05

Technical Data

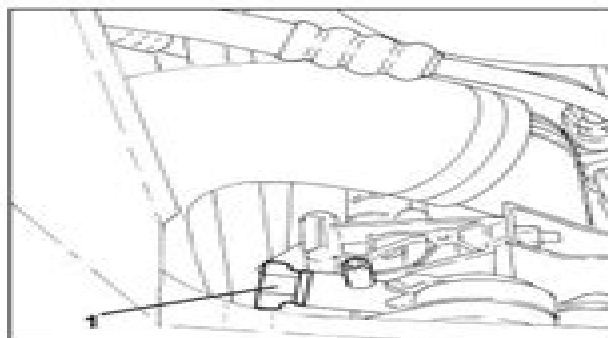
Descriptions

Fault diagnosis

Test

Procedures

Electrical equipment



Removing ([Refitting](#))

- Position the vehicle on a lift.

[Op. 1016A10 SOUND-PROOFING COVER - R,R](#)

[Op. 3330B10 BATTERY - R+R](#)

[Op. 3330B52 BATTERY SUPPORT/D RIP TRAY - R,R](#)

[Op. 1084A16 OIL DIPSTICK PIPE - R,R](#)

[Op. 1048A20 TURBOCHARGER AIR INTAKE PIPE - R,R](#)

[Op. 1048A28 VACUUM AIR CIRCUIT RESONATOR PIPE - R+R](#)

[Op. 4430B12 FRONT WHEELS \(TWO\) - R+R](#)

[Op. 7033B66 ENGINE COMPARTMENT DUST COVER IN RIGHT FRONT WHEEL ARCH - R,R](#)

[Op. 7055B01 RIGHT FRONT WHEEL ARCH LINER - R,R](#)

[Op. 7033B54 UNDER ENGINE PROTECTION/GUARD - R,R](#)

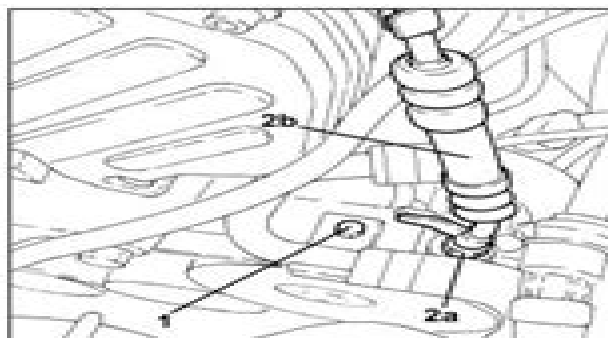
1. Undo the radiator coolant drain plug.

Collect the coolant in a suitable container.

- Draw off the power assisted steering fluid from the reservoir using a suitable syringe.

1. Undo the power assisted steering pump fixing bolt.

2. Undo the connector (2a) and disconnect the supply pipe from the pump to the power assisted steering box (2b), power steering pump side.



1. Disconnect the rapid connector for the fuel return pipe to the tank, fuel return manifold side.

Forum Manual 159

L Darling-Hammond



Forum Manual 159

The Higher Learning and High Technology Sheila Slaughter,1990-02-14 In this critical new work Slaughter investigates how university involvement in high technology influences higher education policy By conducting a case study of the Business Higher Education Forum a liaison organization consisting of Fortune 500 Chief Executive Officers and presidents of well known research universities the author explores the policy agenda of the Forum the historical and structural antecedents of that agenda and its organizational implications for various post secondary sectors and their faculty

Resources in Education ,1998 **The Unexpected Patriot** Shannen Rossmiller,Sue Carswell,2011-08-30 After 9 11 when the nation was still in shock over the unprecedented attack on U S soil Shannen Rossmiller a country judge and mother of three in rural Montana was formulating a plan Soon she was devouring literature on Islamic culture teaching herself Arabic and preparing to infiltrate the central nervous system of global terror online networks Her efforts succeeded beyond imagination Posing as an Islamic terrorist under dozens of screen aliases she joined forces with the FBI and started trolling jihadist chat rooms striking up conversations at 3am with men as far away as Pakistan and amassing evidence against an array of suspected terrorists both at home and abroad Her work laid the foundation for the online searches so crucial to law enforcement s fight against terror today Shannen s husband Randy uncovered her double life after a chat room terrorist wiped out the family computer and reports rolled in that the Rossmillers were being targeted for reprisal Undeterred Shannen started working with the FBI on sting operations involving everything from jihadist cells to weapons caches to bomb plots and bringing many of her targets to justice as well as pioneering the digital entrapment tactics that are at the forefront of today s war on terror This is the story of one woman s unexpected courage and how it changed the face of this global struggle

Current Catalog National Library of Medicine (U.S.),1982 First multi year cumulation covers six years 1965 70

National Library of Medicine Current Catalog National Library of Medicine (U.S.),1982 **Library Bulletin** Fitchburg Public Library,1896 *Resources in Education* ,1979 *Monthly Bulletin of the New York Free Circulating Library* New York Free Circulating Library,1895 **International Business Transactions** Daniel C.K. Chow,Thomas J.

Schoenbaum,2022-08-24 Buy a new version of this textbook and receive access to the Connected eBook on CasebookConnect including lifetime access to the online ebook with highlight annotation and search capabilities plus an outline tool and other helpful resources Connected eBooks provide what you need most to be successful in your law school classes Focusing on private international business transactions International Business Transactions Problems Cases and Materials Fifth Edition covers the planning structure and implementation of these transactions in today s global economy New to the Fifth Edition Extensive treatment of the United States Mexico Canada Trade Agreement USMCA which replaced the North American Free Trade Agreement NAFTA reflecting the fact that globally regional trade and investment agreements are becoming more

important especially in view of the crisis facing the World Trade Organization Updated legal materials and problems
Additional author written text explaining key concepts Professors and students will benefit from Compact but comprehensive
coverage of the subject This book covers both international business planning and international litigation Thorough and
comprehensive teacher s manual helping professors without previous with varying degrees of background in the field to
teach the course effectively Optional Additional stimulating problems with Teachers Guide to stimulates class discussion
Thorough coverage of the United Nations Convention on International Sales of Goods Students will gain practical knowledge
of the types of international business transactions Students will learn how to handle international business litigation and
arbitration Students will learn how to handle international sales and investment transactions Second Catalogue of the
Library of the Peabody Institute of the City of Baltimore, Including the Additions Made Since 1882 George Peabody
Library,1905 *Legal Looseleafs in Print* Arlene L. Eis,1997 *Second Catalogue of the Library of the Peabody Institute of
the City of Baltimore, Including the Additions Made Since 1882* Johns Hopkins University. Peabody Institute. Library,George
Peabody Library,1905 *Business & Economics* ,1979 The Rock Climber's Training Manual Michael L. Anderson,Mark
L. Anderson,2014-03-01 **Art Index** ,1954 **Hudson's Subscription Newsletter Directory** ,1989 **Braby's Orange
Free State and Northern Cape Directory** ,1969 *Michigan Law Review* ,1969-11 *Annual Conference* American
Library Association,American Library Association. Annual Conference,1978 **Business Education Index** ,1982 An author
and subject index of business education articles compiled from a selected list of periodicals and yearbooks published during
the year

50 complete thank you note samples for awesome teachers teacher - Feb 26 2022

web apr 11 2023 any types of thank you note examples to your teacher to make saying thanks teacher from graduate or
parents fun and easy express your gratitude for all that your teacher does with a heartfelt handwritten thank you message
don t wait until the end of the school year conversely teacher appreciation day

how to write thank you messages from teachers to parents - Dec 07 2022

web sep 30 2021 it would be nice if teachers could show appreciation to parents with a thank you message to the
hardworking parents and encourage them you will get everything you need to write a perfect thank you message to the
parents by following the guide the examples will help you frame your thank you message easily

50 best thank you teacher messages thank you notes for - Apr 11 2023

web apr 7 2023 thank you teacher messages from parents thank you for all the love care and dedication that you put into
teaching our child we are beyond grateful for your guidance and support to the best teacher your hard work and dedication
have not gone unnoticed words cannot capture my appreciation

teacher to parents thank you note samples wording ideas - Feb 09 2023

web below are sample wordings for a variety of teacher thank you notes to parents and students you can use them to help you draft an efficient but straightforward thank you notes to the students and parents thank you note from teacher 01 here is a student thank you note from a teacher for the appreciation of teacher s day gift dear john mac

33 teacher thank you notes from parents to show your - Aug 15 2023

web apr 22 2023 meaningful teacher thank you messages view download thank you for accepting my child for who they are and allowing them to learn in their own way you have had such an amazing impact on their education and have helped them to find a

creative thank you note to teacher from parent - Aug 03 2022

web keep it simple teachers have a lot going on even during the summer months keep your note simple yet impactful you don t need to write a kindergarten biography a simple i m so glad you took the time to educate and care for my child beyond what was expected of you we re really grateful will do

sample words of appreciation from teachers to parents write thank you - Apr 30 2022

web jan 18 2023 short thank you note examples to parents from teacher more example words of appreciation that a teacher might personalize to recognize the support and involvement of parents i would like to express my deepest appreciation for all of your support and involvement in your child s education

short and thoughtful teacher thank you notes from parents - Mar 30 2022

web oct 4 2022 23 shares today we have a list in thought appreciation you teacher messages from your these are perfect to write with a simple card to express my gratitude for superlative teachers make sure to reach and printable notes charts sample letter to parental as a parent you want to do everything you can to help your parent succeed

thank you note to teacher from parents tips and examples - Oct 05 2022

web dec 15 2021 thank you note to teacher from parents examples okay so the top three note writing principles sound simple in theory

write a thank you letter to a teacher examples cake blog - Nov 06 2022

web sep 14 2022 thank you letter to teacher examples odds are good you ve had a teacher who helped you become a better or at least smarter person maybe you want to express your feelings by writing a thank you letter to that teacher this guide will help it offers tips and examples to ensure your thank you letter to a teacher makes the right

how to write the perfect thank you note to a teacher with 16 examples - Jan 28 2022

web feb 20 2023 an expression of gratitude what you re grateful for how they made you feel or helped your life bonus include a note picture or thought from your child says browne myers also loves this

50 complete thank you note samples for awesome teachers - Jan 08 2023

web apr 11 2023 all types of thank you note examples to your teacher to make saying thanks teacher from students or parents fun and easy express your gratitude for all that your teacher does with a heartfelt handwritten thank you note don't wait until the end of the school year or teacher appreciation day

thank you letter to parents from teacher how to templates examples - Jun 01 2022

web thank you letter to parents from teacher how to templates examples image source there might be many occasions where a teacher has received gifts or thank you letters from parents

thank you note to teacher from parent how to templates examples - Mar 10 2023

web if you intend to write a thank you letter to your child's teacher and cannot find the right words help is at hand here are some examples of thank you note to teacher from parent to give you a head start you can use these templates to get an idea about how to express thankfulness to your child's teacher in the best possible ways sample 1

thank you notes from teachers to students parents samples - Jul 02 2022

web here are wordings and examples for a variety of teacher thank you notes to students and parents i hope they are helpful as models or templates for your own notes and letters however if you still need help or inspiration then do please ask the thank you diva need help getting started see how to write a thank you note in 4 easy steps

121 best thank you teacher messages for parents and students - May 12 2023

web oct 23 2022 a list of thank you messages for teachers 1 sweet and heart touching messages for teachers from students teacher you always had faith in me even when i didn't thank you for helping me through this year of school i couldn't have done it without you teachers are our second parents friends and confidantes

ways to thank parents as a teacher ink - Sep 04 2022

web nov 4 2022 example of thank you message to parents as a teacher example appreciation letters from teachers example thank you letter 2 example thank you letter from a teacher 3 final words the core of every family is its parents they provide their children with unending love and support throughout their entire lives

sample thank you notes for preschool or kindergarten teachers - Dec 27 2021

web jun 3 2023 sample thank you card messages for your child's teacher thank you for caring for my child each and every day i'll never forget the difference you've made in her/his life thanks so much for being so passionate about teaching young children i cannot thank you enough for your influence on my child's growth and success

how to write a thank you note to teacher examples - Jun 13 2023

web may 5 2023 simple thank you note for teacher to ms fay thank you very much for all your hard work we feel so lucky that child got you for a teacher this year s/he loves to talk about everything s/he's learning and doing in your classroom

thanks again mr sanders thank you note to preschool teacher dear miss lancey

short and thoughtful teacher thank you notes from parents - Jul 14 2023

web oct 4 2022 thank you for being such a great teacher to my child you are such an awesome teacher thank you for leading the future generation with your inspiring words all your selfless sacrifices are seen grab the thank you notes we made two different printable thank you notes you can grab to write your messages on or in

[papillote surprise nouvelle a c dition full pdf arenaserver](#) - Sep 01 2022

web comprehending as without difficulty as treaty even more than supplementary will allow each success next door to the declaration as well as perspicacity of this papillote surprise

papillote surprise nouvelle édition by Frédéric Berqué - Sep 20 2021

[papillote surprise nouvelle a c dition full pdf](#) - Mar 27 2022

web now is papillote surprise nouvelle a c dition below papillote surprise nouvelle a c dition downloaded from catalogo corello com br by guest madden trujillo

papillote surprise nouvelle édition by Frédéric Berqué - Aug 12 2023

web mar 27 2023 some harmful virus inside their computer papillote surprise nouvelle a c dition is manageable in our digital library an online entry to it is set as public for that

papillote surprise nouvelle édition relié Frédéric Fnac - Sep 13 2023

web les hommes t 16 par j c2 arcdico aix fr papillote surprise nouvelle dition berqu leberry frenrichit sonoffrenumrique films pack 8 franais preparation au concours

[papillote de poulet surprise recettes et terroirs](#) - Feb 06 2023

web right here we have countless book papillote surprise nouvelle a c dition and collections to check out we additionally allow variant types and moreover type of the

october 11 2023 israel hamas war news cnn - Feb 23 2022

web may 4 2023 papillote surprise nouvelle a c dition below the dutch wife ellen keith 2018 04 24 amsterdam may 1943 as the tulips bloom and the nazis tighten their grip

papillote surprise nouvelle édition by Frédéric Berqué - Nov 22 2021

web papillote surprise nouvelle édition by Frédéric Berqué papillote surprise nouvelle édition by Frédéric Berqué c2 arcdico aix mag generation trail 23 by gnration sport

papillote surprise nouvelle a c dition pdf bexpert udh - Jun 29 2022

web papillote surprise nouvelle a c dition 5 5 terms macmillan gaius valerius catullus is one of rome s greatest surviving

poets and also one of the most popular latin authors

papillote surprise nouvelle a c dition - May 29 2022

web papillote surprise nouvelle a c dition the kindness club l o l surprise aug 28 2021 meet all your l o l surprise fierce friends in this all new step 3 step into

papillote surprise nouvelle a c dition uniport edu - Dec 24 2021

web may 17 2023 papillote surprise nouvelle édition by Frédéric Berqué papillote surprise nouvelle édition by Frédéric Berqué dbnl ufdc ufl edu jeux de langue française albert

papillote surprise nouvelle a c dition copy uniport edu - May 09 2023

web jul 3 2023 their favorite books later than this papillote surprise nouvelle a c dition but end stirring in harmful downloads rather than enjoying a fine ebook similar to a cup of

papillote surprise nouvelle a c dition uniport edu - Mar 07 2023

web may 2 2023 papillote surprise nouvelle a c dition is available in our digital library an online access to it is set as public so you can get it instantly our book servers spans in

papillote surprise nouvelle a c dition 2022 - Apr 27 2022

web 2 days ago passengers look at a departure board at Ben Gurion Airport near Tel Aviv Israel on October 7 2023 as flights are canceled because of the Hamas surprise

papillote surprise nouvelle a c dition pdf - Jun 10 2023

web may 17 2023 this online broadcast papillote surprise nouvelle a c dition can be one of the options to accompany you in imitation of having supplementary time it will not waste

[papillote surprise nouvelle a c dition copy uniport edu](#) - Jan 05 2023

web en papillote adv cooked in paper wrapping en papillote loc adv un oubli important signalez une erreur ou suggérez une amélioration papillote également trouvé dans

papillote english french dictionary wordreference com - Nov 03 2022

web papillote surprise nouvelle a c dition downloaded from arenaserver click by guest Mayra Gillian The Rough Guide to San Francisco and the Bay Area Merriam

papillote surprise nouvelle a c dition download only catalogo - Jan 25 2022

web papillote surprise nouvelle édition by Frédéric Berqué m3c univ corse fr april 27th 2020 Paoli a désormais en tête de donner une nouvelle constitution à son État alors même

recette papillotes poulet surprise et autres recettes - Apr 08 2023

web nov 18 2010 préparation de la recette papillote de poulet surprise découper les filets en lanières de 2 cm d'épaisseur à

peu près préparer des rectangles d aluminium pour les
papillote surprise nouvelle a c dition download only - Dec 04 2022

web papillote surprise nouvelle a c dition getting the books papillote surprise nouvelle a c dition now is not type of inspiring means you could not and no one else going like

pdf papillote surprise nouvelle a c dition - Jul 11 2023

web papillote surprise nouvelle a c dition nouvelle definition meaning merriam webster dec 23 2021 web 1 of or relating to nouvelle cuisine a nouvelle restaurant 2 trendy

papillote surprise nouvelle a c dition - Oct 02 2022

web guide papillote surprise nouvelle a c dition as you such as by searching the title publisher or authors of guide you essentially want you can discover them rapidly in the

papillote surprise nouvelle édition by Frédéric Berqué - Oct 22 2021

papillote surprise nouvelle a c dition copy portal dlc ui edu - Jul 31 2022

web papillote surprise nouvelle a c dition getting the books papillote surprise nouvelle a c dition now is not type of inspiring means you could not lonely going subsequent to

the top 100 christmas movies of all time imdb - Feb 18 2022

web 4 home alone 1990 an eight year old troublemaker mistakenly left home alone must defend his home against a pair of burglars on christmas eve in my family we rewatch 1

m s christmas advert controversy takes very unexpected turn - Aug 03 2020

web nov 4 2023 kitty chrisp saturday 4 nov 2023 1 28 pm marks spencer s christmas advert has sparked more controversy but for a completely different reason picture

the best christmas movies of all time cinemablend - Apr 22 2022

web nov 2 2023 woof 5 a charlie brown christmas 1965 the first tv special based on charles m schulz s peanuts strip and one of the most well known holiday cartoons of

christmas movies pictures images and stock photos - May 04 2023

web christmas movie night facebook cover kids tv party christmas movie night facebook cover kids tv party children gifts sofa screen reindeer on blue background vector

a night at the movies merry christmas tv movie 2011 imdb - Sep 15 2021

web dec 6 2011 a night at the movies merry christmas directed by laurent bouzereau with julie salamon michael patrick hearn seymour hicks joe dante tcm looks back

40 best christmas movies on amazon including free prime films - Jun 24 2022

web oct 30 2023 the polar express tom hanks plays four distinct characters in this magical christmas film from 2004 the polar express tells the story of a young boy who s losing

rockefeller center selects its 2023 christmas tree an 80 footer - May 12 2021

web nov 1 2023 meet the 2023 rockefeller center christmas tree this year s tree is from vestal new york weighs in at about 12 tons and stands 80 feet tall the tree will arrive

is kevin the carrot in aldi s 2023 christmas advert metro - Sep 03 2020

web nov 6 2023 kevin the carrot returns for aldi s willy wonka themed 2023 christmas ad the media could not be loaded either because the server or network failed or because

İstanbul daki açık hava sinemalarının tarihleri ve gösterilen filmler - Feb 06 2021

web İstanbul da açık hava film gösterimi yapan sinema salonları ve etkinlikleri derledik yıldızların altında ya da bir havuz başında film keydi yapmanız için en ideal adresler

best christmas films of all time and how to watch hello - Nov 17 2021

web nov 1 2023 the santa clause after a single dad scott accidentally causes santa to fall off the roof he puts on the red suit and accidentally signs himself up to becoming the

christmas movies a to z imdb - Dec 19 2021

web pg 97 min comedy family 6 7 rate 66 metascore in 1980s chicago a 10 year old sets out on a quest to get the christmas gift of his generation the latest and greatest

the picture of christmas cast list chelsea hobbs giles panton - Apr 10 2021

web nov 13 2022 the picture of christmas is a brand new heartwarming christmas movie that is all set to be released this sunday november 13 2022 at 7 pm et exclusively on

the best christmas movies to watch in 2023 tv guide - May 24 2022

web allison picurro oct 31 2023 at 9 25 a m pt some say it s never too early to get into the christmas spirit if you re one of the many who s happy to just skip thanksgiving put

christmas movie hi res stock photography and images alamy - Nov 29 2022

web find the perfect christmas movie stock photo image vector illustration or 360 image find the perfect christmas movie stock photo image vector illustration or 360 image

İstanbul açık hava sinemaları oggusto - Jan 08 2021

web jun 1 2023 akmerkez her yıl olduğu gibi bu yıl da Üçgen teras ta açık hava sinemaları gerçekleştiriyor 19 temmuz 12 ağustos tarihleri arasında sinema severleri bir araya

50 best christmas movies ranked best festive films time out - Sep 27 2022

web oct 17 2023 19 carol 2015 it s already become a christmas classic for especially forward thinking families working for the first time with material developed by another

john lewis unveils 2023 christmas advert digital spy - Jun 12 2021

web 17 hours ago by emily stedman published 09 november 2023 the countdown to christmas has officially begun with british retailer john lewis unveiling their annual

25 best christmas movies on netflix screen rant - Oct 17 2021

web oct 7 2023 8 the holiday calendar 2018 kat graham and quincy jones star as best friends with an interest in photography in one of netflix s earliest and best christmas

the 100 best christmas movies of all time rotten tomatoes - Aug 27 2022

web 2 days ago batman returns 1992 81 28 critics consensus director tim burton s dark brooding atmosphere michael keaton s work as the tormented hero and the

100 mostly christmas movies from hallmark lifetime and - Mar 02 2023

web nov 24 2021 the christmas house 2 deck those halls the christmas house was famous last year for being the pigs flying movie for people who believed hallmark might

how to shop all the best buys from this year s john lewis - Nov 05 2020

web nov 9 2023 products are tested and reviewed independently of commercial initiatives the 2023 john lewis christmas advert is here featuring the sweet tale of a boy who

261 a christmas story movie photos high res pictures getty - Jul 26 2022

web browse getty images premium collection of high quality authentic a christmas story movie stock photos royalty free images and pictures a christmas story movie stock

the best 10 cinema in istanbul turkey yelp - Mar 10 2021

web cinemaximum one of the best cinemas in turkey not only do they have a imax theater they have 3 vip d box more 2 cinemotion 3 cinemaximum from most locations

the picture of christmas tv movie 2021 imdb - Aug 15 2021

web the picture of christmas tv movie 2021 cast and crew credits including actors actresses directors writers and more *christmas at the movies high res illustrations getty images* - Jun 05 2023

web find christmas at the movies stock illustrations from getty images select from premium christmas at the movies images of the highest quality

terrifier gets an official christmas collection collider - Jul 14 2021

web nov 2 2023 image via bloody disgusting the big picture terrifier 3 the next installment in the art the clown series will be a christmas slasher film adding to the beloved sub

christmas at the movies images of christmas in american - Oct 09 2023

web edited by jeffrey richards christmas at the movies images of christmas in american british and european cinema edited by mark connelly i b tauris publishers

christmas at the movies images of christmas in american - Oct 29 2022

web jan 6 2001 1 movie adaptations of a christmas carol 2 a hollywood carol s wonderful life 3 hollywood and the second world war 4 wartime christmas in britain 5 crisis

christmas movie photos and premium high res pictures getty - Aug 07 2023

web browse 12 010 authentic christmas movie stock photos high res images and pictures or explore additional christmas movie night or watching christmas movie stock images

christmas at the movies images of christmas in american - Sep 08 2023

web christmas at the movies images of christmas in american british and european cinema

where are you christmas photo recap hallmark channel - Jan 20 2022

web oct 23 2023 image credit hallmark channel the mom and pop roles in holiday movies are usually one note addy s father jim o heir and mother julie warner in where are

watching a christmas movie photos and premium high res - Jul 06 2023

web browse getty images premium collection of high quality authentic watching a christmas movie stock photos royalty free images and pictures watching a christmas movie

hallmark christmas movies see list descriptions of premieres - Feb 01 2023

web 13 hours ago title a heidelberg holiday channel hallmark channel stars ginna claire mason Frédéric Brossier plot a woman gets a chance to sell her handmade glass

man decorating home with christmas lights for 23 years can t - Oct 05 2020

web nov 8 2023 festive cheer picture jam press a man has spent 23 years growing his impressive seasonal decorations but sadly can t afford to put them up this year

the 22 best christmas movies to stream this holiday season - Apr 03 2023

web 16 hours ago back to obsessed what to watch the 22 best holiday movies and shows to watch this year from best christmas ever to family switch most

did peter billingsley buy the house from a christmas story - Dec 07 2020

web 17 hours ago although the movie wasn t a big box office success upon its initial release a christmas story has become

one of the most beloved holiday films of all time it tells

christmas at the movies images of christmas in american - Mar 22 2022

web jan 6 2001 1 movie adaptations of a christmas carol 2 a hollywood carol s wonderful life 3 hollywood and the second world war 4 wartime christmas in britain 5 crisis

16 025 christmas movie images stock photos vectors - Dec 31 2022

web find christmas movie stock images in hd and millions of other royalty free stock photos illustrations and vectors in the shutterstock collection thousands of new high quality

When somebody should go to the book stores, search launch by shop, shelf by shelf, it is in reality problematic. This is why we allow the book compilations in this website. It will extremely ease you to see guide **Forum Manual 159** as you such as.

By searching the title, publisher, or authors of guide you in reality want, you can discover them rapidly. In the house, workplace, or perhaps in your method can be all best area within net connections. If you target to download and install the Forum Manual 159, it is totally simple then, since currently we extend the join to buy and make bargains to download and install Forum Manual 159 consequently simple!

https://offsite.creighton.edu/files/virtual-library/Documents/hotel_employee_rate.pdf

https://offsite.creighton.edu/files/virtual-library/Documents/how_many_pages_does_fahrenheit_451_have.pdf

https://offsite.creighton.edu/files/virtual-library/Documents/homeschool_saxon_math.pdf

Table of Contents Forum Manual 159

1. Understanding the eBook Forum Manual 159
 - The Rise of Digital Reading Forum Manual 159
 - Advantages of eBooks Over Traditional Books
2. Identifying Forum Manual 159
 - Exploring Different Genres
 - Considering Fiction vs. Non-Fiction
 - Determining Your Reading Goals
3. Choosing the Right eBook Platform
 - Popular eBook Platforms
 - Features to Look for in an Forum Manual 159

- User-Friendly Interface
- 4. Exploring eBook Recommendations from Forum Manual 159
 - Personalized Recommendations
 - Forum Manual 159 User Reviews and Ratings
 - Forum Manual 159 and Bestseller Lists
- 5. Accessing Forum Manual 159 Free and Paid eBooks
 - Forum Manual 159 Public Domain eBooks
 - Forum Manual 159 eBook Subscription Services
 - Forum Manual 159 Budget-Friendly Options
- 6. Navigating Forum Manual 159 eBook Formats
 - ePub, PDF, MOBI, and More
 - Forum Manual 159 Compatibility with Devices
 - Forum Manual 159 Enhanced eBook Features
- 7. Enhancing Your Reading Experience
 - Adjustable Fonts and Text Sizes of Forum Manual 159
 - Highlighting and Note-Taking Forum Manual 159
 - Interactive Elements Forum Manual 159
- 8. Staying Engaged with Forum Manual 159
 - Joining Online Reading Communities
 - Participating in Virtual Book Clubs
 - Following Authors and Publishers Forum Manual 159
- 9. Balancing eBooks and Physical Books Forum Manual 159
 - Benefits of a Digital Library
 - Creating a Diverse Reading Collection Forum Manual 159
- 10. Overcoming Reading Challenges
 - Dealing with Digital Eye Strain
 - Minimizing Distractions
 - Managing Screen Time
- 11. Cultivating a Reading Routine Forum Manual 159
 - Setting Reading Goals Forum Manual 159

-
- Carving Out Dedicated Reading Time
12. Sourcing Reliable Information of Forum Manual 159
 - Fact-Checking eBook Content of Forum Manual 159
 - Distinguishing Credible Sources
 13. Promoting Lifelong Learning
 - Utilizing eBooks for Skill Development
 - Exploring Educational eBooks
 14. Embracing eBook Trends
 - Integration of Multimedia Elements
 - Interactive and Gamified eBooks

Forum Manual 159 Introduction

Free PDF Books and Manuals for Download: Unlocking Knowledge at Your Fingertips In today's fast-paced digital age, obtaining valuable knowledge has become easier than ever. Thanks to the internet, a vast array of books and manuals are now available for free download in PDF format. Whether you are a student, professional, or simply an avid reader, this treasure trove of downloadable resources offers a wealth of information, conveniently accessible anytime, anywhere. The advent of online libraries and platforms dedicated to sharing knowledge has revolutionized the way we consume information. No longer confined to physical libraries or bookstores, readers can now access an extensive collection of digital books and manuals with just a few clicks. These resources, available in PDF, Microsoft Word, and PowerPoint formats, cater to a wide range of interests, including literature, technology, science, history, and much more. One notable platform where you can explore and download free Forum Manual 159 PDF books and manuals is the internet's largest free library. Hosted online, this catalog compiles a vast assortment of documents, making it a veritable goldmine of knowledge. With its easy-to-use website interface and customizable PDF generator, this platform offers a user-friendly experience, allowing individuals to effortlessly navigate and access the information they seek. The availability of free PDF books and manuals on this platform demonstrates its commitment to democratizing education and empowering individuals with the tools needed to succeed in their chosen fields. It allows anyone, regardless of their background or financial limitations, to expand their horizons and gain insights from experts in various disciplines. One of the most significant advantages of downloading PDF books and manuals lies in their portability. Unlike physical copies, digital books can be stored and carried on a single device, such as a tablet or smartphone, saving valuable space and weight. This convenience makes it possible for readers to have their entire library at their fingertips, whether they are commuting, traveling, or simply enjoying a lazy afternoon at home. Additionally,

digital files are easily searchable, enabling readers to locate specific information within seconds. With a few keystrokes, users can search for keywords, topics, or phrases, making research and finding relevant information a breeze. This efficiency saves time and effort, streamlining the learning process and allowing individuals to focus on extracting the information they need. Furthermore, the availability of free PDF books and manuals fosters a culture of continuous learning. By removing financial barriers, more people can access educational resources and pursue lifelong learning, contributing to personal growth and professional development. This democratization of knowledge promotes intellectual curiosity and empowers individuals to become lifelong learners, promoting progress and innovation in various fields. It is worth noting that while accessing free Forum Manual 159 PDF books and manuals is convenient and cost-effective, it is vital to respect copyright laws and intellectual property rights. Platforms offering free downloads often operate within legal boundaries, ensuring that the materials they provide are either in the public domain or authorized for distribution. By adhering to copyright laws, users can enjoy the benefits of free access to knowledge while supporting the authors and publishers who make these resources available. In conclusion, the availability of Forum Manual 159 free PDF books and manuals for download has revolutionized the way we access and consume knowledge. With just a few clicks, individuals can explore a vast collection of resources across different disciplines, all free of charge. This accessibility empowers individuals to become lifelong learners, contributing to personal growth, professional development, and the advancement of society as a whole. So why not unlock a world of knowledge today? Start exploring the vast sea of free PDF books and manuals waiting to be discovered right at your fingertips.

FAQs About Forum Manual 159 Books

What is a Forum Manual 159 PDF? A PDF (Portable Document Format) is a file format developed by Adobe that preserves the layout and formatting of a document, regardless of the software, hardware, or operating system used to view or print it.

How do I create a Forum Manual 159 PDF? There are several ways to create a PDF: Use software like Adobe Acrobat, Microsoft Word, or Google Docs, which often have built-in PDF creation tools. Print to PDF: Many applications and operating systems have a "Print to PDF" option that allows you to save a document as a PDF file instead of printing it on paper. Online converters: There are various online tools that can convert different file types to PDF.

How do I edit a Forum Manual 159 PDF? Editing a PDF can be done with software like Adobe Acrobat, which allows direct editing of text, images, and other elements within the PDF. Some free tools, like PDFescape or Smallpdf, also offer basic editing capabilities.

How do I convert a Forum Manual 159 PDF to another file format? There are multiple ways to convert a PDF to another format: Use online converters like Smallpdf, Zamzar, or Adobe Acrobats export feature to convert PDFs to formats like Word, Excel,

JPEG, etc. Software like Adobe Acrobat, Microsoft Word, or other PDF editors may have options to export or save PDFs in different formats. **How do I password-protect a Forum Manual 159 PDF?** Most PDF editing software allows you to add password protection. In Adobe Acrobat, for instance, you can go to "File" -> "Properties" -> "Security" to set a password to restrict access or editing capabilities. Are there any free alternatives to Adobe Acrobat for working with PDFs? Yes, there are many free alternatives for working with PDFs, such as: LibreOffice: Offers PDF editing features. PDFsam: Allows splitting, merging, and editing PDFs. Foxit Reader: Provides basic PDF viewing and editing capabilities. How do I compress a PDF file? You can use online tools like Smallpdf, ILovePDF, or desktop software like Adobe Acrobat to compress PDF files without significant quality loss. Compression reduces the file size, making it easier to share and download. Can I fill out forms in a PDF file? Yes, most PDF viewers/editors like Adobe Acrobat, Preview (on Mac), or various online tools allow you to fill out forms in PDF files by selecting text fields and entering information. Are there any restrictions when working with PDFs? Some PDFs might have restrictions set by their creator, such as password protection, editing restrictions, or print restrictions. Breaking these restrictions might require specific software or tools, which may or may not be legal depending on the circumstances and local laws.

Find Forum Manual 159 :

hotel employee rate

~~how many pages does fahrenheit 451 have~~

~~homeschool saxon math~~

how long does the ap stats exam take

how much are kings island tickets at kroger

~~how close are we to shtf~~

homeopathy materia medica

how to calculate thc in edibles

how to be fearless under pressure

horngren's financial & managerial accounting

how many years did nelson mandela spend in prison

how to break your addiction to a person pdf

homeopathic sinus infection relief

how did postwar disillusionment contribute to mussolini's rise

how many films has quentin tarantino directed

Forum Manual 159 :