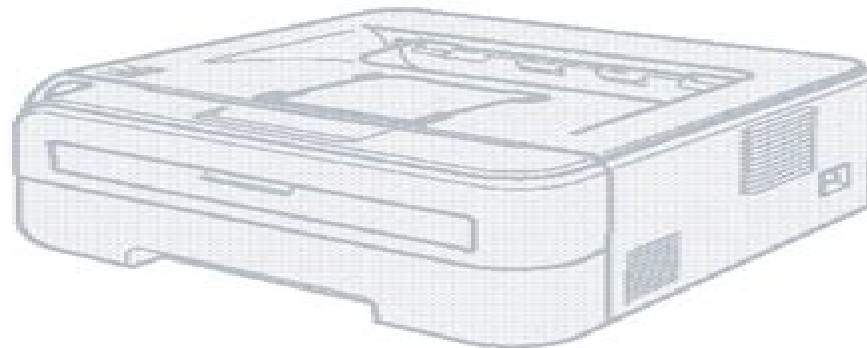




## Brother Laser Printer **SERVICE MANUAL**

---

**MODEL:  
HL-2140/2150N/2170W**



Read this manual thoroughly before maintenance work.  
Keep this manual in a convenient place for quick and easy reference at all times.

Sep 2007  
SM-PRN066  
B4UA0\*  
(1)

# Brother HL 2170w User Guide

**Steven Emanuel**



# Brother HL 2170w User Guide

*The OS X Mountain Lion Pocket Guide* Jeff Carlson, 2012-07-24 This low priced handy guide is packed with practical guidance for people who want to jump in and start using the OS X Mountain Lion Written by Jeff Carlson this essential companion features snappy writing eye catching graphics and a clean design to help readers get the most out of OS X Mountain Lion Jeff guides readers through Apple s OS X Mountain Lion showing you how to Download set up and starting using Mountain Lion Manage files with iCloud Swipe pinch and scroll Master Mountain Lion s Mult Touch gestures Install applications from the Mac App Store and stay safe with Gatekeeper Stay in touch Enjoy video calls with family and friends with FaceTime and chat them up with Messages Don t miss another email calendar alert or friend request with Notification Center Show off your gaming skills through Game Center In addition Jeff offers plenty of tips and tricks for getting the most from Mountain Lion

[Mac OS X Lion Pocket Guide](#) Jeff Carlson, 2011-07-21 The Mac OS X Lion Pocket Guide is an indispensable quick reference guide that is packed with bite sized chunks of practical information for people who want to jump in and start working and playing with OS X Lion The attractive price and accessible content make this the perfect learning companion and reference guide Written by Mac expert Jeff Carlson this essential guide features snappy writing eye catching graphics and an elegant design that walks readers through the most common OS X Lion tasks The Mac OS X Lion Pocket Guide covers all of the key new features of OS X Lion including Multi Touch Gestures Launchpad Mission Control the App Store Mail and much more

**OS X Mavericks: The Missing Manual** David Pogue, 2013-12-17 What do you get when you cross a Mac with an iPad OS X 10.9 Mavericks Its 200 new features include Mac versions of iPad goodies like Maps iBooks and iTunes Radio but not a single page of instructions Fortunately David Pogue is back with the expertise and humor that have made this the 1 bestselling Mac book for over 11 years straight The important stuff you need to know Big ticket changes Finder tabs Finder tags App Nap iCloud Keychain iTunes Radio Maps iBooks Automatic app updating If Apple wrote it this book covers it Nips and tucks This book demystifies the hundreds of smaller enhancements too in all 50 programs that come with the Mac Safari Mail Calendar Notification Center Messages Time Machine Shortcuts Meet the tippiest trickiest Mac book ever written Undocumented surprises await on every page Power users Security networking build your own Services file sharing with Windows even Mac OS X s Unix chassis this one witty expert guide makes it all crystal clear There s something new on practically every page of this edition and David Pogue brings his celebrated wit and expertise to every one of them

*PC Magazine*, 2008

**The Printers' Manual** Printers, 2019-03-23 This work has been selected by scholars as being culturally important and is part of the knowledge base of civilization as we know it This work was reproduced from the original artifact and remains as true to the original work as possible Therefore you will see the original copyright references library stamps as most of these works have been housed in our most important libraries around the world and

other notations in the work This work is in the public domain in the United States of America and possibly other nations Within the United States you may freely copy and distribute this work as no entity individual or corporate has a copyright on the body of the work As a reproduction of a historical artifact this work may contain missing or blurred pages poor pictures errant marks etc Scholars believe and we concur that this work is important enough to be preserved reproduced and made generally available to the public We appreciate your support of the preservation process and thank you for being an important part of keeping this knowledge alive and relevant

**Geometric Algebra for Electrical Engineers** Peeter Joot, 2019-01-29 This book introduces the fundamentals of geometric algebra and calculus and applies those tools to the study of electromagnetism Geometric algebra provides a structure that can represent oriented point line plane and volume segments Vectors which can be thought of as a representation of oriented line segments are generalized to multivectors A full fledged but non commutative i e order matters multiplication operation will be defined for products of vectors Namely the square of a vector is the square of its length This simple rule along with a requirement that we can sum vectors and their products essentially defines geometric algebra Such sums of scalars vectors and vector products are called multivectors The reader will see that familiar concepts such as the dot and cross product are related to a more general vector product and that algebraic structures such as complex numbers can be represented as multivectors We will be able to utilize generalized complex exponentials to do rotations in arbitrarily oriented planes in space and will find that simple geometric algebra representations of many geometric transformations are possible Generalizations of the divergence and Stokes theorems are required once we choose to work with multivector functions There is an unfortunate learning curve required to express this generalization but once overcome we will be left with a single powerful multivector integration theorem that has no analogue in conventional vector calculus This fundamental theorem of geometric calculus incorporates Green's area theorem the divergence theorem Stokes theorems and complex residue calculus Multivector calculus also provides the opportunity to define a few unique and powerful Green's functions that almost trivialize solutions of Maxwell's equations Instead of working separately with electric and magnetic fields we will work with a hybrid multivector field that includes both electric and magnetic field contributions and with a multivector current that includes both charge and current densities The natural representation of Maxwell's equations is a single multivector equation that is easier to solve and manipulate than the conventional mess of divergence and curl equations are familiar to the reader This book is aimed at graduate or advanced undergraduates in electrical engineering or physics While all the fundamental results of electromagnetism are derived from Maxwell's equations there will be no attempt to motivate Maxwell's equations themselves so existing familiarity with the subject is desirable

**Hand Bookbinding** Aldren A. Watson, 2012-04-20 **DIV** Expert illustrated guide to creating fine books by hand Materials and equipment basic procedures rebinding an old book more plus 8 projects dust jacket folio music binding manuscript binding 4 others div

*Keeping Hope Alive* Jackson, Sr., Rev. Jesse L. , 2020-01-09 Selected sermons and

speeches by Rev Jesse L Jackson Sr one of the foremost champions of civil rights a moral conscience of this nation

**Photojojo** Amit Gupta,Kelly Jensen,2011-07-27 A photo an idea and simple crafting skills are all you need to transform your pictures into useful fun giftable art With clear DIY instructions Photojojo by Amit Gupta and Kelly Jensen shows you how to turn your forgotten photos into ingenious photo projects Do you have lots of pics of friends and family you want to show off Make a sleek stylish photo display rail so you can change them up at a moment s notice Need something to play with Make photo slider puzzles Rubik s cubes and temporary tattoos Or spruce up your pad with a photo chandelier or a giant wall mural you can print at home All the projects use basic materials and are easy enough to whip up in an afternoon Once you re armed with what you can do with all your images check out Photojojo s inspiring ideas to get you shooting photographs more creatively Investigate the world from a canine perspective with the amazing doggie cam or grab your friends and head out on a photo safari Make a sneaky hidden jacket camera and turn string a washer and a screw into a monopod that fits in your pocket MacGyver style Learn how to motivate yourself to take a photo every day with project 365 or get the little ones involved with Photojojo s head spinning photography method because you kid centrifugal force awesome Yep photography just became a whole lot more fun [Meditations on the Lord's Prayer](#) Arthur Crawshay Alliston Hall,1884 *The FreeBSD Handbook* Walnut Creek CD-ROM,2000-05-31 The FreeBSD Handbook is a comprehensive FreeBSD tutorial and reference It covers installation day to day use of FreeBSD Ports collection creating a custom kernel security topics the X Window System how to use FreeBSD s Linux binary compatibility and how to upgrade your system from source using the make world command *The Hardware Hacker* Andrew Bunnie Huang,2019-08-27 For over a decade Andrew bunnie Huang one of the world s most esteemed hackers has shaped the fields of hacking and hardware from his cult classic book Hacking the Xbox to the open source laptop Novena and his mentorship of various hardware startups and developers In The Hardware Hacker Huang shares his experiences in manufacturing and open hardware creating an illuminating and compelling career retrospective Huang s journey starts with his first visit to the staggering electronics markets in Shenzhen with booths overflowing with capacitors memory chips voltmeters and possibility He shares how he navigated the overwhelming world of Chinese factories to bring chumby Novena and Chibitronics to life covering everything from creating a Bill of Materials to choosing the factory to best fit his needs Through this collection of personal essays and interviews on topics ranging from the legality of reverse engineering to a comparison of intellectual property practices between China and the United States bunnie weaves engineering law and society into the tapestry of open hardware With highly detailed passages on the ins and outs of manufacturing and a comprehensive take on the issues associated with open source hardware The Hardware Hacker is an invaluable resource for aspiring hackers and makers *The Worcester Magazine* ,1843 **Strategies and Tactics for the MBE 2** Steven Emanuel,2020-04-30 A comprehensive resource created in the successful style of Strategies all are actual past MBE questions with detailed answers written by Steve Emanuel Key features include Over 375 additional

questions and answers not found in Strategies plus Civil Procedure questions in MBE format written by Steve Emanuel

**The Chinese Consumer Market** Lei Tang, 2009-04-29 The Chinese Consumer Market examines the changing consumer business environment in China and offers predictions about the evolution of the Chinese consumer market in the different sectors as well as the likely strategic implications for global consumer oriented companies The first book is in English made by Chinese researchers with a Chinese viewpoint of developments Provides the management implications in different sectors of the Chinese economy Predicts future trends *Examining the Changing Role of Supervision in Doctoral Research Projects* Annette Lerine Steenkamp, 2017 Academic research projects contribute to many advancements in modern life Thus the supervision of such works on the doctoral level is extremely important and must constantly evolve in order to help disseminate the most accurate information available *Examining the Changing Role of Supervision in Doctoral Research Projects* Emerging Research and Opportunities is a pivotal scholarly resource that examines the current practices that research supervisors adhere to and outlines innovative ways that these techniques can be improved upon Covering relevant topics such as study environments technology support research networks and research design this publication is ideal for academics graduate students and researchers that are interested in discovering a more streamlined method of supervision for research works [PMR English](#) ,

Arena Spectacles - Classics Argues that arena spectacles were a mechanism for linking center and periphery in the Roman Empire, spreading Roman culture, and establishing civic order. Arena Spectacles: Oxford Bibliographies Online Research ... This ebook is a selective guide designed to help scholars and students of the ancient world find reliable sources of information by directing them to the ... Arena Spectacles: Oxford Bibliographies Online Research Guide This ebook is a selective guide designed to help scholars and students of the ancient world find reliable sources of information by directing them to the ... Arena Spectacles: Oxford Bibliographies Online Research ... This ebook is a selective guide designed to help scholars and students of the ancient world find reliable sources of information by directing them to the. Arena Spectacles Oxford Bibliographies Online Research Guide ... E. Norman Gardiner 2012-06-11 Concise, convincing book emphasizes relationship between Greek and Roman athletics and religion, art, and education. Arena Spectacles: Oxford Bibliographies Online Research ... Read reviews from the world's largest community for readers. The Roman games: A sourcebook. Malden, MA: Blackwell. Includes Ancient sources in translation... Arena Spectacles: Oxford Bibliographies Online Research Guide Arena Spectacles: Oxford Bibliographies Online Research Guide is written by Kathleen Coleman and published by Oxford University Press, USA. Oxford Bibliographies Online | The New York Public Library A collection of research guides for a wide variety of subjects. Includes topic overviews and annotated bibliographies. JP 07.19 Online Roman city life Oxford Bibliographies: Arena Spectacles, DOI: 10.1093/OBO/9780195389661-0004 - ... (eds.), Oxford Handbook of Roman Studies,.

Oxford: OUP, 651-70. Coleman, K ... Sport-Classics (Oxford Bibliographies Online) Offering a wealth of insights to our current understanding of the role of sport and spectacle in the ancient world, "A Companion to Sport and Spectacle in Greek ... IKCO SAMAND SERVICE MANUAL Pdf Download View and Download Ikco SAMAND service manual online. SAMAND automobile pdf manual download. Also for: Xu7jpl3. IKCO SAMAND OWNER'S MANUAL Pdf Download Automobile Ikco SAMAND Service Manual. (216 pages). Samand Ef7 Electrical Manual | PDF | Switch | Relay Samand Ef7 Electrical Manual - Free download as PDF File (.pdf), Text File (.txt) or read online for free. SAMAND MANUAL ELECTRICAL. Ikco Samand Repair & Service Manuals (4 PDF's Ikco Samand service PDF's covering routine maintenance and servicing; Detailed Ikco Samand Engine and Associated Service Systems (for Repairs and Overhaul) (PDF) ... Iran Khodro Samand LX/EL/TU (2004-present) service ... Iran Khodro Samand LX/EL/TU (2004)-guide the repair, maintenance and operation of the vehicle. Samand LX/EL/TU with-2004 repair manual, ... Iran Khodro Samand LX Owner Manual - manualzz.com SAMAND SAMAND SAMAND LX SAMAND EL Owner's Manual This manual has been prepared to inform you of how to optimize the use of the vehicle and contains ... IKCO Iran Khodro Samand Manuals PDF - Free Car Owner's & Service Repair Manuals PDF;. - Cars Electric Wiring Diagrams, Schematics;. - Vehicle Fault Codes DTC (Diagnostic Trouble Code) list. Iran Khodro Samand LX. Service Manual - part 2 Iran Khodro Samand LX. Service Manual - part 2 · 1- Pull up the lever · 2- Slide the seat to the favored position. (by pressing your weight) · 3- Release the ... Книга: Iran Khodro Samand модели с 2000 года выпуска, ... Book: Iran Khodro Samand (Iran hodro Samand). Repair Manual, instruction manual, parts catalog. Models since 2000 of production equipped with gasoline engines. SL4640 SL4840 SL5640 SL6640 Skid-Steer Loaders Operators must have instructions before running the machine. Untrained operators can cause injury or death. Read Operator's Manual before using machine. CORRECT. Service Manual Gehl SL3510 SL3610 Skid Steer Loader Service Manual Gehl SL3510 SL3610 Skid Steer Loader · Book details · Product information · Important information · Additional DetailsAdditional Details. Skid Steer Loader Manuals & Books for Gehl Get the best deals on Skid Steer Loader Manuals & Books for Gehl when you shop the largest online selection at eBay.com. Free shipping on many items ... Gehl 000-88025 Service Manual Home /; Product details /; Service Manual. Share Print. Service Manual - 0. Gehl. Service Manual. SKU: 000-88025. See Full Details. Availability varies Gehl Heavy Equipment Manuals & Books for Gehl Skid ... Get the best deals on Gehl Heavy Equipment Manuals & Books for Gehl Skid Steer Loader when you shop the largest online selection at eBay.com. Gehl Manuals | Parts, Service, Repair and Owners Manuals Gehl manuals are a must for the DIY person, offering part numbers, service and repair information, as well as original owners / operators instructions and ... Gehl SL3510 Skid Steer Loader Service Manual Our Repair Manual, also known as service manual or shop manual show you how to disassemble and reassemble your tractor. These manuals are authentic ... All Gehl Manuals All Gehl Service Repair & Operator & Owner Manuals. Gehl CTL75 Compact Track Loader Service Repair Manual. \$45.00. Gehl CTL80 Compact Track Loader Service ... Service Manual fits Gehl SL3610

SL3510 Compatible with Gehl Skid Steer Loader(s) SL3510, SL3610; Chassis Only; Pages: 100; Numbered pictures give great detail on assembly and disassembly ... Gehl Skid Steer Service Manual A-GE-S-5625 346 pages - Gehl 5625 Skid Loader (S/N 8868 and UP) Service Manual (SVC); Pages : 346. Sections and Models: Manuals > Manuals; Gehl SKID STEER LOADER: 5625 ...



Immerse yourself in heartwarming tales of love and emotion with Crafted by is touching creation, **Brother HI 2170w User Guide** . This emotionally charged ebook, available for download in a PDF format ( \*), is a celebration of love in all its forms. Download now and let the warmth of these stories envelop your heart.

[https://offsite.creighton.edu/files/virtual-library/Documents/has\\_anyone\\_caught\\_the\\_leprechaun.pdf](https://offsite.creighton.edu/files/virtual-library/Documents/has_anyone_caught_the_leprechaun.pdf)

[https://offsite.creighton.edu/files/virtual-library/Documents/hashimotos\\_aip\\_diet.pdf](https://offsite.creighton.edu/files/virtual-library/Documents/hashimotos_aip_diet.pdf)

[https://offsite.creighton.edu/files/virtual-library/Documents/histamine\\_intolerance\\_and\\_endometriosis.pdf](https://offsite.creighton.edu/files/virtual-library/Documents/histamine_intolerance_and_endometriosis.pdf)

## **Table of Contents Brother HI 2170w User Guide**

1. Understanding the eBook Brother HI 2170w User Guide
  - The Rise of Digital Reading Brother HI 2170w User Guide
  - Advantages of eBooks Over Traditional Books
2. Identifying Brother HI 2170w User Guide
  - Exploring Different Genres
  - Considering Fiction vs. Non-Fiction
  - Determining Your Reading Goals
3. Choosing the Right eBook Platform
  - Popular eBook Platforms
  - Features to Look for in an Brother HI 2170w User Guide
  - User-Friendly Interface
4. Exploring eBook Recommendations from Brother HI 2170w User Guide
  - Personalized Recommendations
  - Brother HI 2170w User Guide User Reviews and Ratings

- Brother HL 2170w User Guide and Bestseller Lists
- 5. Accessing Brother HL 2170w User Guide Free and Paid eBooks
  - Brother HL 2170w User Guide Public Domain eBooks
  - Brother HL 2170w User Guide eBook Subscription Services
  - Brother HL 2170w User Guide Budget-Friendly Options
- 6. Navigating Brother HL 2170w User Guide eBook Formats
  - ePub, PDF, MOBI, and More
  - Brother HL 2170w User Guide Compatibility with Devices
  - Brother HL 2170w User Guide Enhanced eBook Features
- 7. Enhancing Your Reading Experience
  - Adjustable Fonts and Text Sizes of Brother HL 2170w User Guide
  - Highlighting and Note-Taking Brother HL 2170w User Guide
  - Interactive Elements Brother HL 2170w User Guide
- 8. Staying Engaged with Brother HL 2170w User Guide
  - Joining Online Reading Communities
  - Participating in Virtual Book Clubs
  - Following Authors and Publishers Brother HL 2170w User Guide
- 9. Balancing eBooks and Physical Books Brother HL 2170w User Guide
  - Benefits of a Digital Library
  - Creating a Diverse Reading Collection Brother HL 2170w User Guide
- 10. Overcoming Reading Challenges
  - Dealing with Digital Eye Strain
  - Minimizing Distractions
  - Managing Screen Time
- 11. Cultivating a Reading Routine Brother HL 2170w User Guide
  - Setting Reading Goals Brother HL 2170w User Guide
  - Carving Out Dedicated Reading Time
- 12. Sourcing Reliable Information of Brother HL 2170w User Guide
  - Fact-Checking eBook Content of Brother HL 2170w User Guide
  - Distinguishing Credible Sources

13. Promoting Lifelong Learning
  - Utilizing eBooks for Skill Development
  - Exploring Educational eBooks
14. Embracing eBook Trends
  - Integration of Multimedia Elements
  - Interactive and Gamified eBooks

### **Brother HL 2170w User Guide Introduction**

In the digital age, access to information has become easier than ever before. The ability to download Brother HL 2170w User Guide has revolutionized the way we consume written content. Whether you are a student looking for course material, an avid reader searching for your next favorite book, or a professional seeking research papers, the option to download Brother HL 2170w User Guide has opened up a world of possibilities. Downloading Brother HL 2170w User Guide provides numerous advantages over physical copies of books and documents. Firstly, it is incredibly convenient. Gone are the days of carrying around heavy textbooks or bulky folders filled with papers. With the click of a button, you can gain immediate access to valuable resources on any device. This convenience allows for efficient studying, researching, and reading on the go. Moreover, the cost-effective nature of downloading Brother HL 2170w User Guide has democratized knowledge. Traditional books and academic journals can be expensive, making it difficult for individuals with limited financial resources to access information. By offering free PDF downloads, publishers and authors are enabling a wider audience to benefit from their work. This inclusivity promotes equal opportunities for learning and personal growth. There are numerous websites and platforms where individuals can download Brother HL 2170w User Guide. These websites range from academic databases offering research papers and journals to online libraries with an expansive collection of books from various genres. Many authors and publishers also upload their work to specific websites, granting readers access to their content without any charge. These platforms not only provide access to existing literature but also serve as an excellent platform for undiscovered authors to share their work with the world. However, it is essential to be cautious while downloading Brother HL 2170w User Guide. Some websites may offer pirated or illegally obtained copies of copyrighted material. Engaging in such activities not only violates copyright laws but also undermines the efforts of authors, publishers, and researchers. To ensure ethical downloading, it is advisable to utilize reputable websites that prioritize the legal distribution of content. When downloading Brother HL 2170w User Guide, users should also consider the potential security risks associated with online platforms. Malicious actors may exploit vulnerabilities in unprotected websites to distribute malware or steal personal information. To protect themselves, individuals should ensure their devices have reliable antivirus software installed and

validate the legitimacy of the websites they are downloading from. In conclusion, the ability to download Brother HL 2170w User Guide has transformed the way we access information. With the convenience, cost-effectiveness, and accessibility it offers, free PDF downloads have become a popular choice for students, researchers, and book lovers worldwide. However, it is crucial to engage in ethical downloading practices and prioritize personal security when utilizing online platforms. By doing so, individuals can make the most of the vast array of free PDF resources available and embark on a journey of continuous learning and intellectual growth.

### **FAQs About Brother HL 2170w User Guide Books**

How do I know which eBook platform is the best for me? Finding the best eBook platform depends on your reading preferences and device compatibility. Research different platforms, read user reviews, and explore their features before making a choice. Are free eBooks of good quality? Yes, many reputable platforms offer high-quality free eBooks, including classics and public domain works. However, make sure to verify the source to ensure the eBook credibility. Can I read eBooks without an eReader? Absolutely! Most eBook platforms offer web-based readers or mobile apps that allow you to read eBooks on your computer, tablet, or smartphone. How do I avoid digital eye strain while reading eBooks? To prevent digital eye strain, take regular breaks, adjust the font size and background color, and ensure proper lighting while reading eBooks. What the advantage of interactive eBooks? Interactive eBooks incorporate multimedia elements, quizzes, and activities, enhancing the reader engagement and providing a more immersive learning experience. Brother HL 2170w User Guide is one of the best book in our library for free trial. We provide copy of Brother HL 2170w User Guide in digital format, so the resources that you find are reliable. There are also many Ebooks of related with Brother HL 2170w User Guide. Where to download Brother HL 2170w User Guide online for free? Are you looking for Brother HL 2170w User Guide PDF? This is definitely going to save you time and cash in something you should think about.

### **Find Brother HL 2170w User Guide :**

*has anyone caught the leprechaun*

[hashimoto's aip diet](#)

[histamine intolerance and endometriosis](#)

[health care risk management plan](#)

*hayward pool pump*

*hazmat license florida*

**hidden picture pdf**

**hockey edge drills**

**health force liver rescue**

*history lessons for 6th graders*

*high resolution ct of the lung*

*history of juggling*

*hipaa compliance resume*

haywire twist knot

heroes and legends wrestling

**Brother HI 2170w User Guide :**