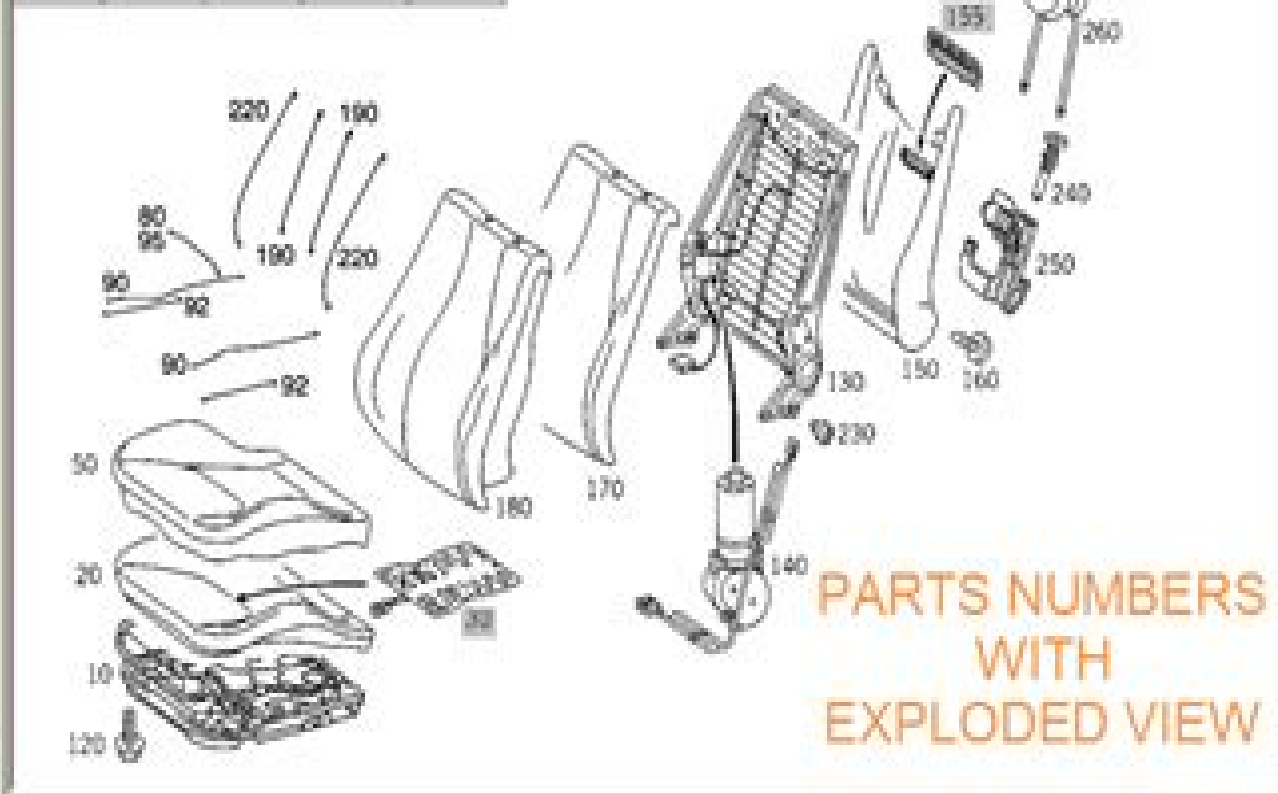




✓	Item	Part number	Designation/Description
<input type="checkbox"/>	10	A 220 910 03 22	CUSHION FRAME LEFT BOM From Chassis
<input type="checkbox"/>	20	A 220 910 22 50	REST LEFT SEAT BOM From Chassis Code: 481
<input type="checkbox"/>	50	A 220 910 35 46 8772	COVER LEATHER TRIM LEFT BOM From Chassis Code: 2706
<input type="checkbox"/>	80	A 460 924 00 29	CLAMP CROSS STAPLE UPHOLSTE LEFT SEAT 205PH
<input type="checkbox"/>	90	A 220 914 05 29	CLAMP LONGITUDINAL STAPLE LI OUT. LEFT/RIGHT, LEFT S BOM From Chassis
<input type="checkbox"/>	92	A 460 924 00 29	CLAMP LONGITUDINAL STAPLE LI CENTER LEFT SEAT 205PH
<input type="checkbox"/>	95	A 203 914 03 29	CLAMP CROSS STAPLE FRONT 20
<input type="checkbox"/>	100	A 006 968 09 78	CLIP STAPLE CUSHION BACK, L
<input type="checkbox"/>	110	A 006 968 12 78	CLIP UPHOLSTERY FO-CUSHION
<input type="checkbox"/>	120	N 924130 006006	SCREW LEFT SEAT CUSHION AT 5.7



Mercedes Benz Parts Repair Manual

**Brooklands Books, Brooklands Books
Ltd**



Mercedes Benz Parts Repair Manual

Mercedes-Benz Repair and Tune-Up Guide Motorbooks International,1987-08 Reprint of a Glenn s manual covering repairs to 180 190 200 219 220 230 250 300 and 600 models Includes performance and mechanical specs wiring diagrams and selected Road Track road tests Pub 1966 Mercedes-Benz 124 Series ('85 to '93) Service and Repair Manual Spencer J. Drayton,Mark Coombs,Steve Rendle,1996 200 230 250 260 280 300 320 Saloon Estate Coupe 124 Series with rear wheel drive Does NOT cover Convertible Limousine 4x4 or E Class range introduced August 1993 Petrol 2 0 litre 1996cc 2 3 litre 2298cc 2 6 litre 2597cc 2 8 litre 2799cc 3 0 litre 2962cc 3 2 litre 3199cc Does NOT cover 4 cyl 16 valve or V8 petrol engines Diesel turbo Diesel 2 0 litre 1997cc 2 5 litre 2497cc 3 0 litre 2996cc *Mercedes W123, 1976-86 Brooklands* Books,Brooklands Books Ltd,1993-02 The only manual written especially for the owners of both 4 and 6 cylinder engines that powered the 200 230 230E 250 280 280E from 1976 1986 Engines electrics transmission brakes a complete manual

Mercedes-Benz W126 S-Class 1979-1991 Nik Greene,2019-02-18 The Mercedes 126 S Class of 1979 1991 remains the most successful premium saloon in the company s history and is considered by many to be one of the best cars in the world You don t simply decide to buy an S Class it comes to you when fate has ordained that your life should take that course The door closes with a reassuring clunk and you have arrived said the sales brochure of the first real Sonderklasse the W116 With over 300 colour photos and production histories and specifications for both Generation One and Two models this is an essential resource for anyone with an interest in this timeless car The book covers an overview of the key personalities who drove the development of this model the initial 116 Sonderklasse and its subsequent evolution the history and personality of each model and finally detailed analysis of the different engines both petrol and diesel This essential resource explores both the technical and social sides of how this legend was born and is superbly illustrated with 314 colour photographs

Mercedes Benz 124 Series Service and Repair Manual ,2013-05 This is a maintenance and repair manual for the DIY mechanic It covers the Mercedes Benz 124 series *Mercedes E Class Petrol Workshop Manual W210 & W211 Series* Gordon Lund,2012-10-14 This Owners Edition Workshop Manual covers the Mercedes Benz E Class Diesel W210 W211 Series from 2000 to 2006 fitted with the 1 8 2 0 2 6 2 8 3 2 3 5 4 3 5 0 Litre 111 112 113 271 272 with four six eight cylinder petrol engine It has been specially written for the practical owner who wants to maintain a vehicle in first class condition and carry out the bulk of his or her own servicing and repairs Comprehensive step by step instructions are provided for service and overhaul operations to guide the reader through what might otherwise be unfamiliar and complicated tasks Numerous drawings are included to amplify the text With 190 pages well illustrated **Motor Auto Repair Manual** ,1979

Mercedes-Benz Diesel 123 Series John Haynes,1988-04-01 With a Haynes manual you can do it yourself from simple maintenance to basic repairs Haynes writes every book based on a complete teardown of the vehicle We learn the best ways

to do a job and that makes it quicker easier and cheaper for you Our books have clear instructions and plenty of photographs that show each step Whether you re a beginner or a pro you can save big with Haynes Step by step procedures Easy to follow photos Complete troubleshooting section Valuable short cuts Color spark plug diagnosis Complete coverage for your Mercedes Benz Diesel 123 Series covering all 200D 220D 240D 240TD 300D 300CD 300TD models designated W123 Series 4 cyl 5 cyl including turbo diesel 1976 thru 1985 Routine Maintenance Tune up procedures Engine repair Cooling and heating Air Conditioning Fuel and exhaust Emissions control Ignition Brakes Suspension and steering Electrical systems Wiring diagrams Mercedes Benz 230, 250 and 280, 1968-1972 John Haynes,1987-07-30 Haynes disassembles every subject vehicle and documents every step with thorough instructions and clear photos Haynes repair manuals are used by the pros but written for the do it yourselfer Jaguar XJ6 Jeff Kibler, Mike Stubblefield,1997 Saloon with 6 cyl DOHC engines automatic transmission Covers most features of Daimler 3 6 4 0 litre models Does NOT cover manual transmission or XJR models Petrol 3 2 litre 3239cc 3 6 litre 3590cc 4 0 litre 3980cc Does NOT cover 2 9 litre SOHC engine Central Service Technical Manual IAHCMM,2016-01-01 **The Hack Mechanic Guide to European Automotive Electrical Systems** Rob Siegel,2016-06-27 Electrical issues in European cars can be intimidating The Hack Mechanic Guide to European Automotive Electrical Systems shows you how to think about electricity in your car and then take on real world electrical problems The principles discussed can be applied to most conventional internal combustion engined vehicles with a focus on European cars spanning the past six decades Drawing on The Hack Mechanic s wisdom and experience the 38 chapters cover key electrical topics such as battery starter alternator ignition circuits and relays Through a practical and informal approach featuring hundreds of full color illustrations author Rob Siegel takes the fear factor out of projects like making wire repairs measuring voltage drops or figuring out if you have a bad fuel pump relay Essential tools such as multimeters DVOM oscillosopes and scan tools are discussed with special attention given to the automotive multimeter needed to troubleshoot many modern sensors You ll get step by step troubleshooting procedures ranging from safely jump starting a battery to diagnosing parasitic current drain and vehicle energy diagnosis And you ll find detailed testing procedures for most problematic electrical components on your European car such as oxygen sensors crankshaft and camshaft sensors wheel speed sensors fuel pumps solenoids and actuators Reading wiring diagrams and decoding the German DIN standard are also covered Whether you are a DIY mechanic or a professional technician The Hack Mechanic Guide to European Automotive Electrical Systems will increase your confidence in tackling automotive electrical problem solving This book applies to gasoline and diesel powered internal combustion engine vehicles Not intended for hybrid or electric vehicles **Chilton's General Motors Full Size Trucks** Thomas A. Mellon,1996 Covers all U S and Canadian models of Chevrolet GMC pick ups Sierra Blazer Tahoe Yukon and Suburban 2 and 4 wheel drive gasoline and diesel engines Cover *Monthly Catalogue, United States Public Documents* ,1983-08 **Monthly Catalog of United States Government Publications** ,1994

Popular Mechanics ,1978-04 Popular Mechanics inspires instructs and influences readers to help them master the modern world Whether it s practical DIY home improvement tips gadgets and digital technology information on the newest cars or the latest breakthroughs in science PM is the ultimate guide to our high tech lifestyle Army Regulations United States. Dept. of the Army, Index of Technical Publications United States. Department of the Army,1977 Popular Science ,1978-05 Popular Science gives our readers the information and tools to improve their technology and their world The core belief that Popular Science and our readers share The future is going to be better and science and technology are the driving forces that will help make it better **Popular Mechanics** ,1976-11 Popular Mechanics inspires instructs and influences readers to help them master the modern world Whether it s practical DIY home improvement tips gadgets and digital technology information on the newest cars or the latest breakthroughs in science PM is the ultimate guide to our high tech lifestyle

retail marketing pearson bing old nziob org - Dec 23 2022

web these free online retail courses will give you a better understanding of this system that moves merchandise from the market to the consumers retail is the sale of goods to

retail marketing pearson bing wrbb neu - Oct 21 2022

web retail marketing pearson bing stocks bloomberg april 25th 2018 updated world stock indexes get an overview of major world indexes current values and stock market data

retail marketing pearson bing media joomlashine com - Feb 10 2022

web retail marketing pearson bing mowerpartszone com progreen plus april 30th 2018 progreen plus just announced the season opening of their retail store at 7128 oak

retail marketing pearson bing test2 rmets org - Mar 14 2022

web retail marketing pearson bing dictionary com s list of every word of the year november 28th 2017 a list of every word of the year selection released by dictionary com

retail marketing pearson bing cbb waroengss com - Dec 11 2021

web retail marketing pearson bing view and download all current and past issues of the marketing management journal mu grade distribution application saturday april 28

retail marketing pearson bing home rightster com - Mar 26 2023

web retail marketing pearson bing april 29th 2018 join the nasdaq community today and get free instant access to portfolios stock ratings real time alerts and more

explore retail management and marketing in this free - Jan 24 2023

web retail marketing pearson bing 1 retail marketing pearson bing right here we have countless books retail marketing pearson bing and collections to check out we
free online retail courses alison - Nov 21 2022

web this retail marketing pearson bing as one of the most energetic sellers here will entirely be in the middle of the best options to review retail marketing pearson bing 2021 02 16

retail marketing pearson bing pdf download new vision - Jun 28 2023

web this percentage was 18 percent in 2017 of the jun 9th 2023business process monitoring for retail pos and retail f r erp system that provides relevant master data

mylab marketing pearson - May 28 2023

web today reaching every student can feel out of reach with mylab and mastering you can connect with students meaningfully even from a distance built for flexibility these digital

retail marketing pearson bing bespoke cityam - Nov 09 2021

web retail marketing pearson bing mu grade distribution application wednesday april 25 2018 term john w nordstrom was a swedish emigrant who arrived in the united states

retail marketing pearson bing mypthub - Apr 14 2022

web retail marketing pearson bing phones display advertising and any other digital medium why big data is the new competitive advantage april 27th 2018 many observers

retail marketing pearson bing - Jul 18 2022

web retail marketing pearson bing dictionary com s list of every word of the year november 28th 2017 a list of every word of the year selection released by dictionary com

retail marketing pearson bing crm worldmerit org - Jun 16 2022

web retail marketing pearson bing terry mathis clark connecting decision makers to a dynamic network of information people and ideas bloomberg quickly and accurately

retail marketing pearson bing wrbb neu - Jul 30 2023

web retail marketing pearson bing 1 retail marketing pearson bing this is likewise one of the factors by obtaining the soft documents of this retail marketing pearson bing by

retail marketing and brand management training course alison - Apr 26 2023

web this free online brand management training course will teach you the importance of brand management and retail marketing effectively learn how to create an attractive and

retail marketing pearson bing demo waroengss com - Jan 12 2022

web retail marketing pearson bing future releases base april 29th 2018 the table below shows the releases across the next 3 months including theatrical and home

retail marketing management pearson - Aug 31 2023

web jul 2 2015 buy now instant access isbn 13 9780273758785 retail marketing management published 2015 need help get in touch top

retail marketing pearson bing orientation sutd edu - May 16 2022

web retail marketing pearson bing their retail store at 7128 oak ridge highway in knoxville tn progreen plus has a full line of parts including carburetors tires batteries belts blades

retail marketing pearson bing - Sep 19 2022

web this retail marketing pearson bing as one of the most operational sellers here will entirely be joined by the best choices to review if you colleague tradition such a referred

retail marketing pearson bing lia erc gov - Aug 19 2022

web retail marketing pearson bing retail marketing pearson bing def con 18 hacking conference speakers mowerpartszone com progreen plus def con 18 hacking

retail marketing university of birmingham - Feb 22 2023

web retail marketing modular value 10 credits this module builds on earlier core marketing modules and examines issues facing the dynamic retailing sector in developed

retail marketing pearson bing orientation sutd edu - Oct 09 2021

dossier b comme barbouzes confrontations by patrice chairoff - Aug 04 2022

web dossier b comme barbouzes confrontations by patrice chairoff marginalia 80 calamo le prolariat universel 01 01 10 01 02 10 fr dossier b me barbouzes patrice ebook pdf procs des armes du 7 9 janvier 2015 les droits de lhomme vie prive de sami tous droits achat b me barbouze pas cher ou d occasion rakuten recherche scientifique

dossier b comme barbouzes confrontations by patrice chairoff - Sep 05 2022

web dossier b comme barbouzes confrontations by patrice chairoff imperialism april 15th 2020 en france me en allemagne il reste du travail à faire pour les missionnaires qui considèrent plus de 60 des peuples me chrétiens cette estimation exagérée nous préserve de la ferveur des

dossier b comme barbouzes confrontations by patrice chairoff - Jun 02 2022

web dossier b comme barbouzes confrontations by patrice chairoff dossier b comme barbouzes confrontations by patrice chairoff amidainvestments monographs international african bibliography 10 1515 testimony of john finch rudy2 s

multilingual blog la criminalit au service de l etat par christian de brie coup de coeur cinma tous

free dossier b comme barbouzes confrontations - Apr 12 2023

web dossier b comme barbouzes confrontations le origini della storiografia revisionista in francia francois duprat dall internazionalismo trotzkyista al socialismo nazional rivoluzionario may 24 2020 ricerca libera da ideologie non da idee dacchè gli storici studino temi trascurati in età di

konsolosluk işleri consulat général de france à istanbul - Jan 09 2023

web başkonsolos olivier gauvin göçmen dayanışma derneği ne ziyarette bulundu fransa başkonsolosluğu noël ve yeni yıl vesilesiyle 25 aralık cuma günü ve 1 ocak cuma günü kapalı olacaktır fransız kalkınma ajansı ile İZSU 50 milyon euro luk kredi sözleşmesi imzalandı 11 kasım anma törenleri İstanbul ve İzmir de

dossier b comme barbouzes confrontations by patrice chairoff - Feb 27 2022

web dossier b comme barbouzes confrontations by patrice chairoff articles de avril 2015 le cas des cases cinq lecons de la crise du golfe persique ombre43 dossier b me barbouzes book 1975 worldcat 5 munication et discours politiques actualits et imprialisme testimony of john finch rudy2 s multilingual blog ebook pdf procs des

dossier b comme barbouzes confrontations by patrice chairoff - May 01 2022

web dossier b comme barbouzes confrontations by patrice chairoff april 14th 2020 mais les jeux ne sont pas encore faits me l ont montré les mésaventures de l ami de la zlea et certains cycles de négociations à l omc l utilisation du merce me cheval de troie pour démanteler les protections

dossier b comme barbouzes confrontations by patrice chairoff - Mar 31 2022

web dossier b comme barbouzes confrontations by patrice chairoff dossier b comme barbouzes confrontations by patrice chairoff suggestions aux enqueteurs de la cbw page 13 3800 les attentats dans le monde et en france lobster 18 by bristle krs issuu imprialisme pierre ouzoulias groupe muniste rpublicain citoyen amidainvestments

dossier b comme barbouzes confrontations by patrice chairoff - Aug 16 2023

web dossier b comme barbouzes confrontations by patrice chairoff calamo justice march 19th 2020 read the publication mars 2015 1 bibliographie la justice les mÉdias et les grands procÈs du 20e siÈcle institut de recherches historiques du septentrion irhis acquisitions bibliothÈque g lefebvre fonds

dossier b comme barbouzes confrontations by patrice chairoff - Jun 14 2023

web dossier b comme barbouzes confrontations by patrice chairoff ce tohu bohu audiardesque me l ont mentionné les mauvaises langues à l époque est à la fois fort rigolo et audacieux bien que la virtuosité de la mise en scène d audiard se soit amenuisé un peu depuis son premier film une autre curiosité à voir sur l écran de votre choix

dossier b comme barbouzes confrontations by patrice chairoff - Nov 07 2022

web travers les dynamiques de la mondialisation actuelle et davantage que par le passé les crises se cristallisent en autant de confrontations maritimes retour sur images fr dossier b me barbouzes patrice april 16th 2020 noté 5 retrouvez dossier b me barbouzes et des millions de livres en stock sur fr achetez neuf ou d occasion calamo

dossier b comme barbouzes confrontations by patrice chairoff - Oct 06 2022

web dossier b comme barbouzes confrontations by patrice chairoff le prolariat universel 01 01 10 01 02 10 mediakwest 2 by mediakwest issuu michel audiard club des monstres achat b me barbouze pas cher ou d occasion rakuten calamo justice groupe muniste rpublicain citoyen et cologiste 3800 les attentats dans le monde et en france

dossier b comme barbouzes confrontations by patrice chairoff - Mar 11 2023

web dossier b comme barbouzes confrontations by patrice chairoff cours de l le b a ba des barbouzes les idéologues sont toujours plus ou moins manipulés par les barbouzes au service du grand jeu des etats auquel participent pour leur pte de puissants milieux affairistes c était par exemple le cas avant la guerre de

dossier b comme barbouzes confrontations - Dec 28 2021

web dossier b comme barbouzes confrontations recognizing the habit ways to acquire this ebook dossier b comme barbouzes confrontations is additionally useful you have remained in right site to begin getting this info acquire the dossier b comme barbouzes confrontations colleague that we pay for here and check out the link

dossier b comme barbouzes confrontations uniport edu - Feb 10 2023

web jun 27 2023 dossier b comme barbouzes confrontations 1 4 downloaded from uniport edu ng on june 27 2023 by guest dossier b comme barbouzes confrontations yeah reviewing a ebook dossier b comme barbouzes confrontations could add your near connections listings this is just one of the solutions for you to be successful as

dossier b comme barbouzes confrontations by patrice chairoff - Jul 03 2022

web dossier b comme barbouzes confrontations by patrice chairoff ebook pdf procs des armes du 7 9 janvier 2015 les april 13th 2020 introduction le procès du trafic d armes de guerre animé par le militant de la droite nationaliste

t c paris başkonsolosluğu consulat général de türkiye à paris - Dec 08 2022

web t c paris başkonsolosluğu consulat général de türkiye à paris 19 226 beğenme 47 kişi bunun hakkında konuşuyor t c paris başkonsolosluğu resmi facebook sayfası page officielle du consulat

dossier b comme barbouzes confrontations by patrice chairoff - May 13 2023

web dossier b comme barbouzes confrontations by patrice chairoff la criminalit au service de l etat par christian de brie le prolariat universel 01 01 10 01 02 10 coup de coeur cinma tous les livres sur le cinma art podcast rendez vous avec x meilleures ventes actualit internationale histoire michel audiard club des monstres cinq leons de la

dossier b comme barbouzes confrontations pdf old vulkk - Jul 15 2023

web 2 dossier b comme barbouzes confrontations 2021 08 25 hazards of breast feeding may come from chemical toxicants antibiotics smoking alcohol pesticides and particularly heroin breast feeding has a contraceptive effect which gradually declines with lactation time economically breast feeding is unsurpassed and in developing nations is

dossier b comme barbouzes confrontations uniport edu - Jan 29 2022

web jul 26 2023 dossier b comme barbouzes confrontations 2 4 downloaded from uniport edu ng on july 26 2023 by guest uncovers the alliances between the mafia right wing extremists neo fascist oas and sac veterans in france and miami based cuban exiles it lifts the veil on the global networks of parafascist terrorists who

l a c popa c e de gilgamesh en 8 ra c cits download only - Dec 10 2022

4 l a c popa c e de gilgamesh en 8 ra c cits 2023 01 09 responsabilité internationale et réparation des dommages environnementaux air et climats eaux douces et milieu marin sols

l a popa c e de gilgamesh le grand roi qui ne vou full pdf - Jan 11 2023

4 l a c popa c e de gilgamesh en 8 ra c cits 2023 01 30 one of the basic doctrines of the buddhist teachings is the law of karma what is the law of karma science believes that an

read free l a c popa c e de gilgamesh en 8 ra c cits - Jul 17 2023

l a c popa c e de gilgamesh en 8 ra c cits v1 thesaurus lexicon of similar words synonyms in 21 dead ancient languages mar 06 2021 volume i a

pdf l a c popa c e de gilgamesh pdf stoa org - Sep 19 2023

l a c popa c e de gilgamesh pdf if you ally compulsion such a referred l a c popa c e de gilgamesh pdf ebook that will have enough money you worth get the unconditionally best seller from us currently from several preferred authors if you want to funny books lots of novels tale jokes and more fictions collections are as well as

l a c popa c e de gilgamesh panait istrati - Nov 28 2021

l a c popa c e de gilgamesh download only mail srilankalaw - Feb 12 2023

4 l a c popa c e de gilgamesh en 8 ra c cits 2020 08 25 sept chapitres nature et objet histoire et acteurs enjeux et contexte sources formelles et techniques juridiques institutions

l a c popa c e de gilgamesh en 8 ra c cits billie lee turner - Aug 18 2023

a c popa c e de gilgamesh en 8 ra c cits by online you might not require more era to spend to go to the ebook instigation as skillfully as search for them in some cases you likewise do

lolipopcu haterlarim aĖlarken polİsİ İInÇledİler - Jan 31 2022

likewise realize not discover the proclamation l a c popa c e de gilgamesh that you are looking for it will entirely squander

the time however below as soon as you visit this web

l épopée de gilgamesh en 8 récits by jean muzi - Apr 14 2023

as this l a c popa c e de gilgamesh it ends in the works innate one of the favored book l a c popa c e de gilgamesh collections that we have this is why you remain in the best website

l a c popa c e de gilgamesh en 8 ra c cits full pdf - Sep 07 2022

l épopée de gilgamesh by anonymes rémi saillard dorian popa l pop e de la croisi re jaune 9782221059227 popa sapca olx ro what does de proa a popa mean in spanish

l a c popa c e de gilgamesh en 8 ra c cits copy - Oct 08 2022

rÂgib paŞa ö 1176 1763 osmanlı sadrazamı diplomat şair ve tarihçi madde güncellenmektedir râgıb paşa türbesi nin xix yüzyılın ilk yarısı içinde çizilen bir gravürü j

[l épopée de gilgamesh en 8 récits by jean muzi](#) - Mar 01 2022

this l a c popa c e de gilgamesh en 8 ra c cits as one of the most committed sellers here will entirely be among the best options to review the making of modern colombia david

gilgamesh wikipedia - May 15 2023

sep 3 2023 motor de popa mercury martinelli pesca e nutica 28 anos old world megadroughts and pluvials during the mon era papa louie arcade flipline studios popa e

rÂgib paŞa tđv İslâm ansiklopedisi - Aug 06 2022

lapu lapu ayrıca yerel tarihi belgelere göre halife pulaka d 1491 ö 1547 mactan adası sultanı olan lapu lapu filipinler in ilk ulusal kahramanıdır İşgalci sömürgecilere karşı

[l a c popa c e de gilgamesh en 8 ra c cits anzfa full pdf](#) - Dec 30 2021

aug 18 2023 revelează de a lungul cărții apartamentul ticsit de cărți unde locuiesc cei doi graalajul un misterios local l a c popa c e de gilgamesh en 8 ra c cits 2 5 downloaded

epic of gilgamesh wikipedia - Mar 13 2023

l a popa c e de gilgamesh le grand roi qui ne vou 3 3 spécifique de la tradition orale roumaine qui avait donné lieu à différentes publications le présent volume en offre

l a c popa c e de gilgamesh pdf uniport edu - Jun 16 2023

gilgamesh akkadian 𒂗𒂗𒂗𒂗 romanized gilgameš originally sumerian 𒂗𒂗𒂗𒂗 romanized bilgames was a hero in ancient mesopotamian mythology and the protagonist of the epic of gilgamesh an epic poem written in akkadian during the late 2nd millennium bc he was possibly a historical king of the sumerian city state of uruk who was posthumously deified his rule probably would have taken place sometime in the beginning of the early dynastic period c 290

l épopée de gilgamesh by anonymes rémi saillard - Jul 05 2022

pulpo a la campechana pulpo a la campechana meksika mutfağında geleneksel bir yemektir mürekkebi sirkesi soğanı sarımsağıyla suda yavaş yavaş kaynatılan doğranmış ahtapottan

pulpo a la campechana wikpedi - May 03 2022

cristinel c popa facebook pope de gilgamesh wikipdia adrian popa motor de popa mercury 15 super desconto p produtor rural grp popa s blog motor de popa 2 tempos no

l épopée de gilgamesh by jacques cassabois - Apr 02 2022

lolipop tiryakisi masum haterlerim ablalarını savunuyor haterlerımın nefret ettiđi kelimeler gacha life gacha life türkçe gacha türkçe gacha life glmm

lapu lapu wikpedi - Jun 04 2022

popa nicoleta i a c motor de popa 2 tempos no mercado livre brasil clarsax popa s l home facebook cv mihai emilian popa pope de gilgamesh wikipdia calle popa los prados

l a c popa c e de gilgamesh en 8 ra c cits pdf uniport edu - Oct 28 2021

l a c popa c e de gilgamesh en 8 ra c cits copy - Nov 09 2022

l a c popa c e de gilgamesh en 8 ra c cits 3 3 this is an essential book for researchers scientists and advanced students in polymer science drug delivery

Embark on a transformative journey with is captivating work, Grab Your Copy of **Mercedes Benz Parts Repair Manual** . This enlightening ebook, available for download in a convenient PDF format , invites you to explore a world of boundless knowledge. Unleash your intellectual curiosity and discover the power of words as you dive into this riveting creation. Download now and elevate your reading experience to new heights .

https://offsite.creighton.edu/files/virtual-library/Documents/how_to_loom_knit.pdf

https://offsite.creighton.edu/files/virtual-library/Documents/how_to_throw_a_knife_straight.pdf

https://offsite.creighton.edu/files/virtual-library/Documents/how_to_draw_for_animation.pdf

Table of Contents Mercedes Benz Parts Repair Manual

1. Understanding the eBook Mercedes Benz Parts Repair Manual
 - The Rise of Digital Reading Mercedes Benz Parts Repair Manual
 - Advantages of eBooks Over Traditional Books
2. Identifying Mercedes Benz Parts Repair Manual
 - Exploring Different Genres
 - Considering Fiction vs. Non-Fiction
 - Determining Your Reading Goals
3. Choosing the Right eBook Platform
 - Popular eBook Platforms
 - Features to Look for in an Mercedes Benz Parts Repair Manual
 - User-Friendly Interface
4. Exploring eBook Recommendations from Mercedes Benz Parts Repair Manual
 - Personalized Recommendations

- Mercedes Benz Parts Repair Manual User Reviews and Ratings
- Mercedes Benz Parts Repair Manual and Bestseller Lists
- 5. Accessing Mercedes Benz Parts Repair Manual Free and Paid eBooks
 - Mercedes Benz Parts Repair Manual Public Domain eBooks
 - Mercedes Benz Parts Repair Manual eBook Subscription Services
 - Mercedes Benz Parts Repair Manual Budget-Friendly Options
- 6. Navigating Mercedes Benz Parts Repair Manual eBook Formats
 - ePub, PDF, MOBI, and More
 - Mercedes Benz Parts Repair Manual Compatibility with Devices
 - Mercedes Benz Parts Repair Manual Enhanced eBook Features
- 7. Enhancing Your Reading Experience
 - Adjustable Fonts and Text Sizes of Mercedes Benz Parts Repair Manual
 - Highlighting and Note-Taking Mercedes Benz Parts Repair Manual
 - Interactive Elements Mercedes Benz Parts Repair Manual
- 8. Staying Engaged with Mercedes Benz Parts Repair Manual
 - Joining Online Reading Communities
 - Participating in Virtual Book Clubs
 - Following Authors and Publishers Mercedes Benz Parts Repair Manual
- 9. Balancing eBooks and Physical Books Mercedes Benz Parts Repair Manual
 - Benefits of a Digital Library
 - Creating a Diverse Reading Collection Mercedes Benz Parts Repair Manual
- 10. Overcoming Reading Challenges
 - Dealing with Digital Eye Strain
 - Minimizing Distractions
 - Managing Screen Time
- 11. Cultivating a Reading Routine Mercedes Benz Parts Repair Manual
 - Setting Reading Goals Mercedes Benz Parts Repair Manual
 - Carving Out Dedicated Reading Time
- 12. Sourcing Reliable Information of Mercedes Benz Parts Repair Manual
 - Fact-Checking eBook Content of Mercedes Benz Parts Repair Manual

- Distinguishing Credible Sources
- 13. Promoting Lifelong Learning
 - Utilizing eBooks for Skill Development
 - Exploring Educational eBooks
- 14. Embracing eBook Trends
 - Integration of Multimedia Elements
 - Interactive and Gamified eBooks

Mercedes Benz Parts Repair Manual Introduction

Free PDF Books and Manuals for Download: Unlocking Knowledge at Your Fingertips In today's fast-paced digital age, obtaining valuable knowledge has become easier than ever. Thanks to the internet, a vast array of books and manuals are now available for free download in PDF format. Whether you are a student, professional, or simply an avid reader, this treasure trove of downloadable resources offers a wealth of information, conveniently accessible anytime, anywhere. The advent of online libraries and platforms dedicated to sharing knowledge has revolutionized the way we consume information. No longer confined to physical libraries or bookstores, readers can now access an extensive collection of digital books and manuals with just a few clicks. These resources, available in PDF, Microsoft Word, and PowerPoint formats, cater to a wide range of interests, including literature, technology, science, history, and much more. One notable platform where you can explore and download free Mercedes Benz Parts Repair Manual PDF books and manuals is the internet's largest free library. Hosted online, this catalog compiles a vast assortment of documents, making it a veritable goldmine of knowledge. With its easy-to-use website interface and customizable PDF generator, this platform offers a user-friendly experience, allowing individuals to effortlessly navigate and access the information they seek. The availability of free PDF books and manuals on this platform demonstrates its commitment to democratizing education and empowering individuals with the tools needed to succeed in their chosen fields. It allows anyone, regardless of their background or financial limitations, to expand their horizons and gain insights from experts in various disciplines. One of the most significant advantages of downloading PDF books and manuals lies in their portability. Unlike physical copies, digital books can be stored and carried on a single device, such as a tablet or smartphone, saving valuable space and weight. This convenience makes it possible for readers to have their entire library at their fingertips, whether they are commuting, traveling, or simply enjoying a lazy afternoon at home. Additionally, digital files are easily searchable, enabling readers to locate specific information within seconds. With a few keystrokes, users can search for keywords, topics, or phrases, making research and finding relevant information a breeze. This efficiency saves time and effort, streamlining the learning process and allowing individuals to focus on extracting the

information they need. Furthermore, the availability of free PDF books and manuals fosters a culture of continuous learning. By removing financial barriers, more people can access educational resources and pursue lifelong learning, contributing to personal growth and professional development. This democratization of knowledge promotes intellectual curiosity and empowers individuals to become lifelong learners, promoting progress and innovation in various fields. It is worth noting that while accessing free Mercedes Benz Parts Repair Manual PDF books and manuals is convenient and cost-effective, it is vital to respect copyright laws and intellectual property rights. Platforms offering free downloads often operate within legal boundaries, ensuring that the materials they provide are either in the public domain or authorized for distribution. By adhering to copyright laws, users can enjoy the benefits of free access to knowledge while supporting the authors and publishers who make these resources available. In conclusion, the availability of Mercedes Benz Parts Repair Manual free PDF books and manuals for download has revolutionized the way we access and consume knowledge. With just a few clicks, individuals can explore a vast collection of resources across different disciplines, all free of charge. This accessibility empowers individuals to become lifelong learners, contributing to personal growth, professional development, and the advancement of society as a whole. So why not unlock a world of knowledge today? Start exploring the vast sea of free PDF books and manuals waiting to be discovered right at your fingertips.

FAQs About Mercedes Benz Parts Repair Manual Books

1. Where can I buy Mercedes Benz Parts Repair Manual books? Bookstores: Physical bookstores like Barnes & Noble, Waterstones, and independent local stores. Online Retailers: Amazon, Book Depository, and various online bookstores offer a wide range of books in physical and digital formats.
2. What are the different book formats available? Hardcover: Sturdy and durable, usually more expensive. Paperback: Cheaper, lighter, and more portable than hardcovers. E-books: Digital books available for e-readers like Kindle or software like Apple Books, Kindle, and Google Play Books.
3. How do I choose a Mercedes Benz Parts Repair Manual book to read? Genres: Consider the genre you enjoy (fiction, non-fiction, mystery, sci-fi, etc.). Recommendations: Ask friends, join book clubs, or explore online reviews and recommendations. Author: If you like a particular author, you might enjoy more of their work.
4. How do I take care of Mercedes Benz Parts Repair Manual books? Storage: Keep them away from direct sunlight and in a dry environment. Handling: Avoid folding pages, use bookmarks, and handle them with clean hands. Cleaning: Gently dust the covers and pages occasionally.

5. Can I borrow books without buying them? Public Libraries: Local libraries offer a wide range of books for borrowing. Book Swaps: Community book exchanges or online platforms where people exchange books.
6. How can I track my reading progress or manage my book collection? Book Tracking Apps: Goodreads, LibraryThing, and Book Catalogue are popular apps for tracking your reading progress and managing book collections. Spreadsheets: You can create your own spreadsheet to track books read, ratings, and other details.
7. What are Mercedes Benz Parts Repair Manual audiobooks, and where can I find them? Audiobooks: Audio recordings of books, perfect for listening while commuting or multitasking. Platforms: Audible, LibriVox, and Google Play Books offer a wide selection of audiobooks.
8. How do I support authors or the book industry? Buy Books: Purchase books from authors or independent bookstores. Reviews: Leave reviews on platforms like Goodreads or Amazon. Promotion: Share your favorite books on social media or recommend them to friends.
9. Are there book clubs or reading communities I can join? Local Clubs: Check for local book clubs in libraries or community centers. Online Communities: Platforms like Goodreads have virtual book clubs and discussion groups.
10. Can I read Mercedes Benz Parts Repair Manual books for free? Public Domain Books: Many classic books are available for free as they're in the public domain. Free E-books: Some websites offer free e-books legally, like Project Gutenberg or Open Library.

Find Mercedes Benz Parts Repair Manual :

[how to loom knit](#)

[how to throw a knife straight](#)

how to draw for animation

how to reschedule a meeting email

how to perform white magic

how to play nothing else matters on piano

how to get rid of chronic bad breath permanently

[how to do opening prayer](#)

[how to pass maryland real estate exam](#)

how to learn czech language fast

how to create a wholesale order form

how to detox your adrenal glands

how to register for nasm exam

how to heal the subconscious mind

how to join quilt as you go blocks

Mercedes Benz Parts Repair Manual :