



DD-5
Digital Delay

SERVICE NOTES

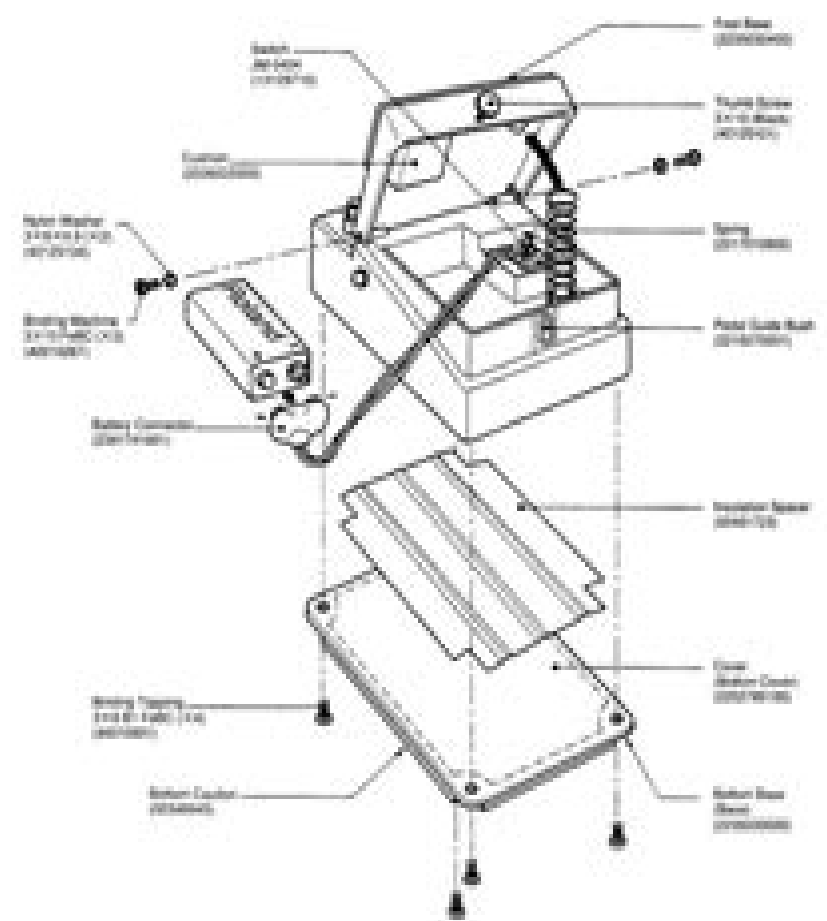
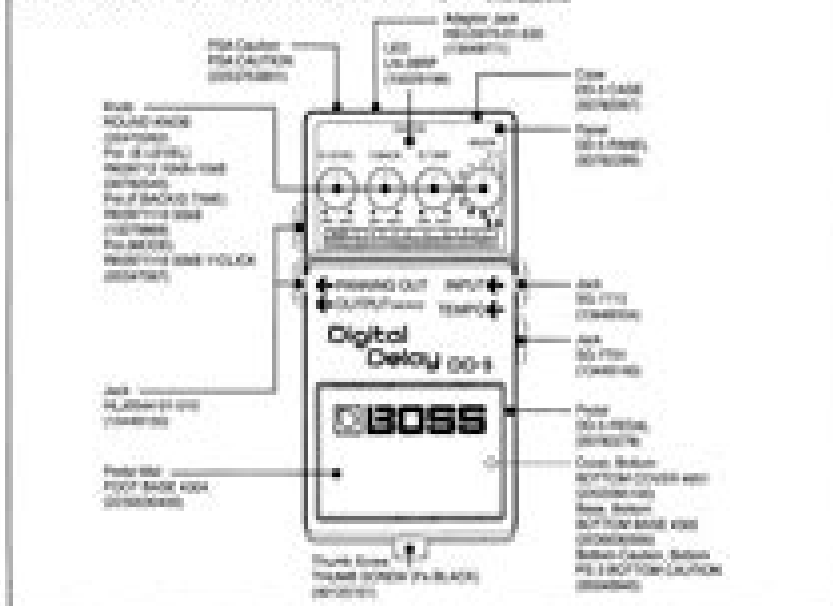
First Edition

EXPLODED VIEW / 分解図

SPECIFICATIONS / 仕様

◆ Signal processing	4191 Oscillator (20KHz)
	40 Band Compressor (Low level of 1, middle of 2, high of 4)
	40 Compressor (20KHz)
◆ Envelope Processor	224A
◆ Envelope Gate Level	224A
◆ Envelope Frequency	224A
◆ Envelope Self-recovery	224A
◆ Output Impedance	50 Ω
◆ Recommended Load Impedance	50 Ω or higher
◆ Minimum Supply	224A or greater (20V) 224A or greater (20V)
	224A or greater (20V)
	224A or greater (20V)
◆ Control	Foot Switch, Rocker Switch, Control Knob (1), Amplifier
◆ Display	Four LED's (Green) (Green or a Red/Green LED)
◆ Dimensions	Height 44mm (Mount Stand), Depth 100mm (Mount Stand), Width 54mm
◆ Power Supply	AC Adapter (not included)
	DC 9V (2.1mm) (Battery (not included))
	AC Adapter (not included)
◆ Current Drain	Stand-by (OFF) 100mA
◆ Consumption	Stand-by (OFF) 100mA
◆ Weight	100g (without battery)
◆ Accessories	Mount Stand (not included) 224A (not included) Mount Stand (not included) 224A (not included) Mount Stand (not included) 224A (not included) Mount Stand (not included) 224A (not included)
◆ Notes	AC Adapter (not included) 224A (not included) Mount Stand (not included) 224A (not included)

LOCATION OF CONTROLS / パネル配置図



Boss Dd5 Manual

Dungeons & Dragons



Boss Dd5 Manual

BOSS 2 Rune Einersen,1975

Boss 2 Rune Einersen,Lars Otto Kjær Nielsen,Bent Bæk Jensen,1977

The Hollander Manual ,1954

Boss 2. User's Manual Søren Lauesen,1974

The Boss Book Hal Leonard Publishing Corporation,2001 Book Why have guitarists bought over seven million Boss compact effects Read this book and you ll understand The Boss Book includes the story in complete detail of every Boss compact effect ever made super color photos design history trivia tricks and secrets candid interviews with the Boss founder and design engineers essays on musical trends and famous players and much more As a bonus the accompanying CD features 72 guitar sounds with control settings and detailed equipment set ups so you can take your guitar playing to another dimension I ve used Boss pedals since their inception For me Boss has always stood for simplicity reliability and great sounding very high quality effects Jeff Skunk Baxter Doobie Bros Steely Dan

Introduction to Guitar Tone & Effects , Guitar Educational An essential manual for getting the best sounds from electric guitars amplifiers effect pedals and digital processors This book CD pack features easy to follow instructions with more than 75 photos to teach the basics of guitar tone and effects The accompanying CD provides audio examples Readers will learn anatomy of the electric guitar controlling the electric guitar getting a good clean tone overdrive distortion and fuzz using equalizers compressors and limiters noise reduction modulation effects reverb and delay octavers and harmonizers special effects multi effect processors amp getting a good tone through your PC stylistic guitar tones famous effected guitarists and much more

The Monsters Know What They're Doing Keith Ammann,2019-10-29 From the creator of the popular blog The Monsters Know What They re Doing comes a compilation of villainous battle plans for Dungeon Masters In the course of a Dungeons Dragons game a Dungeon Master has to make one decision after another in response to player behavior and the better the players the more unpredictable their behavior It s easy for even an experienced DM to get bogged down in on the spot decision making or to let combat devolve into a boring slugfest with enemies running directly at the player characters and biting bashing and slashing away In The Monsters Know What They re Doing Keith Ammann lightens the DM s burden by helping you understand your monsters abilities and develop battle plans before your fifth edition D D game session begins Just as soldiers don t whip out their field manuals for the first time when they re already under fire a DM shouldn t wait until the PCs have just encountered a dozen bullywugs to figure out how they advance fight and retreat Easy to read and apply The Monsters Know What They re Doing is essential reading for every DM

D&D MORDENKAINEN'S TOME OF FOES Wizards RPG Team,2018-05-29 Discover the truth about the great conflicts of the D D multiverse in this supplement for the world s greatest roleplaying game This tome is built on the writings of the renowned wizard from the world of Greyhawk gathered over a lifetime of research and scholarship In his travels to other realms and other planes of existence he has made many friends and has risked his life an equal number of times to amass the knowledge contained herein In addition to Mordenkainen s musings on the endless wars of the multiverse the book contains game statistics for dozens of monsters new demons and devils several varieties of elves and duergar and a vast array of other creatures from throughout the planes of existence

Guitar Nigel Osborne,2016-10-24 This is the most authoritative and comprehensive reference work on the full range of guitar designs and playing styles ever produced An info packed and intricately detailed illustrated glossary that helps you talk guitar with authority Taking you all the way from deciding which instrument is best for you and your music to learning the essential techniques in ten of the most popular guitar styles and maximizing the potential of your guitar effects and amplifier this book is a one stop fast track to fluency in all aspects of the most influential icon in the history of popular music In this book the world s leading specialists tell you what ingredients go into a vast range of guitars and amplifiers to make them sound the way that they do coach you on making the most of your instruments effects and amps tutor you in the essential playing skills of genres from Rock to Jazz to classical and everything in between Contributors include Dave Hunter Tony Bacon Robert Benedetto Dave Burrluck Walter Carter Dough Chandler Paul Day James Stevenson Kari Bannerman David Braid Carl Filipiak Nestor Garcia Martin Goulding Lee Hodgson Max Milligan and Rikky Rooksby

Dungeons & Dragons Monster Manual (Core Rulebook, D&D Roleplaying Game) Dungeons & Dragons,2014-09-30 Fill your Dungeons Dragons games with deadly monsters from the Monster Manual The Monster Manual teaches you how to how to fill your Dungeons Dragons games with monsters how to populate the game with pesky goblins and mighty dragons for players to battle or beguile outwit or outrun Inside the Monster Manual you ll find more than 150 classic D D creatures with vivid illustrations and rich descriptions to help breathe life into your zombies and liches What if I told you about the best book of monsters ever The 5E Monster Manual just might be the one Ed Grabianowski io9 Gizmodo com D D acolytes are everywhere Tech workers from Silicon Valley to Brooklyn have long running campaigns and the showrunners and the novelist behind Game of Thrones have all been Dungeon Masters Neima Jahromi The New Yorker The Monster Manual is one of the three main Dungeons Dragons books along with the Player s Handbook and the Dungeon Master s Guide It s an essential resource for Dungeon Masters to use in populating any type of challenge they might contrive for their players From an angel s wingspan to the vacant eyes of a zombie beholder the Monster Manual includes more than 150 creatures illustrated in vivid color with more than 400 quick reference tables to help you bring them to life with ease Rich descriptions of each monster help trigger your imagination From the familiar vampires hate sunlight to the arcane what color is the vapor from a gorgon s nose the Monster Manual helps inspire your decisions and keep the game flowing smoothly In Dungeons Dragons you and your friends coauthor your own legend Guided by a Dungeon Master you create characters and play their roles in a story rolling dice and navigating maps as you unfold a tale as limitless as your imagination Dungeons Dragons is the world s greatest roleplaying game Created in 1974 D D transformed gaming culture by blending traditional fantasy with miniatures and wargaming

Curse of Strahd Dungeons & Dragons,2016-03-15 Unravel the mysteries of Ravenloft in this dread adventure for the world s greatest roleplaying game Under raging storm clouds the vampire Count Strahd von Zarovich stands silhouetted against the ancient walls of Castle Ravenloft Rumbling thunder pounds the castle spires The wind s howling increases as he turns his gaze down toward the village of Barovia Far below yet not beyond his keen eyesight a party of adventurers has just entered his domain Strahd s face forms the barest hint of a smile as his dark plan unfolds He knew they were coming and he knows why they came all according to his plan A lightning flash rips through the darkness but Strahd is gone Only the howling of the wind fills the midnight air The master of Castle Ravenloft is having guests for dinner And you are invited

VAN RICHTEN'S GUIDE TO RAVENLOFT (ALTERNATE COVER) ,2021

Electronic Projects for Musicians Craig Anderton,1980 Shows how to build a preamp ring modulator phase shifter and other electronic musical devices and provides a basic introduction to working with electronic components

MOAR! Monsters Know What They're Doing Keith Ammann,2022-01-04 From the author of The Monsters Know What They re Doing comes a follow up strategy guide with MOAR monster tactics for Dungeon Masters playing fifth edition Dungeons Dragons Keith Ammann s first book based on his popular blog The Monsters Know What They re Doing unpacks strategies tactics and motivations for creatures found in the Dungeons Dragons Monster Manual Now in MOAR Monsters Know What They re Doing he analyzes the likely combat behaviors of more than 100 new enemies found in Volo s Guide to Monsters and Mordenkainen s Tome of Foes Your campaign will never be the same

Tome of Battle Richard Baker, Frank Brunner, Matthew Sernett,2006 The nine martial disciplines presented in this supplement allow a character with the proper knowledge and focus to perform special combat maneuvers and nearly magical effects Information is also included on new magic items and spells and new monsters and organizations

Player's Option: Heroes of the Feywild Rodney Thompson, Claudio Pozas, Steve Townshend,2011-06-30 This book enables players to weave elements of the Feywild into their existing and future characters It contains exciting new character builds and options that are thematically rooted to the Feywild a wild and verdant plane of arcane splendor full of dangerous and whimsical creatures

Explorer's Guide to Wildemount (D&D Campaign Setting and Adventure Book) (Dungeons & Dragons) Dungeons & Dragons,2020-03-17
HOW DO YOU WANT TO DO THIS A war brews on a continent that has withstood more than its fair share of conflict The Dwendalian Empire and the Kryn Dynasty are carving up the lands around them and only the greatest heroes would dare stand between them Somewhere in the far corners of this war torn landscape are secrets that could end this conflict and usher in a new age of peace or burn the world to a cinder Create a band of heroes and embark on a journey across the continent of Wildemount the setting for Campaign 2 of the hit Dungeons Dragons series Critical Role Within this book you ll find new character options a heroic chronicle to help you craft your character s backstory four different starting adventures and everything a Dungeon Master needs to breathe life into a Wildemount based D D campaign Delve through the first Dungeons Dragons book to let players experience the game as played within the world of Critical Role the world s most popular livestreaming D D show Uncover a trove of options usable in any D D game featuring subclasses spells magic items monsters and more rooted in the adventures of Exandria such as Vestiges of Divergence and the possibility manipulating magic of Dunamancy Start a Dungeons Dragons campaign in any of Wildemount s regions using a variety of introductory adventures dozens of regional plot seeds and the heroic chronicle system a way to create character backstories rooted in Wildemount Explore every corner of Wildemount and discover mysteries revealed for the first time by Critical Role Dungeon Master Matthew Mercer

Odyssey of the Dragonlords RPG Modiphius,2020-03-03 Campaign book compatible with the 5E edition rules of Dungeons Dragons

Races of Eberron Jesse Decker, Matthew Sernett, Keith Baker, Gwendolyn F. M. Kestrel,2005-04 This new D D sourcebook details the major races of the Eberron world with an in depth look at the new races of the Eberron Campaign Setting including changelings the kalashtar shifters and the warforged

Special Edition Dungeon Master's Guide Monte Cook, Wizards Team,2005-10 A deluxe version of the essential core rulebook every D D Dungeon Master needs this special release features an embossed leather bound cover and premium gilt edged paper

Eventually, you will categorically discover a new experience and talent by spending more cash. still when? attain you undertake that you require to get those all needs in imitation of having significantly cash? Why dont you attempt to acquire something basic in the beginning? Thats something that will guide you to understand even more on the order of the globe, experience, some places, similar to history, amusement, and a lot more?

It is your very own get older to put-on reviewing habit. accompanied by guides you could enjoy now is **Boss Dd5 Manual** below.

<https://offsite.creighton.edu/data/detail/fetch.php/Front%20Page%20Newspaper%20Template.pdf>

https://offsite.creighton.edu/data/detail/fetch.php/fun_facts_about_amelia_earhart.pdf

https://offsite.creighton.edu/data/detail/fetch.php/Franklin_Covey_Planner_2023.pdf

Table of Contents Boss Dd5 Manual

1. Understanding the eBook Boss Dd5 Manual
 - The Rise of Digital Reading Boss Dd5 Manual
 - Advantages of eBooks Over Traditional Books
2. Identifying Boss Dd5 Manual
 - Exploring Different Genres
 - Considering Fiction vs. Non-Fiction
 - Determining Your Reading Goals
3. Choosing the Right eBook Platform
 - Popular eBook Platforms
 - Features to Look for in an Boss Dd5 Manual
 - User-Friendly Interface
4. Exploring eBook Recommendations from Boss Dd5 Manual
 - Personalized Recommendations
 - Boss Dd5 Manual User Reviews and Ratings
 - Boss Dd5 Manual and Bestseller Lists
5. Accessing Boss Dd5 Manual Free and Paid eBooks

- Boss Dd5 Manual Public Domain eBooks
 - Boss Dd5 Manual eBook Subscription Services
 - Boss Dd5 Manual Budget-Friendly Options
6. Navigating Boss Dd5 Manual eBook Formats
- ePub, PDF, MOBI, and More
 - Boss Dd5 Manual Compatibility with Devices
 - Boss Dd5 Manual Enhanced eBook Features
7. Enhancing Your Reading Experience
- Adjustable Fonts and Text Sizes of Boss Dd5 Manual
 - Highlighting and Note-Taking Boss Dd5 Manual
 - Interactive Elements Boss Dd5 Manual
8. Staying Engaged with Boss Dd5 Manual
- Joining Online Reading Communities
 - Participating in Virtual Book Clubs
 - Following Authors and Publishers Boss Dd5 Manual
9. Balancing eBooks and Physical Books Boss Dd5 Manual
- Benefits of a Digital Library
 - Creating a Diverse Reading Collection Boss Dd5 Manual
10. Overcoming Reading Challenges
- Dealing with Digital Eye Strain
 - Minimizing Distractions
 - Managing Screen Time
11. Cultivating a Reading Routine Boss Dd5 Manual
- Setting Reading Goals Boss Dd5 Manual
 - Carving Out Dedicated Reading Time
12. Sourcing Reliable Information of Boss Dd5 Manual
- Fact-Checking eBook Content of Boss Dd5 Manual
 - Distinguishing Credible Sources
13. Promoting Lifelong Learning
- Utilizing eBooks for Skill Development

- Exploring Educational eBooks
14. Embracing eBook Trends
- Integration of Multimedia Elements
 - Interactive and Gamified eBooks

Boss Dd5 Manual Introduction

Free PDF Books and Manuals for Download: Unlocking Knowledge at Your Fingertips In today's fast-paced digital age, obtaining valuable knowledge has become easier than ever. Thanks to the internet, a vast array of books and manuals are now available for free download in PDF format. Whether you are a student, professional, or simply an avid reader, this treasure trove of downloadable resources offers a wealth of information, conveniently accessible anytime, anywhere. The advent of online libraries and platforms dedicated to sharing knowledge has revolutionized the way we consume information. No longer confined to physical libraries or bookstores, readers can now access an extensive collection of digital books and manuals with just a few clicks. These resources, available in PDF, Microsoft Word, and PowerPoint formats, cater to a wide range of interests, including literature, technology, science, history, and much more. One notable platform where you can explore and download free Boss Dd5 Manual PDF books and manuals is the internet's largest free library. Hosted online, this catalog compiles a vast assortment of documents, making it a veritable goldmine of knowledge. With its easy-to-use website interface and customizable PDF generator, this platform offers a user-friendly experience, allowing individuals to effortlessly navigate and access the information they seek. The availability of free PDF books and manuals on this platform demonstrates its commitment to democratizing education and empowering individuals with the tools needed to succeed in their chosen fields. It allows anyone, regardless of their background or financial limitations, to expand their horizons and gain insights from experts in various disciplines. One of the most significant advantages of downloading PDF books and manuals lies in their portability. Unlike physical copies, digital books can be stored and carried on a single device, such as a tablet or smartphone, saving valuable space and weight. This convenience makes it possible for readers to have their entire library at their fingertips, whether they are commuting, traveling, or simply enjoying a lazy afternoon at home. Additionally, digital files are easily searchable, enabling readers to locate specific information within seconds. With a few keystrokes, users can search for keywords, topics, or phrases, making research and finding relevant information a breeze. This efficiency saves time and effort, streamlining the learning process and allowing individuals to focus on extracting the information they need. Furthermore, the availability of free PDF books and manuals fosters a culture of continuous learning. By removing financial barriers, more people can access educational resources and pursue lifelong learning, contributing to personal growth and professional development. This democratization of knowledge promotes intellectual curiosity and empowers individuals to

become lifelong learners, promoting progress and innovation in various fields. It is worth noting that while accessing free Boss Dd5 Manual PDF books and manuals is convenient and cost-effective, it is vital to respect copyright laws and intellectual property rights. Platforms offering free downloads often operate within legal boundaries, ensuring that the materials they provide are either in the public domain or authorized for distribution. By adhering to copyright laws, users can enjoy the benefits of free access to knowledge while supporting the authors and publishers who make these resources available. In conclusion, the availability of Boss Dd5 Manual free PDF books and manuals for download has revolutionized the way we access and consume knowledge. With just a few clicks, individuals can explore a vast collection of resources across different disciplines, all free of charge. This accessibility empowers individuals to become lifelong learners, contributing to personal growth, professional development, and the advancement of society as a whole. So why not unlock a world of knowledge today? Start exploring the vast sea of free PDF books and manuals waiting to be discovered right at your fingertips.

FAQs About Boss Dd5 Manual Books

What is a Boss Dd5 Manual PDF? A PDF (Portable Document Format) is a file format developed by Adobe that preserves the layout and formatting of a document, regardless of the software, hardware, or operating system used to view or print it.

How do I create a Boss Dd5 Manual PDF? There are several ways to create a PDF: Use software like Adobe Acrobat, Microsoft Word, or Google Docs, which often have built-in PDF creation tools. Print to PDF: Many applications and operating systems have a "Print to PDF" option that allows you to save a document as a PDF file instead of printing it on paper. Online converters: There are various online tools that can convert different file types to PDF.

How do I edit a Boss Dd5 Manual PDF? Editing a PDF can be done with software like Adobe Acrobat, which allows direct editing of text, images, and other elements within the PDF. Some free tools, like PDFescape or Smallpdf, also offer basic editing capabilities.

How do I convert a Boss Dd5 Manual PDF to another file format? There are multiple ways to convert a PDF to another format: Use online converters like Smallpdf, Zamzar, or Adobe Acrobat's export feature to convert PDFs to formats like Word, Excel, JPEG, etc. Software like Adobe Acrobat, Microsoft Word, or other PDF editors may have options to export or save PDFs in different formats.

How do I password-protect a Boss Dd5 Manual PDF? Most PDF editing software allows you to add password protection. In Adobe Acrobat, for instance, you can go to "File" -> "Properties" -> "Security" to set a password to restrict access or editing capabilities. Are there any free alternatives to Adobe Acrobat for working with PDFs? Yes, there are many free alternatives for working with PDFs, such as: LibreOffice: Offers PDF editing features. PDFsam: Allows splitting, merging, and editing PDFs. Foxit Reader: Provides basic PDF viewing and editing capabilities. How do I compress a PDF file?

You can use online tools like Smallpdf, ILovePDF, or desktop software like Adobe Acrobat to compress PDF files without significant quality loss. Compression reduces the file size, making it easier to share and download. Can I fill out forms in a PDF file? Yes, most PDF viewers/editors like Adobe Acrobat, Preview (on Mac), or various online tools allow you to fill out forms in PDF files by selecting text fields and entering information. Are there any restrictions when working with PDFs? Some PDFs might have restrictions set by their creator, such as password protection, editing restrictions, or print restrictions. Breaking these restrictions might require specific software or tools, which may or may not be legal depending on the circumstances and local laws.

Find Boss Dd5 Manual :

[front page newspaper template](#)

[fun facts about amelia earhart](#)

[franklin covey planner 2023](#)

[foxworth hall mansion](#)

[free sample church donation letters](#)

[fusion 360 projects for students](#)

[funny stories about trusting god](#)

[funny excuses that make no sense](#)

[fun facts about acadia national park](#)

[ftce math practice test free pdf](#)

free self esteem books

[franz jehovah's witnesses](#)

[franklin daily planner](#)

[funny riddles jokes](#)

[free progress report template](#)

Boss Dd5 Manual :

photoshop elements 2018 das umfangreiche praxisbu pdf - Aug 02 2022

web oct 6 2023 photoshop elements 2018 das umfangreiche praxisbu photoshop elements 2018 das umfangreiche praxisbu 2 downloaded from cpanel urbnleaf com on 2023 08 09 by guest startbildschirm die künstliche intelligenz nutzen bilder

schnell und kreativ bearbeiten automatische korrektoren durchführen farben optimieren fotos

photoshop elements 2018 das umfangreiche praxisbuch 542 - Aug 14 2023

web jan 12 2018 photoshop elements 2018 das umfangreiche praxisbuch 542 seiten leicht verständlich und komplett in

farbe sänger kyra sänger christian on amazon com free shipping on qualifying offers

adobe photoshop elements 2018 for windows 10 cnet download - May 31 2022

web total downloads 704 downloads last week 30 download adobe photoshop elements 2018 for windows 10 for windows to
for information on using photoshop elements 2018 on windows 10s operating system

sonderausgabe photoshop elements 2018 das umfangreiche - Oct 04 2022

web photoshop elements 2019 das umfangreiche praxisbuch sonderausgabe photoshop elements 2018 das umfangreiche

photoshop elements 2020 das umfangreiche praxisbuch sonderausgabe photoshop elements 2018 das umfangreiche

photoshop elements 14 das umfangreiche praxisbuch 544 photoshop elements 2018 i migliori

photoshop elements 2018 das umfangreiche praxisbu store1 - Sep 15 2023

web photoshop elements 2018 das umfangreiche praxisbu 1 photoshop elements 2018 das umfangreiche praxisbu canon

powershot g1x mark iii für bessere fotos von anfang an

sonderausgabe photoshop elements 2018 das umfangreiche - Feb 08 2023

web sep 23 2019 buy sonderausgabe photoshop elements 2018 das umfangreiche praxisbuch german edition read books
reviews amazon com

adobe photoshop elements 2018 download fixthephotocom - Jul 01 2022

web looking for safe adobe photoshop elements 2018 download links learn more about free and legal ways to download the
program in 2023 adobe photoshop elements is a powerful professional grade software application for digital image editing
and image retouching on either a pc or mac

introducing adobe photoshop elements 2018 premiere - Sep 03 2022

web oct 4 2017 photoshop elements and premiere elements now offer 67 guided edits including eight brand new ones in
this release swap backgrounds replace backgrounds in seconds by selecting the subject of a photo and placing it on a

background that s more interesting create double exposures double exposures continue to grow in popularity

photoshop elements 2018 das umfangreiche praxisbuch buch - Nov 05 2022

web find many great new used options and get the best deals for photoshop elements 2018 das umfangreiche praxisbuch
buch at the best online prices at ebay free shipping for many products

photoshop elements 2019 das umfangreiche praxisbuch leicht - Dec 06 2022

web dec 28 2018 buy photoshop elements 2019 das umfangreiche praxisbuch leicht verständlich und komplett in farbe

german edition read books reviews amazon com

pdf photoshop elements 2018 das umfangreiche praxisbu - Jul 13 2023

web das umfangreiche praxisbuch dec 17 2020 freuen sie sich auf ihre ersten eigenen bilder in einer hervorragenden qualitt und entdecken sie in diesem buch welche funktionen ihrer neuen eos m100 wirklich wichtig sind anhand zahlreicher beispiele aus der praxis vermitteln ihnen die erfahrenen autoren sowohl das technische und fotografische

photoshop elements 2018 das umfangreiche praxisbuch - Jan 07 2023

web photoshop elements 2018 das umfangreiche praxisbuch 9783832802820 books amazon ca

sänger k photoshop elements 2018 das umfangreiche praxis - Mar 09 2023

web sänger k photoshop elements 2018 das umfangreiche praxis sänger kyra sänger christian sänger dr kyra sänger dr christian on amazon com au free shipping on eligible orders sänger k photoshop elements 2018 das umfangreiche praxis

photoshop elements 2018 das umfangreiche praxisbu pdf - Apr 29 2022

web apr 24 2023 photoshop elements 2018 das umfangreiche praxisbu when people should go to the ebook stores search introduction by shop shelf by shelf it is really problematic this is why we offer the books compilations in this website it will utterly ease you to look guide photoshop elements 2018 das umfangreiche praxisbu as you such as

sonderausgabe photoshop elements 2018 das umfangreiche - Apr 10 2023

web sonderausgabe photoshop elements 2018 das umfangreiche praxisbuch german edition ebook sänger kyra sänger christian amazon in kindle store

photoshop elements 2018 das umfangreiche praxisbuch 542 - Oct 16 2023

web april 5th 2020 nicki testet das photoshop elements 2018 das umfangreiche praxisbuch 542 seiten leicht verständlich und komplett in farbe nero platinum 2018 enilni

sonderausgabe photoshop elements 2018 das umfangreiche - Jun 12 2023

web buy sonderausgabe photoshop elements 2018 das umfangreiche praxisbuch 540 seiten leicht verständlich und komplett in farbe by isbn 9783832803858 from amazon s book store free uk delivery on eligible orders

download solutions sonderausgabe photoshop elements 2018 das - Mar 29 2022

web highlighted as well sonderausgabe photoshop elements 2018 das umfangreiche praxisbuch may 10 2023 dieses buch unterstützt sie beim sicheren und gekonnten umgang mit dem neuen photoshop elements 2018 mit den anschaulichen anleitungen können sie ganz schnell und einfach einen

photoshop elements 2018 das umfangreiche praxisbu copy - May 11 2023

web photoshop elements 2018 das umfangreiche praxisbu critical materials jun 09 2020 critical materials takes a case study approach describing materials supply chain failures from the bronze age to present day it looks at why these failures

occurred what the consequences were and how they were resolved

photoshop elements 2019 das umfangreiche praxisbu copy - Feb 25 2022

web sonderausgabe photoshop elements 2018 das umfangreiche praxisbuch photoshop elements 2020 runes and runic inscriptions badge button pin precision agriculture 19 afghan box camera reading prehistoric human tracks the photoshop elements 2020 book for digital photographers animal beauty young people and sexuality education

board recruitment and job desc 3 nami secure4 khronos - Sep 01 2022

web jun 27 2023 board recruitment and job desc 3 nami but end up in harmful downloads board recruitment and job desc 3 nami is accessible in our pdf assemblage an online access to it is set as public so you can get it immediately plainly put the board recruitment and job desc 3 nami is universally harmonious with any devices to

board recruitment and job desc 3 nami pdf uniport edu - Oct 02 2022

web apr 2 2023 this info acquire the board recruitment and job desc 3 nami associate that we come up with the money for here and check out the link you could buy lead board recruitment and job desc 3 nami or get it as soon as feasible you could quickly download this board recruitment and job desc 3 nami after getting deal

typ İŞ başvuru ekrani İŞkur toplum yararına - Feb 06 2023

web sep 4 2022 İŞkur üzerinden kabul edilecek toplum yararına program typ iş başvurularının detayları milyonlarca vatandaş tarafından araştırılmaya devam ediyor 60 bin kişilik destek personeli alımı kapsamında değerlendirilen typ alımlarının ne zaman başlayacağı ve nasıl başvuru yapılacağı merak edilirken milli eğitim bakanlığı tarafından

pdf board recruitment and job desc 3 nami - May 29 2022

web board recruitment and job desc 3 nami if you ally craving such a referred board recruitment and job desc 3 nami book that will come up with the money for you worth acquire the definitely best seller from us currently from several preferred board recruitment and job desc 3 nami pdf download only - Apr 27 2022

web board recruitment and job desc 3 nami pdf 1 1 downloaded from nyc 01 production venveo com on january 21 2023 by guest board recruitment and job desc 3 nami pdf when somebody should go to the books stores search start by shop shelf by shelf it is in reality problematic

board recruitment and job desc 3 nami pdf uniport edu - Jun 10 2023

web jun 12 2023 board recruitment and job desc 3 nami 1 8 downloaded from uniport edu ng on june 12 2023 by guest board recruitment and job desc 3 nami this is likewise one of the factors by obtaining the soft documents of this board recruitment and job desc 3 nami by online you might not require more get older to spend to go to the

board recruitment and job desc 3 nami secure4 khronos - Jan 25 2022

web jun 27 2023 download the board recruitment and job desc 3 nami join that we have the money for here and check out

the link you could swiftly acquire this board recruitment and job desc 3 nami after getting deal board recruitment and job desc 3 nami is at hand in our literature assemblage an online access to it is set as public so you can get it

board recruitment and job desc 3 nami nedahygiene - Jun 29 2022

web the eight step strategic board recruitment model is based on the systems and techniques used by executive search professionals it has been tailored to guide nonprofits in their on

board recruitment and job desc 3 nami 2023 forms asmedu - Sep 13 2023

web board recruitment and job desc 3 nami decoding board recruitment and job desc 3 nami revealing the captivating potential of verbal expression in an era characterized by interconnectedness and an insatiable thirst for knowledge the captivating potential of verbal expression has emerged as a formidable force

board recruitment and job desc 3 nami 2022 admision cbp edu - Jan 05 2023

web board recruitment and job desc 3 nami 3 3 legal issues includes a disk of generic jo descriptions to use as is or modify for your practice the executive director s guide to thriving as a nonprofit leader transportation research board do you or your volunteers fear rejection or feel like a beggar when fundraising do you worry about

board recruitment and job desc 3 nami bueng - Feb 23 2022

web jun 6 2023 the board recruitment and job desc 3 nami join that we have the capital for here and check out the link under specific circumstances you in the same way attain not find the publication board recruitment and job desc 3 nami that you are looking for you could buy tutorial board recruitment and job desc 3 nami or get it

2022 yılı merkez ve taşra teşkilatında Çalıştırılmak Üzere 4 b - May 09 2023

web may 26 2022 3 kişisel verilerin toplanma yöntemi Çerezler ziyaret edilen internet siteleri tarafından tarayıcılar aracılığıyla cihaza veya ağ sunucusuna depolanan küçük metin dosyalarıdır web sitemiz ziyaret edildiğinde kişisel verilerin saklanması için herhangi bir çerez kullanılmamaktadır

board recruitment and job desc 3 nami 2022 admision cbp edu - Dec 04 2022

web board recruitment and job desc 3 nami 3 3 major focus of this two volume reference work is on the specific roles and skills required of the non profit leader in voluntary organizations key features include contributions from a wide range of authors who reflect the variety vibrancy and creativity of the sector itself an overview of the

dsİ 3 bin 231 personel alımı yapacak 2022 dsİ personel alımı - Mar 07 2023

web may 23 2022 devlet su İşleri genel müdürlüğü bünyesinde görevlendirilmek üzere 3 bin 231 personel alımı yapılacak tarım ve orman bakanlığı tarafından yayınlanan duyuru ile dsİ başvuru

board recruitment and job desc 3 nami banpaen - Mar 27 2022

web jun 9 2023 along with instructions you could take pleasure in the present is board recruitment and job desc 3 nami

below in the home work environment or perhaps in your approach can be every prime spot within internet connections

[board recruitment and job desc 3 nami the national](#) - Jul 11 2023

web just add board recruitment and job desc 3 nami the national of guset user to my favorites embed board recruitment and job desc 3 nami the national to websites for free check 70 flipbooks from guset user

sÖzleşmelİ personel alimi sÖzlÜ sinavina katılan - Nov 03 2022

web aug 26 2022 sÖzleşmelİ personel alimi sÖzlÜ sinavina katılan adaylarin dİkkatİne26 08 2022 t c İstanbul bÖlge adlıye mahkemesİ adalet komİsyonu başkanlıĖı sayı 2022 1341 muh 26 08 2022 sÖzleşmelİ personel alimi sÖzlÜ sinavina katılan adaylarin dİkkatİne adalet bakanlıĖı

board recruitment and job desc 3 nami download only - Apr 08 2023

web board recruitment and job desc 3 nami newsletters in print feb 03 2023 with descriptions of more than 12 000 newsletters in 4 000 different subject areas this comprehensive resource is an invaluable research tool reports on forest administration in burma oct 31 2022 national union catalog jan 10 2021 includes entries for maps and

board recruitment and job desc 3 nami the national - Aug 12 2023

web jun 4 2016 view flipping ebook version of board recruitment and job desc 3 nami the national published by on 2016 06 04 interested in flipbooks about board recruitment and job desc 3 nami the national

board recruitment and job desc 3 nami uniport edu - Jul 31 2022

web mar 19 2023 board recruitment and job desc 3 nami 2 8 downloaded from uniport edu ng on march 19 2023 by guest allows quick access to relevant journal articles and to the sources of chemicals required for the procedures selective concentration on higher plant methods allows for particular emphasis on those problems specific to plants

oracle project billing user guide - May 11 2023

you can assign and override the bill rates that are defined during implementation use the bill rates and overrides options in the projects templates window to override bill rates see more

oracle project billing user guide - Mar 09 2023

web students will learn through the use of tutorials supplemented with guided demonstrations and hands on practices learn to understand the impacts of key implementation

[oracle r12 student guide for projects fliphtml5](#) - Mar 29 2022

web oracle project billing enables you to collect project costs in multiple currencies and converts all amounts to a common project currency for funding checks and wip

master the fundamentals of project billing with oracle r12 2 - Feb 08 2023

web overview of oracle project billing oracle project billing provides you with the ability to define revenue and invoicing rules

for your projects generate revenue create invoices

oracle project billing user guide - Apr 10 2023

a bill rate is an amount or percentage that is applied to a unit of time and materials to calculate revenue and invoicing bill rates are used for see more

want to learn oracle projects project costing project billing - Jul 01 2022

web install and implement oracle internet expenses set profile options to enable project related expense report entry set expense report approval profile options define the

oracle mylearn - Sep 03 2022

web oracle project billing together with oracle project costing provides a complete integrated project billing solution oracle project billing can automate revenue

oracle project billing student guide bpb 2023 - Jan 27 2022

web sep 29 2016 oracle project billing together with oracle project costing provides a complete integrated project billing solution overview create contract project type

oracleprojectbillingstudentguide 2022 dev sfcg - Nov 24 2021

web nov 9 2015 check pages 1 3 of oracle r12 student guide for projects in the flip pdf version oracle r12 student guide for projects was published by on 2015 11 09 find

oracle projects implementation guide - Nov 05 2022

web oracle general ledger user s guide this guide provides you with information on how to use oracle general ledger use this guide to learn how to create and maintain ledgers

[oracle project billing student guide pdf uniport edu](#) - Dec 26 2021

web oracle r12 project accounting pa training 1st session youtube oracle project accounting training contact us us number 1 646 491 6833 india numbers 91

oracle project billing user guide - Jun 12 2023

you use billing methods to specify how oracle projects generates bills for projects the following table shows the predefined billing methods in oracle projects to specify see more

oracle project billing user guide - Oct 24 2021

web billing student guide club oracle forumsoracle project billing helps improve cash flow and project profitability by streamlining and managing your billing processes

oracle projects implementation guide - Jan 07 2023

web this guide contains the information you need to understand and use oracle project billing see related information sources

for more oracle applications product

pa oracle r12 project billing training manual - May 31 2022

web oracle project billing you can flexibly set up bill rates to calculate revenue and invoicing for your time and materials

projects you can define bill rates for specific employees

project billing oracle products - Dec 06 2022

web contract projects overview of contract projects entering a contract project and generating revenue and invoices billing

methods rates assigning bill rates

r12 x oracle project billing fundamentals oracle - Jul 13 2023

a contract project is the primary billing unit at which you specify the following information 1 revenue accrual method 2

billing method 3 see more

oracle project billing - Oct 04 2022

web the main learning objectives of the r12 2 oracle project billing fundamentals course include understanding the role and

features of oracle project billing within an oracle

oracle r12 project accounting pa training 1st session - Apr 29 2022

web oracle mylearn your personalized learning experience build new skills with oracle cloud training courses and advance

your career with an oracle certification

oracle project billing student guide copy old talentsprint - Feb 25 2022

web mar 14 2010 projects ebs mosc discussions want to learn oracle projects project costing project billing mar 14 2010 6

11pm edited mar 21 2010 11 36am 3 comments

oracle project billing user guide - Aug 14 2023

you use contract projects to track activities cost revenue and billing for services performed for and reimbursed by a customer

types of contract projects include 1 time and materials 2 fixed price 3 cost plus related topics setting up a contract project

funding a contract project accruing revenue for a see more

oracle project billing - Aug 02 2022

web key features drive enterprise profitability streamline invoicing to speed up the payment cycle and track project

profitability improve cash flow invoice accurately and in a