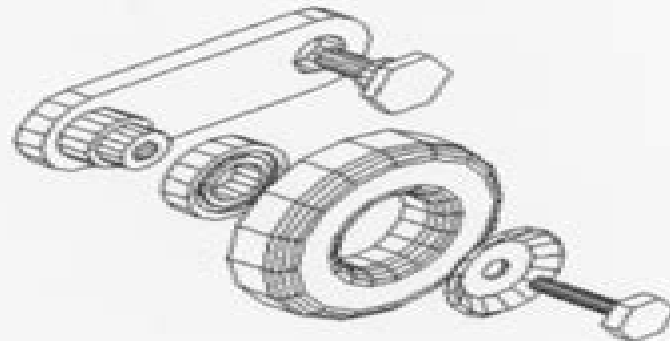
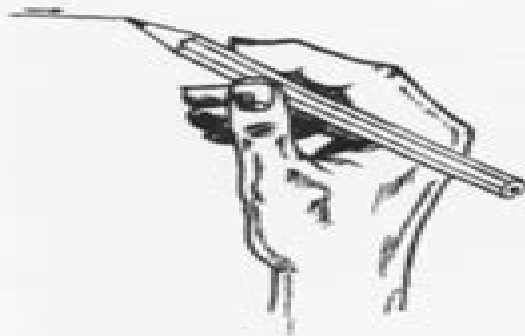


# Engineering Graphics Workbook

By  
Jerry W. Craig and Orval B. Craig



Series 1

**Schroff Development Corporation**

# **Engineering Graphics Workbook Solutions**

**Jerry W. Craig, Orval B. Craig**



Engineering Graphics Workbook Solutions

**Engineering Graphics Workbook** Alfred S. Gaskell,1970

*Solutions Manual for Drawing Workbook for Engineering Drawing and Design, Fifth Edition, and Drawing Workbook for Fundamentals of Engineering Drawing, Fourth Edition* Cecil Howard Jensen,Jay D. Helsel,1997

**Solutions Manual for Drawing Workbook for Engineering Drawing and Design and Drawing Workbook for Fundamentals of Engineering Drawing** Cecil Howard Jensen,Jay D. Helsel,2002

Engineering Graphics and Design Dr. T Jeyapoovan, This is a completely revised book in line with Outcome Based Education OBE that is currently being followed by most universities Also the engineering drawings in the book have been prepared using the latest version of AutoCAD The book has all the assessment tools like assessment exercise short answer questions with answers fill in the blanks and multiple choice questions MCQs A special feature of this book is that free downloads of i additional learning material ii PowerPoint presentations and iii video lectures are available on the author s website [www.EGlive.in](http://www.EGlive.in)

**Solutions Manual to Accompany Workbookii Series a Graphics in Engineering Design** A. S. Levens,F. H. Schneider,1980-06-18

Engineering Design Graphics James M. Leake,Molly Hathaway Goldstein,Jacob L. Borgerson,2022-04-05 The most accessible and practical roadmap to visualizing engineering projects In the newly revised Third Edition of Engineering Design Graphics Sketching Modeling and Visualization renowned engineering graphics expert James Leake delivers an intuitive and accessible guide to bringing engineering concepts and projects to visual life Including updated coverage of everything from freehand sketching to solid modeling in CAD the author comprehensively discusses the tools and skills you ll need to sketch draw model document design manufacture or simulate a project

**Engineering Graphics Essentials with AutoCAD 2021 Instruction** Kirstie Plantenberg,2020-07 Engineering Graphics Essentials with AutoCAD 2021 Instruction gives students a basic understanding of how to create and read engineering drawings by presenting principles in a logical and easy to understand manner It covers the main topics of engineering graphics including tolerancing and fasteners while also teaching students the fundamentals of AutoCAD 2021 This book features independent learning material containing supplemental content to further reinforce these principles Through its many different exercises this text is designed to encourage students to interact with the instructor during lectures and it will give students a superior understanding of engineering graphics and AutoCAD The independent learning material allows students to go through the topics of the book independently The main content of the material contains pages that summarize the topics covered in the book Each page has voice over content that simulates a lecture environment There are also interactive examples that allow students to go through the instructor led and in class student exercises found in the book on their own Video examples are also included to supplement the learning process Multimedia Content Summary pages with audio lectures Interactive exercises and puzzles Videos demonstrating how to solve selected problems AutoCAD video tutorials Supplemental problems and solutions Tutorial starter files Each chapter contains these types of exercises Instructor led in class exercises Students complete these exercises in class using information presented by the instructor using the PowerPoint slides included in the instructor files In class student exercises These are exercises that students complete in class using the principles presented in the lecture Video Exercises These exercises are found in the text and correspond to videos found in the independent learning material In the videos the author shows how to complete the exercise as well as other possible solutions and common mistakes to avoid Interactive Exercises These exercises are found in the independent learning material and allow students to test what they ve learned and instantly see the results End of chapter problems These problems allow students to apply the principles presented in the book All exercises are on perforated pages that can be handed in as assignments Review Questions The review questions are meant to encourage students to recall and consider the content found in the text by having them formulate descriptive answers to these questions Crossword Puzzles Each chapter features a short crossword puzzle that emphasizes important terms phrases concepts and symbols found in the text

**Engineering Graphics Workbook** Jerry W. Craig,1994

**Practical Drafting** Melvin G. Peterman,1999-01

**Solutions to Problems in Engineering Drawing** Albert William Boundy,Harold Greer,1974

Solutions Manual to Accompany Workbook 3 Series a Graphics in Engineering Design Levens,1980-11-01

**Engineering Graphics and Design** Engineering Graphics and Design, This book covers complete syllabus of Engineering Graphics and Design along with AUTOCAD catering requirements of B Tech in Engineering The book is in easy to understand simple English It provides step by step solutions to problems along with suitable example and proper drawings Using AutoCAD and Solid Work All chapter make learning easy with unique features such as Summary Solved examples and Practice Problems Chapters have been organised to present data in concise format with suitable tables diagrams drawings and illustration

**Engineering Graphics** A. M. Chandra,Satish Chandra,2003 This text aims to explain the principles and construction of engineering graphics in an elementary manner It covers drawing instruments lettering and dimensioning geometrical construction isometric projections and computer aided drafting

*Engineering Graphics Using Autocad, 7th Edition* Jeyapoovan T., The book has all the assessment tools like assessment exercise short questions with answers fill in the blanks and multiple choice questions MCQ

**Engineering Drawing** Kenneth Ronald Hart,1975

**ENGINEERING GRAPHICS WITH AUTOCAD** D. M. KULKARNI,A. P. RASTOGI,A. K. SARKAR,2009-04-13 Designed as a text for the undergraduate students of all branches of engineering this compendium gives an opportunity to learn and apply the popular drafting software AutoCAD in designing projects The textbook is organized in three comprehensive parts Part I AutoCAD deals with the basic commands of AutoCAD a popular drafting software used by engineers and architects Part II Projection Techniques contains various projection techniques used in engineering for technical drawings These techniques have been explained with a number of line diagrams to make them simple to the students Part III Descriptive Geometry mainly deals with 3 D objects that require imagination The accompanying CD contains the animations using creative multimedia and PowerPoint presentations for all chapters In a nutshell this textbook will help students maintain their cutting edge in the professional job market **KEY FEATURES** Explains fundamentals of imagination skill in generic and basic forms to crystallize concepts Includes chapters on aspects of technical drawing and AutoCAD as a tool Treats problems in the third angle as well as first angle methods of projection in line with the revised code of Indian Standard Code of Practice for General Drawing

**Engineering Graphics Essentials with AutoCAD 2012 Instruction** Kirstie Plantenberg,2011-06-20 Engineering Graphics Essentials with AutoCAD 2012 Instruction gives students a basic understanding of how to create and read engineering drawings by presenting principles in a logical and easy to understand manner It covers the main topics of engineering graphics including tolerancing and fasteners while also teaching them the fundamentals of AutoCAD 2012 This book features an independent learning CD containing supplemental content to further reinforce these principles Through its many different exercises this text is designed to encourage students to interact with the instructor during lectures and it will give students a superior understanding of engineering graphics and AutoCAD The enclosed independent learning CD allows the learner to go through the topics of the book independently The main content of the CD contains pages that summarize the topics covered in the book Each page has voice over content that simulates a lecture environment There are also interactive examples that allow the learner to go through the instructor led and in class student exercises found in the book on their own Video examples are also included to supplement the learning process Each chapter contains these types of exercises Instructor led in class exercises Students complete these exercises in class using information presented by the instructor using the PowerPoint slides on the instructor CD In class student exercises These are exercises that students complete in class using the principles presented in the lecture Video Exercises These exercises are found in the text and correspond to videos found on the CD In the videos the author shows how to complete the exercise as well as other possible solutions and common mistakes to avoid Interactive Exercises These exercises are found on the CD and allow students to test what they ve learned and instantly see the results End of chapter problems These problems allow students to apply the principles presented in the book All exercises are on perforated pages that can be handed in as assignments Review Questions The review questions are meant to encourage students to recall and consider the content found in the text by having them formulate descriptive answers to these questions Crossword Puzzles Each chapter features a short crossword puzzle that emphasizes important terms phrases concepts and symbols found in the text

**Engineering Graphics Essentials with AutoCAD 2022 Instruction** Kirstie Plantenberg,2021-07 Engineering Graphics Essentials with AutoCAD 2022 Instruction gives students a basic understanding of how to create and read engineering drawings by presenting principles in a logical and easy to understand manner It covers the main topics of engineering graphics including tolerancing and fasteners while also teaching students the fundamentals of AutoCAD 2022 This book features independent learning material containing supplemental content to further reinforce these principles Through its many different exercises this text is designed to encourage students to interact with the instructor during lectures and it will give students a superior understanding of engineering graphics and AutoCAD The independent learning material allows students to go through the topics of the book independently The main content of the material contains pages that summarize the topics covered in the book Each page has voice over content that simulates a lecture environment There are also interactive examples that allow students to go through the instructor led and in class student exercises found in the book on their own Video examples are also included to supplement the learning process Multimedia Content Summary pages with audio lectures includes closed captioning Interactive exercises and puzzles Videos demonstrating how to solve selected problems includes closed captioning AutoCAD video tutorials includes closed captioning Supplemental problems and solutions Tutorial starter files

*Engineering Graphics* William Perkins Spence,1985

**Engineering Graphics Essentials** Kirstie Plantenberg,2010-03 Engineering Graphics Essentials Fourth Edition gives students a basic understanding of how to create and read engineering drawings by presenting principles in a logical and easy to understand manner It covers the main topics of engineering graphics including tolerancing and fasteners This book also features an independent learning DVD containing supplemental content to further reinforce these principles Through its many different exercises this text is designed to encourage students to interact with the instructor during lectures and it will give students a superior understanding of engineering graphics The enclosed independent learning DVD allows the learner to go through the topics of the book independently The main content of the DVD contains pages that summarize the topics covered in the book Each page has voice over content that simulates a lecture environment There are also interactive examples that allow the learner to go through the instructor led and in class student exercises found in the book on their own Video examples are also included to supplement the learning process DVD Content Summary pages with voice over lecture content Interactive exercises Video examples Supplemental problem solutions

The Top Books of the Year Engineering Graphics Workbook Solutions The year 2023 has witnessed a noteworthy surge in literary brilliance, with numerous compelling novels enthralling the hearts of readers worldwide. Lets delve into the realm of top-selling books, exploring the engaging narratives that have captivated audiences this year. The Must-Read : Colleen Hoover "It Ends with Us" This heartfelt tale of love, loss, and resilience has captivated readers with its raw and emotional exploration of domestic abuse. Hoover expertly weaves a story of hope and healing, reminding us that even in the darkest of times, the human spirit can triumph. Engineering Graphics Workbook Solutions : Taylor Jenkins Reids "The Seven Husbands of Evelyn Hugo" This spellbinding historical fiction novel unravels the life of Evelyn Hugo, a Hollywood icon who defies expectations and societal norms to pursue her dreams. Reids compelling storytelling and compelling characters transport readers to a bygone era, immersing them in a world of glamour, ambition, and self-discovery. Discover the Magic : Delia Owens "Where the Crawdads Sing" This captivating coming-of-age story follows Kya Clark, a young woman who grows up alone in the marshes of North Carolina. Owens spins a tale of resilience, survival, and the transformative power of nature, entrancing readers with its evocative prose and mesmerizing setting. These bestselling novels represent just a fraction of the literary treasures that have emerged in 2023. Whether you seek tales of romance, adventure, or personal growth, the world of literature offers an abundance of compelling stories waiting to be discovered. The novel begins with Richard Papan, a bright but troubled young man, arriving at Hampden College. Richard is immediately drawn to the group of students who call themselves the Classics Club. The club is led by Henry Winter, a brilliant and charismatic young man. Henry is obsessed with Greek mythology and philosophy, and he quickly draws Richard into his world. The other members of the Classics Club are equally as fascinating. Bunny Corcoran is a wealthy and spoiled young man who is always looking for a good time. Charles Tavis is a quiet and reserved young man who is deeply in love with Henry. Camilla Macaulay is a beautiful and intelligent young woman who is drawn to the power and danger of the Classics Club. The students are all deeply in love with Morrow, and they are willing to do anything to please him. Morrow is a complex and mysterious figure, and he seems to be manipulating the students for his own purposes. As the students become more involved with Morrow, they begin to commit increasingly dangerous acts. The Secret History is a exceptional and suspenseful novel that will keep you wondering until the very end. The novel is a warning tale about the dangers of obsession and the power of evil.

[https://offsite.creighton.edu/About/detail/Download\\_PDFS/Military\\_Pay\\_Stub\\_Example.pdf](https://offsite.creighton.edu/About/detail/Download_PDFS/Military_Pay_Stub_Example.pdf)

[https://offsite.creighton.edu/About/detail/Download\\_PDFS/Membrane\\_Sweep\\_In\\_Spanish.pdf](https://offsite.creighton.edu/About/detail/Download_PDFS/Membrane_Sweep_In_Spanish.pdf)

[https://offsite.creighton.edu/About/detail/Download\\_PDFS/Michael\\_Symon\\_Diet.pdf](https://offsite.creighton.edu/About/detail/Download_PDFS/Michael_Symon_Diet.pdf)

## Table of Contents Engineering Graphics Workbook Solutions

1. Understanding the eBook Engineering Graphics Workbook Solutions
  - The Rise of Digital Reading Engineering Graphics Workbook Solutions
  - Advantages of eBooks Over Traditional Books
2. Identifying Engineering Graphics Workbook Solutions
  - Exploring Different Genres
  - Considering Fiction vs. Non-Fiction
  - Determining Your Reading Goals
3. Choosing the Right eBook Platform
  - Popular eBook Platforms
  - Features to Look for in an Engineering Graphics Workbook Solutions
  - User-Friendly Interface
4. Exploring eBook Recommendations from Engineering Graphics Workbook Solutions
  - Personalized Recommendations
  - Engineering Graphics Workbook Solutions User Reviews and Ratings
  - Engineering Graphics Workbook Solutions and Bestseller Lists
5. Accessing Engineering Graphics Workbook Solutions Free and Paid eBooks
  - Engineering Graphics Workbook Solutions Public Domain eBooks
  - Engineering Graphics Workbook Solutions eBook Subscription Services
  - Engineering Graphics Workbook Solutions Budget-Friendly Options
6. Navigating Engineering Graphics Workbook Solutions eBook Formats
  - ePub, PDF, MOBI, and More
  - Engineering Graphics Workbook Solutions Compatibility with Devices
  - Engineering Graphics Workbook Solutions Enhanced eBook Features
7. Enhancing Your Reading Experience
  - Adjustable Fonts and Text Sizes of Engineering Graphics Workbook Solutions
  - Highlighting and Note-Taking Engineering Graphics Workbook Solutions
  - Interactive Elements Engineering Graphics Workbook Solutions
8. Staying Engaged with Engineering Graphics Workbook Solutions



- Joining Online Reading Communities
  - Participating in Virtual Book Clubs
  - Following Authors and Publishers Engineering Graphics Workbook Solutions
9. Balancing eBooks and Physical Books Engineering Graphics Workbook Solutions
- Benefits of a Digital Library
  - Creating a Diverse Reading Collection Engineering Graphics Workbook Solutions
10. Overcoming Reading Challenges
- Dealing with Digital Eye Strain
  - Minimizing Distractions
  - Managing Screen Time
11. Cultivating a Reading Routine Engineering Graphics Workbook Solutions
- Setting Reading Goals Engineering Graphics Workbook Solutions
  - Carving Out Dedicated Reading Time
12. Sourcing Reliable Information of Engineering Graphics Workbook Solutions
- Fact-Checking eBook Content of Engineering Graphics Workbook Solutions
  - Distinguishing Credible Sources
13. Promoting Lifelong Learning
- Utilizing eBooks for Skill Development
  - Exploring Educational eBooks
14. Embracing eBook Trends
- Integration of Multimedia Elements
  - Interactive and Gamified eBooks

### **Engineering Graphics Workbook Solutions Introduction**

In today's digital age, the availability of Engineering Graphics Workbook Solutions books and manuals for download has revolutionized the way we access information. Gone are the days of physically flipping through pages and carrying heavy textbooks or manuals. With just a few clicks, we can now access a wealth of knowledge from the comfort of our own homes or on the go. This article will explore the advantages of Engineering Graphics Workbook Solutions books and manuals for download, along with some popular platforms that offer these resources. One of the significant advantages of Engineering Graphics Workbook Solutions books and manuals for download is the cost-saving aspect. Traditional books and manuals can

be costly, especially if you need to purchase several of them for educational or professional purposes. By accessing Engineering Graphics Workbook Solutions versions, you eliminate the need to spend money on physical copies. This not only saves you money but also reduces the environmental impact associated with book production and transportation. Furthermore, Engineering Graphics Workbook Solutions books and manuals for download are incredibly convenient. With just a computer or smartphone and an internet connection, you can access a vast library of resources on any subject imaginable. Whether you're a student looking for textbooks, a professional seeking industry-specific manuals, or someone interested in self-improvement, these digital resources provide an efficient and accessible means of acquiring knowledge. Moreover, PDF books and manuals offer a range of benefits compared to other digital formats. PDF files are designed to retain their formatting regardless of the device used to open them. This ensures that the content appears exactly as intended by the author, with no loss of formatting or missing graphics. Additionally, PDF files can be easily annotated, bookmarked, and searched for specific terms, making them highly practical for studying or referencing. When it comes to accessing Engineering Graphics Workbook Solutions books and manuals, several platforms offer an extensive collection of resources. One such platform is Project Gutenberg, a nonprofit organization that provides over 60,000 free eBooks. These books are primarily in the public domain, meaning they can be freely distributed and downloaded. Project Gutenberg offers a wide range of classic literature, making it an excellent resource for literature enthusiasts. Another popular platform for Engineering Graphics Workbook Solutions books and manuals is Open Library. Open Library is an initiative of the Internet Archive, a non-profit organization dedicated to digitizing cultural artifacts and making them accessible to the public. Open Library hosts millions of books, including both public domain works and contemporary titles. It also allows users to borrow digital copies of certain books for a limited period, similar to a library lending system. Additionally, many universities and educational institutions have their own digital libraries that provide free access to PDF books and manuals. These libraries often offer academic texts, research papers, and technical manuals, making them invaluable resources for students and researchers. Some notable examples include MIT OpenCourseWare, which offers free access to course materials from the Massachusetts Institute of Technology, and the Digital Public Library of America, which provides a vast collection of digitized books and historical documents. In conclusion, Engineering Graphics Workbook Solutions books and manuals for download have transformed the way we access information. They provide a cost-effective and convenient means of acquiring knowledge, offering the ability to access a vast library of resources at our fingertips. With platforms like Project Gutenberg, Open Library, and various digital libraries offered by educational institutions, we have access to an ever-expanding collection of books and manuals. Whether for educational, professional, or personal purposes, these digital resources serve as valuable tools for continuous learning and self-improvement. So why not take advantage of the vast world of Engineering Graphics Workbook Solutions books and manuals for download and embark on your journey of knowledge?

### FAQs About Engineering Graphics Workbook Solutions Books

How do I know which eBook platform is the best for me? Finding the best eBook platform depends on your reading preferences and device compatibility. Research different platforms, read user reviews, and explore their features before making a choice. Are free eBooks of good quality? Yes, many reputable platforms offer high-quality free eBooks, including classics and public domain works. However, make sure to verify the source to ensure the eBook credibility. Can I read eBooks without an eReader? Absolutely! Most eBook platforms offer web-based readers or mobile apps that allow you to read eBooks on your computer, tablet, or smartphone. How do I avoid digital eye strain while reading eBooks? To prevent digital eye strain, take regular breaks, adjust the font size and background color, and ensure proper lighting while reading eBooks. What the advantage of interactive eBooks? Interactive eBooks incorporate multimedia elements, quizzes, and activities, enhancing the reader engagement and providing a more immersive learning experience. Engineering Graphics Workbook Solutions is one of the best book in our library for free trial. We provide copy of Engineering Graphics Workbook Solutions in digital format, so the resources that you find are reliable. There are also many Ebooks of related with Engineering Graphics Workbook Solutions. Where to download Engineering Graphics Workbook Solutions online for free? Are you looking for Engineering Graphics Workbook Solutions PDF? This is definitely going to save you time and cash in something you should think about.

### Find Engineering Graphics Workbook Solutions :

**military pay stub example**

[membrane sweep in spanish](#)

**michael symon diet**

**misty copeland childhood**

*michigan driving test book*

**missing mother poems**

[meryl streep birth chart](#)

**microsoft dynamics 365 business central field guide**

*menopause belly fat diet plan pdf*

*mla outline template word*

*micro-teaching steps*

**mike rashid workout**

**model employment termination act**

~~micHEL nostradamus religion~~

**mindfulness pdf book**

**Engineering Graphics Workbook Solutions :**

*understanding human communication ronald b adler george* - Apr 13 2023

web part one elements of communication human communication what and why the self perception and communication

language listening nonverbal

*understanding human communication twelfth edition ronald* - Jan 30 2022

**understanding human communication by b adler ronald** - Jun 03 2022

web english 1 volume various pagings 26 cm this best selling textbook for introductory human communication courses places communication theory within the context of

*understanding human communication 14e learning* - Jun 15 2023

web feb 21 2019 understanding human communication ronald b adler george r rodman alexandre sevigny oxford university press feb 21 2019 communication

**understanding human communication adler ronald b ronald** - Feb 28 2022

*understanding human communication ronald b adler free* - Sep 18 2023

web understanding human communication ronald b adler free download borrow and streaming internet archive by ronald b adler publication date 1988 topics

**understanding human communication adler ronald b ronald** - Jul 16 2023

web ronald brian adler george r rodman oxford university press 2006 language arts disciplines 522 pages now in its ninth edition this classic book retains the features

**download understanding human communication ronald b adler** - May 02 2022

web aug 3 2021 understanding human communication twelfth edition ronald adler george rodman athena du pre free download borrow and streaming internet

**understanding human communication ronald b adler george** - Feb 11 2023

web understanding human communication ronald brian adler george r rodman google books ronald brian adler george r rodman holt rinehart and winston

*understanding human communication paperback ronald b* - Sep 06 2022

web apr 11 2023 understanding human communication addresses students perception that they already know how to communicate an issue faced by every faculty member by

understanding human communication by ronald b - Mar 12 2023

web free pdf understanding human communication by george rodman 1982 part i elements of communication 1 human communication what and why

understanding human communication ronald brian adler - Nov 08 2022

web apr 11 2023 understanding human communication fifteenth edition author ronald b adler george rodman athena du pré and barbara cook overton publication date

*understanding human communication ronald b adler george* - Aug 05 2022

web download understanding human communication ronald b adler author benno kesselman from orientation sutd edu sg subject download understanding human

**understanding human communication adler ronald b ronald** - Apr 01 2022

*understanding human communication ronald b adler free* - Oct 19 2023

web aug 3 2021 understanding human communication ronald b adler free download borrow and streaming internet archive by ronald b adler topics

*pdf understanding human communication semantic scholar* - Oct 07 2022

web nov 17 2016 understanding human communication by adler ronald b books reference words language grammar enjoy fast free delivery exclusive deals

*understanding human communication by adler ronald b* - Jul 04 2022

web understanding human communication by adler ronald b ronald brian 1946 rodman george r 1948 publication date 1991 topics communication publisher

*pdf understanding human communication academia edu* - Dec 09 2022

web dec 6 2019 ronald b adler george rodman and athena du pré publication date 06 december 2019 isbn 9780190925697 480 pages paperback 8 1 2 x 11 inches in

*ronald b adler understanding human* - Aug 17 2023

web this best selling textbook for introductory human communication courses places communication theory within the context of everyday skills includes bibliographical

**understanding human communication ronald brian adler** - May 14 2023

web oxford university press incorporated 2000 communication 576 pages understanding human communication seventh edition by ronald b adler and

*understanding human communication adler ronald b ronald* - Jan 10 2023

web understanding human communication george r rodman ronald b adler published 1982 psychology part i elements of communication 1 human

le gardien du feu message de sagesse des peuples - Sep 04 2022

web le gardien du feu message de sagesse des peuples traditionnels pierre rabhi collection espaces libres 0 avis donner votre avis 186 pages parution le 02 01 2017 livre papier 7 90 livre numérique 6 99 expédié sous 5 jours livraison à partir de 0 01 dès 35 d achats pour une livraison en france métropolitaine quantité ajouter au panier

*le gardien du feu message de sagesse des peuples* - Feb 09 2023

web may 2 2003 le gardien du feu message de sagesse des peuples traditionnels a m esp libre rabhi pierre on amazon com free shipping on qualifying offers le gardien du feu message de sagesse des peuples traditionnels a m esp libre

le gardien du feu message de sagesse des peuples traditionnels - Jul 02 2022

web avec le gardien du feu on navigue encore dans des eaux frontalières où s interpénètrent le mythe et l histoire les rites

**le gardien du feu message de sagesse des peuples** - Mar 10 2023

web jan 2 2017 résumé depuis maintenant des décennies pierre rabhi mène un incessant combat pour la réhabilitation des cultures traditionnelles cultures au sens agricole du terme comme au sens spirituel

*le gardien du feu message de sagesse des peuples traditionnels* - Aug 15 2023

web le gardien du feu message de sagesse des peuples traditionnels 7 90 il ne reste plus que 2 exemplaire s en stock d autres exemplaires sont en cours d acheminement depuis maintenant des décennies pierre rabhi mène un incessant combat pour la réhabilitation des cultures traditionnelles cultures au sens agricole du terme comme au

*le gardien du feu message de sagesse des peuples traditionnels* - Jul 14 2023

web jan 2 2017 avec le gardien du feu on navigue encore dans des eaux frontalières où s interpénètrent le mythe et l histoire les rites traditionnels et les problématiques urgentes d aujourd hui la vie du jeune ahmed de son père moussa le forgeron de leur famille et de leur village nous est décrite dans une fresque où chaque bruit chaque odeur

*le gardien du feu message de sagesse des peuples traditionnels* - Jun 13 2023

web avec le gardien du feu on navigue encore dans des eaux frontalières où s interpénètrent le mythe et l histoire les rites traditionnels et les problématiques urgentes d aujourd hui la vie du jeune ahmed de son père moussa le forgeron de leur famille et de leur village nous est décrite dans une fresque où chaque bruit chaque odeur

*le gardien du feu message de sagesse des peuples* - Aug 03 2022

web jun 19 2003 le gardien du feu message de sagesse des peuples traditionnels rabhi pierre 9782226138385 books amazon ca

[le gardien du feu pierre rabhi babelio](#) - Nov 06 2022

web may 2 2003 ici nous est compté les traditions les croyances et la sagesse d un peuple qui disparaîtront pour faire place au progrès et à la civilisation comment la modernité s immisce sournoisement dans les moindres recoins de notre terre au détriment de notre liberté et de nos traditions

**le gardien du feu message de sagesse des peuples traditionnels** - Oct 05 2022

web le gardien du feu message de sagesse des peuples traditionnels rabhi pierre amazon ca livres

**le gardien du feu message de sagesse des peuples** - Apr 30 2022

web le gardien du feu message de sagesse des peuples traditionnels amazon com au books

*le gardien du feu message de sagesse des peuples* - Apr 11 2023

web le gardien du feu message de sagesse des peuples traditionnels espaces libres t 134 4 5 sur 5 étoiles afficher tous les formats et éditions 6 99 lisez avec notre 7 90 10 d occasion 2 16 7 20 du sahara aux cévennes véritable roman de l âme africaine

**amazon fr le gardien du feu message de sagesse des peuples** - Dec 27 2021

web noté 5 achetez le gardien du feu message de sagesse des peuples traditionnels de rabhi pierre isbn 9782226326737 sur amazon fr des millions de livres livrés chez vous en 1 jour

*le gardien du feu message de sagesse des peuples* - Jan 28 2022

web le gardien du feu message de sagesse des peuples traditionnels poche achat en ligne au meilleur prix sur e leclerc retrait gratuit dans de 700 magasins

**le gardien du feu message de sagesse des peuples** - Jan 08 2023

web le gardien du feu message de sagesse des peuples traditionnels rabhi pierre isbn 9782226326737 kostenloser versand für alle bücher mit versand und verkauf duch amazon

[le gardien du feu message de sagesse des peuples](#) - May 12 2023

web titre le gardien du feu message de sagesse des peuples traditionnels auteur rabhi pierre langue français format poche nombre de pages 186 genre spiritualité témoignages de sagesse date de publication 02 05 2003 Édition albin michel poids 0 14 kg dimensions 11 x 1 1 x 17 8 cm isbn 10 2226138382 isbn 13

**le gardien du feu message de sagesse des peuples peter** - Feb 26 2022

web le gardien du feu message de sagesse des peuples if you ally infatuation such a referred le gardien du feu message de sagesse des peuples books that will give you worth acquire the unconditionally best seller from us currently from several

preferred authors if you desire to funny books lots of novels tale jokes and more fictions

**le gardien du feu message de sagesse des peuples** - Jun 01 2022

web le gardien du feu message de sagesse des peuples traditionnels a m esp libre rabhi pierre amazon es libros

**le gardien du feu message de sagesse des peuples** - Mar 30 2022

web may 20 2023 livre le gardien du feu message de sagesse des peuples traditionnels pierre rabhi 1938 auteur edité par a michel paru en 2003 dans un village en plein désert saharien l histoire de moussa le feron et les siens où alternent

**le gardien du feu message de sagesse des peuples traditionnels** - Dec 07 2022

web may 2 2003 depuis maintenant des décennies pierre rabhi mène un incessant combat pour la réhabilitation des cultures traditionnelles cultures au sens agricole du terme comme au sens spirituel homme du concret il s est révélé également un admirable conteur dans le récit de son parcours hors du commun du sahara aux cévennes et dans ses

*photoshop elements 2023 tutorial for beginners youtube* - Oct 30 2022

web oct 10 2022 300 likes learn how to use photoshop elements in just 11 mins photoshop elements tutorial 2023 full guide here bit ly adobelements more at h

*adobe photoshop elements 7 cnet download* - Jan 01 2023

web free to try paid adobe photoshop elements 7 free download adobe photoshop adobe photoshop cc adobe photoshop extended and many more programs

*yükleme sorunlarını giderme photoshop elements premiere elements* - Jun 06 2023

web oct 6 2022 photoshop elements ve adobe premiere elements için kullanılan renk derinliği ve çözünürlüğü değiştirmek için windows 8 veya windows 7 ve vista nın renk derinliğini ve çözünürlüğünü değiştirme bölümüne bakın photoshop elements ve premiere elements ekran çözünürlüğünün en az 1024 x 768 olmasını gerektirir

**photoshop elements nuls abebooks** - Feb 19 2022

web photoshop elements 4 pour les nuls by mcclelland deke fott galen and a great selection of related books art and collectibles available now at abebooks com

[adobe photoshop elements 7 download fixthephoto com](#) - Jun 25 2022

web looking for safe adobe photoshop elements 7 download links learn more about free and legal ways to download the program in 2023 adobe photoshop elements is a popular graphics editor for hobbyists designers and photographers

**photoshop elements 7 pr nuls ead3 archivists** - Oct 10 2023

web photoshop elements 7 pr nuls photoshop elements 7 pr nuls 2 downloaded from ead3 archivists org on 2019 06 08 by guest program s many new features in this new version of the book you will receive complete coverage of all the new and improved features in photoshop elements 15 discover how to use smart tags and



[photoshop elements 2024 premiere elements 2024 adobe](#) - Mar 23 2022

web watch the video discover all the new ways to amaze with photoshop elements 2023 peek through overlay in one click transform your photos with effects inspired by famous works of art or popular art styles

**photoshop elements 2019 full tutorial for beginners youtube** - Sep 28 2022

web nov 1 2018 get into a new way of learning adobe photoshop elements 2019 pse 2019 getting started basics more at theskillsfactory com full guide here

**adobe photoshop elements 2022 4 İndir full full program İndir** - May 05 2023

web adobe photoshop elements 2022 4 İndir full en gelişmiş program yazılımı photoshop 2022 çıktı eğlenceli içerikler hazırlamanız için akıllı düzenleme özellikleri içeren fotoğraf düzenleme yazılımıdır

[téléchargement d adobe photoshop elements 2024 2023](#) - Apr 23 2022

web oct 18 2023 accédez à des liens directs de téléchargement pour obtenir photoshop elements 2024 et 2023

*photoshop elements 2022 tutorial for beginners youtube* - Jul 27 2022

web oct 18 2021 get into a new way of learning adobe photoshop elements 2022 full guide here bit ly adobelements more at theskillsfactory com enable subt

**photoshop elements i indirme ve yükleme adobe inc** - Mar 03 2023

web son güncelleme 18 eki 2023 photoshop elements i windows ve macos üzerinde nasıl indirip yükleyeceğinizi öğrenin photoshop elements kullanarak fotoğraflarınızla büyüleyebilirsiniz bilgisayarınızda birden fazla photoshop elements sürümü yüklü olabilir bu nedenle önceki sürümleri kaldırmaya gerek yoktur

**elements 7 adobe community 9245962** - Aug 28 2022

web community expert jul 14 2017 to be honest it would probably be best to upgrade to the current photoshop elements 15 and premiere elements 15 versions picture editor software photo enhancement tools adobe photoshop elements 15

**photoshop elements 7 pr nuls paperback 26 maart** - Jul 07 2023

web photoshop elements 7 pr nuls obermeier barbara povoda ted amazon nl boeken

*where can i find premier elements 7 to download adobe* - Sep 09 2023

web feb 7 2016 rebeccav53690579 i keep on finding photoshop elements 7 but i need to redownload premiere elements 7 0 after a computer reboot where can i find this

[adobe photoshop elements i indirme 2024 2023](#) - Apr 04 2023

web oct 18 2023 adobe photoshop elements 2023 not photoshop elements tamamen yükleninceye kadar İnternet e bağlı olarak kalın not İndirirken sorunlarla karşılaşırsanız aşağıdakilerden birini yapın yükleyici dosyasını indirmek için farklı bir

[bienvenue dans le guide de l utilisateur de photoshop elements](#) - Nov 30 2022

web oct 18 2023 utilisez ce guide pour savoir comment photoshop elements peut vous aider à créer modifier organiser et partager des images à l aide de fonctionnalités créatives et plus encore

**adobe photoshop elements 7 0 cnet download** - Feb 02 2023

web free to try paid adobe photoshop elements 7 0 free download adobe premiere elements adobe photoshop 7 0 scripting plug in adobe photoshop 7 0 1 update and many more programs

amazon com customer reviews photoshop elements 7 pour les nuls - May 25 2022

web find helpful customer reviews and review ratings for photoshop elements 7 pour les nuls at amazon com read honest and unbiased product reviews from our users

photoshop elements 7 0 download adobe support community - Aug 08 2023

web nov 6 2012 i need to download adobe photoshop elements 7 0 i got this with the purchase of my bamboo touch my last desktop crashed and i purchased a new desktop and i have my serial but no disk my adobe account has the product serial registered with it but i am unable to find a download link please help jason