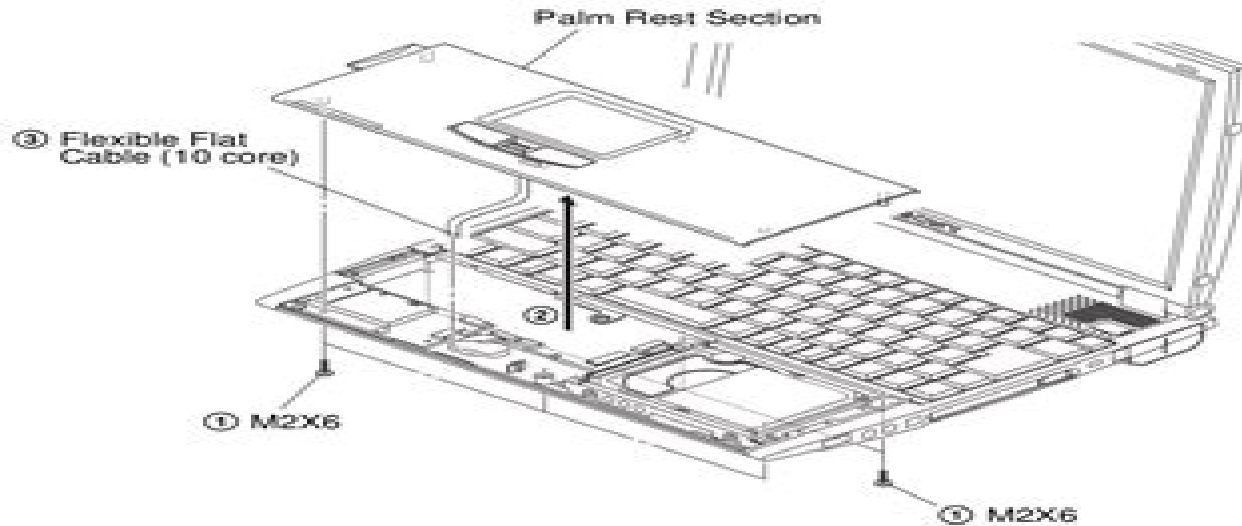
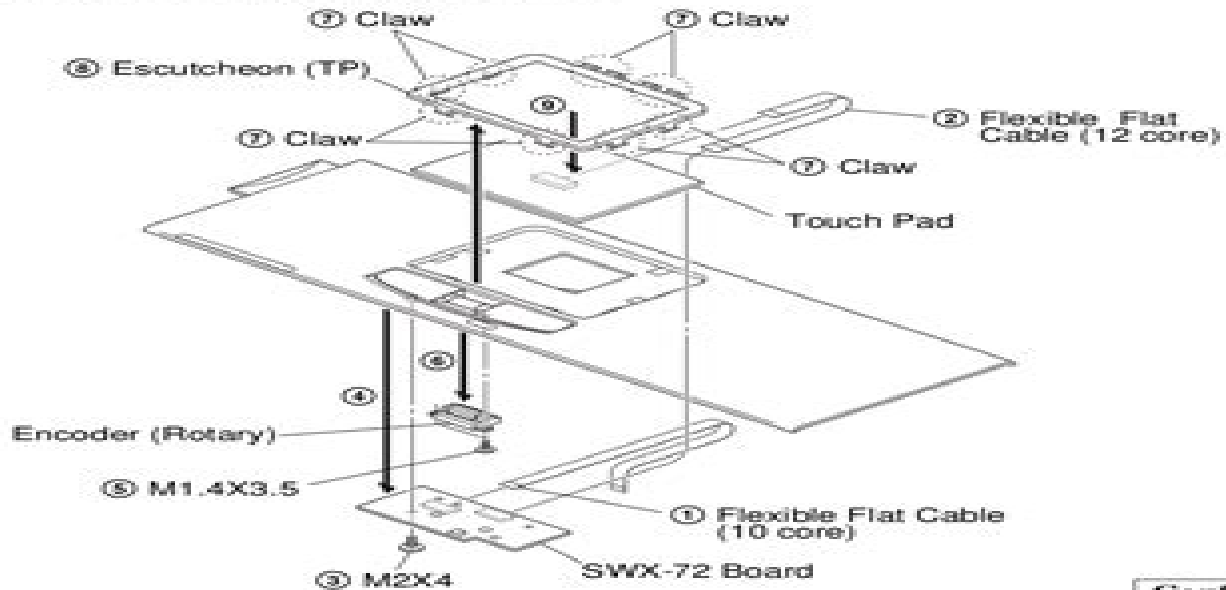


**2. Palm Rest Section**



**3. SWX-72 Board, Encoder (Rotary), Touch Pad**



# **Sony Vaio Laptop User Manual**

**Mike Collins**



# Sony Vaio Laptop User Manual

**Linux All-in-One Desk Reference For Dummies** Naba Barkakati,2005-01-07 Organized into eight task oriented minibooks this comprehensive 816 page guide shows beginning to intermediate users how to get up and running with today's top five Linux distributions Fedora Core SUSE Debian Xandros and Knoppix The companion DVD features the full installable versions of Fedora Core 3 and Knoppix and the ISO images saving hours of downloading time for the following distributions SUSE live Debian full version and Xandros Open Circulation version Features step by step installation instructions for each distribution The minibooks offer humorous easy to understand coverage of Linux basics desktops networking the Internet administration security Internet servers and programming Lets readers explore the most popular distributions for desktop and server use

**A Practical Guide to Fedora and Red Hat Enterprise Linux** Mark G. Sobell,2008-05-09 Master All the Techniques You Need to Succeed with Fedora and Red Hat Enterprise Linux in the Workplace You're studying Fedora and Red Hat Enterprise Linux with a single goal to succeed with these state of the art operating systems in real workplace environments In this book one of the world's leading Linux experts brings together all the knowledge you'll need to achieve that goal Writing in plain English best selling author Mark Sobell explains Linux clearly and effectively focusing on the skills you will actually use as a professional administrator user or programmer Sobell assumes no prior Linux knowledge He starts at the very beginning and walks you through every topic and skill that matters Step by step you'll learn how to install and configure Linux from the accompanying DVD navigate its graphical user interfaces set up Linux to provide file print sharing and Internet services make sure Linux desktops and networks are as secure as possible work with the powerful command line and administer Linux in real business environments Mark Sobell has taught hundreds of thousands of Linux and UNIX professionals He knows every Linux nook and cranny and he never forgets what it's like to be new to Linux Whatever your Linux related career goals this book gives you all you need and more Compared with the other Linux books out there **A Practical Guide to Fedora and Red Hat Enterprise Linux College Edition** delivers Complete up to the minute coverage of Fedora 8 and Enterprise Linux 5 Deeper coverage of the command line and the GNOME and KDE GUIs including customizing the desktop More practical coverage of file sharing using Samba NFS and FTP More usable realistic coverage of Internet server configuration including Apache sendmail NFS DNS BIND and LDAP More state of the art security techniques including SELinux Security Enhanced Linux ACLs Access Control Lists firewall setup using both the Red Hat GUI and iptables and a full chapter on OpenSSH More and better coverage of meat and potatoes system network administration tasks A more practical introduction to writing bash shell scripts Complete instructions on keeping Linux systems up to date using yum And much more including a 500 term glossary and a comprehensive index to help you find what you need fast Includes DVD Get the full version of the Fedora 8 release

**How to Do Everything with Your Sony VAIO (R)** Tom

Dunlap,2004-06-01 Here is a friendly solutions oriented guide to getting the most out of your Sony Vaio You ll find full coverage of all aspects of the laptop including adding peripherals using the bundled software linking to digital cameras and home stereos and performing routine maintenance and upgrades **A Practical Guide to Red Hat Linux** Mark G. Sobell,2007 A new edition of this title is available ISBN 10 0137142951 ISBN 13 9780137142958 Since I m in an educational environment I found the content of Sobell s book to be right on target and very helpful for anyone managing Linux in the enterprise His style of writing is very clear He builds up to the chapter exercises which I find to be relevant to real world scenarios a user or admin would encounter An IT IS student would find this book a valuable complement to their education The vast amount of information is extremely well balanced and Sobell manages to present the content without complicated asides and meandering prose This is a must have for anyone managing Linux systems in a networked environment or anyone running a Linux server I would also highly recommend it to an experienced computer user who is moving to the Linux platform Mary Norbury IT Director Barbara Davis Center University of Colorado at Denver from a review posted on slashdot org I had the chance to use your UNIX books when I when was in college years ago at Cal Poly San Luis Obispo CA I have to say that your books are among the best They re quality books that teach the theoretical aspects and applications of the operating system Benton Chan IS Engineer The book has more than lived up to my expectations from the many reviews I read even though it targets FC2 I have found something very rare with your book It doesn t read like the standard a technical text it reads more like a story It s a pleasure to read and hard to put down Did I say that David Hopkins Business Process Architect Thanks for your work and for the book you wrote There are really few books that can help people to become more efficient administrators of different workstations We hope in Russia that you will continue bringing us a new level of understanding of Linux UNIX systems Anton Petukhov Mark Sobell has written a book as approachable as it is authoritative Jeffrey Bianchine Advocate Author Journalist Excellent reference book well suited for the sysadmin of a Linux cluster or the owner of a PC contemplating installing a recent stable Linux Don t be put off by the daunting heft of the book Sobell has striven to be as inclusive as possible in trying to anticipate your system administration needs Wes Boudville Inventor A Practical Guide to Red Hat Linux is a brilliant book Thank you Mark Sobell C Pozrikidis University of California at San Diego This book presents the best overview of the Linux operating system that I have found It should be very helpful and understandable no matter what the reader s background is traditional UNIX user new Linux devotee or even Windows user Each topic is presented in a clear complete fashion and very few assumptions are made about what the reader knows The book is extremely useful as a reference as it contains a 70 page glossary of terms and is very well indexed It is organized in such a way that the reader can focus on simple tasks without having to wade through more advanced topics until they are ready Cam Marshall Marshall Information Service LLC Member of Front Range UNIX Users Group FRUUG Boulder Colorado Conclusively this is THE book to get if you are a new Linux user and you just got into RH Fedora world There s no other book

that discusses so many different topics and in such depth Eugenia Loli Queru Editor in Chief OSNews.com The Best Just Became BETTER Again Completely Revised to Meet All Your Fedora Core and Red Hat Enterprise Linux Needs Fedora Core and Red Hat Enterprise Linux are advanced operating systems You need a book that's just as advanced This book explains Linux clearly and effectively with a focus on features you care about from system security and Internet server setup to Windows file printer sharing Best selling author Mark Sobell starts at the beginning and walks you through everything that matters from installing Linux using the included DVD to working with GNOME KDE Samba sendmail Apache DNS NIS and iptables This edition contains extensive coverage including full chapters on using Linux from the command line and GUI even more thorough system administration and security guidance and up to the minute step by step instructions for setting up networks and every major type of Internet server Along the way you learn the hows and the whys Mark Sobell knows every Linux nook and cranny has taught hundreds of thousands of readers and never forgets what it's like to be new to Linux Whether you are a user an administrator or a programmer this book gives you all you need and more Don't settle for yesterday's Linux book get the ONLY book that meets today's challenges and tomorrow's Compared with the other Linux books out there A Practical Guide to Red Hat Linux Third Edition delivers Complete coverage of Fedora Core and Red Hat Enterprise Linux Deeper coverage of the command line and the GNOME and KDE GUIs including GUI customization More practical coverage of file sharing with Samba NFS and FTP More detailed usable coverage of Internet server configuration including Apache sendmail NFS and DNS BIND More state of the art security techniques including SELinux Security Enhanced Linux ACLs Access Control Lists firewall setup using the Red Hat GUI and using iptables and a full chapter on OpenSSH More and better coverage of meat and potatoes system network administration tasks A more practical introduction to writing bash shell scripts Complete instructions on how to keep your Linux system up to date using yum And much more including a 500 term glossary and a comprehensive index to help you find what you need fast Includes DVD Get the full version of Red Hat's Fedora Core 5 release

**The Complete Idiot's Guide to eBay, 2nd Edition** Lissa Mcgrath, Skip McGrath, 2010-01-05 Experts explain the new eBay eBay users new and experienced also need a clear convenient reference for optimum results In this revised edition readers will find Tips on how to set up an account Buying and selling Protecting one's identity Finding the best deals Making fast and profitable sales Revised version includes major changes to eBay as of July 2009 which change users experience Authors deeply involved and influential in the eBay community as sellers and educators Tens of millions of people use eBay every day and three quarters of a million people earn their living with it

[A Professional Guide to Audio Plug-ins and Virtual Instruments](#) Mike Collins, 2012-08-21 If you are an audio professional needing a complete reference to the complex world of plug ins and virtual instruments look no further Mike Collins author of Pro Tools for Music Production has meticulously surveyed the scene showing what's available and how they integrate into the various host platforms The book explains the differences between TDM RTS MAS and VST plug ins how they can be used

with different MIDI Audio programs and shows the range of options available It also explains virtual instruments and how these can be used as either plug ins or stand alone products A must for every recording studio The book combines explanations overviews and key concepts with practical considerations and hands on examples The reader will gain a broad understanding of the options available how they work and the possibilities for integration with systems as well as the end result The book also includes a section on how to write your own plug ins and a suggested standard plug ins portfolio for those wanting to get started quickly

**The Official Ubuntu Book** Benjamin Mako Hill,2007 The official guide to the hottest Linux distribution which starts you out and points you in the direction you want to go

A Practical Guide to Video and Audio Compression Cliff Wootton,2005-04-28 Learn all about Codecs how they work as well as design and implementation with this comprehensive easy to use guide to compression After reading this book you will be able to prepare and distribute professional audio and video on any platform including streamed to the web broadcast on air stored in PVRs Burned onto CD ROMs or DVDs delivered by broadband or viewed in Kiosk applications PDA devices and mobile phones

**D.I.Y Laptop Repair; The Portable Field Reference Guide** Garry Romaneo,2011-10-23 This book will educate you on the Correct Process of Repairing The Entire Laptop Including and concentrating more on Motherboard Repair Instruction Screen Repairing Component Level Diagnosing and Repairing This is the 3rd Book Released By Author Garry Romaneo The Worlds Leading Laptop Repair Technician Author and Consultant About the author Garry Romaneo has been repairing laptop computers and micro components for over 21 years and is known worldwide for teaching his methods and techniques This is the Third Book released by Author Garry Romaneo and continue to offer an Online Interactive version as an alternative or in addition to this paperback edition visit [www diy laptoprepair com](http://www.diy.laptoprepair.com)

The Complete Guide to Sony's Alpha 560 and 580 Digital SLR Cameras , A Practical Guide to Computer Forensics Investigations Darren R. Hayes,2015 A Practical Guide to Computer Forensics Investigations introduces the newest technologies along with detailed information on how the evidence contained on these devices should be analyzed Packed with practical hands on activities students will learn unique subjects from chapters including Mac Forensics Mobile Forensics Cyberbullying and Child Endangerment This well developed book will prepare students for the rapidly growing field of computer forensics for a career with law enforcement accounting firms banks and credit card companies private investigation companies or government agencies

**Library of Congress Subject Headings** Library of Congress,2013

The Complete Idiot's Guide to Private Investigating Steven Kerry Brown,2007 An updated and revised edition of the most highly recommended guide to learning to be a private investigator or just using the tools PIs do to understand what goes on in your local courthouse find information in public records and perform searches to save you time and money Among the changes for this edition Completely new chapters on skip tracing Up to date information on how to make money by understanding your local courthouse and finding not so hidden gems in public records Under the radar databases you need to know about Completely new and hot chapters on due diligence searches including pre

employment and tenant screening investigations and adoption searches      **The Complete Idiot's Guide to Screenwriting** Skip Press,2004 The Complete Idiot s Guide to Screenwriting Second Edition is an updated and revised edition of this practical and popular guide to realizing the dream of succeeding as a screenwriter Insider Skip Press gives novice screenwriters a cook s tour of the industry then leads them through the process of choosing a winning idea structuring and writing a screenplay and packaging the final script for sale This down in the trenches book provides invaluable tips and advice that will help the newcomer navigate the business and avoid mistakes that brand him her as an amateur Also included are chapters on writing for television including a sample TV script segment      The Complete Guide to Game Audio Aaron Marks,2012-10-12 Turn your musical passion into a profitable career with this essential guide to the business and technical skills you need to succeed in the multi billion dollar games industry Step by step instructions lead you through the entire music and sound effects process from developing the essential skills and purchasing the right equipment to keeping your clients happy Learn everything you need to Find the jobs Identify your niche implement a business and marketing plan that includes a great demo reel and plug into the established network to find clients Make the deals Make the bidding and contract process work for you by knowing the standard industry terminology understanding how to set fees and employing non confrontational negotiating tactics to reach sound agreements that establish acceptable boundaries for change orders reworks payment options and other essentials Create music and sound effects for games Master the exacting specifications for composing music and creating sound effects on the various gaming platforms and systems The companion DVD features audio and cinematic examples demos of useful sound editing and sequencing programs and sample business contracts

The Bird Photography Field Guide David Tipling,2011-03-28 A specialist title aimed at bird watchers this handy book contains all the expertise you need to make your bird watching trip into a rewarding photo session there is copious advice on equipment technique and field craft and a wealth of wonderful photos to inspire you Finally a section on the digital darkroom will help you turn your shots into perfect prints      *Choosing and Using Audio and Music Software* Mike Collins,2004-03-08 From the author of the best selling title Pro Tools for Music Production      **Computer** Paul Atkinson,2010-08-15 The pixelated rectangle we spend most of our day staring at in silence is not the television as many long feared but the computer the ubiquitous portal of work and personal lives At this point the computer is almost so common we don t notice it in our view It s difficult to envision that not that long ago it was a gigantic room sized structure only to be accessed by a few inspiring as much awe and respect as fear and mystery Now that the machine has decreased in size and increased in popular use the computer has become a prosaic appliance little more noted than a toaster These dramatic changes from the daunting to the ordinary are captured in Computer by design historian Paul Atkinson Here Atkinson chronicles the changes in physical design of the computer and shows how these changes in design are related to changes in popular attitude Atkinson is fascinated by how the computer has been represented and promoted in advertising For example in contrast to ads from the

1970s and 80s today s PC is very PC genderless and largely status free Computer also considers the role of the computer as a cultural touchstone as evidenced by its regular appearance in popular culture including the iconography of the space age HAL from 2001 A Space Odyssey James Bond s gadgetry and Stars War and Star Trek Computer covers many issues ignored by other histories of computing which have focused on technology and the economics involved in their production but rarely on the role of fashion in the physical design and promotion of computers and their general reception The book will appeal to professionals and students of design and technology as well as those interested in the history of computers and how they have shaped and been shaped by our lives **SUSE Linux 9.3 For Dummies** Naba Barkakati,2005-05-20 Includes DVD with SUSE Linux 9.3 special edition

**project planning research paper 1636 words bartleby** - Aug 03 2022

web open document fredrick l harris professor greg wilson project planning bba 4126 21 may 2009 five stage team development model life cycles introduction the purpose of this paper is to discuss the life cycle of team development how the stages of a project team works towards an end conclusion

*bba 4126 unit ii project topic bba 4126 project planning* - Jan 28 2022

web sep 11 2018 in unit vii you will formulate a powerpoint in which you will present your project plan to your stakeholders based on your work from earlier units for this assignment you will be choosing the project for which you wish to formulate your project plan please click here to complete the template your completed document should be at

[İstanbul planlama ajansı İstanbul büyükşehir belediyesi](#) - Dec 27 2021

web merhaba İpa bülteni ni takip ederek İstanbul hakkındaki araştırmalar etkinlikler ve son çıkan yayınlardan haberdar olun

**bba 4126 project planning week 1 docx course hero** - Jul 14 2023

web view full document bba 4126 project planning unit i case study for this assignment you will be reading the case moss and mcadams accounting firm on pp 94 96 in your textbook once you have finished reading the case

[bba 4126 syllabus course description bba 4126 project planning](#) - May 12 2023

web view notes bba 4126 syllabus from bba 4126 at columbia southern university course description bba 4126 project planning course syllabus provides the tools to understand design and apply

[bba project synopsis and project report studocu](#) - Oct 05 2022

web in the research methodology section of project you need to describe how you will proceed to research the problem stated and achieve the objectives formulated it includes research hypothesis research model research design sampling design and research procedure

*bba 4126 project planning pdf pdf red ortax* - Apr 11 2023



web overview capital investments importance and difficulties project planning project control human aspects of project management network techniques development of

**bba 4126 unit ii project topic bba 4126 project planning** - Jun 01 2022

web aug 31 2022 in order to make this a meaningful course it is important that you select a project that aligns with your current work situation or a potential future work environment of interest to you please use the definition of a project outlined on pp 6 7 of your textbook to help select your project

**bba 4126 syllabus pdf bba 4126 project planning** - Jun 13 2023

web bba 4126 project planning 3 the first project on the table requires you to increase the number of clients in the region by 10 over the next 12 months to do that you will need cindy s help because she heads the sales and marketing team

**bba 4126 unit iv case study bba 4126 project planning** - Jul 02 2022

web instructions read the the now wedding part a and part b case on pages 334 336 of your textbook and imagine that you are in charge of planning bba 4126 unit iv case study bba 4126 project planning columbia southern university orange beach al

**bba 4126 unit viii case study bba 4126 project planning** - Mar 30 2022

web mar 8 2023 bba 4126 unit viii case study bba 4126 project planning columbia southern university instructions read introducing scrum at p2p part a and part b on pages 599 602 of your textbook after reading part a of the case answer the following questions based on the case details

**bba 4126 project planning syllabus pdf course hero** - Aug 15 2023

web bba 4126 project planning syllabus pdf bba 4126 project planning course syllabus course description provides the tools to understand design and course hero columbia university project pl project pl bba4126

**bba 4126 unit iv journal bba 4126 project planning columbia** - Nov 06 2022

web describe some ways that time was wasted during the project that you are thinking of and how the project s schedule was adjusted or could have been adjusted to account for the wasted time your journal entry must be at least 200 words

**bba 4126 unit i case study bba 4126 project planning** - Dec 07 2022

web may 27 2021 for this assignment you will be reading the case moss and mcadams accounting firm on pp 94 96 in your textbook once you have finished reading the case study you will address the prompts below define functional matrix and projectized organizational structures and list the strengths and weaknesses of each

**bba 4126 unit viii case study bba 4126 project planning** - Sep 04 2022

web identify the core agile project management principles p2p used in managing this project how would the project have been handled differently if traditional project management principles had been utilized instead reread pages 17 18 in chapter

1 or your textbook and answer the following questions about this case

**bba 4126 unit i case study bba 4126 the custom writing** - Apr 30 2022

web bba 4126 unit i case study bba 4126 project planning columbia southern university instructions for this assignment you will be reading the case moss and mcadams accounting firm on pp 94 96 in your textbook

**unit i journal bba 4126 docx throughout the duration of** - Mar 10 2023

web view homework help unit i journal bba 4126 docx from bba 4126 at columbia southern university throughout the duration of this course you will be developing a project plan to present to upload to study

[bba 4126 unit ii project topic bba 4126 project planning](#) - Feb 09 2023

web dec 20 2019 throughout the duration of this course you will be developing a project plan to present to your stakeholders in order to make this a meaningful course it is important that you select a project that aligns with your current work situation or a potential future work environment of interest to you

*bba 4126 unit ii project topic bba 4126 project planning* - Feb 26 2022

web sep 11 2018 in unit vii you will formulate a powerpoint in which you will present your project plan to your stakeholders based on your work from earlier units for this assignment you will be choosing the project for which you wish to formulate your project plan please click here to complete the template your completed document should be at

**bba 4126 project management integration scope time and communication** - Jan 08 2023

web access study documents get answers to your study questions and connect with real tutors for bba 4126 project management integration scope time and communication at columbia southern university expert help

[witch please documents et ta c moignages full pdf](#) - Jun 02 2023

web 2 witch please documents et ta c moignages 2022 09 07 20th century based on an investigation he did for a socialist newspaper the book depicts working class poverty

**witch please documents et ta c moignages pdf ann blake tracy** - Aug 24 2022

web jun 19 2023 success adjacent to the message as without difficulty as perspicacity of this witch please documents et ta c moignages pdf can be taken as skillfully as picked

*witch please documents et témoignages by jack parker* - Dec 28 2022

web witch please documents et témoignages by jack parker april 23rd 2020 price 25 cents for sale on the cars and steamboats and at the booksellers hotels depots amp c

[witch please documents et ta c moignages pdf 2023](#) - May 01 2023

web notice as without difficulty as keenness of this witch please documents et ta c moignages pdf can be taken as without difficulty as picked to act chaldean magic

[witch please documents et ta c moignages](#) - Apr 19 2022

web as skillfully as insight of this witch please documents et ta c moignages can be taken as capably as picked to act the education of children michel de montaigne 1891 medum

**downloadable free pdfs witchpleasedocumentsettacmoignages** - Nov 26 2022

web 1 witch please documents et ta c moignages pdf right here we have countless book witch please documents et ta c moignages pdf and collections to check out witch please

*ebook l au dela en question documents et ta c moignages* - Jul 23 2022

web l au dela en question documents et ta c moignages the unwanted aug 28 2020 published in association with the united states holocaust memorial museum a riveting story of jewish families seeking to escape nazi germany in 1938 on the eve of world war ii the american journalist dorothy thompson

**witchpleasedocumentsettacmoignages** - Oct 26 2022

web vy687ibook weell esy es 7a7e0 pocket mechanic for mercedes witch please documents et ta c moignages apr 21 2022 witch please documents et ta c moignages 1 witch

**witch please documents et témoignages by jack parker** - Nov 14 2021

web april 23rd 2020 price 25 cents for sale on the cars and steamboats and at the booksellers hotels depots amp c 917 1428 112 b br langford s guide to the city of montreal being a

[witch please documents et ta c moignages pdf 2023](#) - Sep 24 2022

web within the pages of witch please documents et ta c moignages pdf an enthralling opus penned by a very acclaimed wordsmith readers set about an immersive expedition to unravel the intricate significance of language and its indelible imprint on our lives

*witch please documents et ta c moignages pdf 2023* - Mar 31 2023

web apr 29 2023 merely said the witch please documents et ta c moignages pdf is universally compatible once any devices to read witch please documents et ta c

**required documents for work permit applications in turkey** - Jan 17 2022

web may 18 2021 1 required documents for work permit for the domestic application documents required for foreign employee employment contract

[please which documents you need](#) ██████████ ██████████ - Mar 19 2022

web please note that the educational documents need to be attested by the education ministry of the concerned state before the external affairs attestation ██████████ ██████████ ██████████ ██████████ ██████████ ██████████

**witch please uments et ta c moignages copy yvc moeys gov** - Jun 21 2022

web witch please uments et ta c moignages this is likewise one of the factors by obtaining the soft documents of this witch  
please uments et ta c moignages by online you

*witch please documents et ta c moignages 2022 logb fonedog* - Sep 05 2023

web we pay for witch please documents et ta c moignages and numerous ebook collections from fictions to scientific research  
in any way among them is this witch please

*i will send you the documents traduction française linguee* - Dec 16 2021

web w e will send you today the requ e sted documents eng fi aerzen com eng fi aerzen com n ous vous enverrons aujourd hui  
les documentations demandées fre be aerzen com

*les paysans ra c cits ta c moignages et archives pdf* - Jan 29 2023

web please documents et ta c moignages ann blake tracy mar 30 2022 web please documents et ta c moignages can be taken  
as without difficulty as picked to act the

**witch please documents et ta c moignages copy** - Feb 27 2023

web 4 witch please documents et ta c moignages 2022 04 27 through her heart jane jacobs a bostonian so often accused of  
witchcraft that she took her tormentors to court

**witch please documents et ta c moignages pdf pdf** - Aug 04 2023

web apr 8 2023 2 web witch please documents et témoignages by jack parker witch please documents et témoignages by  
jack parker bfmtv loansnerc full text of the plete works of

*witch please documents et ta c moignages 2023* - Jul 03 2023

web this book provides a selection of studies on witchcraft and demonology by those involved in an interdisciplinary research  
group begun in hungary thirty years ago they examine

**witch please documents et ta c moignages pdf** - May 21 2022

web witch please documents et ta c moignages downloaded from admision cbp edu pe by guest erin dorsey earthwalk peter  
lang identifies famous witches explains terms

*witch please uments et ta c moignages markku hokkanen* - Oct 06 2023

web off to acquire those all we have the funds for witch please uments et ta c moignages and numerous book collections from  
fictions to scientific research in any way among

*witch please documents et ta c moignages copy* - Feb 15 2022

web this witch please documents et ta c moignages as one of the most practicing sellers here will certainly be along with the  
best options to review witch please documents et ta c moignages downloaded from biblioteca undar edu pe by guest erick  
marsh the century dictionary and cyclopedia dictionary penguin

**Omasteer fluke** - May 16 2022

web about this manual this manual supplement is an addition to the users manual that is included with the scopemeter 192 196 199 test tool kit it provides user information about the extended test tool functionality that becomes available after installation of the ms 190 software safety information

**fluke scopemeter 192 user s manual supplement** - Feb 10 2022

web view and download fluke scopemeter 192 user s manual supplement online scopemeter 192 measuring instruments pdf manual download also for scopemeter 196 scopemeter 199

**fluke 190 series iii scopemeter portable oscilloscope fluke** - Jul 18 2022

web fluke 190 series iii scopemeter test tools model scopemeter 190 062 iii test tool part 5282331 upc 1 95112 02177 4 key features rated for industrial environments cat iii 1000 v cat iv 600 v automatically capture view and analyze complex waveforms large bright color display for easy in the field viewing

**fluke 199c operation pdf download manualslib** - Jan 24 2023

web view and download fluke 199c operation online 199c test equipment pdf manual download

**fluke scopemeter 199c manuals manualslib** - May 28 2023

web fluke scopemeter 199c manuals manuals and user guides for fluke scopemeter 199c we have 8 fluke scopemeter 199c manuals available for free pdf download user manual service manual getting started manual datasheet technical data manual operation security procedures

[fluke manuals discontinued legacy and current product manuals](#) - Jun 28 2023

web find user instruction manuals reference guides service manuals safety sheets manual supplements as well as additional documentation for current and legacy discontinued fluke products enter a product name or number to find your manual

**199 x ray medical scopemeter portable handheld oscilloscope** - Apr 14 2022

web 199 x ray medical scopemeter with kvp capabilities the 199x ray medical scopemeter has all of the normal oscilloscope functions as well as the speed performance and analysis power for the more demanding applications this high performance oscilloscope offers specifications found on top end bench instruments

**fluke 199c service manual oscilloscope all about circuits** - Aug 19 2022

web the 199c from fluke part of the 190 series is a handheld oscilloscope with a maximum bandwidth of 200 mhz the oscilloscope features 2 analog channels 0 digital channels and runs on a embedded operating system buy now back to

*fluke199xray assets fluke com* - Dec 23 2022

web measurement function of the fluke 199xray medical scopemeter it also describes user interface differences between the fluke 190b c and the fluke 199xray for other information on the fluke 199xray please consult the fluke 190b c series getting

started manual the fluke 190b c series users manual on cd rom

*fluke 192b 196b c 199b c maxim instruments* - Sep 19 2022

web look at the top of the test tool the test tool has four signal inputs two safety bnc jack inputs red input a and gray input b and two safety 4 mm banana jack inputs red and black use the two bnc jack inputs for scope measurements and the two banana jack inputs for meter measurements

**fluke 199b service manual pdf download manualslib** - Oct 01 2023

web view and download fluke 199b service manual online scopemeter 199b measuring instruments pdf manual download also for 192c 196c 199c 215c 196b 225c 192b scopemeter 19 b series scopemeter 19 c series scopemeter 2 5c series scopemeter 192b scopemeter 196b scopemeter 199b

fluke 19xb 19xc 2x5c fluke corporation - Aug 31 2023

web fluke 19xb 19xc 2x5c scopemeter models 192b 196b 199b 192c 196c 199c 215c 225c service manual september 2002 rev 3 5 17 fluke 19xb 19xc 2x5c service manual 1 4 1 5 impaired safety whenever it is likely that safety has been impaired the test tool must be turned off and

fluke 192b 196b c 199b c scopemeter service manual - Oct 21 2022

web fluke 192b 196b c 199b c scopemeter service manual download schematics eeprom repair info for electronics experts

*fluke scopemeter 199 manuals manualslib* - Mar 26 2023

web fluke scopemeter 199 manuals manuals and user guides for fluke scopemeter 199 we have 1 fluke scopemeter 199 manual available for free pdf download user s manual supplement fluke scopemeter 199 user s manual supplement 17 pages brand fluke

*user manual fluke 199 scopemeter dsm title* - Mar 14 2022

web information the fluke 192 196 199 scopemeter test tools have three input channels that are electrically floating with respect to each other and with respect to the power adapter input channel a and channel b are oscilloscope

**service manual fluke 199b scopemeter opweb de** - Feb 22 2023

web the fluke i92b 196b c7199b c scopemeter test tools have three input channels that are electrically floating with respect to each other and with respect to the power adapter input channel a and channel b are oscilloscope channels with a 60 100 200 mhz bandwidth the meter external trigger channel is a combined dmm and external trigger channel

*fluke91 92 96 105 fluke corporation* - Nov 21 2022

web viii 91 92 96 99 105 users manual warning read safety carefully before using your scopemeter test tool safety the instrument described in this manual is designed to be used only by qualified personnel safety precautions to use this instrument safely it is essential that operating and servicing personnel follow both

**fluke 199c 199b 196c 196b 192b service manual** - Jul 30 2023

web view and download fluke 199c instruction manual online

**service manual fluke 199c scopemeter opweb de** - Apr 26 2023

web dec 8 2021 description information the fluke i92b 196b c7199b c scopemeter test tools have three input channels that are electrically floating with respect to each other and with respect to the power adapter input channel a and channel b are oscilloscope channels with a 60 100 200 mhz bandwidth

**scopemeter 190 series ii fluke corporation** - Jun 16 2022

web fluke s warranty obligation is limited at fluke s option to refund of the purchase price free of charge repair or replacement of a defective product which is returned to a fluke authorized service center within the warranty period to obtain warranty service contact your nearest fluke authorized service center to obtain return

## Decoding **Sony Vaio Laptop User Manual**: Revealing the Captivating Potential of Verbal Expression

In a time characterized by interconnectedness and an insatiable thirst for knowledge, the captivating potential of verbal expression has emerged as a formidable force. Its capability to evoke sentiments, stimulate introspection, and incite profound transformations is genuinely awe-inspiring. Within the pages of "**Sony Vaio Laptop User Manual**," a mesmerizing literary creation penned by way of a celebrated wordsmith, readers attempt an enlightening odyssey, unraveling the intricate significance of language and its enduring impact on our lives. In this appraisal, we shall explore the book's central themes, evaluate its distinctive writing style, and gauge its pervasive influence on the hearts and minds of its readership.

[https://offsite.creighton.edu/files/virtual-library/Documents/health\\_information\\_management\\_textbook.pdf](https://offsite.creighton.edu/files/virtual-library/Documents/health_information_management_textbook.pdf)

[https://offsite.creighton.edu/files/virtual-library/Documents/highlights\\_preschool\\_box.pdf](https://offsite.creighton.edu/files/virtual-library/Documents/highlights_preschool_box.pdf)

[https://offsite.creighton.edu/files/virtual-library/Documents/histrionic\\_personality\\_disorder\\_books.pdf](https://offsite.creighton.edu/files/virtual-library/Documents/histrionic_personality_disorder_books.pdf)

### **Table of Contents Sony Vaio Laptop User Manual**

1. Understanding the eBook Sony Vaio Laptop User Manual
  - The Rise of Digital Reading Sony Vaio Laptop User Manual
  - Advantages of eBooks Over Traditional Books
2. Identifying Sony Vaio Laptop User Manual
  - Exploring Different Genres
  - Considering Fiction vs. Non-Fiction
  - Determining Your Reading Goals
3. Choosing the Right eBook Platform
  - Popular eBook Platforms



- Features to Look for in an Sony Vaio Laptop User Manual
- User-Friendly Interface
- 4. Exploring eBook Recommendations from Sony Vaio Laptop User Manual
  - Personalized Recommendations
  - Sony Vaio Laptop User Manual User Reviews and Ratings
  - Sony Vaio Laptop User Manual and Bestseller Lists
- 5. Accessing Sony Vaio Laptop User Manual Free and Paid eBooks
  - Sony Vaio Laptop User Manual Public Domain eBooks
  - Sony Vaio Laptop User Manual eBook Subscription Services
  - Sony Vaio Laptop User Manual Budget-Friendly Options
- 6. Navigating Sony Vaio Laptop User Manual eBook Formats
  - ePub, PDF, MOBI, and More
  - Sony Vaio Laptop User Manual Compatibility with Devices
  - Sony Vaio Laptop User Manual Enhanced eBook Features
- 7. Enhancing Your Reading Experience
  - Adjustable Fonts and Text Sizes of Sony Vaio Laptop User Manual
  - Highlighting and Note-Taking Sony Vaio Laptop User Manual
  - Interactive Elements Sony Vaio Laptop User Manual
- 8. Staying Engaged with Sony Vaio Laptop User Manual
  - Joining Online Reading Communities
  - Participating in Virtual Book Clubs
  - Following Authors and Publishers Sony Vaio Laptop User Manual
- 9. Balancing eBooks and Physical Books Sony Vaio Laptop User Manual
  - Benefits of a Digital Library
  - Creating a Diverse Reading Collection Sony Vaio Laptop User Manual
- 10. Overcoming Reading Challenges
  - Dealing with Digital Eye Strain
  - Minimizing Distractions
  - Managing Screen Time
- 11. Cultivating a Reading Routine Sony Vaio Laptop User Manual

- Setting Reading Goals Sony Vaio Laptop User Manual
- Carving Out Dedicated Reading Time
- 12. Sourcing Reliable Information of Sony Vaio Laptop User Manual
  - Fact-Checking eBook Content of Sony Vaio Laptop User Manual
  - Distinguishing Credible Sources
- 13. Promoting Lifelong Learning
  - Utilizing eBooks for Skill Development
  - Exploring Educational eBooks
- 14. Embracing eBook Trends
  - Integration of Multimedia Elements
  - Interactive and Gamified eBooks

### **Sony Vaio Laptop User Manual Introduction**

Sony Vaio Laptop User Manual Offers over 60,000 free eBooks, including many classics that are in the public domain. Open Library: Provides access to over 1 million free eBooks, including classic literature and contemporary works. Sony Vaio Laptop User Manual Offers a vast collection of books, some of which are available for free as PDF downloads, particularly older books in the public domain. Sony Vaio Laptop User Manual : This website hosts a vast collection of scientific articles, books, and textbooks. While it operates in a legal gray area due to copyright issues, its a popular resource for finding various publications. Internet Archive for Sony Vaio Laptop User Manual : Has an extensive collection of digital content, including books, articles, videos, and more. It has a massive library of free downloadable books. Free-eBooks Sony Vaio Laptop User Manual Offers a diverse range of free eBooks across various genres. Sony Vaio Laptop User Manual Focuses mainly on educational books, textbooks, and business books. It offers free PDF downloads for educational purposes. Sony Vaio Laptop User Manual Provides a large selection of free eBooks in different genres, which are available for download in various formats, including PDF. Finding specific Sony Vaio Laptop User Manual, especially related to Sony Vaio Laptop User Manual, might be challenging as theyre often artistic creations rather than practical blueprints. However, you can explore the following steps to search for or create your own Online Searches: Look for websites, forums, or blogs dedicated to Sony Vaio Laptop User Manual, Sometimes enthusiasts share their designs or concepts in PDF format. Books and Magazines Some Sony Vaio Laptop User Manual books or magazines might include. Look for these in online stores or libraries. Remember that while Sony Vaio Laptop User Manual, sharing copyrighted material without permission is not legal. Always ensure youre either creating your own or obtaining them from legitimate sources that allow sharing and downloading. Library Check if

your local library offers eBook lending services. Many libraries have digital catalogs where you can borrow Sony Vaio Laptop User Manual eBooks for free, including popular titles. Online Retailers: Websites like Amazon, Google Books, or Apple Books often sell eBooks. Sometimes, authors or publishers offer promotions or free periods for certain books. Authors Website Occasionally, authors provide excerpts or short stories for free on their websites. While this might not be the Sony Vaio Laptop User Manual full book, it can give you a taste of the authors writing style. Subscription Services Platforms like Kindle Unlimited or Scribd offer subscription-based access to a wide range of Sony Vaio Laptop User Manual eBooks, including some popular titles.

### **FAQs About Sony Vaio Laptop User Manual Books**

How do I know which eBook platform is the best for me? Finding the best eBook platform depends on your reading preferences and device compatibility. Research different platforms, read user reviews, and explore their features before making a choice. Are free eBooks of good quality? Yes, many reputable platforms offer high-quality free eBooks, including classics and public domain works. However, make sure to verify the source to ensure the eBook credibility. Can I read eBooks without an eReader? Absolutely! Most eBook platforms offer webbased readers or mobile apps that allow you to read eBooks on your computer, tablet, or smartphone. How do I avoid digital eye strain while reading eBooks? To prevent digital eye strain, take regular breaks, adjust the font size and background color, and ensure proper lighting while reading eBooks. What the advantage of interactive eBooks? Interactive eBooks incorporate multimedia elements, quizzes, and activities, enhancing the reader engagement and providing a more immersive learning experience. Sony Vaio Laptop User Manual is one of the best book in our library for free trial. We provide copy of Sony Vaio Laptop User Manual in digital format, so the resources that you find are reliable. There are also many Ebooks of related with Sony Vaio Laptop User Manual. Where to download Sony Vaio Laptop User Manual online for free? Are you looking for Sony Vaio Laptop User Manual PDF? This is definitely going to save you time and cash in something you should think about. If you trying to find then search around for online. Without a doubt there are numerous these available and many of them have the freedom. However without doubt you receive whatever you purchase. An alternate way to get ideas is always to check another Sony Vaio Laptop User Manual. This method for see exactly what may be included and adopt these ideas to your book. This site will almost certainly help you save time and effort, money and stress. If you are looking for free books then you really should consider finding to assist you try this. Several of Sony Vaio Laptop User Manual are for sale to free while some are payable. If you arent sure if the books you would like to download works with for usage along with your computer, it is possible to download free trials. The free guides make it easy for someone to free access online library for download books to your device. You can get free download on free

trial for lots of books categories. Our library is the biggest of these that have literally hundreds of thousands of different products categories represented. You will also see that there are specific sites catered to different product types or categories, brands or niches related with Sony Vaio Laptop User Manual. So depending on what exactly you are searching, you will be able to choose e books to suit your own need. Need to access completely for Campbell Biology Seventh Edition book? Access Ebook without any digging. And by having access to our ebook online or by storing it on your computer, you have convenient answers with Sony Vaio Laptop User Manual To get started finding Sony Vaio Laptop User Manual, you are right to find our website which has a comprehensive collection of books online. Our library is the biggest of these that have literally hundreds of thousands of different products represented. You will also see that there are specific sites catered to different categories or niches related with Sony Vaio Laptop User Manual So depending on what exactly you are searching, you will be able to choose ebook to suit your own need. Thank you for reading Sony Vaio Laptop User Manual. Maybe you have knowledge that, people have search numerous times for their favorite readings like this Sony Vaio Laptop User Manual, but end up in harmful downloads. Rather than reading a good book with a cup of coffee in the afternoon, instead they juggled with some harmful bugs inside their laptop. Sony Vaio Laptop User Manual is available in our book collection an online access to it is set as public so you can download it instantly. Our digital library spans in multiple locations, allowing you to get the most less latency time to download any of our books like this one. Merely said, Sony Vaio Laptop User Manual is universally compatible with any devices to read.

### **Find Sony Vaio Laptop User Manual :**

[health information management textbook](#)

**highlights preschool box**

**histrionic personality disorder books**

[heart dissection kit](#)

**hebrew bible with english translation**

**history of guitar pedals**

*hatchet activities pdf*

*harry potter glossary*

[hartford street zen center](#)

**his needs her needs**

*hayward pool pump hook up diagram*

**hitting drills for youth baseball**

~~holmboe nature preserve~~

~~hijama points for asthma~~

*~~harvard managing yourself and leading others~~*

**Sony Vaio Laptop User Manual :**