

NAME PLATE LOCATIONS

For Ford Type Automatic Transmissions

It is necessary to have the correct transmission code in order to be sure of the correct part. This is because of the number of engine transmission combinations offered by Ford. The locations of the codes and name plates are shown below.

FORDOMATIC 2/SPEED TRANSMISSION; C/4 & C/6 3/SPEED DUAL RANGE TRANSMISSION

1959-64
TWO-SPEED



PBS-C
352
Stamped into right side
of transmission case

1961-78 TWO-SPEED AND
C/4 & C/6 3/SPEED DUAL
RANGE TRANSMISSION

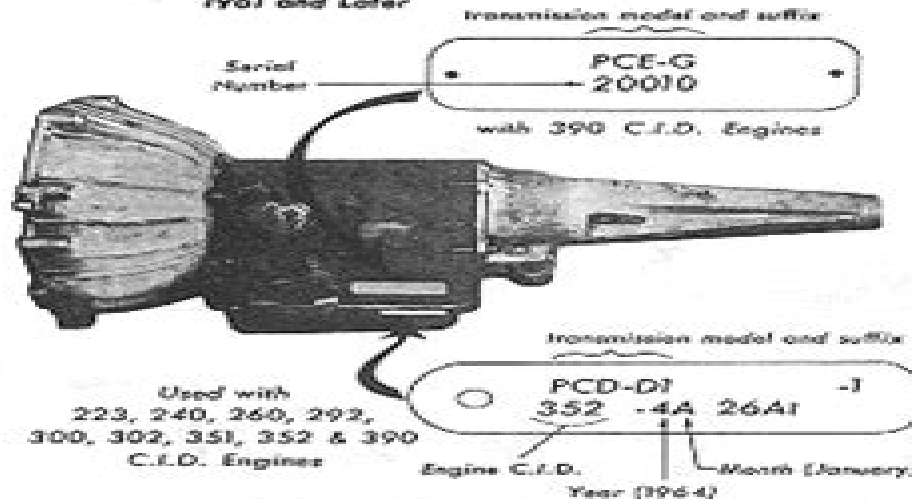


transmission model and suffix
PCV -D -J
223 -48 20 A2
Engine C.I.D. Year (1964) Month (February)

Used with 122, 144, 159, 170, 200, 223, 240, 250, 260, 289, 302, 351, 390, 400, 410, 427, 428, 429, 460 & 462 C.I.D. Engs.

CRUISE-O-MATIC TRANSMISSIONS

1963 and Later



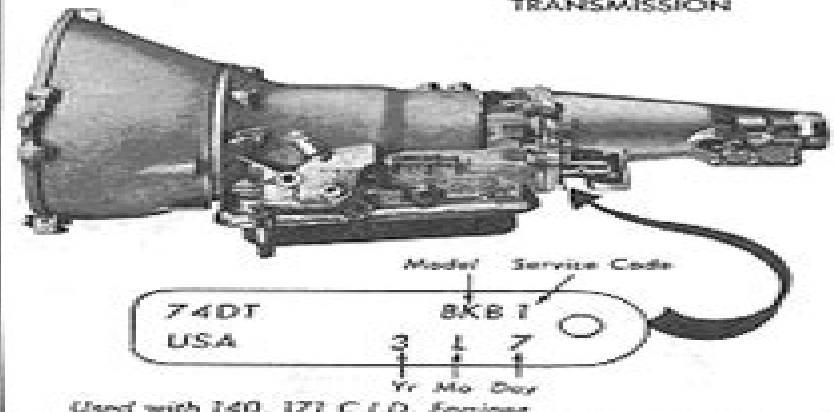
transmission model and suffix
PCE-G
20010
with 390 C.I.D. Engines

transmission model and suffix
PCD-D1 -J
352 -4A 26A1
Engine C.I.D. Year (1964) Month (January)

Used with 223, 240, 260, 292, 300, 302, 351, 352 & 390 C.I.D. Engines

C/3 TRANSMISSION

1974-78
3/SPEED
TRANSMISSION



Model Service Code
74DT 8KB 1
USA
Yr Mo Day
3 1 7

Used with 140, 171 C.I.D. Engines

Ford Manual Transmissions Identification

John Gunnell



Ford Manual Transmissions Identification

Ford Parts Interchange Manual, 1959-1970 Paul A. Herd, 1995 Muncie 4-Speed Transmissions Paul Cangialosi, 2014-10-15 The Muncie 4 speeds M20 M21 and M22 are some of the most popular manual transmissions ever made and continue to be incredibly popular The Muncie was the top high performance manual transmission GM offered in its muscle cars of the 60s and early 70s It was installed in the Camaro Chevelle Buick GS Pontiac GTO Olds Cutlass and many other classic cars Many owners want to retain the original transmission in their classic cars to maintain its value Transmission expert and veteran author Paul Cangialosi has created an indispensable reference to Muncie 4 speeds that guides you through each crucial stage of the rebuild process Comprehensive ID information is provided so you can positively identify the cases shafts and related parts It discusses available models parts options and gearbox cases Most important it shows how to completely disassemble the gearbox identify wear and damage select the best parts and complete the rebuild It also explains how to choose the ideal gear ratio for a particular application Various high performance and racing setups are also shown including essential modifications gun drilling the shafts cutting down the gears to remove weight and achieving race specific clearances Muncie 4 speeds need rebuilding after many miles of service and extreme use In addition when a muscle car owner builds a high performance engine that far exceeds stock horsepower a stronger high performance transmission must be built to accommodate this torque and horsepower increase No other book goes into this much detail on the identification of the Muncie 4 speed available parts selection of gear ratios and the rebuild process *How To Rebuild and Modify Your Manual Transmission* Robert Bowen, This resource explains how to rebuild and modify transmissions from both rear and front wheel drive cars It explains the principles behind the workings of all manual transmissions and helps readers understand what they need to do and know to rebuild their own transmissions Includes how to determine what parts to replace how and why to replace certain seals spacers springs forks and other parts and where to find and how to measure the specifications for each particular transmission Ford AOD Transmissions George Reid, 2014-06-16 While millions of Ford rear wheel drive cars are equipped with the durable and simple C4 and C6 transmissions of the 1960s early in the 1980s Ford replaced those old designs with the AOD transmission for a new generation of cars Overdrive gears once popular before WWII were now becoming popular again as manufacturers were under increasing pressure to raise fuel economy to meet ever more demanding EPA standards A nice byproduct of that was more comfortable cruising speeds where your engine didn't have to work so hard in addition to getting better fuel economy In *Ford AOD Transmissions Rebuilding and Modifying the AOD AODE and 4R70W* author George Reid walks you through the process step by step from removing the transmission from the vehicle to complete disassembly and cleaning to careful reassembly to proper re installation and road testing Performance modifications are also covered as well as an ID guide for various model numbers evolutionary design changes

shift kit installation and torque converter selection This book is ideal for people who already have one of these transmissions in their car as well as enthusiasts who would like to swap one of these more modern units into an older chassis to get all the benefits of overdrive If you plan on researching or working on any one of these overdrive models this book is a vital addition to your workbench or library [Ford Automatic Transmission Overhaul](#) John Haynes,2001-10-13 Covers rear wheel drive models C3 C4 C5 C6 and AOD and front wheel drive models ATX FLC and AXOD Included are the fundamentals diagnosis techniques and modifications

How to Rebuild and Modify High-Performance Manual Transmissions Paul Cangialosi,2010 How to Rebuild and Modify High Performance Manual Transmissions breaks down the disassembly inspection modification upgrade and rebuilding process into detailed yet easy to follow steps consistent with our other Workbench series books The latest techniques and insider tips are revealed so an enthusiast can quickly perform a tear down identify worn parts select the best components and successfully assemble a high performance transmission Transmission expert and designer Paul Cangialosi shares his proven rebuilding methods insight and 27 years of knowledge in the transmission industry He guides you through the rebuilding process for most major high performance transmissions including BorgWarner T10 and super T10 GM Muncie Ford Toploader and Tremec T5 This new edition also contains a complete step by step rebuild of the Chrysler A833 transmission

Transmission Repair Book Ford 1960 to 2007 Max Ellery,2003-05-01 Automatic AOD BW 35 40 LE85 91 93 95 97 C4 C5 C6 C9 C10 FMX and M51 Manual 3 speed 4 speed and 5 speed single rail Top Loader T5 and M57 Step by step instructions for a pull down and rebuild Includes specifications torque settings problem diagnosis shift speeds plus more information This book is from an Australian publisher and covers both American and Australian applications

How to Rebuild and Modify Ford C4 and C6 Automatic Transmissions George Reid,2012 In How to Rebuild and Modify Ford C4 and C6 Automatic Transmissions author George Reid walks readers through the process step by step from removing the transmission to complete overhaul to proper re installation and road testing

[Mustang 1964 1/2-1973 Restoration Guide](#) ,1998 **How to Rebuild the Small-Block Ford** George Reid,2008 This revised and updated color edition of How to Rebuild the Small Block Ford walks you step by step through a rebuild including planning your rebuild disassembly and inspection choosing the right parts machine work assembling your engine and first firing and break in

Ford 351 Cleveland Engines George Reid,2013 Ford s 351 Cleveland was designed to be a mid sized V 8 engine and was developed for higher performance use upon its launch in late 1969 for the 1970 models The Cleveland engine addressed the major shortcoming of the Windsor engines that preceded it namely cylinder head air flow The Windsor engines just couldn t be built at the time to compete effectively with the strongest GM and Mopar small block offerings and the Cleveland engine was the answer to that problem Unfortunately the Cleveland engine was introduced at the end of Detroit s muscle car era and the engine in pure Cleveland form was very short lived It did continue on as a low compression passenger car and truck engine in the form of the 351M and 400M which in their day offered little in the way of

excitement Renewed enthusiasm in this engine has spawned an influx of top quality new components that make building or modifying these engines affordable This new book reviews the history and variations of the 351 Cleveland and Ford s related engines the 351M and 400M Basic dimensions and specifications of each engine along with tips for identifying both design differences and casting numbers are covered In addition each engine s strong points and areas of concern are described in detail Written with high performance in mind both traditional power tricks and methods to increase efficiency of these specific engines are shared Also example builds of 400 500 and even 600 hp engines are highlighted so you can model your build after any of these powerhouses depending on your intended use With the influx of aftermarket parts especially excellent cylinder heads the 351 Cleveland as well as the 351M and 400m cousins are now seen as great engines to build This book will tell you everything you need to know to build a great street or competition engine based in the 351 Cleveland platform

How to Swap Ford Modular Engines into Mustangs, Torinos and More Dave Stribling,2017-03-15 The Ford modular engine is a popular swap for 1964 1 2 1973 Mustangs Fox Body Mustangs trucks hot rods and other muscle cars because these high tech engines provide exceptional performance and improved economy compared to their dated counterparts Found in Mustangs and other Fords since the 1990s installing a modular motor in a classic Ford infuses new technology and all the benefits that come with it into a classic car Modular engines feature an overhead cam design that has massive horsepower potential and are offered in 4 6 5 0 5 2 5 4 and 5 8 liter iterations These high tech 2 3 and 4 valve engines are readily available as a crate engine from salvage yards and in running cars This engine design has a large physical footprint and swapping the engine requires a thorough plan using the proper tools and facilities Author Dave Stribling specializes in modular engine swaps and expertly guides you through each crucial step of the engine transplant process Because of the large physical size many components such as brake boosters steering rods and boxes and other underhood components may need repositioning or modification to co exist in the engine bay Stribling covers motor mount selection and fabrication suspension and chassis modifications aftermarket suspension options firewall and transmission tunnel modifications engine management and wiring procedures fuel systems exhaust systems electrical mods and upgrades and much more Many older Ford muscle and performance cars are prime candidates for a modular swap however shock towers protrude into the engine bay of these cars so modifications are necessary to fit the engine into the car which is also covered here Swapping the engine and transmission into a muscle car or truck requires specialized processes and this insightful explanatory and detailed instruction is found only in this book If you are considering swapping one of these high tech engines into a non original chassis this book is a vital component to the process

How to Rebuild Ford Power Stroke Diesel Engines 1994-2007 Bob McDonald,2012 This book covers the vast majority of Powerstroke Diesel engines on the road and gives you the full story on their design Each part of the engine is described and discussed in detail with full color photos of every critical component A full and complete step by

step engine rebuild is also included [How to Rebuild the 1939 FORD Stick Transmission](#) Max Navarro,2009-11-05 [How to Hop Up Ford and Mercury V8 Engines](#) Roger Huntington,2004-03-05 Speed tuning theory and practice costs horsepower and torque for all 1932 and later Ford Mercury Flathead V8s The performance fundamentals power cam carburetion compression exhaust and ignition are all covered in this 1951 classic handbook Details planning the modifications fitting the block boring an stroking flathead and over head valve cylinder head scams pistons rings intake manifolds exhaust headers and special ignitions A special chapter discusses superchargers

Model T Ford Service Ford Motor Company,2013-08 Henry Ford s Model T forever changed the world The car made for the great multitude as Ford put it first debuted in 1908 and proved so affordable and so popular that fifteen million were sold through 1927 The Tin Lizzie was the first automobile to be mass produced on moving assembly lines and built using interchangeable parts It proved tough and reliable in everyday use and cheap enough to spawn the automobile revolution the car cost 850 in 1909 but amazingly by the 1920s the price had dropped to a mere 260 due to the perfection of production techniques and economy of scale Designed by a team that included Childe Harold Willis Joseph Galamb and Eugene Farkas the Model T had a front mounted four cylinder engine that produced 20 hp and had a top speed of 45 mph It was a rear wheel drive vehicle with wooden wheels and featured a two speed transmission plus a reverse gear Although models varied and many revisions took place over two decades of production the original version weighed about 1200 pounds Created in the 1920s and featuring information about the original Model T and the New Model T of 1925 this maintenance manual is an invaluable resource It was originally intended to educate the men tasked with assembling repairing and maintaining the Model T and offers a plethora of information about the car its design and operation The text includes chapters on how to take apart and put together the car how to overhaul the engine and transmission valve grinding and carbon removal rod bearings fitting pistons and rings correcting noisy timing gears installation of camshaft bearings cleaning oil lines oil leaks transmission band installation axle overhauls refurbishing and replacing springs radiator repair starting motor overhaul and more It also includes troubleshooting and general servicing information A must have for any Model T owner this book is also a terrific reference for the docent historian or anyone who ever wondered how did that work

Automotive Automatic Transmission and Transaxles Keith Santini,Kirk Vangelder,2017-05-18 Automotive Automatic Transmission and Transaxles published as part of the CDX Master Automotive Technician Series provides students with an in depth introduction to diagnosing repairing and rebuilding transmissions of all types Utilizing a strategy based diagnostics approach this book helps students master technical trouble shooting in order to address the problem correctly on the first attempt Outcome focused with clear objectives assessments and seamless coordination with task sheets Introduces transmission design and operation electronic controls torque converters gears and shafts reaction and friction units and manufacturer types Equips students with tried and true techniques for use with complex shop problems Combines the latest technology for computer controlled transmissions with

traditional skills for hydraulic transmissions Filled with pictures and illustrations that aid comprehension as well as real world examples that put theory into practice Offers instructors an intuitive methodical course structure and helpful support tools With complete coverage of this specialized topic this book prepares students for MAST certification and the full range of transmission problems they will encounter afterward as a technician About CDX Master Automotive Technician Series Organized around the principles of outcome based education CDX offers a uniquely flexible and in depth program which aligns learning and assessments into one cohesive and adaptable learning system Used in conjunction with CDX MAST Online CDX prepares students for professional success with media rich integrated solutions The CDX Automotive MAST Series will cover all eight areas of ASE certification

GTO Data & ID Guide: 1964-1974 Peter C Sessler,2018-02-15 When the Pontiac GTO debuted in the fall of 1963 few people could have predicted that the landscape of the performance car would be changed forever With the new GTO a genre of automobiles was born that combined image character and muscle 515 797 GTOs rolled off assembly lines from 1963 through 1974 it s undeniable just how influential these cars were What Pontiac couldn t have predicted was just how collectible the GTOs would be decades later Author Peter Sessler dissects the GTO and presents critical data including engine and transmission codes rear axle identification exterior and interior colors options production numbers and VIN decoding If you re at a car show and someone asks you what the distributor number is on your GTO open this book and find the answer Correctly restoring a GTO is no easy matter With this book you take a giant step toward understanding just what components are needed to bring your old Goat back to life Possessing this much data is a surefire way to become a GTO expert It even fits in your back pocket

93 - 97 Ford Ranger Repair Manual , This is the PDF service repair manual for the Ford Ranger 1993 1997 The same manual autoshops and dealers reference to This isnt your everyday off the shelf autostore manual This manual is guranteed to be better than any autostore manual Detailed drawings Detail diagrams Detail step by step instructions Covers more than standard manuals Available as PDF no more damage manuals Chapters include Body Frame and Mounting Engine Suspension Driveline Brakes Transmission Clutch Exhaust system Fuel system Steering Climate Control system Instrumentation and Warning systems Battery and charging system Audio system Lighting Electrical Power supply

Standard Catalog of Ford, 1903-2002 John Gunnell,2011-09-27 The Standard Catalog of Ford delivers all the details you need to enjoy your hobby and love your Ford Inside you ll find information about all of the legendary Fords built from 1903 2002 Mustangs Thunderbirds the Model T and A Falcons Fairlanes Skyliners and more This fact filled book provides collector market values for Fords made during 1903 2002 It also gives Ford collectors the data they need to identify buy restore and invest in collectable Fords including a current market price guide showing values in Old Cars Report Price Guide s comprehensive 1 to 6 grading scale complete year by year model listings with history and technical details thousands of photos for easy model identification and option lists engine information original pricing and production information

kindergarten merit award comments - Mar 29 2022

web merit jelentései az angol magyar topszótárban merit magyarul képpel ismerd meg a merit magyar jelentéseit merit fordítása

december merit award kindness caring tdsb school - Feb 25 2022

web certificate comments merit award comment little aussie award monster of the moment certificates my reward merit chart stem iu yr 3 certificate of merit i am a rockstar

63 positive comments for students to encourage and motivate - Jul 01 2022

web giving your children awards and certificates can be very beneficial for them any recent study done they were able to conclude that when a child receives appreciation by

congratulations to the following children who received merit awards at - Aug 14 2023

web merit award comments sort relevance foundation year 90 preschool kindergarten 37 year 1 93 year 2 94 year 3 89 year 4 84 year 5 75 year 6 69 year 7 38 teaching

merit award comments teach starter - Jul 13 2023

web 21 award ideas for kindergarten students mom advice line kindergarten students are learning and growing every day you can help them celebrate their success with rewards

award and certificate templates for kids primary - Feb 08 2023

web explore more than 32 merit award comments resources for teachers parents and pupils as well as related resources on comment bank for merit awards

award and certificate templates for kids primary resources - Nov 24 2021

28 top merit certificate comments teaching resources - Dec 26 2021

14 top comment bank for merit awards teaching resources - Apr 10 2023

web our award certificate template collection is perfect to use to reward and motivate your students featuring award trophies bookmarks and much more to celebrate children s

report card comments phrases for kindergarten teachervision - Jan 07 2023

web congratulations to the following children who received merit awards at the year 2 assembly a great effort kh pepper larkin her wonderful start to kinder pepper loves

results for merit award comments tpt - May 31 2022

web kindergarten merit award comments getting the books kindergarten merit award comments now is not type of

challenging means you could not unaccompanied going

merit awards laura the explaura - Oct 04 2022

web may 18 2022 our team of teaching experts recently put together the top 32 kindergarten report card comments you may also like our end of year report card comments for

36 top merit award comments teaching resources curated for - May 11 2023

web certificate of merit for parental support during lockdown 5 0 1 review report writing bank of statements eal 4 8 20 reviews explore more than 14 comment bank for

merit jelentése magyarul topszótár - Jan 27 2022

web our award certificate template collection for kids is perfect to use to reward and motivate your students featuring award trophies bookmarks and much more

32 top merit award comments teaching resources curated for - Dec 06 2022

web mar 3 2022 teaching laura woodbury march 3 2022 merit awards award reasons award ideas positive reinforcement comment

report card comments phrases personality attitude - Aug 02 2022

web discuss spelling and math mental test results and yearly progress improvement of home reading levels exam results project marks naplan results etc comment on specific

certificates and awards merit kid pointz - Apr 29 2022

web june merit award perseverance may merit award integrity april merit award co operation march merit award honesty february merit award

congratulations to the following children who received merit - Nov 05 2022

web kindergarten 1st grade 2nd grade 3rd grade 4th grade 5th grade 6th grade 7th grade all grades

21 award ideas for kindergarten students mom advice line - Jun 12 2023

web explore more than 36 merit award comments resources for teachers parents and pupils as well as related resources on comment bank for merit awards

merit award comments teach starter - Sep 03 2022

web oct 14 2022 here are 39 positive comments you may consider giving to your students or their parents positive comments about a student s personality here are nine positive

award and certificate templates for kids primary - Mar 09 2023

web may 18 2022 we gathered the top report card comments for kindergarteners with these 32 ready to use remarks and examples of positive feedback for students and

maruti suzuki repair and service pdf manuals - Jul 15 2023

web maruti alto k10 owners manual petrol p adobe acrobat document 1 5 mb download maruti celerio cng owners manual

maruti celerio cng owners manual maruti celerio cng owners manual compres adobe acrobat document 1 6 mb download

maruti ciaz manual maruti ciaz manual maruti ciaz manual pdf adobe acrobat document 4 2 mb

suzuki alto 1 1 2002 f10d car repair manual - Jun 02 2022

web suzuki alto 1 1 2002 f10d 1061ccm 46kw car repair manual

maruti alto repair service manuals 12 pdf s maruti alto service manual - Sep 05 2022

web maruti alto workshop owners service or repair manuals free no ads

maruti suzuki alto k10 manuals manualslib - Mar 31 2022

web maruti suzuki alto k10 manuals manuals and user guides for maruti suzuki alto k10 we have 2 maruti suzuki alto k10

manuals available for free pdf download manual owner s manual

suzuki alto service repair manual free pdf - Jun 14 2023

web suzuki alto service repair manual this manual contains procedures for diagnosis maintenance adjustments minor service operations replacement of components service and for disassembly and assembly of major components unit repair overhaul contents

2002 maruti suzuki alto rf410 f10d service manual - Jan 09 2023

web dec 31 2014 addeddate 2022 04 09 19 09 38 identifier 2002 maruti suzuki alto rf 410 f10d service manual identifier ark ark 13960 s2hm7ckd4rs ocr tesseract 5 0 0 1 g862e ocr detected lang

maruti workshop repair owners manuals 100 free - Nov 07 2022

web our maruti automotive repair manuals are split into five broad categories maruti workshop manuals maruti owners manuals maruti wiring diagrams maruti sales brochures and general miscellaneous maruti downloads the vehicles with the most documents are the versa other model and baleno

maruti suzuki alto k10 2023 owner s manual service - May 01 2022

web maruti suzuki authorised work shop for repairs or tow the vehicle to the light should go out after starting the note the nearest maruti suzuki authorised engine and fully releasing the parking workshop for repairs

suzuki alto factory service repair manuals cardiagn - Oct 06 2022

web suzuki altosuzuki alto service repair manual this manual contains procedures for diagnosis maintenance adjustments minor service operations replacement of components service and for disassembly and assembly of major components unit repair overhaul

maruti suzuki alto manual pdf download manualslib - May 13 2023

web view and download maruti suzuki alto manual online alto automobile pdf manual download also for alto k10
[maruti suzuki alto owner s manual pdf download manualslib](#) - Dec 08 2022

web view and download maruti suzuki alto owner s manual online maruti suzuki alto k10 owner manual alto automobile pdf manual download also for alto std alto lx alto lxi alto k10 alto k10 lxi alto k10 vxi

maruti suzuki maruti 800 service manual pdf download manualslib - Feb 10 2023

web view and download maruti suzuki maruti 800 service manual online maruti 800 automobile pdf manual download
maruti alto repair service manuals 12 pdf s - Aug 16 2023

web maruti alto service manual for roadside repairs maruti alto owners manual covering weekly checks maruti alto workshop manual covering lubricants fluids and tyre pressures maruti alto service pdf s covering routine maintenance and servicing detailed maruti alto engine and associated service systems for repairs and overhaul pdf

[suzuki alto free workshop and repair manuals](#) - Aug 04 2022

web to replace a burnt out headlight bulb in your suzuki alto first open the hood and locate the back of the headlight assembly twist and remove the bulb s socket from the assembly then carefully remove the old bulb and replace it with a new one making sure not to touch the glass part of the bulb with bare hands

[suzuki alto service repair manual suzuki alto pdf downloads motor era](#) - Jan 29 2022

web motor era offers service repair manuals for your suzuki alto download your manual now suzuki alto service repair manuals complete list of suzuki alto auto service

suzuki maruti 800 alto mb308 workshop service manual - Feb 27 2022

web suzuki maruti 800 alto mb308 workshop service manual suzuki maruti 800 alto mb308 workshop factory service repair manual f8b engine f8d engine this manual contains procedures for diagnosis maintenance adjustments minor service operations replacement of components service and for disassembly

suzuki alto repair service manuals 9 pdf s - Apr 12 2023

web suzuki alto service manual for roadside repairs suzuki alto owners manual covering weekly checks suzuki alto workshop manual covering lubricants fluids and tyre pressures suzuki alto service pdf s covering routine maintenance and servicing detailed suzuki alto engine and associated service systems for repairs and overhaul pdf

suzuki alto800 manual pdf download manualslib - Mar 11 2023

web view and download suzuki alto800 manual online maruti alto800 automobile pdf manual download

[maruti suzuki alto 800 lxi service manual pdf scribd](#) - Jul 03 2022

web maruti suzuki alto 800 lxi service manual view presentation slides online manual

maruti suzuki alto lxi manuals manualslib - Dec 28 2021

web maruti suzuki alto lxi owner s manual 139 pages maruti suzuki alto k10 owner manual brand maruti suzuki category automobile size 2 41 mb table of contents

extreme hepatic surgery and other strategies incr - Dec 27 2021

web apr 16 2023 merely said the extreme hepatic surgery and other strategies incr is universally compatible gone any devices to read minimally invasive surgery of the liver

pdf extreme hepatic surgery and other strategies incr - Oct 05 2022

web extreme hepatic surgery and other strategies incr pye s surgical handicraft mar 28 2021 socio economic factbook for surgery jul 20 2020 compendium of facts and

extreme in situ liver surgery under total vascular exclusion - Apr 11 2023

web jul 27 2017 the use of pre and perioperative chemotherapy for colorectal liver metastases remains controversial when metastases are initially resectable but it is

imaging based preoperative planning springerlink - Mar 10 2023

web jul 26 2017 this book describes the diagnoses staging and management of patients with colorectal liver metastases initially considered unresectable and portrays the different

extreme hepatic surgery and other strategies on apple books - Feb 09 2023

web materials and methods we present a series of consecutive patients with malignant liver tumors in hepatocaval confluence treated in a single center with extreme liver surgery

extreme hepatic surgery and other strategies overdrive - Dec 07 2022

web background aims despite recent development of therapeutic strategies for intrahepatic lesions standard guidelines for treatment of extrahepatic metastases of hepatocellular

extreme hepatic surgery and other strategies incr pdf - Nov 25 2021

web apr 7 2023 extreme hepatic surgery and other strategies incr 2 14 downloaded from uniport edu ng on april 7 2023 by guest hepatic cirrhosis preoperative risk assessment

extreme hepatic surgery and other strategies increasing - May 12 2023

web dec 3 2022 in this multimedia article we demonstrate an extreme in situ liver surgery under total vascular exclusion with right hepatic vein and inferior vena cava grafts for an

surgical approach for extrahepatic metastasis of hcc in the - Nov 06 2022

web extreme hepatic surgery and other strategies incr the daily edge feb 04 2021 wall street journal bestselling author david horsager frequently hears executives lament that

extreme hepatic surgery and other strategies springer - Sep 16 2023

web extreme hepatic surgery and other strategies increasing resectability in colorectal liver metastases editors diverse strategies have been developed with the intention to

extreme hepatic surgery and other strategies incr uniport edu - Oct 25 2021

extreme liver surgery as treatment of liver tumors involving the - Jan 08 2023

web jul 26 2017 with the years diverse strategies have been developed with the intention to increase resectability by increasing the future liver remnant and or reducing tumor size

extreme hepatic surgery and other strategies incr pdf - Jan 28 2022

web recognizing the exaggeration ways to acquire this ebook extreme hepatic surgery and other strategies incr is additionally useful you have remained in right site to begin

[extreme hepatic surgery and other strategies google books](#) - Jul 14 2023

web jul 26 2017 request pdf extreme hepatic surgery and other strategies increasing resectability in colorectal liver metastases this book describes the diagnoses staging

extreme hepatic surgery and other strategies incr - Mar 30 2022

web as this extreme hepatic surgery and other strategies incr it ends going on monster one of the favored ebook extreme hepatic surgery and other strategies incr

extreme hepatic surgery and other strategies incr pdf - Jul 02 2022

web extreme hepatic surgery and other strategies incr 3 3 tissue for these extreme forms of liver disease and for critical situations before and after liver surgery artificial liver

extreme hepatic surgery and other strategies incr n kokudo - Feb 26 2022

web extreme hepatic surgery and other strategies incr 1 extreme hepatic surgery and other strategies incr handbook of robotic and image guided surgery 2 extreme

extreme hepatic surgery and other strategies incr download - Sep 04 2022

web extreme hepatic surgery and other strategies increasing resectability in colorectal liver metastases english edition by eduardo de santibaña es victoria ardiles fernando

extreme hepatic surgery and other strategies increasing - Jun 13 2023

web jun 13 2023 strategies increasing extreme hepatic surgery and other strategies increasing liver transplantation for unresectable disease md extreme hepatic surgery

[extreme hepatic surgery and other strategies increasing](#) - Aug 03 2022

web jul 9 2023 extreme hepatic surgery and other strategies eduardo de santibañas 2017 07 26 this book describes the

diagnoses staging and management of patients

extreme hepatic surgery and other strategies incr pdf - Jun 01 2022

web jul 21 2023 extreme hepatic surgery and other strategies incr 1 13 downloaded from uniport edu ng on july 21 2023 by guest extreme hepatic surgery and other

extreme hepatic surgery and other strategies increasing - Aug 15 2023

web jul 26 2017 extreme hepatic surgery and other strategies increasing resectability in colorectal liver metastases eduardo de santibañes victoria ardiles fernando a

extreme hepatic surgery and other strategies incr copy - Apr 30 2022

web jan 22 2023 4731895 extreme hepatic surgery and other strategies incr 2 14 downloaded from help frey com on by guest amount and quality of the future liver

Embark on a breathtaking journey through nature and adventure with Explore with is mesmerizing ebook, Witness the Wonders in **Ford Manual Transmissions Identification** . This immersive experience, available for download in a PDF format (*), transports you to the heart of natural marvels and thrilling escapades. Download now and let the adventure begin!

https://offsite.creighton.edu/files/virtual-library/Documents/kubota_military_discount_2022.pdf

https://offsite.creighton.edu/files/virtual-library/Documents/karol_g_tusa_lyrics.pdf

https://offsite.creighton.edu/files/virtual-library/Documents/kindergarten_teacher_graduation_speech.pdf

Table of Contents Ford Manual Transmissions Identification

1. Understanding the eBook Ford Manual Transmissions Identification
 - The Rise of Digital Reading Ford Manual Transmissions Identification
 - Advantages of eBooks Over Traditional Books
2. Identifying Ford Manual Transmissions Identification
 - Exploring Different Genres
 - Considering Fiction vs. Non-Fiction
 - Determining Your Reading Goals
3. Choosing the Right eBook Platform
 - Popular eBook Platforms
 - Features to Look for in an Ford Manual Transmissions Identification
 - User-Friendly Interface
4. Exploring eBook Recommendations from Ford Manual Transmissions Identification
 - Personalized Recommendations

- Ford Manual Transmissions Identification User Reviews and Ratings
- Ford Manual Transmissions Identification and Bestseller Lists
- 5. Accessing Ford Manual Transmissions Identification Free and Paid eBooks
 - Ford Manual Transmissions Identification Public Domain eBooks
 - Ford Manual Transmissions Identification eBook Subscription Services
 - Ford Manual Transmissions Identification Budget-Friendly Options
- 6. Navigating Ford Manual Transmissions Identification eBook Formats
 - ePub, PDF, MOBI, and More
 - Ford Manual Transmissions Identification Compatibility with Devices
 - Ford Manual Transmissions Identification Enhanced eBook Features
- 7. Enhancing Your Reading Experience
 - Adjustable Fonts and Text Sizes of Ford Manual Transmissions Identification
 - Highlighting and Note-Taking Ford Manual Transmissions Identification
 - Interactive Elements Ford Manual Transmissions Identification
- 8. Staying Engaged with Ford Manual Transmissions Identification
 - Joining Online Reading Communities
 - Participating in Virtual Book Clubs
 - Following Authors and Publishers Ford Manual Transmissions Identification
- 9. Balancing eBooks and Physical Books Ford Manual Transmissions Identification
 - Benefits of a Digital Library
 - Creating a Diverse Reading Collection Ford Manual Transmissions Identification
- 10. Overcoming Reading Challenges
 - Dealing with Digital Eye Strain
 - Minimizing Distractions
 - Managing Screen Time
- 11. Cultivating a Reading Routine Ford Manual Transmissions Identification
 - Setting Reading Goals Ford Manual Transmissions Identification
 - Carving Out Dedicated Reading Time
- 12. Sourcing Reliable Information of Ford Manual Transmissions Identification
 - Fact-Checking eBook Content of Ford Manual Transmissions Identification

- Distinguishing Credible Sources
- 13. Promoting Lifelong Learning
 - Utilizing eBooks for Skill Development
 - Exploring Educational eBooks
- 14. Embracing eBook Trends
 - Integration of Multimedia Elements
 - Interactive and Gamified eBooks

Ford Manual Transmissions Identification Introduction

Ford Manual Transmissions Identification Offers over 60,000 free eBooks, including many classics that are in the public domain. Open Library: Provides access to over 1 million free eBooks, including classic literature and contemporary works. Ford Manual Transmissions Identification Offers a vast collection of books, some of which are available for free as PDF downloads, particularly older books in the public domain. Ford Manual Transmissions Identification : This website hosts a vast collection of scientific articles, books, and textbooks. While it operates in a legal gray area due to copyright issues, its a popular resource for finding various publications. Internet Archive for Ford Manual Transmissions Identification : Has an extensive collection of digital content, including books, articles, videos, and more. It has a massive library of free downloadable books. Free-eBooks Ford Manual Transmissions Identification Offers a diverse range of free eBooks across various genres. Ford Manual Transmissions Identification Focuses mainly on educational books, textbooks, and business books. It offers free PDF downloads for educational purposes. Ford Manual Transmissions Identification Provides a large selection of free eBooks in different genres, which are available for download in various formats, including PDF. Finding specific Ford Manual Transmissions Identification, especially related to Ford Manual Transmissions Identification, might be challenging as theyre often artistic creations rather than practical blueprints. However, you can explore the following steps to search for or create your own Online Searches: Look for websites, forums, or blogs dedicated to Ford Manual Transmissions Identification, Sometimes enthusiasts share their designs or concepts in PDF format. Books and Magazines Some Ford Manual Transmissions Identification books or magazines might include. Look for these in online stores or libraries. Remember that while Ford Manual Transmissions Identification, sharing copyrighted material without permission is not legal. Always ensure youre either creating your own or obtaining them from legitimate sources that allow sharing and downloading. Library Check if your local library offers eBook lending services. Many libraries have digital catalogs where you can borrow Ford Manual Transmissions Identification eBooks for free, including popular titles. Online Retailers: Websites like Amazon, Google Books, or Apple Books often sell eBooks. Sometimes, authors or publishers offer promotions or free periods

for certain books. Authors Website Occasionally, authors provide excerpts or short stories for free on their websites. While this might not be the Ford Manual Transmissions Identification full book, it can give you a taste of the authors writing style. Subscription Services Platforms like Kindle Unlimited or Scribd offer subscription-based access to a wide range of Ford Manual Transmissions Identification eBooks, including some popular titles.

FAQs About Ford Manual Transmissions Identification Books

How do I know which eBook platform is the best for me? Finding the best eBook platform depends on your reading preferences and device compatibility. Research different platforms, read user reviews, and explore their features before making a choice. Are free eBooks of good quality? Yes, many reputable platforms offer high-quality free eBooks, including classics and public domain works. However, make sure to verify the source to ensure the eBook credibility. Can I read eBooks without an eReader? Absolutely! Most eBook platforms offer web-based readers or mobile apps that allow you to read eBooks on your computer, tablet, or smartphone. How do I avoid digital eye strain while reading eBooks? To prevent digital eye strain, take regular breaks, adjust the font size and background color, and ensure proper lighting while reading eBooks. What the advantage of interactive eBooks? Interactive eBooks incorporate multimedia elements, quizzes, and activities, enhancing the reader engagement and providing a more immersive learning experience. Ford Manual Transmissions Identification is one of the best book in our library for free trial. We provide copy of Ford Manual Transmissions Identification in digital format, so the resources that you find are reliable. There are also many Ebooks of related with Ford Manual Transmissions Identification. Where to download Ford Manual Transmissions Identification online for free? Are you looking for Ford Manual Transmissions Identification PDF? This is definitely going to save you time and cash in something you should think about.

Find Ford Manual Transmissions Identification :

kubota military discount 2022

karol g tusa lyrics

kindergarten teacher graduation speech

kumon e answer book

king of the underworld book persephone

kingdom protista classification chart

laberintos para ninos

kuta pre algebra

lab activity latitude and longitude

la teoria economica

kumiko woodworking patterns

kristens collection stories

kristin hannah top books

kids to proz

ken follett winter of the world

Ford Manual Transmissions Identification :