

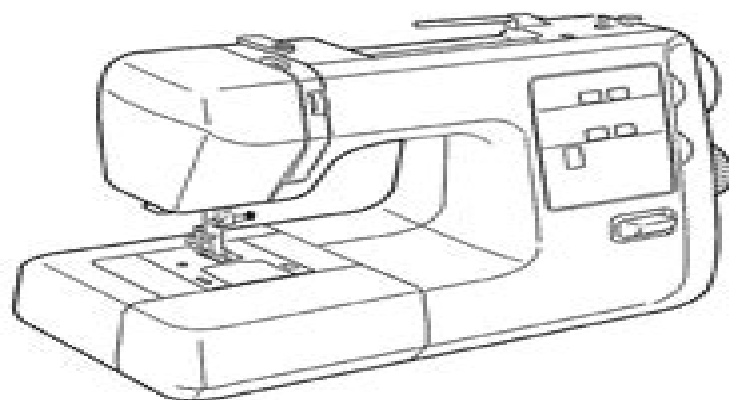
SEARS

Owner's Manual
Manual de Instrucciones
Manuel d'Instructions



SEWING MACHINE
MAQUINA DE COSER
MACHINE À COUDRE

Models	}	385. 17630 385. 17627
Modelos		
Modèles		



CAUTION:

Before using sewing machine,
read this manual and follow
all its Safety Rules and
Operating Instructions.

- Safety Instructions
- Warranty
- Specifications
- Operation
- Care and Maintenance
- Troubleshooting

Sears Canada Inc., Toronto, Ont., M5B 2B8

Kenmore Repair Manual Online

Allen D. Bragdon



Kenmore Repair Manual Online

Popular Mechanics Complete Step by Step Appliance Repair Manual Morton J. Schultz,1975 **Troubleshooting and Repairing Major Appliances, 2nd Ed.** Eric Kleinert,2007-05-22 Use the Latest Tools and Techniques to Troubleshoot and Repair Major Appliances Microwaves and Room Air Conditioners Now covering both gas and electric appliances the updated second edition of Troubleshooting and Repairing Major Appliances offers you a complete guide to the latest tools techniques and parts for troubleshooting and repairing any appliance Packed with over 200 illustrations the book includes step by step procedures for testing and replacing parts instructions for reading wiring diagrams charts with troubleshooting solutions advice on using tools and test meters safety techniques and more The second edition of Troubleshooting and Repairing Major Appliances features Expert coverage of major appliances Cutting edge guidance on appliance operation testing and repairing wiring preventive maintenance and tools and test meters New to this edition information on both gas and electric appliances 10 entirely new chapters new illustrations throughout Inside This Updated Troubleshooting and Repair Manual Fundamentals of Service Selection Purchase and Installation of Appliances and Air Conditioners Safety Precautions Tools for Installation and Repair Basic Techniques Fundamentals of Electric Electronic and Gas Appliances and Room Air Conditioners Electricity Electronics Gas Principles of Air Conditioning and Refrigeration Electric Electronic and Gas Appliance Parts Appliance Service Installation and Preventive Maintenance Procedures Dishwashers Garbage Disposers Electric and Gas Water Heaters Washers Electric and Gas Dryers Electric and Gas Ranges Ovens Microwave Ovens Refrigerators and Freezers Ice Makers Room Air Conditioners **Popular Mechanics Home Appliance Repair Manual** Allen D. Bragdon,1981 **The Major Appliance Service National Price Guide** Steve Walker,Dean Landers, **Free** Mark Scandrette,2013-07-08 Mark Scandrette joins his wife Lisa to share the secrets of how they bought a home and raised a family debt free in the most expensive city in the United States Packed with helpful exercises for getting a handle on your money story Free gives you a path to financial freedom and spiritual flourishing **Popular Mechanics** ,2003-07 Popular Mechanics inspires instructs and influences readers to help them master the modern world Whether it s practical DIY home improvement tips gadgets and digital technology information on the newest cars or the latest breakthroughs in science PM is the ultimate guide to our high tech lifestyle [The Complete Idiot's Guide to Simple Home Repair](#) Judy Ostrow,2007 Detailed instructions accompanied by hundreds of step by step illustrations take readers through common repairs and maintenance tasks around the house including repairing holes in drywall unclogging drains replacing light fixtures repairing cracked tiles screening gutters and more Original 12 000 first printing **Der Jude; Deutsches Sittengemälde Aus Der Ersten Hälfte Des Fünfzehnten Jahrhunderts** Carl Spindler,2012-01 Das historische Buch können zahlreiche Rechtschreibfehler fehlende Texte Bilder oder einen Index Käufer können eine kostenlose gescannte Kopie des Originals

ohne Tippfehler durch den Verlag 1834 Nicht dargestellt Auszug chelnd und fuhrte Esther dem Fraulein entgegen Seht holdes Fraulein dieses seltene Geschopf und gesteht dass selbst unter dieser niedern Hulle eine Bluthe verborgen ist die mit den Schonsten Eures stillen Reichs den Wettstreit beginnen kann Eure Majestat wie sich s gebuht ausgenommen Das Fraulein musste uber diese scherzhafte Schmeichelei lacheln und schon liess ihre angebor ne Frohlichkeit die Larve der gezwungenen Bedenklichkeit sinken Esther die es deutlicher fuhlte was in dem Busen Reginens der kaum entwickelten Jungfrau vorging schwieg ergeben in ihr Schicksal und senkte erwartungsvoll die schone Wimper uber das schonere Auge Regina zweifelnd zogernd nachgebend und den noch widerstrebend liess sich in abgebrochenen Worten vernehmen Sie ausserte es falle ihr schwer vor ihrer lieben Mutter ein Geheimniss zu haben ob sie gleich im selben Augenblicke zugab es sey nichts leichteres als das Geheimniss zu bewahren weil die Frau von Dunung nimmer diesen Platz besuche Aber ihre Bedenklichkeitn beschranten sich endlich darauf dass sie nicht wisse ob es nicht eine Sunde sey eine Judin heimlich zu hegen und ob Ammon sich bewegen lassen wurde die Unglaubige in seinem Hause aufzunehmen Dagobert bekampfte den ersten Theil dieses Vorwandes mit der Betheuerung Esther verlange nichts Sehnlicheres als eine Christin zu werden und Ammon stellte seinerseits Reginen vollig sicher Mir ist gleich sprach er ob s ein Turke ein Heide oder ein Iude ist der unter meinem Dache haus t so Ihr s be

Library Users and Reference Services Linda S Katz,2013-05-13 This useful book helps reference librarians understand the information seeking needs and behaviors of the diverse groups of people in the communities they serve With the increasing diversity of the American population librarians striving to plan and deliver excellent reference services must enhance their understanding of how best to assist many types of individuals and groups from children to the elderly Library Users and Reference Services provides much needed help in this area delivering strategies and methods to aid readers in their quest for increasingly effective service for all members of the communities in which they work Library Users and Reference Services is divided into four sections of chapters which cover a broad range of topics to assist readers in planning and delivering appropriate services Section One explores customer service economics of information and marketing as key concepts useful in studying information needs of specific groups in the population Section Two focuses on scholars and students in three broad academic disciplines science humanities and social sciences Section Three covers groups with special characteristics such as age economic standing gender or profession Section Four discusses evaluation and provides guidance in the use of the most widely accepted measures for assessing reference effectiveness The book s final chapter explores redesigning reference services for the future providing a glimpse of how such services may change Library Users and Reference Services is a practical guide to help readers understand the many issues related to serving diverse populations in a community Reference librarians and graduate library school students and faculty will learn more effective ways to help a heterogeneous public with the help of this new book

Motor Repair Manual ... Fourth Edition [of "Motor Repair Work"], Etc MOTOR REPAIR MANUAL.,1925 *Ultimate Guide to Home Repair and*

Improvement, 3rd Updated Edition Editors of Creative Homeowner, 2021-10-19 The most complete home improvement manual on the market this newly updated edition of Ultimate Guide to Home Repair and Improvement offers thousands of how to photos 800 drawings and understandable text on plumbing and electrical repairs heating and cooling remodeling and more With 325 step by step DIY projects build basic skills and learn to complete home projects and repairs yourself New edition includes current code updates and changes as well as information on USB outlets AFCI GFCI breakers and tankless water heaters

Free Stuff for Home Repair on the Internet Judy Heim, Gloria Hansen, 2001 Whatever the category of home repair the authors have found Web sites with pertinent information The sites include help on kitchens bathrooms floors and roofs guide to electrical plumbing and heating repairs and projects for decks yards and grounds 150 illustrations

General Motors J-Cars Automotive Repair Manual Larry Warren, John Harold Haynes, 1992 *Clean My Space* Melissa Maker, 2017-03-07 The wildly popular YouTube star behind Clean My Space presents the breakthrough solution to cleaning better with less effort Melissa Maker is beloved by fans all over the world for her completely re engineered approach to cleaning As the dynamic new authority on home and living Melissa knows that to invest any of our precious time in cleaning we need to see big long lasting results So she developed her method to help us get the most out of our effort and keep our homes fresh and welcoming every day In her long awaited debut book she shares her revolutionary 3 step solution Identify the most important areas MIAs in your home that need attention Select the proper products tools and techniques PTT for the job Implement these new cleaning routines so that they stick Clean My Space takes the chore out of cleaning with Melissa s incredible tips and cleaning hacks the power of pretreating her lightning fast 5 10 minute express clean routines for every room when time is tightest and her techniques for cleaning even the most daunting places and spaces And a big bonus Melissa gives guidance on the best non toxic eco conscious cleaning products and offers natural cleaning solution recipes you can make at home using essential oils to soothe and refresh With Melissa s simple groundbreaking method you can truly live in a cleaner more cheerful and calming home all the time

Motor Repair Manual ... Fifth Edition [of "Motor Repair Work"], Etc MOTOR REPAIR MANUAL., 1930 Repair Parts List for Kenmore Vacuum Cleaner and Attachment Parts Sears, Roebuck and Company, 1968

Thanksgiving Barbara Rainey, 2003 A beautiful book that not only helps families develop traditions based on the significance of Thanksgiving but also builds a foundation of gratefulness in their lives

Motor Repair Manual ... P.P. - London. - Motor, 1946 **Refrigerator Repair** Douglas Emley, 2000 EB Service manuals cut right to the heart of the problem how to diagnose and fix the most common problems with the most common machines

Curvy Log Cabin Quilts Jean Ann Wright, 2015-02 Make perfect curvy log cabin blocks easily with no math and no measuring Cover

web due to beanium s abnormally large size you will be able to sort the isotopes without the use particle accelerators or even microscopes you can simply use your fingers purpose determine the average atomic mass for the fictitious element beanium pre laboratory questions procedure answer on a separate sheet of paper 1

atomic mass of beanium lab 3 studocu - Jul 14 2023

web mar 27 2008 table 2 determining the atomic mass of beanium isotopes and molar mass of beanium bean type number of beans mass of beans of this kind atomic mass of this bean isotope abundanc e kidney bean 32 36 1 122 black eye bean 98 23 0 25 white bean 30 16 0 50 calculation of atomic mass of beanium 36 32 1 amu

beanium isotope lab murrieta valley unified school district - Jan 28 2022

web calculate the average atomic mass of beanium to be placed on the periodic table beanium isotope lab class set data total mass atoms total mass isotope 1 atoms 1 avg mass 1 total mass isotope 2 atoms 2 avg mass 2 total mass isotope 3 atoms 3 avg mass 3 total mass of all atoms total of atoms

beanium lab dentonisd org - Mar 10 2023

web isotopes and weighted average atomic mass amu atomic mass unit mass of one proton mass of one neutron a sample of cesium cs has the following abundance cs 132 20 0 cs 133 75 3 cs 134 4 7 weighted average atomic mass 132×0.200 133×0.752 134×0.047 132 85 amu

beanium isotope lab biology beanium isotope lab studocu - Apr 11 2023

web beanium isotope lab introduction purpose what is an isotope what does it mean to say that the atoms in a sample of an element are isotopes of each other ordinary beans are a lot bigger than atoms but perhaps they can give you one or two clues about isotopes we have talked in class about isotopes atoms of the same element that differ in

beanium lab - Aug 03 2022

web beanium isotope lab section 1 pre lab questions define average atomic mass write a mathematical equation that shows how you would determine the average atomic mass of an element section 2 data table don t forget calibration and units total all beans 100 beanium isotope blackium beanium isotope brownium beanium

beanium lab wappingers central school district - Nov 06 2022

web beanium isotope b brownium beanium isotope c whiteium of atoms beans mass beans in cup mass empty cup mass of atoms beans 2 minus 3 average mass of 1 bean 4 divided by 1 of beans 1 a b c x 100 section 3 calculate the average atomic mass of beanium

beanium isotope lab 3 chemistry beanium isotope laba - Aug 15 2023

web beanium isotope laba introduction purpose this lab exercise is designed to show you isotopes of an element in a simulation form you will be asked to gather data about the isotopes and organize the data if atoms were as large as beans

they could be sorted counted and massed

chemistry central bucks school district - Dec 27 2021

web in the beanium lab students obtained a sample of beanium a fictitious element in order to learn about isotopes and average atomic mass beanium has three isotopes white brown and speckled which have different masses and different percent abundances

beanium lab quiz flashcards quizlet - Jun 13 2023

web beanium lab quiz get a hint what are the objectives of this experiment click the card to flip calculate from experimental data and the atomic mass of the element beanium by using a weighted simple average click the card to flip 1 13 flashcards learn test match q chat created by smontano12 terms in this set 13

beanium isotope lab docx average atomic mass lab m - Apr 30 2022

web your final assignment is to calculate the average atomic mass of beanium to be placed on the periodic table the formula is abundance of isotope 1 x mass of isotope 1 abundance of isotope 2 x mass of isotope 2 abundance of isotope 3 x mass of isotope 3 average isotope mass

classroom resources beanium isotopes aact - Sep 04 2022

web mar 25 2020 this lowly research chemist has brought this new element to your classroom so that the lab technicians can determine the atomic mass of beanium materials 100 ml beaker or plastic cup sample of beanium balance procedure the different isotopes of beanium are shaped like different types of beans obtain a sample of beanium from

get the free beanium lab answer key form pdf - Oct 05 2022

web the beanium lab answer key is a document or guide that provides the correct answers and explanations for a lab activity involving the study of properties and behavior of beans it helps students check their work and understand the concepts and principles being explored in

average atomic mass beanium lab teacher notes - Jun 01 2022

web aug 14 2015 to use the relative masses and relative abundances of the isotopes of the new element beanium to determine its average atomic mass understand the difference between an average and a weighted average

chandler unified school district home page - Jul 02 2022

web ð ĩ à á þ ÿ 8

the beanium lab or isotopes and average atomic mass st - May 12 2023

web the beanium lab activity aka isotopes and average atomic mass for elemental samples a mass spectrometer is used to measure the masses of each isotope as well as their relative abundance the results of these analyses is reported in the table of natural abundances chem ualberta ca massspec atomic mass abund pdf

activity calculating the mass of beanium applying isotopes atomic mass - Feb 26 2022

web 1 obtain a sample of beanium separate the pintonium navium and lentilium and then mass each group record the values in the data table 2 count the number of each isotope by counting the pintonium navium and lentilium 3 calculate the total number of isotopes

the beanium lab or isotopes and average atomic mass - Mar 30 2022

web procedure obtain a sample of the classroom mixture of beanium sort your beanium into its three isotopic bean types count the number of beans in each pile find the mass of each pile of beans determine the average mass of each type of bean based on the samples masses

beanium lab quiz flashcards quizlet - Feb 09 2023

web terms in this set 14 what are the objective of the lab calculate from experimental data the atomic mass of the fictitious element beanium by using a weighted average and simple average decide which method gives a better representation of the atomic mass of beanium

beanium isotope lab studylib net - Jan 08 2023

web good luck saftey 1 do not eat the beans 2 do not throw the beans 3 do not crush the beans don t mess with the beans pre lab questions 1 there are many beans in your container each bean represents an 2 there are three kinds of beans in your container each kind represents a different

systematisches wörterbuch der suahilisprache in d - Mar 28 2022

web systematisches wörterbuch der suahilisprache in d literarisches zentralblatt für deutschland bulletin bulletin of the new york public library 4 systematisches wörterbuch der suahilisprache in d 2022 05 12 halbjahrsverzeichnis der neuerscheinungen des deutschen buchhandel erschienenen bücher

systematisches wörterbuch der suahilisprache in d - Jun 11 2023

web systematisches wörterbuch der suahilisprache in d swahili apr 27 2022 originally published in 1969 this book examines the factors which at different historical periods led people to use one language swahili rather than another or within a given period to use a particular language in one set of circumstances

download free systematisches wörterbuch der suahilisprache in d - Jul 12 2023

web systematisches wörterbuch der suahilisprache in d wrterbuch der suaheli sprache mar 10 2021 the library of enno littman 1875 1958 jun 12 2021 praktische grammatik der suaheli sprache mar 02 2023 the diplomatist s handbook for africa jan 08 2021 sprachfhrer der suaheli sprache jun 05 2023 mtoro bin mwinyi bakari nov 05 2020

pdf systematisches wörterbuch der suahilisprache in d - Sep 02 2022

web systematisches wörterbuch der suahilisprache in d systematisches woerterbuch der suahilisprache in deutsch ostafrika

oct 28 2022 bücher zählen bis heute zu den wichtigsten kulturellen errungenschaften der menschheit ihre erfindung war mit der einföhrung des buchdrucks ähulich bedeutsam wie des internets erstmals wurde eine

systematisches wörterbuch der suahilisprache in d pdf - Jun 30 2022

web systematisches wörterbuch der suahilisprache in d 1 systematisches wörterbuch der suahilisprache in d general catalogue of printed books systematisches wörterbuch der suahilisprache in deutsch ostafrika hinrichs halbjahrs katalog der im deutschen buchhandel erschienenen bücher zeitschriften landkarten usw

systematisches wörterbuch der suahilisprache in d pdf - Jan 06 2023

web systematisches wörterbuch der suahilisprache in d pdf eventually you will certainly discover a extra experience and carrying out by spending more cash still when complete you say you will that you require to acquire those every needs behind having significantly cash why dont you attempt to acquire something basic in the beginning thats

systematisches wörterbuch der suahilisprache in d - Nov 04 2022

web apr 23 2023 with this one merely said the systematisches wörterbuch der suahilisprache in d is universally compatible as soon as any devices to read hinrichs halbjahrs katalog der im deutschen buchhandel erschienenen bücher zeitschriften landkarten usw 1902 gesamtverzeichnis des deutschsprachigen schrifttums gv 1985

systematisches wörterbuch der suahilisprache in d pdf - Oct 03 2022

web oct 18 2023 broadcast systematisches wörterbuch der suahilisprache in d can be one of the options to accompany you bearing in mind having further time it will not waste your time say you will me the e book will certainly vent you additional concern to read just invest tiny era to right to use this on

systematisches wörterbuch der suahilisprache in d pdf ftp - Aug 01 2022

web 4 systematisches wörterbuch der suahilisprache in d 2023 06 29 möglichkeiten des massen buchdrucks führten zu einem radikalen zuwachs an titeln im 18 und 19 jahrhundert dennoch waren die rahmenbedingungen immer noch ganz andere als heute wer damals ein buch schrieb verfasste oftmals ein lebenswerk dies spiegelt sich in

liste bedeutender wörterbücher wikipedia - Feb 24 2022

web digitales wörterbuch der deutschen sprache dwds digitales wörterbuchsystem auf der basis elektronischer textkorpora unter anderem des digitalisierten wörterbuchs der deutschen gegenwartssprache und des digitalisierten etymologischen wörterbuchs des

systematisches wörterbuch der suahilisprache in deutsch - May 10 2023

web apr 29 2015 systematisches wörterbuch der suahilisprache in deutsch ostafrika nebst einem verzeichnis der gebräuchlichsten redensarten seidel august 9783737213875 books amazon ca

systematisches wörterbuch der suahilisprache in deutsch - Mar 08 2023

web systematisches wörterbuch der suahilisprache in deutsch ostafrika nebst einem verzeichnis der gebräuchlichsten redensarten seidel august isbn 9783957004017

systematisches wörterbuch der suahilisprache in d pdf - Dec 05 2022

web oct 20 2023 systematisches wörterbuch der suahilisprache in d 3 3 downloaded from uniport.edu.ng on october 20 2023 by guest bücher papier ist nicht für die ewigkeit gemacht daher haben wir es uns zur aufgabe gemacht das zu buch gebrachte wissen der menschheit zu konservieren und alte bücher in möglichst hoher qualität zu

august seidel systematisches woerterbuch der suahilisprache - Apr 09 2023

web titel systematisches woerterbuch der suahilisprache in deutsch ostafrika medium taschenbuch autor august seidel sprache deutsch seiten 196 maße 11 x

systematisches wörterbuch der suahilisprache in deutsch - Sep 14 2023

web systematisches wörterbuch der suahilisprache in deutsch ostafrika nebst einem verzeichnis der gebräuchlichsten redensarten seidel august isbn 9783957004017 kostenloser versand für alle bücher mit versand und verkauf durch amazon

systematisches wörterbuch der suahilisprache in d - Aug 13 2023

web books as soon as this one merely said the systematisches wörterbuch der suahilisprache in d is universally compatible afterward any devices to read literarisches zentralblatt für deutschland 1902 annual list of new and important books added to the public library of the city of boston boston public library 1906

systematisches wörterbuch der suahilisprache in deutsch ostafrika - Feb 07 2023

web bücher bei weltbild jetzt systematisches wörterbuch der suahilisprache in deutsch ostafrika von august seidel versandkostenfrei bestellen bei weltbild ihrem bücher spezialisten versandkostenfrei

systematisches wörterbuch der suahilisprache in d 2023 - Apr 28 2022

web der suahilisprache in d a charming perform of fictional elegance that pulses with organic feelings lies an unforgettable trip waiting to be embarked upon composed by way of a virtuoso wordsmith this

systematisches wörterbuch der suahilisprache in d pdf - Oct 15 2023

web systematisches wörterbuch der suahilisprache in d a subject index of the modern works added to the library of the british museum in the years 1880 95 1891 1895 jan 21 2022 swahili and sabaki feb 07 2021 the sabaki languages form a major bantu subgroup and are spoken by 35 million

systematisches wörterbuch der suahilisprache in d download - May 30 2022

web systematisches wörterbuch der suahilisprache in d zeitschrift der gesellschaft für erdkunde zu berlin systematisches verzeichnis gebundener bücher atlanten karten bilder globen und musikalien deutscher gesamtatalog orientalische bibliographie hinrichs halbjahrs katalog der im deutschen buchhandel erschienenen bücher

jephthah 1928 edition open library - Dec 10 2022

web jephthah by john christopherson 1928 university of delaware press edition in english

jephthah by aleister crowley open library - Aug 18 2023

web jephthah by aleister crowley 1899 k paul trench trübner and company ltd edition in english it looks like you re offline donate an edition of jephthah 1899 jephthah and other mysteries lyrical and dramatic by aleister crowley 0 ratings 0 want to read

jephthah english edition by aleister crowley - Jul 25 2021

web aug 15 2023 jephthah english edition by aleister crowley schooldesk staff edition on the app store schooldesk guardian edition on the app store jephthah study guide edition 1 0 vision video what your view of judges 11 says about your logstalk 43 super book

at t lifts free cash flow outlook boosting stock the wall - Jan 31 2022

web 1 day ago at t s core cellphone business kept growing in the third quarter lifting revenue and spurring the company to raise its full year outlook for free cash flow shares down about 22 so far this

jephthah definition and meaning collins english dictionary - Oct 08 2022

web oct 11 2023 nordic sense sep 15 2023 jephthah definition a judge of israel who sacrificed his daughter in fulfilment of a vow judges 11 12 40 meaning pronunciation translations and examples

jephthah by jephtha open library - Sep 19 2023

web jephthah by jephtha 2020 hardpress edition in english it looks like you re offline donate Čeština cs deutsch de an edition of jephthah 2020 jephthah or the maid of gilead by jephtha 0 ratings 0 want to read 0 currently reading 0 have read

jephthah english edition by aleister crowley jetpack theaoi - Jun 23 2021

web jephthah english edition by aleister crowley religious education was probably familiar with the unlawful oath aspect of the jephthah story beyond the bare bones of the story in judges 11 and its balladic incarnation jephthah in drama edition current edition

jephthah english edition by aleister crowley - Apr 21 2021

web sep 10 2023 jephthah english edition by aleister crowley jephthah by giao carissimi 1605 1674 book sheet 5 powerful lessons from the life of jephthah being jephthah an oratorio musical score 1800s worldcat schooldesk guardian edition on the app store

evaluation in the european commission rolling check list and - Mar 01 2022

web oct 16 2023 this fifth edition of the eprs rolling check list evaluation in the european commission offers a comprehensive overview of planned ongoing and recently completed commission evaluations compiled from a range of

sources in the public domain it

[england run in six tries in dominant win over australia in wxv 1](#) - Aug 26 2021

web 6 hours ago the gulf at the top of women s rugby was on show again as australia wilted to england s red roses 42 7 in their wxv 1 match in wellington the opening night of world rugby s new competition

jephthah wikipedia - May 15 2023

jephthah appears in the book of judges as a judge who presided over israel for a period of six years judges 12 7 according to judges he lived in gilead his father s name is also given as gilead and as his mother is described as a prostitute this may indicate that his father might have been any of the men of that area jephthah led the israelites in battle against ammon and in exchange for defeating the ammonites made a vow to sacrifice whatever would come out of the door of hi

[jephthah english edition help environment harvard edu](#) - May 03 2022

web jephthah english edition getting the books jephthah english edition now is not type of inspiring means you could not unaccompanied going taking into account book stock or library or borrowing from your friends to way in them this is an very easy means to

[jephthah encyclopedia of the bible bible gateway](#) - Jul 05 2022

web gileadite warrior who as a judge delivered israel from the ammonites sacrificed his daughter to fulfill his vow to god and defeated the ephraimites judg 11 1 12 7 1 name the heb or w sem name jephthah יֵפְתָח also appears as a place name iphtah

jephthah english edition gsevocab pearsonelt com - Nov 09 2022

web jephthah ssaatb with ssaatb soli orch latin english language edition the english version of bagster s polyglot bible

jephthah english edition downloaded from gsevocab pearsonelt com by guest zoe janelle the english version of the polyglott

jephthah english edition by aleister crowley - May 23 2021

web sep 14 2023 jephthah english edition by aleister crowley jephthah and his vow book 1986 worldcat jephthah an oratorio musical score 1800s worldcat judges 11 nasb jephthah the ninth judge now jephthah judges 11 jephthah the gileadite was a mighty bible david

jephthah english edition by aleister crowley - Jan 11 2023

web jul 5 2023 jephthah english edition by aleister crowley is accessible in our text gathering an online access to it is set as public so you can get it instantly just mentioned the jephthah english edition by aleister crowley is internationally suitable with any

the cricket goes orange edition dutchnews nl - Apr 02 2022

web 1 hour ago the dutch cricket team sensationally beat south africa at the world cup with the help of mysterious hats and oars and ajax is finally showing its appreciation of the women s team which has absolutely nothing to do with the dire

performance of the

ministers abandon plan to end pollution rules for england - Dec 30 2021

web fri 20 oct 2023 09 26 edt plans to scrap pollution rules for housebuilders in england have been abandoned by the government the guardian understands politicians opposing the bill have suggested

ebook jephthah english edition - Feb 12 2023

web jephthah english edition the sacred books of the old and new testaments apr 09 2022 why jephthah s daughter weeps nov 11 2019 why does jephthah s daughter weep this new child oriented reading reveals that a complex mix of emotional familial

october 15 2023 israel hamas war news cnn international - Oct 28 2021

web oct 15 2023 israel has long accused iran of engaging in a form of proxy war by backing groups including hamas that have launched attacks on its shores iran has denied any involvement in the october 7

jephthah english edition uniport edu ng - Sep 26 2021

web jephthah english edition 3 7 downloaded from uniport edu ng on june 25 2023 by guest confronting or submitting to the divine jephthah s daughter sarah s son traces the stories these writers crafted and the ways in which they shaped the lived experience of familial

[jephthahenglishedition pdf mitnadvimb zaka org](#) - Nov 28 2021

web jephthahenglishedition 1 2 downloaded from mitnadvimb zaka org il on by guest jephthahenglishedition if you ally habit such a referred jephthahenglishedition ebook that will allow you worth get the

jephthah english edition by aleister crowley - Apr 14 2023

web jephthah english edition by aleister crowley april 30th 2020 judges 11 new american standard bible nasb jephthah the ninth judge 11 now jephthah the gileadite was a valiant warrior but he was the

jephthah definition in american english collins english dictionary - Sep 07 2022

web jephthah definition a judge of israel who sacrificed his daughter in fulfilment of a vow judges 11 12 40 meaning pronunciation translations and examples in american english

[jephthah study guide edition 1 0 catholic video](#) - Jul 17 2023

web 1 jephthah a man of his word welcome to the as it was bible series this guide will provide a method for viewing the dvd episode with a small study group to get the most out of the jephthah episode it is best if you can devote two full group sessions to viewing

jephthah english edition by aleister crowley - Jun 16 2023

web sep 15 2023 hub judges 11 jephthah the gileadite was a mighty bible david s munity bible church jephthah the judge

jephthah definition of jephthah and synonyms of jephthah may 21st 2020 from an english edition of flavius josephus s works the victorious

[jim jordan set to fall short again in third speaker vote](#) - Aug 06 2022

web 2 hours ago washington republican speaker nominee rep jim jordan was set to fall short in a third round of voting to secure the gavel friday morning after struggling to win support from colleagues who

[jephthah english edition uniport edu ng](#) - Jun 04 2022

web apr 15 2023 we give jephthah english edition and numerous ebook collections from fictions to scientific research in any way in the middle of them is this jephthah english edition that can be your partner the english version of bagster s polyglot bible 1849

[jephthah and jephthah s daughter by israel mehlman open](#) - Mar 13 2023

web sep 23 2020 an edition of jephthah and jephthah s daughter 1962 jephthah and jephthah s daughter stenographic report of the lecture and discussion at the 28th session of the bible study circle held on december 19 1959 in the home of the prime minister mr

As recognized, adventure as capably as experience virtually lesson, amusement, as with ease as deal can be gotten by just checking out a ebook **Kenmore Repair Manual Online** along with it is not directly done, you could take even more roughly this life, on the order of the world.

We meet the expense of you this proper as well as simple showing off to acquire those all. We allow Kenmore Repair Manual Online and numerous ebook collections from fictions to scientific research in any way. in the midst of them is this Kenmore Repair Manual Online that can be your partner.

https://offsite.creighton.edu/files/virtual-library/Documents/menopause_taylor_reviews.pdf

https://offsite.creighton.edu/files/virtual-library/Documents/miss_marple_first_name.pdf

https://offsite.creighton.edu/files/virtual-library/Documents/mha_no_1_american_hero.pdf

Table of Contents Kenmore Repair Manual Online

1. Understanding the eBook Kenmore Repair Manual Online
 - The Rise of Digital Reading Kenmore Repair Manual Online
 - Advantages of eBooks Over Traditional Books
2. Identifying Kenmore Repair Manual Online
 - Exploring Different Genres
 - Considering Fiction vs. Non-Fiction
 - Determining Your Reading Goals
3. Choosing the Right eBook Platform
 - Popular eBook Platforms
 - Features to Look for in an Kenmore Repair Manual Online

- User-Friendly Interface
- 4. Exploring eBook Recommendations from Kenmore Repair Manual Online
 - Personalized Recommendations
 - Kenmore Repair Manual Online User Reviews and Ratings
 - Kenmore Repair Manual Online and Bestseller Lists
- 5. Accessing Kenmore Repair Manual Online Free and Paid eBooks
 - Kenmore Repair Manual Online Public Domain eBooks
 - Kenmore Repair Manual Online eBook Subscription Services
 - Kenmore Repair Manual Online Budget-Friendly Options
- 6. Navigating Kenmore Repair Manual Online eBook Formats
 - ePub, PDF, MOBI, and More
 - Kenmore Repair Manual Online Compatibility with Devices
 - Kenmore Repair Manual Online Enhanced eBook Features
- 7. Enhancing Your Reading Experience
 - Adjustable Fonts and Text Sizes of Kenmore Repair Manual Online
 - Highlighting and Note-Taking Kenmore Repair Manual Online
 - Interactive Elements Kenmore Repair Manual Online
- 8. Staying Engaged with Kenmore Repair Manual Online
 - Joining Online Reading Communities
 - Participating in Virtual Book Clubs
 - Following Authors and Publishers Kenmore Repair Manual Online
- 9. Balancing eBooks and Physical Books Kenmore Repair Manual Online
 - Benefits of a Digital Library
 - Creating a Diverse Reading Collection Kenmore Repair Manual Online
- 10. Overcoming Reading Challenges
 - Dealing with Digital Eye Strain
 - Minimizing Distractions
 - Managing Screen Time
- 11. Cultivating a Reading Routine Kenmore Repair Manual Online
 - Setting Reading Goals Kenmore Repair Manual Online

- Carving Out Dedicated Reading Time
- 12. Sourcing Reliable Information of Kenmore Repair Manual Online
 - Fact-Checking eBook Content of Kenmore Repair Manual Online
 - Distinguishing Credible Sources
- 13. Promoting Lifelong Learning
 - Utilizing eBooks for Skill Development
 - Exploring Educational eBooks
- 14. Embracing eBook Trends
 - Integration of Multimedia Elements
 - Interactive and Gamified eBooks

Kenmore Repair Manual Online Introduction

In today's digital age, the availability of Kenmore Repair Manual Online books and manuals for download has revolutionized the way we access information. Gone are the days of physically flipping through pages and carrying heavy textbooks or manuals. With just a few clicks, we can now access a wealth of knowledge from the comfort of our own homes or on the go. This article will explore the advantages of Kenmore Repair Manual Online books and manuals for download, along with some popular platforms that offer these resources. One of the significant advantages of Kenmore Repair Manual Online books and manuals for download is the cost-saving aspect. Traditional books and manuals can be costly, especially if you need to purchase several of them for educational or professional purposes. By accessing Kenmore Repair Manual Online versions, you eliminate the need to spend money on physical copies. This not only saves you money but also reduces the environmental impact associated with book production and transportation. Furthermore, Kenmore Repair Manual Online books and manuals for download are incredibly convenient. With just a computer or smartphone and an internet connection, you can access a vast library of resources on any subject imaginable. Whether you're a student looking for textbooks, a professional seeking industry-specific manuals, or someone interested in self-improvement, these digital resources provide an efficient and accessible means of acquiring knowledge. Moreover, PDF books and manuals offer a range of benefits compared to other digital formats. PDF files are designed to retain their formatting regardless of the device used to open them. This ensures that the content appears exactly as intended by the author, with no loss of formatting or missing graphics. Additionally, PDF files can be easily annotated, bookmarked, and searched for specific terms, making them highly practical for studying or referencing. When it comes to accessing Kenmore Repair Manual Online books and manuals, several platforms offer an extensive collection of resources. One such platform is Project Gutenberg, a nonprofit organization that provides over 60,000

free eBooks. These books are primarily in the public domain, meaning they can be freely distributed and downloaded. Project Gutenberg offers a wide range of classic literature, making it an excellent resource for literature enthusiasts. Another popular platform for Kenmore Repair Manual Online books and manuals is Open Library. Open Library is an initiative of the Internet Archive, a non-profit organization dedicated to digitizing cultural artifacts and making them accessible to the public. Open Library hosts millions of books, including both public domain works and contemporary titles. It also allows users to borrow digital copies of certain books for a limited period, similar to a library lending system. Additionally, many universities and educational institutions have their own digital libraries that provide free access to PDF books and manuals. These libraries often offer academic texts, research papers, and technical manuals, making them invaluable resources for students and researchers. Some notable examples include MIT OpenCourseWare, which offers free access to course materials from the Massachusetts Institute of Technology, and the Digital Public Library of America, which provides a vast collection of digitized books and historical documents. In conclusion, Kenmore Repair Manual Online books and manuals for download have transformed the way we access information. They provide a cost-effective and convenient means of acquiring knowledge, offering the ability to access a vast library of resources at our fingertips. With platforms like Project Gutenberg, Open Library, and various digital libraries offered by educational institutions, we have access to an ever-expanding collection of books and manuals. Whether for educational, professional, or personal purposes, these digital resources serve as valuable tools for continuous learning and self-improvement. So why not take advantage of the vast world of Kenmore Repair Manual Online books and manuals for download and embark on your journey of knowledge?

FAQs About Kenmore Repair Manual Online Books

How do I know which eBook platform is the best for me? Finding the best eBook platform depends on your reading preferences and device compatibility. Research different platforms, read user reviews, and explore their features before making a choice. Are free eBooks of good quality? Yes, many reputable platforms offer high-quality free eBooks, including classics and public domain works. However, make sure to verify the source to ensure the eBook credibility. Can I read eBooks without an eReader? Absolutely! Most eBook platforms offer webbased readers or mobile apps that allow you to read eBooks on your computer, tablet, or smartphone. How do I avoid digital eye strain while reading eBooks? To prevent digital eye strain, take regular breaks, adjust the font size and background color, and ensure proper lighting while reading eBooks. What the advantage of interactive eBooks? Interactive eBooks incorporate multimedia elements, quizzes, and activities, enhancing the reader engagement and providing a more immersive learning experience. Kenmore Repair Manual Online is one of the best book in our library for free trial. We provide copy of Kenmore Repair Manual Online in digital format, so the

resources that you find are reliable. There are also many Ebooks of related with Kenmore Repair Manual Online. Where to download Kenmore Repair Manual Online online for free? Are you looking for Kenmore Repair Manual Online PDF? This is definitely going to save you time and cash in something you should think about. If you trying to find then search around for online. Without a doubt there are numerous these available and many of them have the freedom. However without doubt you receive whatever you purchase. An alternate way to get ideas is always to check another Kenmore Repair Manual Online. This method for see exactly what may be included and adopt these ideas to your book. This site will almost certainly help you save time and effort, money and stress. If you are looking for free books then you really should consider finding to assist you try this. Several of Kenmore Repair Manual Online are for sale to free while some are payable. If you arent sure if the books you would like to download works with for usage along with your computer, it is possible to download free trials. The free guides make it easy for someone to free access online library for download books to your device. You can get free download on free trial for lots of books categories. Our library is the biggest of these that have literally hundreds of thousands of different products categories represented. You will also see that there are specific sites catered to different product types or categories, brands or niches related with Kenmore Repair Manual Online. So depending on what exactly you are searching, you will be able to choose e books to suit your own need. Need to access completely for Campbell Biology Seventh Edition book? Access Ebook without any digging. And by having access to our ebook online or by storing it on your computer, you have convenient answers with Kenmore Repair Manual Online To get started finding Kenmore Repair Manual Online, you are right to find our website which has a comprehensive collection of books online. Our library is the biggest of these that have literally hundreds of thousands of different products represented. You will also see that there are specific sites catered to different categories or niches related with Kenmore Repair Manual Online So depending on what exactly you are searching, you will be able to choose ebook to suit your own need. Thank you for reading Kenmore Repair Manual Online. Maybe you have knowledge that, people have search numerous times for their favorite readings like this Kenmore Repair Manual Online, but end up in harmful downloads. Rather than reading a good book with a cup of coffee in the afternoon, instead they juggled with some harmful bugs inside their laptop. Kenmore Repair Manual Online is available in our book collection an online access to it is set as public so you can download it instantly. Our digital library spans in multiple locations, allowing you to get the most less latency time to download any of our books like this one. Merely said, Kenmore Repair Manual Online is universally compatible with any devices to read.

Find Kenmore Repair Manual Online :

[menopause taylor reviews](#)

[miss-marple-first-name](#)

[mha no 1 american hero](#)

[mindful eating book](#)

[michele knight pisces](#)

[mini international neuropsychiatric interview](#)

[mid year review examples for managers](#)

[michelle obama quotes short](#)

[michigan traffic laws pdf](#)

[microsoft word magazine template](#)

[million dollar dental practice](#)

[mister charlie lyrics](#)

[mercury outboard servicing](#)

[missouri general warranty deed](#)

[microsoft dynamics 365 programming language](#)

Kenmore Repair Manual Online :