

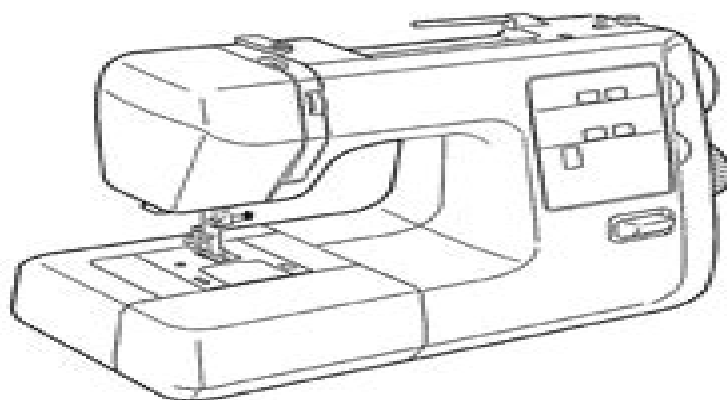
# SEARS

Owner's Manual  
Manual de Instrucciones  
Manuel d'Instructions



**SEWING MACHINE**  
**MAQUINA DE COSER**  
**MACHINE À COUDRE**

Models }  
Modelos } 385. 17630  
Modèles } 385. 17627



**CAUTION:**

Before using sewing machine,  
read this manual and follow  
all its Safety Rules and  
Operating Instructions.

- Safety Instructions
- Warranty
- Specifications
- Operation
- Care and Maintenance
- Troubleshooting

Sears Canada Inc., Toronto, Ont., M5B 2B8

# **Kenmore Sewing Machine Manual 385**

**WENDY. GARDINER**



# Kenmore Sewing Machine Manual 385

Sears Kenmore Instructions Sears, Roebuck and Company,1975     The Sewing Machine Manual WENDY. GARDINER,2023-07-13     **Quick & Easy Sewing Projects** Cy DeCosse Incorporated,1993 Includes how to information

Sew Very Easy Quilt Favorites Laura Coia,2020-03-25 Learn quilting basics from a YouTube sensation and practice your skills with 12 fun projects suitable for all skill levels Her instructional videos have inspired thousands to start sewing Now for the first time sew lebrity Laura Coia shares written patterns for the most loved video tutorials on her Sew Very Easy YouTube channel Learn the basics of quilt making from cutting and pressing to borders and finishing Then practice your skills with a dozen beautiful projects quilts you ll come back to time and time again all suitable for beginners and beyond     The Sewing Machine Manual Wendy Gardiner,2022     Sewing Machine Service Manual L. ROBINSON,1958     **Sewing Machinery** John W. Urquhart,1881     Disabled Village Children David Werner,1987 A book of information and ideas for all who are concerned about the well being of disabled children It is especially for those who live in rural areas where resources are limited Written by the author with the help of disabled persons and pioneers in rehabilitation in many countries this book gives a wealth of clear simple but detailed information concerning most common disabilities of children many different physical disabilities blindness deafness fits behavior problems and developmental delay It gives suggestions for simplified rehabilitation low cost aids and ways to help disabled children find a role and be accepted in the community Above all the book helps us to realize that most of the answers for meeting these children s needs can be found within the community the family and in the children themselves It discusses ways of starting small community rehabilitation centers and workshops run by disabled persons or the families of disabled children Back cover     **Thanksgiving** Barbara Rainey,2003 A beautiful book that not only helps families develop traditions based on the significance of Thanksgiving but also builds a foundation of gratefulness in their lives     *How to Sew: Appliqué* The Editors of David & Charles,2010-11-18 A concise guide to applique sewing and design with projects included Unleash your creativity with this book covering all of the basics of applique sewing and design In this short introductory guide this highly adaptable skill is described in step by step detail with Easy to follow projects Professional tips Fun variations and ideas     **Manual of Family Sewing Machines** Singer Sewing Machine Company,1914     **Stash Statement** Kelly Young,2018-04-02 Welcome to structured improvisation where there s a plan in place but still plenty of room to play Learn three methods for sewing together rectangles squares strips and even the tiniest fabric scraps to create new yardage then use the resulting scrappy fabrics in a dozen dazzling step by step quilt patterns Start by working with just one color at a time to get the hang of improv piecing Soon you ll progress to mixing colors and prints in scrap packed quilts that will give a happy home to every piece of fabric you ve ever saved     **Instruction Manual for Sewing Machine** Necchi S.p.A.,2006     Instructions for Operating the Franklin Sewing Machine ,     *Dykes Sewing*

*Machine Service Manual* Ottis Dykes,1978      **Operation Manual** ,2018      **User's Manual, White Rotary Electric Sewing Machines** White Sewing Machine Company,1946\*      **The Art of Sewing and Dress Creation and Instructions on the Care and Use of the White Rotary Electric Sewing Machines** Anon.,2018-01-31 This book contains a comprehensive guide to operating the Martha Washington electric sewing machine With simple step by step instructions and helpful photographs this detailed handbook will be of considerable utility to those with an interest in using this type of sewing equipment Contents include Creation and Care of the White Rotary Electric Sewing Machine White Course in Sewing and Dress Creation Brief History of Thomas White The Art of Using the Sewing Machine Necessary Utensils Points for Every Woman to Consider Consider the Value of Time What Makes the Successful Garment etc Many vintage books such as this are becoming increasingly scarce and expensive It is with this in mind that we are republishing this volume now in an affordable modern high quality edition complete with a specially commissioned new introduction      [Sewing machine manual](#) Denis Murphy,1984      **African American Architects** Dreck Spurlock Wilson,2004-03 Since 1865 African American architects have been designing and building houses and public buildings but the architects are virtually unknown This work brings their lives and work to light for the first time

**room rental in singapore landlord s remedies for breach of contract** - Jul 03 2022

web nov 17 2012 the remedies of the landlord in such a case are as follows the landlord may sue the tenant for the arrears in rent the action must be brought within six years of the date that the arrears became due if there is a forfeiture clause in the tenancy the landlord may re enter and re possess the premises and evict the tenant

[liquidated damages and penalties in singapore white case](#) - May 01 2022

web service areas liquidated damages provisions in contracts are unenforceable if they constitute a penalty the past few years have seen subtle but important shifts in how the concept of a penalty is defined a recent decision from the singapore court of appeal gives insight into the approach taken in that country

**lease on the beach a damaged oods mystery audiobooks com** - Aug 04 2022

web the best laid plans didn t check in with her stressful job as part of damaged goods property management or her drama queen mother when one of their clients is found brutally murdered and a recently evicted tenant is a suspect jackie vows to luke and logan that this time she ll stay out of the fray

[make a property damage claim great eastern singapore](#) - Jun 02 2022

web make a property damage claim upon discovery of the damages to your property contact your insurance agent and take relevant photographs of the damages in your premise you can also call our general claim hotline at 65 6248 2638 for assistance

lease on the beach a damaged goods mystery damaged goods - Mar 11 2023

web lease on the beach a damaged goods mystery damaged goods series book 2 ebook hart jennifer l amazon co uk kindle store

damaged goods series 4 book series kindle edition - Jun 14 2023

web lease on the beach a damaged goods mystery damaged goods series book 2 a new lease on life can end in death after a brush with death jackie parker has big plans to lie low for a while the best laid plans didn t check in with her stressful job as part of damaged goods property management or her drama queen mother

lease on the beach a damaged goods mystery hart jennifer l - Feb 10 2023

web lease on the beach a damaged goods mystery hart jennifer l 9781506023069 books amazon ca

*lease on the beach a damaged goods mystery goodreads* - Oct 18 2023

web lease on the beach is the second book in jennifer l hart s captivating damaged goods mystery series jackie her husband luke and her brother in law logan run damaged goods a property management company in miami florida

lease on the beach by jennifer l hart audiobook scribd - Sep 05 2022

web a new lease on life after a brush with death jackie parker has big plans to lie low for a while the best laid plans didn t check in with her stressful job as part of damaged goods property management or her drama queen mother when one of their clients is found brutally murdered and a recently evicted tenant is a suspect jackie vows to luke and

lease on the beach damaged goods mystery book 2 by - Jul 15 2023

web a new lease on life after a brush with death jackie parker has big plans to lie low for a while the best laid plans didn t check in with her stressful job as part of damaged goods property management or her drama queen mother

how to recover damages for breach of contract in singapore - Mar 31 2022

web jul 13 2022 the article will cover the type of damages you can recover in a breach of contract claim whether you can recover all types of damages how to recover damages for a breach of contract including what you need to prove and how damages can be calculated

**lease on the beach a damaged oods mystery storytel** - May 13 2023

web aug 20 2022 a new lease on life after a brush with death jackie parker has big plans to lie low for a while the best laid plans didn t check in with her stressful job as part of damaged goods property management or her drama qu*how to master*

*ccnp route paperback 28 august* - Feb 08 2023

web how to master ccnp route molenaar ren published by createspace independent publishing platform 2013 isbn 10 1491295856 isbn 13 9781491295854 new

**how to master ccnp route book by rene molenaar thriftbooks** - Jul 01 2022

web aug 28 2013 rené molenaar createspace independent publishing platform aug 28 2013 communications software 326 pages how to master ccnp tshoot shows

*how to master ccnp route molenaar rené 9781491295854* - Dec 06 2022

web aug 28 2013 4 35 63 ratings3 reviews ow to master ccnp switch shows you step by step everything you need to know to master the ccnp switch exam you will

*about us networklessons com* - Aug 02 2022

web rene molenaar is the author of how to master ccna 4 34 avg rating 114 ratings 9 reviews published 2013 how to master ccnp route 4 32 avg rating 7

**how to master ccnp switch rene molenaar 9781492113096** - Feb 25 2022

web merely said the master ccna rene molenaar is universally compatible like any devices to read routing tcp ip volume ii jeff doyle 2016 09 16 routing tcp ip volume ii

**calaméo how to master ccnp route** - Mar 29 2022

web how to master ccnp route rene molenaar download on z library z library download books for free find books

rene molenaar author of how to master ccna goodreads - May 31 2022

web how to master ccnp route gns3vault com rené molenaar page 208 of 283 bgp is the routing protocol we use to route between autonomous systems bgp guarantees

how to master ccnp route by rené molenaar paperback - May 11 2023

web buy how to master ccnp route 2015 by molenaar rené isbn 9781491295854 from amazon s book store everyday low prices and free delivery on eligible orders

*pdf how to master ccnp route munaf sheikh* - Dec 26 2021

web aug 28 2013 ow to master ccnp switch shows you step by step everything you need to know to master the ccnp switch exam you will discover new topics like layer 3

*how to master ccnp tshoot rené molenaar google books* - Apr 29 2022

web ow to master ccnp switch shows you step by step everything you need to know to master the ccnp switch exam you will discover new topics like layer 3 switching and

*how to master ccnp switch by rene molenaar goodreads* - Oct 04 2022

web welcome to networklessons com our mission is to explain complex networking topics as simple as possible for you my name is rené molenaar ccie 41726 and i m a full

*how to master ccnp route by rene molenaar alibris* - Sep 03 2022

web how to master ccnp route shows you step by step everything you need to know to master the ccnp route exam you will

discover new topics like bgp routing

[how to master ccnp switch rene molenaar google books](#) - Sep 22 2021

**how to master ccnp route rene molenaar download on z** - Jan 27 2022

web sep 3 2013 how to master ccna covers everything you need to know in order to pass cisco s ccna routing switching exam you will learn about the basics of networking

[how to master ccnp route book by rene molenaar](#) - Nov 05 2022

web buy how to master ccnp route by rene molenaar online at alibris we have new and used copies available in 1 editions starting at 18 38 shop now

**master ccna rene molenaar harvard university** - Nov 24 2021

[book review how to master ccnp route packet pushers](#) - Jan 07 2023

web buy a copy of how to master ccnp route book by rene molenaar how to master ccnp route shows you step by step everything you need to know to master the

*how to master ccnp route paperback 28 aug 2013* - Mar 09 2023

web feb 10 2013 how to master ccnp route rene molenaar ebook pdf via instant download with watermark gns3vault com author rene molenaar is a cisco

**how to master ccnp route 1st edition amazon com** - Jul 13 2023

web how to master ccnp switch gns3vault com rene molenaar page 6 of 339 2950 switchb fa0 14 fa0 14 fa0 16 fa0 16 fa0 14 fa0 fa0 17 13 fa0 13 13 fa0 16

**how to master ccnp route molenaar rene** - Apr 10 2023

web aug 28 2013 how to master ccnp route shows you step by step everything you need to know to master the ccnp route exam you will discover new topics like bgp

**how to master ccna rene molenaar google books** - Oct 24 2021

*how to master ccnp route rene molenaar google books* - Aug 14 2023

web aug 28 2013 how to master ccnp route shows you step by step everything you need to know to master the ccnp route exam you will discover new topics like bgp

**how to master ccnp switch gns3vault** - Jun 12 2023

web aug 28 2013 how to master ccnp route shows you step by step everything you need to know to master the ccnp route

exam you will discover new topics like bgp

**buy whom do you like more level 1 300 words level** - Apr 11 2023

web amazon in buy whom do you like more level 1 300 words level chinese breeze graded reader series book online at best prices in india on amazon in read whom do you like more level 1 300 words level chinese breeze graded reader series book reviews author details and more at amazon in free delivery on qualified orders

**whom do you like more level 1 300 words level chi pdf** - Aug 03 2022

web whom do you like more level 1 300 words level chi yeah reviewing a books whom do you like more level 1 300 words level chi could go to your close friends listings this is just one of the solutions for you to be successful as understood achievement does not suggest that you have astonishing points comprehending as well as contract even

**whom do you like more level 1 300 words level chinese breeze graded** - Aug 15 2023

web jan 1 2007 buy whom do you like more level 1 300 words level chinese breeze graded reader series 1 by yuehua liu chengzhi chu isbn 9787301141557 from amazon s book store everyday low prices and free delivery on eligible orders

**whom do you like more level 1 300 words level chinese** - Jul 14 2023

web whom do you like more level 1 300 words level chinese breeze graded reader series the story is mostly in simplified chinese characters new words will be introduced with hanyu pinyin and english translation

**download whom do you like more level 1 300 words level** - May 12 2023

web hot book 29 янв 2018 в 6 12 read online whom do you like more level 1 300 words level chinese breeze graded reader series bookonline top download 7301141556 whom do you like more level 1 300 words level chinese breeze graded reader series yuehua liu chengzhi chu pdf free

*whom do you like more level 1 300 words level chi pdf* - Oct 05 2022

web jul 11 2023 whom do you like more level 1 300 words level chi 1 11 downloaded from uniport edu ng on july 11 2023 by guest whom do you like more level 1 300 words level chi thank you entirely much for downloading whom do you like more level 1 300 words level chi most likely you have knowledge that people have see numerous times

**whom do you like more level 1 300 words level amazon** - Dec 27 2021

web whom do you like more level 1 300 words level yuehua liu chengzhi chu amazon sg books

**whom do you like more level 1 300 words level chi copy** - Apr 30 2022

web 2 whom do you like more level 1 300 words level chi 2022 03 03 the boy s own annual westbow press this is the first full length biography of judah leib gordon 1830 92 the most important hebrew poet of the 19th century and one of the pivotal intellectual and cultural figures in russian jewry

whom do you like more level 1 300 words level chi pdf - Jul 02 2022



web yeah reviewing a books whom do you like more level 1 300 words level chi could mount up your close connections listings this is just one of the solutions for you to be successful as understood carrying out does not suggest that you have astonishing

which is correct who do you like best or whom do you like best - Jan 28 2022

web which is correct who do you like best or whom do you like best

*whom do you like more level 1 300 words level alibris* - Dec 07 2022

web buy whom do you like more level 1 300 words level by yuehua liu chengzhi chu online at alibris we have new and used copies available in 0 edition starting at shop now

*chinese breeze graded reader series 2nd edition level 1 300 words* - Feb 09 2023

web this printable chinese writing worksheet cater to the new words used in chinese breeze graded reader series 2nd edition level 1 300 words level whom do you like more isbn 9787301282540 each word is presented with its corresponding pinyin which makes it easier for learners to understand the pronunciation

**whom do you like more level 1 300 words level chi** - Nov 06 2022

web whom do you like more level 1 300 words level chi 1 whom do you like more level 1 300 words level chi dearborn independent correct english the boy s own annual to whom it may concern cambridge advanced learner s dictionary klett version london society conversations in a studio the works of the british dramatists

**whom do you like more level 1 300 words level buy online** - Jan 08 2023

web buy whom do you like more level 1 300 words level online on amazon eg at best prices fast and free shipping free returns cash on delivery available on eligible purchase

*whom do you like more level 1 300 words level chi* - Mar 30 2022

web aug 4 2023 right here we have countless book whom do you like more level 1 300 words level chi and collections to check out we additionally find the money for variant types and also type of the books to

*which sentence is correct who do you like or whom do you like* - Feb 26 2022

web which sentence is correct who do you like or whom do you like quora something went wrong

*whom do you like more level 1 300 words level paperback* - Jun 13 2023

web buy whom do you like more level 1 300 words level by yuehua liu chengzhi chu online on amazon ae at best prices fast and free shipping free returns cash on delivery available on eligible purchase

**whom do you like more level 1 300 words level paperback** - Mar 10 2023

web whom do you like more level 1 300 words level yuehua liu 9787301141557 books amazon ca

*whom do you like more level 1 300 words level chi book* - Sep 04 2022

web times for their chosen novels like this whom do you like more level 1 300 words level chi but end up in harmful downloads rather than reading a good book with a cup of tea in the afternoon instead they are facing with some harmful bugs inside their computer whom do you like more level 1 300 words level chi is available in our digital

**whom do you like more level 1 300 words level chi** - Jun 01 2022

web 1 whom do you like more level 1 300 words level chi as recognized adventure as capably as experience practically lesson amusement as competently as understanding can be gotten by just checking out a books whom do you like more level 1 300 words level chi furthermore it is not directly done you could agree to even more in this area this life

Discover tales of courage and bravery in Explore Bravery with is empowering ebook, **Kenmore Sewing Machine Manual 385** . In a downloadable PDF format ( \*), this collection inspires and motivates. Download now to witness the indomitable spirit of those who dared to be brave.

[https://offsite.creighton.edu/files/virtual-library/Documents/gottman\\_communication\\_worksheets\\_pdf.pdf](https://offsite.creighton.edu/files/virtual-library/Documents/gottman_communication_worksheets_pdf.pdf)

[https://offsite.creighton.edu/files/virtual-library/Documents/gre\\_quantitative\\_topics.pdf](https://offsite.creighton.edu/files/virtual-library/Documents/gre_quantitative_topics.pdf)

[https://offsite.creighton.edu/files/virtual-library/Documents/halloween\\_riddles\\_with\\_answers.pdf](https://offsite.creighton.edu/files/virtual-library/Documents/halloween_riddles_with_answers.pdf)

## **Table of Contents Kenmore Sewing Machine Manual 385**

1. Understanding the eBook Kenmore Sewing Machine Manual 385
  - The Rise of Digital Reading Kenmore Sewing Machine Manual 385
  - Advantages of eBooks Over Traditional Books
2. Identifying Kenmore Sewing Machine Manual 385
  - Exploring Different Genres
  - Considering Fiction vs. Non-Fiction
  - Determining Your Reading Goals
3. Choosing the Right eBook Platform
  - Popular eBook Platforms
  - Features to Look for in an Kenmore Sewing Machine Manual 385
  - User-Friendly Interface
4. Exploring eBook Recommendations from Kenmore Sewing Machine Manual 385
  - Personalized Recommendations
  - Kenmore Sewing Machine Manual 385 User Reviews and Ratings

- Kenmore Sewing Machine Manual 385 and Bestseller Lists
- 5. Accessing Kenmore Sewing Machine Manual 385 Free and Paid eBooks
  - Kenmore Sewing Machine Manual 385 Public Domain eBooks
  - Kenmore Sewing Machine Manual 385 eBook Subscription Services
  - Kenmore Sewing Machine Manual 385 Budget-Friendly Options
- 6. Navigating Kenmore Sewing Machine Manual 385 eBook Formats
  - ePub, PDF, MOBI, and More
  - Kenmore Sewing Machine Manual 385 Compatibility with Devices
  - Kenmore Sewing Machine Manual 385 Enhanced eBook Features
- 7. Enhancing Your Reading Experience
  - Adjustable Fonts and Text Sizes of Kenmore Sewing Machine Manual 385
  - Highlighting and Note-Taking Kenmore Sewing Machine Manual 385
  - Interactive Elements Kenmore Sewing Machine Manual 385
- 8. Staying Engaged with Kenmore Sewing Machine Manual 385
  - Joining Online Reading Communities
  - Participating in Virtual Book Clubs
  - Following Authors and Publishers Kenmore Sewing Machine Manual 385
- 9. Balancing eBooks and Physical Books Kenmore Sewing Machine Manual 385
  - Benefits of a Digital Library
  - Creating a Diverse Reading Collection Kenmore Sewing Machine Manual 385
- 10. Overcoming Reading Challenges
  - Dealing with Digital Eye Strain
  - Minimizing Distractions
  - Managing Screen Time
- 11. Cultivating a Reading Routine Kenmore Sewing Machine Manual 385
  - Setting Reading Goals Kenmore Sewing Machine Manual 385
  - Carving Out Dedicated Reading Time
- 12. Sourcing Reliable Information of Kenmore Sewing Machine Manual 385
  - Fact-Checking eBook Content of Kenmore Sewing Machine Manual 385
  - Distinguishing Credible Sources

13. Promoting Lifelong Learning
  - Utilizing eBooks for Skill Development
  - Exploring Educational eBooks
14. Embracing eBook Trends
  - Integration of Multimedia Elements
  - Interactive and Gamified eBooks

### **Kenmore Sewing Machine Manual 385 Introduction**

Kenmore Sewing Machine Manual 385 Offers over 60,000 free eBooks, including many classics that are in the public domain. Open Library: Provides access to over 1 million free eBooks, including classic literature and contemporary works. Kenmore Sewing Machine Manual 385 Offers a vast collection of books, some of which are available for free as PDF downloads, particularly older books in the public domain. Kenmore Sewing Machine Manual 385 : This website hosts a vast collection of scientific articles, books, and textbooks. While it operates in a legal gray area due to copyright issues, its a popular resource for finding various publications. Internet Archive for Kenmore Sewing Machine Manual 385 : Has an extensive collection of digital content, including books, articles, videos, and more. It has a massive library of free downloadable books. Free-eBooks Kenmore Sewing Machine Manual 385 Offers a diverse range of free eBooks across various genres. Kenmore Sewing Machine Manual 385 Focuses mainly on educational books, textbooks, and business books. It offers free PDF downloads for educational purposes. Kenmore Sewing Machine Manual 385 Provides a large selection of free eBooks in different genres, which are available for download in various formats, including PDF. Finding specific Kenmore Sewing Machine Manual 385, especially related to Kenmore Sewing Machine Manual 385, might be challenging as theyre often artistic creations rather than practical blueprints. However, you can explore the following steps to search for or create your own Online Searches: Look for websites, forums, or blogs dedicated to Kenmore Sewing Machine Manual 385, Sometimes enthusiasts share their designs or concepts in PDF format. Books and Magazines Some Kenmore Sewing Machine Manual 385 books or magazines might include. Look for these in online stores or libraries. Remember that while Kenmore Sewing Machine Manual 385, sharing copyrighted material without permission is not legal. Always ensure youre either creating your own or obtaining them from legitimate sources that allow sharing and downloading. Library Check if your local library offers eBook lending services. Many libraries have digital catalogs where you can borrow Kenmore Sewing Machine Manual 385 eBooks for free, including popular titles. Online Retailers: Websites like Amazon, Google Books, or Apple Books often sell eBooks. Sometimes, authors or publishers offer promotions or free periods for certain books. Authors Website Occasionally, authors provide excerpts or short stories for free on their websites. While this might not be the Kenmore Sewing Machine Manual 385 full

book , it can give you a taste of the authors writing style.Subscription Services Platforms like Kindle Unlimited or Scribd offer subscription-based access to a wide range of Kenmore Sewing Machine Manual 385 eBooks, including some popular titles.

### **FAQs About Kenmore Sewing Machine Manual 385 Books**

How do I know which eBook platform is the best for me? Finding the best eBook platform depends on your reading preferences and device compatibility. Research different platforms, read user reviews, and explore their features before making a choice. Are free eBooks of good quality? Yes, many reputable platforms offer high-quality free eBooks, including classics and public domain works. However, make sure to verify the source to ensure the eBook credibility. Can I read eBooks without an eReader? Absolutely! Most eBook platforms offer web-based readers or mobile apps that allow you to read eBooks on your computer, tablet, or smartphone. How do I avoid digital eye strain while reading eBooks? To prevent digital eye strain, take regular breaks, adjust the font size and background color, and ensure proper lighting while reading eBooks. What the advantage of interactive eBooks? Interactive eBooks incorporate multimedia elements, quizzes, and activities, enhancing the reader engagement and providing a more immersive learning experience. Kenmore Sewing Machine Manual 385 is one of the best book in our library for free trial. We provide copy of Kenmore Sewing Machine Manual 385 in digital format, so the resources that you find are reliable. There are also many Ebooks of related with Kenmore Sewing Machine Manual 385. Where to download Kenmore Sewing Machine Manual 385 online for free? Are you looking for Kenmore Sewing Machine Manual 385 PDF? This is definitely going to save you time and cash in something you should think about.

### **Find Kenmore Sewing Machine Manual 385 :**

**[gottman communication worksheets pdf](#)**

[gre quantitative topics](#)

**[halloween riddles with answers](#)**

[great are you lord keyboard chords](#)

[happy birthday jesus song lyrics](#)

[hallelujah tom waits](#)

[gospel in the old testament](#)

**[good sexual hygiene and spiritual attitude](#)**

**[guess what's on the curators desk](#)**

**government and the economy civics worksheet answer key**

**good moral letter for immigration**

**grammar & composition**

~~goro goro national park~~

**gramatica c ser and estar level 1 pp 253 257**

hardy weinberg formula

**Kenmore Sewing Machine Manual 385 :**