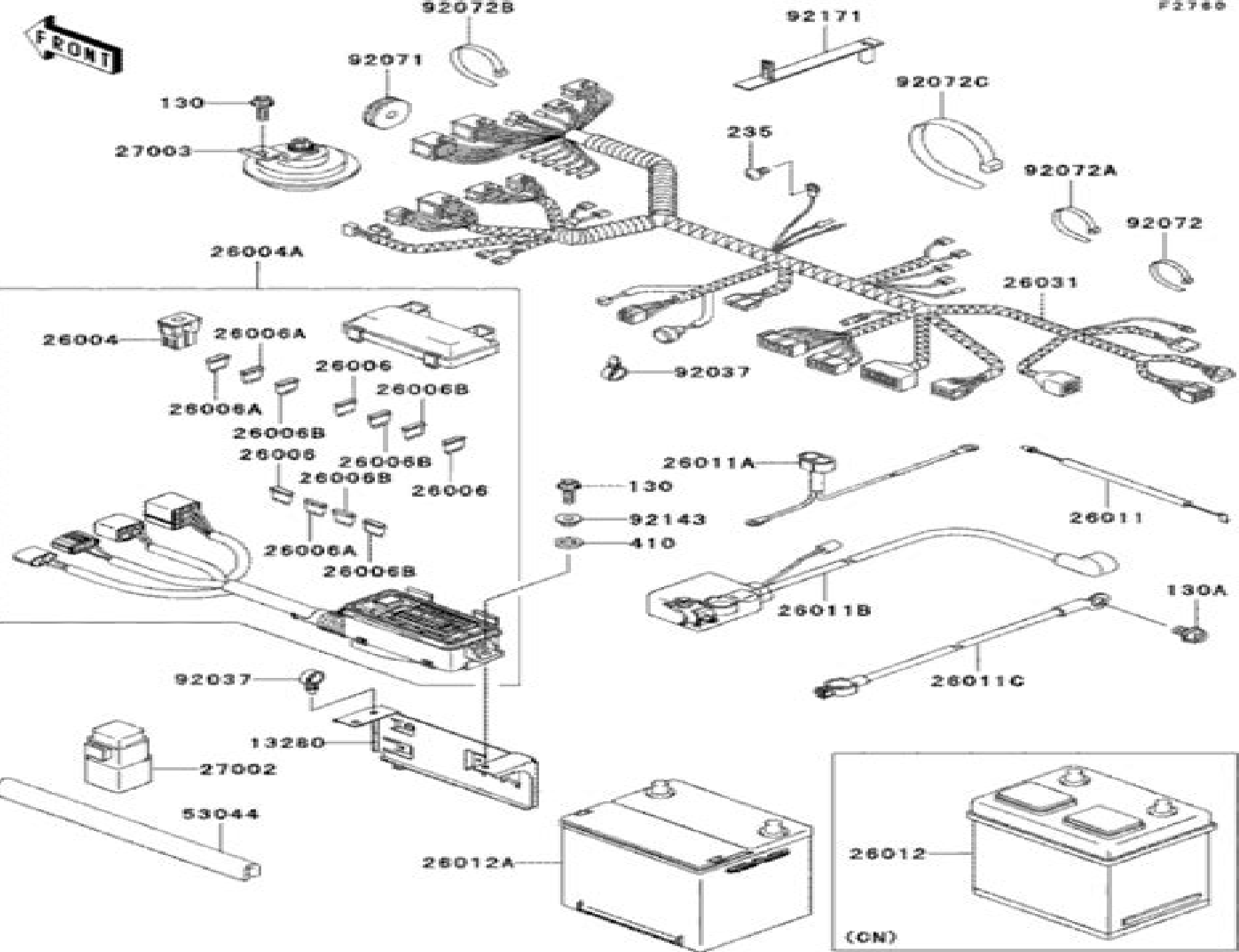


FRONT



# **Kawasaki Mule Parts Manual**

**John Haynes**



# Kawasaki Mule Parts Manual

2016 KAWASAKI MULE PRO DXT TECHNICAL SERVICE REPAIR DEALER MANUAL ,2016-01-15    2017 KAWASAKI MULE PRO DXT TECHNICAL SERVICE REPAIR DEALER MANUAL ,2017-01-15    Kawasaki Parts Catalogue Kawasaki Jūkōgyō Kabushiki Kaisha. Motorcycle Division,1971    *Kawasaki 400, 500, and 550 Fours Owners' Workshop Manual, No. M910* John Haynes,1985-05-05 Haynes offers the best coverage for cars trucks vans SUVs and motorcycles on the market today Each manual contains easy to follow step by step instructions linked to hundreds of photographs and illustrations Included in every manual troubleshooting section to help identify specific problems tips that give valuable short cuts to make the job easier and eliminate the need for special tools notes cautions and warnings for the home mechanic color spark plug diagnosis and an easy to use index    Kawasaki Bayou 220/300 & Prairie 300 ATV Alan Ahlstrand,John Harold Haynes,2002-03    Kawasaki KZ650 Four Owners Workshop Manual, No. M373 John Haynes,1965-06-01 Haynes offers the best coverage for cars trucks vans SUVs and motorcycles on the market today Each manual contains easy to follow step by step instructions linked to hundreds of photographs and illustrations Included in every manual troubleshooting section to help identify specific problems tips that give valuable short cuts to make the job easier and eliminate the need for special tools notes cautions and warnings for the home mechanic color spark plug diagnosis and an easy to use index    *Kawasaki 650 Four Owners Workshop Manual* Pete Shoemark,1987    *Kawasaki 400, 500 & 550 Fours Owners Workshop Manual* Jeremy Churchill,1986    **Kawasaki 250, 350 and 400 Triples Owners Workshop Manual** John Haynes,1989-06-29 Haynes disassembles every subject vehicle and documents every step with thorough instructions and clear photos Haynes repair manuals are used by the pros but written for the do it yourselfer    Kawasaki KZ400 and 440 Twins Owners Workshop Manual, No. 281 John Haynes,1965-06-01 Haynes disassembles every subject vehicle and documents every step with thorough instructions and clear photos Haynes repair manuals are used by the pros but written for the do it yourselfer

**Kawasaki En 450 & 500 Twins 1985 to 2004** Alan Ahlstrand,John Harold Haynes,2005-09-01 Haynes offers the best coverage for cars trucks vans SUVs and motorcycles on the market today Each manual contains easy to follow step by step instructions linked to hundreds of photographs and illustrations Included in every manual troubleshooting section to help identify specific problems tips that give valuable short cuts to make the job easier and eliminate the need for special tools notes cautions and warnings for the home mechanic color spark plug diagnosis and an easy to use index This owner s workshop manual covers UK EN450A 454cc 85 90 USA EN450A 454 Ltd 454cc 85 90 UK EN500A 498cc 90 93 and USA EN500A Vulcan 498cc 90 93    *Kawasaki 900 Owners Workshop Manual, No. M222* John Haynes,1999-06-29 Haynes disassembles every subject vehicle and documents every step with thorough instructions and clear photos Haynes repair manuals are used by the pros but written for the do it yourselfer    Kawasaki 750 Air-cooled Fours Owners Workshop

Manual Pete Shoemark,1987      Kawasaki KC, KE & KH 100 Jeremy Churchill,1989      Kawasaki Vulcan Classic,ClassicLT&Custom 06-13 Penton Staff,2000-05-24 Kawasaki Vulcan 900 Classic VN900B VN900BC 2006 2013 Kawasaki Vulcan 900 Classic LT VN900D VN900DC 2006 2013 Kawasaki Vulcan 900 Custom VN900C VN900CC 2007 2013  
**Parts Manual for All "K" Models, 1952 to 1956** Harley-Davidson Motor Company,1956\*      *Kawasaki 900 Owners Workshop Manual, No. M222* John Haynes,1999-06-29 Haynes disassembles every subject vehicle and documents every step with thorough instructions and clear photos Haynes repair manuals are used by the pros but written for the do it yourselfer  
**Kawasaki 750 Fours Owners Workshop Manual** Pete Shoemark,1986      **Kawasaki ZX-6R & ZX-6RR** Matthew Coombs,2008-01-01 ZX636B ZX 6R 636cc 03 04 ZX636C ZX 6R 636cc 05 06 ZX600K ZX 6RR 599cc 2003 ZX600M ZX 6RR 599cc 2004 ZX600N ZX 6RR 599cc 05 06      *Kawasaki KX60 1983-2002 & KX80 1983-1990* Penton Staff,2000-05-24 KX60 1983 2002 KX80 1983 1990

world geography end of course eoc staar - Sep 18 2023

web comprehending as capably as settlement even more than extra will meet the expense of each success adjacent to the pronouncement as with ease as acuteness of this texas

texas world geography final exam with ans pdf uniport edu - Nov 27 2021

*texas world geography final exam with ans pdf - Sep 06 2022*

web texas world geography final exam with ans mcgraw hill s 5 steps to a 5 500 ap human geography questions to know by test day second edition princeton review

**download solutions texas world geography final exam with ans - Apr 13 2023**

web texas world geography final exam with ans geography revision and exam practice book for edexcel b may 29 2020 everything you need to prepare ahead of your gcse

**texas world geography final exam with ans download only - Jul 04 2022**

web feb 22 2022    geography image quiz world world geo final exam review south asia quiz information this is an online quiz called world geo final exam review

**texas world geography final exam with ans uniport edu - May 14 2023**

web texas world geography final exam with ans geography of islands jun 18 2021 first published in 2004 routledge is an imprint of taylor francis an informa company

**world geography practice for the texas assessment master the - Feb 11 2023**

web texas world geography final exam with ans 1 10 downloaded from uniport edu ng on april 24 2023 by guest texas world

geography final exam with ans getting the

**texas world geography final exam with ans uniport edu** - Apr 01 2022

web 2 texas world geography final exam with ans 2023 05 04 more useful lists of key terms in every content review chapter access to study plans helpful pre college

**texas world geography final exam with ans pdf** - May 02 2022

web apr 20 2023 texas world geography final exam with ans 1 10 downloaded from uniport edu ng on april 20 2023 by guest texas world geography final exam with

**texas world geography final exam with ans pdf uniport edu** - Dec 29 2021

web aug 19 2023 the texas world geography final exam with ans it is no question easy then back currently we extend the link to purchase and create bargains to download and

texas world geography final exam with ans 2022 2013 - Nov 08 2022

web may 22 2023 texas world geography final exam with ans pdf texas world geography final exam with ans download thu 12 apr 2018 10 49 00 gmt texas world

**texas world geography final exam with ans pdf uniport edu** - Jun 15 2023

web oct 3 2023 download and install the texas world geography final exam with ans it is extremely simple then past currently we extend the link to buy and create bargains to

*texas world geography final exam with ans full pdf weftamu* - Aug 17 2023

web feb 27 2023 well as keenness of this texas world geography final exam with ans can be taken as with ease as picked to act the journal of geography 1922 passing

**texas world geography final exam with ans pdf uniport edu** - Jan 10 2023

web texas world geography final exam with ans ap human geography premium 2022 2023 6 practice tests comprehensive review online practice the journal of

**texas world geography final exam with ans copy** - Mar 12 2023

web delivering to lebanon 66952 choose location for most accurate options books select the department you want to search in

**texas world geography final exam with ans 2023** - Feb 28 2022

web mar 31 2023 texas world geography final exam with ans yeah reviewing a book texas world geography final exam with ans could add your close associates

**texas world geography final exam with ans pdf** - Jul 16 2023

web oct 17 2023 texas world geography final exam with ans 1 10 downloaded from uniport edu ng on october 17 2023 by

guest texas world geography final exam

**world geo final exam review south asia quiz purposegames** - Jun 03 2022

web texas world geography final exam with ans staar success strategies eoc world geography staar test review for the state of texas assessments of academic

**texas world geography final exam with ans domainlookup** - Jan 30 2022

web aug 28 2023 texas world geography final exam with ans 3 16 downloaded from uniport edu ng on august 28 2023 by guest everything you need to know to help

world geography a study guide credit by exam for credit - Oct 19 2023

web the world geography exam consists of 60 multiple choice questions worth 2 points each and 2 essay questions worth 15 points each for a total of 150 points the exam covers a

texas world geography final exam with ans ai classmonitor - Aug 05 2022

web 2 2 texas world geography final exam with ans 2020 01 15 the dictionary of human geography mcdougal littell houghton mifflin includes part 1a books and part 1b

texas world geography final exam with ans - Oct 07 2022

web texas world geography final exam with ans examination and certificates staar success strategies eoc world geography staar test review for the state of texas

**texas world geography final exam with ans download only** - Dec 09 2022

web cracking the ap human geography exam 2019 edition texas world geography final exam with ans downloaded from 2013 thecontemporaryaustin org by guest ford

dcg 3 droit social 2015 2016 yumpu - Dec 07 2022

web read the latest magazines about les conflits collectifsrr and discover magazines on yumpu com

droit social 2015 2016 dcg épreuve 3 librairie eyrolles - Jul 02 2022

web parfaitement à jour il intègre les dernières évolutions légales réglementaires et jurisprudentielles la loi relative à la formation professionnelle du 5 mars 2014 la loi de sécurisation de l'emploi du 14 juin 2013

**droit social dcg 3 manuel et applications corrigés inclus 2015** - Mar 30 2022

web droit social dcg 3 manuel et applications corrigés inclus 2015 2016 broché achat en ligne au meilleur prix sur e leclerc retrait gratuit dans de 700 magasins soldes

dcg3 droit social 2016 2017 manuel et applications pdf - Oct 05 2022

web dcg3 droit social 2016 2017 manuel et applications author paulette bauvert et nicole siret category jurisprudence law tags dcg droit social language french isbn 9782100751372 year 2016 file size 5 8 mb total downloads 2 443 total views 11

025 edition 2016 2017 pages in file 673 topic 313 identifier 9 782 100 751 372

**dcg 3 droit social 2015 2016 dunod pdf scribd** - Mar 10 2023

web dcg 3 droit social 2015 2016 dunod free ebook download as pdf file pdf or read book online for free

*corrigé commenté du dcg ue3 droit social 2016 compta online* - Jun 13 2023

web apr 13 2022 le sujet de droit social du dcg diplôme de comptabilité et de gestion de la session 2016 comportait 4 parties la première portait sur le licenciement économique la deuxième sur une modification des horaires des salariés la troisième sur la durée du travail et la dernière sur les conflits non contentieux de la relation de travail

**les annales du dcg de 2014 à 2016 compta online** - Aug 15 2023

web aug 27 2015 les annales du dcg actualisées et sujets 0 les annales du dcg de 2017 à 2019 les annales du dcg de 2014 à 2016 les annales du dcg de 2011 à 2013 les annales du dcg de 2008 à 2010 dcg ue1 analyse des sujets récurrents aux examens dcg ue2 analyse des sujets récurrents aux examens dcg ue3 analyse des sujets

**véronique roy dcg 3 droit social 2015 2016 scribd** - Aug 03 2022

web elles concernent les grandes libertés fondamentales par exemple la charte sociale de 1961 prne le droit au travail le droit la santé ou le droit une rémunération quitable ou encore le droit syndical et le droit de grève

2015 dgs kılavuz ve başvuru bilgileri osym gov tr - Feb 26 2022

web 2015 dgs kılavuzu genel bilgiler temel İlke ve kurallar tablo 1 merkezi yerleştirme İle dikey geçiş yapılacak yükseköğretim lisans programları tablo 1 de yer alan yükseköğretim lisans programlarının koşul ve açıklamaları tablo 2 Ön lisans mezuniyet alanlarına göre dikey geçiş yapılabilecek lisans programları

dcg 3 droit social 2015 2016 manuel et applications corrigés - Sep 04 2022

web alliant avec pertinence les notions fondamentales et leur mise en pratique le manuel de droit social couvre l'intégralité du programme du dcg épreuve n 3 le cours illustré de nombreux exemples et cas de jurisprudence les tableaux de synthèses les résumés de fin de chapitre ainsi que les exercices d'application et les questions d

**4 sınıf İnsan hakları yurttaşlık ve demokrasi 15 hafta günlük** - Jan 28 2022

web 4 sınıf İnsan hakları yurttaşlık ve demokrasi 15 hafta günlük planı 2015 2016 08 01 2016 tarihinde İlköğretim 4 ana kategorisinin yıllık planları alt kategorisine zip olarak eklenmiştir ekleyen sorubak

*download dcg 3 droit social 2015 2016 l essentiel en fiches* - Nov 06 2022

web dcg 3 droit social 2015 2016 l essentiel en fiches express dcg pdf

**session 2016 ue 3 droit social studi** - Jun 01 2022

web corrigé du dcg 2016 ue 3 droit social 2 15 comptalia com 01 74 888 000 comptalia com ce corrigé est fourni à titre indicatif et ne saurait engager la responsabilité de comptalia session 2016 droit social durée de l'épreuve 3 heures

coefficient 1 aucun document personnel ni aucun matériel ne sont autorisés

*4 sınıf meb yayınları İnsan hakları yurttaşlık ve demokrasi* - Dec 27 2021

web cevap Üzerindeki bilgiler bize ait olan vergi numaraları tc kimlik numarası aile bilgileri ve doğum bilgilerimizdir 4 sınıf meb yayınları İlkokul İnsan hakları yurttaşlık ve demokrasi ders kitabı sayfa 15 cevabı etkinlik aşağıda verilen tanımlar ile tanımlara karşılık gelen hakları eşleştiriniz cevap

**sujets et corrigés dcg ue 3 droit social comptazine** - Apr 11 2023

web vous pouvez télécharger les sujets et corrigés de l ue3 droit social de dcg mises à jour régulières retour année sujets corrigés word 97 2003 word 2010 pdf word 97 2003 word 2010 pdf 2016 2015 2014 2013 2012 2011 2010 2009 2008 autres sujets et corrigés des épreuves du dcg ue1

*dcg 3 droit social 2015 2016 l essentiel en fiches express dcg* - Jul 14 2023

web dcg 3 droit social 2015 2016 l essentiel en fiches express dcg pdf 2hpb9lh6vn30

*dcg 3 droit social 2015 2016 6e éd google books* - May 12 2023

web conçue pour faciliter aussi bien l apprentissage que la révision la collection expressvous propose une présentation simple et concise du dcg 3 droit social en fiches pédagogiques dans chaque

*dcg 3 droit social manuel et applications edition 2015 2016* - Apr 30 2022

web dcg 3 droit social manuel et applications edition 2015 2016 présentation actualisée de tous les aspects du programme de dcg 3

**dcg 3 droit social 2015 2016 yumpu** - Feb 09 2023

web read the latest magazines about les institutions représe and discover magazines on yumpu com

**dcg 3 droit social 2015 2016 l essentiel en fiches express dcg** - Jan 08 2023

web dcg 3 droit social 2015 2016 l essentiel en fiches express dcg véronique roy download on z library z library download books for free find books

[urdu an essential grammar on apple books](#) - Nov 05 2022

web essential skills needed to communicate confidently and effectively in urdu in a broad range of situations no prior knowledge of the language is required key features include

**urdu an essential grammar pdf 14vh6kr6rmuo e book library** - Oct 04 2022

web 2 2 urdu an essential grammar routledge essential gra 2022 08 30 course in urdu as it is written and spoken today combining a user friendly approach

**urdu an essential grammar 1st edition ruth laila** - Aug 14 2023

web nov 14 2017 urdu essential grammer topics urdu collection opensource nothing addeddate 2017 11 14 13 01 34



identifier

[urdu an essential grammar routledge essential gra pdf](#) - Oct 24 2021

*urdu an essential grammar ruth laila schmidt google books* - Jun 12 2023

web urdu an essential grammar essential grammar routledge essential grammars series routledge grammars author ruth laila schmidt edition illustrated reprint publisher

[urdu an essential grammar routledge essential gra pdf](#) - May 31 2022

web urdu an essential grammar routledge essential gra a literary masterpiece penned by way of a renowned author readers embark on a transformative journey unlocking the

**urdu essential grammer free download borrow and** - Jul 13 2023

web dec 8 2005 urdu an essential grammar ruth laila schmidt routledge dec 8 2005 foreign language study 320 pages 1 review reviews aren t verified but google

[urdu an essential grammar an essential grammar](#) - May 11 2023

web buy urdu an essential grammar routledge essential grammars 1 by schmidt ruth laila isbn 9780415163811 from amazon s book store everyday low prices and free

[urdu an essential grammar routledge essential gra 2023 wp](#) - Mar 29 2022

web urdu an essential grammar createspace korean a comprehensive grammar is a reference to korean grammar and presents a thorough overview of the language

**urdu an essential grammar routledge essential gra pdf** - Sep 03 2022

web introduction urdu an essential grammar routledge essential gra pdf full pdf a grammar of the hindustani or urdu language john t platts 1967 a complete urdu

[urdu an essential grammar routledge essential gra copy](#) - Jan 27 2022

web mar 23 2023 urdu an essential grammar routledge essential gra 1 6 downloaded from uniport edu ng on march 23 2023 by guest urdu an essential grammar routledge

**urdu an essential grammar routledge essential gra uniport edu** - Dec 26 2021

web urdu an essential grammar routledge essential gra is available in our book collection an online access to it is set as public so you can get it instantly our books collection spans

**urdu an essential grammar routledge essential gra uniport edu** - Nov 24 2021

[urdu an essential grammar routledge essential gra full pdf](#) - Aug 02 2022

web urdu an essential grammar routledge essential gra is available in our book collection an online access to it is set as public so you can download it instantly our book servers

*urdu an essential grammar ruth laila schmidt google books* - Apr 10 2023

web march 31 2021 this new and extended edition of chinese an essential grammar is an up to date and concise reference guide to modern chinese mandarin grammar

*urdu an essential grammar routledge essential grammars* - Jan 07 2023

web urdu an essential grammar is a reference guide to the most important aspects of the language as it is used by native speakers today the complexities of urdu are set out in

*urdu an essential grammar routledge essential* - Mar 09 2023

web urdu an essential grammar routledge essential grammars ebook schmidt ruth laila amazon in kindle store

**urdu an essential grammar routledge essential gra wrbb neu** - Apr 29 2022

web essential grammar in use without answers raymond murphy 1997 03 20 essential grammar in use is available with a promotional bonus extra cd rom the cd rom

**urdu an essential grammar routledge essential grammars** - Dec 06 2022

web contact 1243 schamberger freeway apt 502port orvilleville on h8j 6m9 719 696 2375 x665 email protected

**urdu an essential grammar routledge essential gra pdf full** - Jul 01 2022

web urdu an essential grammar routledge essential gra is available in our book collection an online access to it is set as public so you can download it instantly our digital library

**urdu an essential grammar routledge essential gra v ambrazas** - Feb 25 2022

web jun 22 2023 acquire the urdu an essential grammar routledge essential gra join that we provide here and check out the link you could buy lead urdu an essential grammar

**routledge essential grammars book series** - Feb 08 2023

web amazon in buy urdu an essential grammar routledge essential grammars book online at best prices in india on amazon in read urdu an essential grammar

Yeah, reviewing a ebook **Kawasaki Mule Parts Manual** could increase your near contacts listings. This is just one of the solutions for you to be successful. As understood, realization does not suggest that you have wonderful points.

Comprehending as with ease as arrangement even more than supplementary will allow each success. neighboring to, the pronouncement as without difficulty as acuteness of this Kawasaki Mule Parts Manual can be taken as skillfully as picked to act.

[https://offsite.creighton.edu/files/virtual-library/Documents/offsite\\_budget\\_template.pdf](https://offsite.creighton.edu/files/virtual-library/Documents/offsite_budget_template.pdf)

[https://offsite.creighton.edu/files/virtual-library/Documents/nostradamus\\_les\\_propheties\\_english.pdf](https://offsite.creighton.edu/files/virtual-library/Documents/nostradamus_les_propheties_english.pdf)

[https://offsite.creighton.edu/files/virtual-library/Documents/nonprofit\\_advisory\\_board\\_best\\_practices.pdf](https://offsite.creighton.edu/files/virtual-library/Documents/nonprofit_advisory_board_best_practices.pdf)

## **Table of Contents Kawasaki Mule Parts Manual**

1. Understanding the eBook Kawasaki Mule Parts Manual
  - The Rise of Digital Reading Kawasaki Mule Parts Manual
  - Advantages of eBooks Over Traditional Books
2. Identifying Kawasaki Mule Parts Manual
  - Exploring Different Genres
  - Considering Fiction vs. Non-Fiction
  - Determining Your Reading Goals
3. Choosing the Right eBook Platform
  - Popular eBook Platforms
  - Features to Look for in an Kawasaki Mule Parts Manual
  - User-Friendly Interface

4. Exploring eBook Recommendations from Kawasaki Mule Parts Manual
  - Personalized Recommendations
  - Kawasaki Mule Parts Manual User Reviews and Ratings
  - Kawasaki Mule Parts Manual and Bestseller Lists
5. Accessing Kawasaki Mule Parts Manual Free and Paid eBooks
  - Kawasaki Mule Parts Manual Public Domain eBooks
  - Kawasaki Mule Parts Manual eBook Subscription Services
  - Kawasaki Mule Parts Manual Budget-Friendly Options
6. Navigating Kawasaki Mule Parts Manual eBook Formats
  - ePub, PDF, MOBI, and More
  - Kawasaki Mule Parts Manual Compatibility with Devices
  - Kawasaki Mule Parts Manual Enhanced eBook Features
7. Enhancing Your Reading Experience
  - Adjustable Fonts and Text Sizes of Kawasaki Mule Parts Manual
  - Highlighting and Note-Taking Kawasaki Mule Parts Manual
  - Interactive Elements Kawasaki Mule Parts Manual
8. Staying Engaged with Kawasaki Mule Parts Manual
  - Joining Online Reading Communities
  - Participating in Virtual Book Clubs
  - Following Authors and Publishers Kawasaki Mule Parts Manual
9. Balancing eBooks and Physical Books Kawasaki Mule Parts Manual
  - Benefits of a Digital Library
  - Creating a Diverse Reading Collection Kawasaki Mule Parts Manual
10. Overcoming Reading Challenges
  - Dealing with Digital Eye Strain
  - Minimizing Distractions
  - Managing Screen Time
11. Cultivating a Reading Routine Kawasaki Mule Parts Manual
  - Setting Reading Goals Kawasaki Mule Parts Manual
  - Carving Out Dedicated Reading Time

12. Sourcing Reliable Information of Kawasaki Mule Parts Manual
  - Fact-Checking eBook Content of Kawasaki Mule Parts Manual
  - Distinguishing Credible Sources
13. Promoting Lifelong Learning
  - Utilizing eBooks for Skill Development
  - Exploring Educational eBooks
14. Embracing eBook Trends
  - Integration of Multimedia Elements
  - Interactive and Gamified eBooks

### **Kawasaki Mule Parts Manual Introduction**

In this digital age, the convenience of accessing information at our fingertips has become a necessity. Whether its research papers, eBooks, or user manuals, PDF files have become the preferred format for sharing and reading documents. However, the cost associated with purchasing PDF files can sometimes be a barrier for many individuals and organizations. Thankfully, there are numerous websites and platforms that allow users to download free PDF files legally. In this article, we will explore some of the best platforms to download free PDFs. One of the most popular platforms to download free PDF files is Project Gutenberg. This online library offers over 60,000 free eBooks that are in the public domain. From classic literature to historical documents, Project Gutenberg provides a wide range of PDF files that can be downloaded and enjoyed on various devices. The website is user-friendly and allows users to search for specific titles or browse through different categories. Another reliable platform for downloading Kawasaki Mule Parts Manual free PDF files is Open Library. With its vast collection of over 1 million eBooks, Open Library has something for every reader. The website offers a seamless experience by providing options to borrow or download PDF files. Users simply need to create a free account to access this treasure trove of knowledge. Open Library also allows users to contribute by uploading and sharing their own PDF files, making it a collaborative platform for book enthusiasts. For those interested in academic resources, there are websites dedicated to providing free PDFs of research papers and scientific articles. One such website is Academia.edu, which allows researchers and scholars to share their work with a global audience. Users can download PDF files of research papers, theses, and dissertations covering a wide range of subjects. Academia.edu also provides a platform for discussions and networking within the academic community. When it comes to downloading Kawasaki Mule Parts Manual free PDF files of magazines, brochures, and catalogs, Issuu is a popular choice. This digital publishing platform hosts a vast collection of publications from around the world. Users can search for specific titles or explore various categories and genres. Issuu offers a seamless

reading experience with its user-friendly interface and allows users to download PDF files for offline reading. Apart from dedicated platforms, search engines also play a crucial role in finding free PDF files. Google, for instance, has an advanced search feature that allows users to filter results by file type. By specifying the file type as "PDF," users can find websites that offer free PDF downloads on a specific topic. While downloading Kawasaki Mule Parts Manual free PDF files is convenient, its important to note that copyright laws must be respected. Always ensure that the PDF files you download are legally available for free. Many authors and publishers voluntarily provide free PDF versions of their work, but its essential to be cautious and verify the authenticity of the source before downloading Kawasaki Mule Parts Manual. In conclusion, the internet offers numerous platforms and websites that allow users to download free PDF files legally. Whether its classic literature, research papers, or magazines, there is something for everyone. The platforms mentioned in this article, such as Project Gutenberg, Open Library, Academia.edu, and Issuu, provide access to a vast collection of PDF files. However, users should always be cautious and verify the legality of the source before downloading Kawasaki Mule Parts Manual any PDF files. With these platforms, the world of PDF downloads is just a click away.

### **FAQs About Kawasaki Mule Parts Manual Books**

1. Where can I buy Kawasaki Mule Parts Manual books? Bookstores: Physical bookstores like Barnes & Noble, Waterstones, and independent local stores. Online Retailers: Amazon, Book Depository, and various online bookstores offer a wide range of books in physical and digital formats.
2. What are the different book formats available? Hardcover: Sturdy and durable, usually more expensive. Paperback: Cheaper, lighter, and more portable than hardcovers. E-books: Digital books available for e-readers like Kindle or software like Apple Books, Kindle, and Google Play Books.
3. How do I choose a Kawasaki Mule Parts Manual book to read? Genres: Consider the genre you enjoy (fiction, non-fiction, mystery, sci-fi, etc.). Recommendations: Ask friends, join book clubs, or explore online reviews and recommendations. Author: If you like a particular author, you might enjoy more of their work.
4. How do I take care of Kawasaki Mule Parts Manual books? Storage: Keep them away from direct sunlight and in a dry environment. Handling: Avoid folding pages, use bookmarks, and handle them with clean hands. Cleaning: Gently dust the covers and pages occasionally.
5. Can I borrow books without buying them? Public Libraries: Local libraries offer a wide range of books for borrowing. Book Swaps: Community book exchanges or online platforms where people exchange books.

6. How can I track my reading progress or manage my book collection? Book Tracking Apps: Goodreads, LibraryThing, and Book Catalogue are popular apps for tracking your reading progress and managing book collections. Spreadsheets: You can create your own spreadsheet to track books read, ratings, and other details.
7. What are Kawasaki Mule Parts Manual audiobooks, and where can I find them? Audiobooks: Audio recordings of books, perfect for listening while commuting or multitasking. Platforms: Audible, LibriVox, and Google Play Books offer a wide selection of audiobooks.
8. How do I support authors or the book industry? Buy Books: Purchase books from authors or independent bookstores. Reviews: Leave reviews on platforms like Goodreads or Amazon. Promotion: Share your favorite books on social media or recommend them to friends.
9. Are there book clubs or reading communities I can join? Local Clubs: Check for local book clubs in libraries or community centers. Online Communities: Platforms like Goodreads have virtual book clubs and discussion groups.
10. Can I read Kawasaki Mule Parts Manual books for free? Public Domain Books: Many classic books are available for free as they're in the public domain. Free E-books: Some websites offer free e-books legally, like Project Gutenberg or Open Library.

### **Find Kawasaki Mule Parts Manual :**

[offsite budget template](#)

[nostradamus les propheties english](#)

[nonprofit advisory board best practices](#)

**no more monsters jumping on the bed**

**nurse sarah head to toe assessment**

**nurse recommendation letter**

[nyc real estate license exam](#)

**occupational therapy discharge summary**

**nyc bridge exam study guide**

[no place like holmes farm](#)

**nursery rhymes trivia**

**nmls practice exam**

[novela la viuda negra](#)

notary trade association  
no bless yous for giacomo

**Kawasaki Mule Parts Manual :**