

GENERAL DESCRIPTION

Engines with type designations D1 and MD1 are one-cylinder, four-stroke Diesel engines with overhead valves. The total capacity is 445 c. c.

Engines with type designation D2 and MD2 are two-cylinder, four-stroke Diesel engines with overhead valves. The total capacity is 890 c. c.

MD1 and MD2 are marine Diesel engines. D1 and D2 are industrial Diesel engines. The combustion chambers in the engines are designed for direct fuel injection, this resulting in low fuel consumption, smooth running and immediate starting.

The engines are fitted with a manual or electric starter. A decompression device on the rocker arm cover facilitates starting.

The marine engines are sea-water cooled and the industrial engines are fitted with a cellular type radiator. A thermostat maintains the operating temperature of the engine automatically within the correct values.

The fuel system includes a filter with a replaceable element and is thus well protected from running interruptions. D2 and MD2 units are fitted with a feed pump.

Engine lubrication is through a pressure system where an oil pump supplies lubricating oil to all the points in the correct quantities at different speeds. The D2 and MD2 are fitted with a full flow oil filter. The big-end bearing shells are replaceable and are accessible through the oil sump crankcase covers. Major repair work can also be carried out through these covers.

The engines have closed circuit crankcase breathing and this prevents crankcase gases from getting out into the engine compartment. This device consists of a filter with connections and an oil trap located in the space above the valve tappets. Crankcase gases are then sucked directly into the engine induction manifold and into the cylinders.

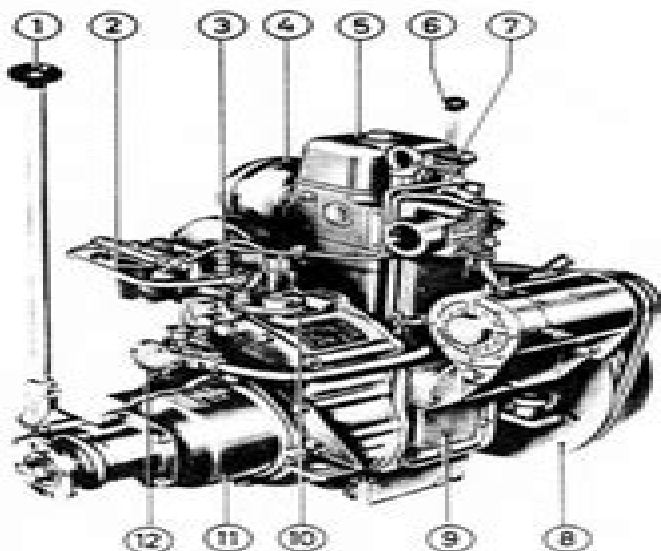


Fig 1. MD1 engine

- | | |
|------------------------|-----------------------------|
| 1 Control lever | 7 Injector |
| 2 Fuel filter | 8 Flywheel |
| 3 Fuel injection pump | 9 Crankcase cover |
| 4 Air cleaner | 10 Control arm |
| 5 Rocker arm cover | 11 Reduction - reverse gear |
| 6 Decompression device | 12 Sea-water pump |

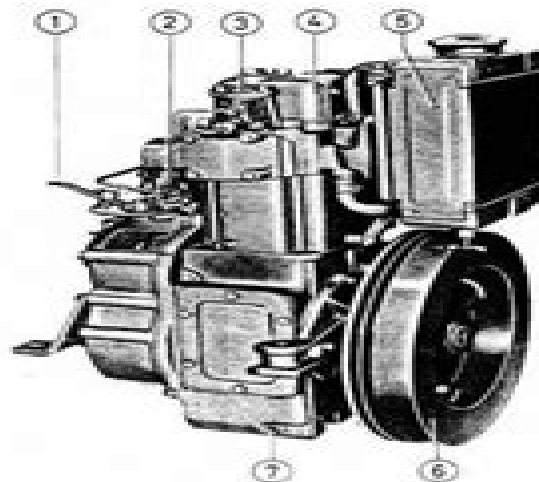


Fig 2. D1 engine

- | | |
|-----------------------|------------|
| 1 Control arm | 5 Radiator |
| 2 Fuel injection pump | 6 Flywheel |
| 3 Injector | 7 Oil plug |
| 4 Rocker arm cover | |

Volvo Penta Md2 Diesel Engine Manuals

Anthony S. Fauci



Volvo Penta Md2 Diesel Engine Manuals

Operating Manual for Volvo Penta Marine Diesel Engines MD 47, MD 67, MD 96, TMD 96 Volvo Penta (Firm). Technical Information Department,1962 *Volvo Penta Service and Overhaul Manual* A. T. Burgess,1994 **VOLVO PENTA MD5A MARINE DIESEL ENGINE** Albin,2014-03-01 VOLVO Penta Workshop Manual ,1986 **VOLVO Penta Workshop Manual** ,1984 VOLVO PENTA MD2010, MD2020, MD2030, MD2040 Volvo Penta,2014-03-02 Volvo Penta Service & Overhaul Manual Alan T. Burgess,1976 *VOLVO PENTA MD 11C, C, MD 17C, D* Volvo Penta,2014-03-01 Volvo Penta MD2010, MD2020, MD2030, MD2040 N N,2012-05 Workshop Manual for Volvo Penta Marine Engines MD2010 MD2020 MD2030 MD2040 **Volvo Penta Stern Drive Shop Manual 2001-2004** Penton Staff,2000-05-24 30GS 3 0L in line 4 cylinder 135 HP 43GL 4 3L V 6 160 HP 43GI 4 3L V 6 180 HP 43GXI 4 3L V 6 210 HP 50GL 5 0L V 8 220 HP 50GI 5 0L V 8 250 HP 50GXI 5 0L V 8 270 HP 57GS 5 7L V 8 225 HP 57GS 5 7L V 8 250 HP 57GSI 5 7L V 8 280 H **BMC (Leyland) 1.5 + 1.8 Litre Diesel Engines Operation and Repair Manuals** Bmc,2010 This book contains the operator s handbooks as well as the complete repair operation manuals for these still very popular marine and stationary engines **Volvo Penta** (Seloc) Seloc,2008 This manual covers the topics that a factory service manual designed for factory trained mechanics and a manufacturer owner s manual designed more by lawyers than boat owners these days covers It will take you through the basics of maintaining and repairing your motor step by step to help you understand what the factory trained mechanics already know by heart Page 1 2 **VOLVO PENTA MD 5** Volvo Penta,2015-04-13 Seloc's Volvo Penta Stern Drive Joan Coles,Clarence W. Coles,1998-03 SELOC Marine maintenance and repair manuals offer the most comprehensive authoritative information available for outboard inboard stern drive and diesel engines as well as personal watercraft SELOC has been the leading source of how to information for the marine industry since 1974 Designed and written to serve the needs of the professional mechanic do it yourself boat enthusiast instructor and student these manuals are based on actual teardowns done by Chilton Marine s editors authors in our on site facility Providing complete coverage on everything from basic maintenance to engine overhaul every manual features Simple to follow step by step illustrated procedures Hundreds of exploded drawings photographs and tables Troubleshooting sections accurate specifications and wiring diagrams Recognized and used by technical trade schools as well as the U S military Covers all Single SP and Duo Prop DP models powered by Ford GM or Volvo 4 cylinder V6 and V8 engines Over 1 375 illustrations **Volvo-Penta Stern Drives, 1992-93** Joan Coles,Clarence W. Coles,1998-03 SELOC Marine maintenance and repair manuals offer the most comprehensive authoritative information available for outboard inboard stern drive and diesel engines as well as personal watercraft SELOC has been the leading source of how to information for the marine industry since 1974 Designed and written to serve the needs of the professional mechanic do it yourself boat enthusiast instructor and student these manuals

are based on actual teardowns done by Chilton Marine's editors/authors in our on-site facility. Providing complete coverage on everything from basic maintenance to engine overhaul every manual features simple to follow step-by-step illustrated procedures. Hundreds of exploded drawings, photographs, and tables. Troubleshooting sections, accurate specifications, and wiring diagrams. Recognized and used by technical trade schools as well as the U.S. military. Covers all Single SP and Duo Prop DP models powered by Volvo 4-cylinder engines. Over 750 illustrations. *Volvo Penta MD 11C, C, MD 17C, D N*, 2012-05. Reprint of the official Instruction Book about VOLVO PENTA Marine Engines Type MD 11C, C, MD 17C and D

Service Manual for Volvo-Penta Diesel Engines Volvo Penta (Firm). Technical Publications Department, 1960*
Service manual for automotive version of D67C engine fitted in L485 truck. *Installation Handbook* Volvo Penta (Firm), 1969*
Seloc's Volvo Penta Stern Drive: 1992-1995, includes "SX" Cobra Joan Coles, Clarence W. Coles, 1998-03
SELOC Marine maintenance and repair manuals offer the most comprehensive authoritative information available for outboard, inboard, stern drive, and diesel engines, as well as personal watercraft. SELOC has been the leading source of how-to information for the marine industry since 1974. Designed and written to serve the needs of the professional mechanic, do-it-yourself boat enthusiast, instructor, and student, these manuals are based on actual teardowns done by Chilton Marine's editors/authors in our on-site facility. Providing complete coverage on everything from basic maintenance to engine overhaul every manual features simple to follow step-by-step illustrated procedures. Hundreds of exploded drawings, photographs, and tables. Troubleshooting sections, accurate specifications, and wiring diagrams. Recognized and used by technical trade schools as well as the U.S. military. Covers all Single SP, SX, Duo Prop, DP, DPX models powered by Ford and GM 4-cylinder, V6, and V8 engines. Includes carbureted and fuel-injected engines. [Workshop Manual](#) Volvo Penta (Firm), 1970

genndy tartakovsky's top 10 projects ranked according to imdb - Aug 22 2023

web published jun 30 2020 genndy tartakovsky is rightfully considered to be a master of modern animation. These are what imdb users think are his best hits so far, although he's known mostly for his work on animated features. Gennady Tartakovsky is also a prolific writer, designer, and producer.

genndy tartakovsky's movies and tv shows ranked collider - Apr 18 2023

web sep 10 2021 animation legend genndy tartakovsky has created some truly stellar works over the years, including *Samurai Jack* and *Star Wars: Clone Wars*.

[genndy tartakovsky from russia to coming of age animator legends](#) - Sep 11 2022

web jan 30 2012 amazon.com genndy tartakovsky from russia to coming of age animator legends of animation 9781604138429 jeff lenburg books

[5 ways primal creator genndy tartakovsky revolutionized animated action](#) - Dec 14 2022

web oct 4 2019 5 ways primal creator genndy tartakovsky revolutionized animated action as the samurai jack creator returns with primal we look at his greatest hits and how his new show honors that tradition

genndy tartakovsky from russia to coming of age animator legends - Nov 13 2022

web genndy tartakovsky from russia to coming of age animator legends of animation as it s meant to be heard narrated by amanda thorp discover the english audiobook at audible free trial available

genndy tartakovsky talks influences for new animation thrillist - Feb 04 2022

web jul 21 2022 genndy tartakovsky s primal was inspired by spaghetti westerns and bugs bunny and obviously conan the barbarian by emma stefansky published on 7 21 2022 at 10 00 am design by mallory

genndy tartakovsky sony pictures animation - Jan 15 2023

web award winning animation visionary genndy tartakovsky most recently executive produced sony pictures animation s adventure comedy hotel transylvania transformania based on a screenplay written by him

genndy tartakovsky s 7 inspiring rules for animators youtube - Jun 08 2022

web genndy tartakovsk creator of dexters laboratory star wars clone wars samurai jack genndy tartakovsky s primal and hotel transylvania is an animation legend in this video we will

latest movies and tv shows with genndy tartakovsky imdb - Jan 03 2022

web genndy tartakovsky s primal tales of savagery features a caveman and a dinosaur on the brink of extinction bonded by tragedy this unlikely friendship becomes the only hope of survival director genndy tartakovsky

unicorn warriors eternal season 1 review ign - Apr 06 2022

web posted jul 11 2023 10 41 am the first season of unicorn warriors eternal is now streaming on max genndy tartakovsky is a legend of animation and he s responsible for some of the biggest tv

genndy tartakovsky how to animate movement youtube - May 07 2022

web today we take a look at one of the most talented animators in the history of animation and what makes him so special twitter twitter com inferknight

animation legend genndy tartakovsky lists his 5 favorite cartoons esquire - May 19 2023

web may 2 2023 animation legend genndy tartakovsky lists his 5 favorite cartoons entertainment tv we asked an animation legend about his five favorite cartoons genndy tartakovsky the man behind

genndy tartakovsky wookieepedia fandom - Mar 05 2022

web genndy tartakovsky born january 17 1970 is a russian american animator director producer screenwriter voice actor storyboard artist comic book writer and artist better known to be the director of the original star wars clone wars animated tv series which are now considered legends material he has worked outside of star wars his best

[star wars clone wars 2003 tv series wikipedia](#) - Aug 10 2022

web plot the series begins shortly after attack of the clones as the failing galactic republic and the jedi are under siege from the separatist confederacy of independent systems and the sith as the war rages on more and more planets start to

[interview genndy tartakovsky breaks down primal s animation](#) - Jul 09 2022

web aug 20 2021 animation legend genndy tartakovsky discusses creating the hit series primal and the benefits of 2d animation in modern storytelling genndy tartakovsky s primal brought a completely different feel to adult animation based on the friendship between a caveman and a dinosaur the television series presents a stunning survival

genndy tartakovsky wikipedia - Jul 21 2023

web gennady borisovich tartakovsky russian Геннадий Борисович Тартаковский born 17 january 1970 commonly known as genndy tartakovsky ' g ɛ n d i , t ɑ : r t ə ' k ɒ f s k i is a russian american animator writer producer and director

genndy tartakovsky on the defining moments of his animation - Mar 17 2023

web oct 9 2019 26k views 3 years ago the works of animator genndy tartakovsky may vary wildly in tone from cartoonish mania dexter s laboratory to meditative action adventure samurai jack to mainstream

genndy tartakovsky is the cinematic leader of tv animation indiewire - Feb 16 2023

web samurai jack starting with dexter s laboratory 1996 tartakovsky s breakout hit at cartoon network about the wild adventures of a boy genius inventor he demonstrated a flair for cinematic

genndy tartakovsky every animated series ranked movieweb - Oct 12 2022

web published jun 13 2022 eureka tartakovsky has been creating game changing animation for over 20 years from dexter s laboratory to today s primal here we rank his best warner bros

genndy tartakovsky imdb - Jun 20 2023

web 1 video 7 photos genndy tartakovsky was born and raised in moscow ussr he and his family moved to chicago il when he was 7 years old after his father defected to the us his interest in comic books and animation led him

[pierres de sang prix du quai des orfa vres 2000 r pdf](#) - Oct 05 2022

web dec 7 2022 pierres de sang prix du quai des orfa vres 2000 r 2 7 downloaded from kelliemay com on december 7 2022 by guest violence des trafics mobilise stupes et crim au delà des frontières dans le secret d enquêtes mettant à l honneur des tempéraments policiers percutants parfois rebelles toujours passionnés en france et à

[pierres de sang prix du quai des orfa vres 2000 r pdf](#) - Sep 04 2022

web dec 15 2022 pierres de sang prix du quai des orfa vres 2000 r 2 5 downloaded from avenza dev avenza com on december 15 2022 by guest emphasizing the humanist anti war thrust of la grande illusion the film is approached as a work of art that is deeply expressive cinematically france philippe le bas 1843

pdf pierres de sang prix du quai des orfa vres 2000 r - Dec 07 2022

web pierres de sang prix du quai des orfa vres 2000 r l hermine était pourpre dec 22 2022 quand la justice est plus disposée à ouvrir les parapluies que les portes des prisons assumant le désordre des avocats le barreau est une confraternité où les robes peuvent cacher les armes de la vengeance où l hermine s ensanglante

pierres de sang prix du quai des orfa vres 2000 r pdf pdf - Apr 30 2022

web pierres de sang prix du quai des orfa vres 2000 r pdf if you ally habit such a referred pierres de sang prix du quai des orfa vres 2000 r pdf ebook that will give you worth get the certainly best seller from us currently from several preferred authors if you want to hilarious books lots of novels tale jokes and more fictions collections

pierres de sang prix du quai des orfa vres 2000 r pdf - Mar 10 2023

web jun 15 2023 merely said the pierres de sang prix du quai des orfa vres 2000 r is universally compatible later any devices to read sang d encre au 36 herve jourdain 2010 06 20 une plongée au coeur du 36 en forme d hommage à georges simenon prix vsd du polar 2009 prix des lecteurs véritable immersion au cœur du 36 quai des orfèvres

pierres de sang prix du quai des orfa vres 2000 r hans de - Jun 01 2022

web right here we have countless books pierres de sang prix du quai des orfa vres 2000 r and collections to check out we additionally come up with the money for variant types and next type of the books to browse

pierres de sang prix du quai des orfa vres 2000 r - Jul 02 2022

web sharpness of this pierres de sang prix du quai des orfa vres 2000 r can be taken as capably as picked to act round trip to america mark wyman 1993 historians of migration will welcome mark wyman s new book on the elusive subject of persons who returned to europe after coming to the united states other scholars have dealt

pierres de sang prix du quai des orfa vres 2000 r pablo - May 12 2023

web exaggeration to get those all we present pierres de sang prix du quai des orfa vres 2000 r and numerous books collections from fictions to scientific research in any way in the midst of them is this pierres de sang prix du quai des orfa vres 2000 r that can be your partner life of wagner ludwig nohl 1883 musical letters from abroad

pierres de sang prix du quai des orfvres 2000 romanesque - Mar 30 2022

web pierres de sang prix du quai des orfvres 2000 broch 26 romans policier prix du quai des orfvres 2019 tlcharger 26 romans policier prix du quai des orfvres pierres de sang prix du quai des orfvres 2000 prix du quai des orfvres pierres de sang prix quai des orfvres 2000 rakuten romans prims inplet goncourt fmina renaudot andr

pierres de sang prix du quai des orfa vres 2000 r copy - Jan 28 2022

web sep 7 2023 pierres de sang prix du quai des orfa vres 2000 r 1 8 downloaded from uniport edu ng on september 7 2023 by guest pierres de sang prix du quai des orfa vres 2000 r when somebody should go to the ebook stores search

commencement by shop shelf by shelf it is in reality problematic this is why we present the book

pierres de sang andré arnaud fayard - Jul 14 2023

web nov 24 1999 prix du quai des orfèvres pierres de sang andré arnaud pierres de sang lire un extrait prix du quai des orfèvres 2000 parution 24 11 1999 pages 309 format 110 x 178 mm prix du quai des orfèvres 2018 aux limites du virtuel et de la réalité les nouvelles technologies conduisent parfois à la folie

pierres de sang prix du quai des orfa vres 2000 r - Aug 15 2023

web pierres de sang prix du quai des orfa vres 2000 r 5 5 assassins l un de ses amants mort l autre disparu culebra passe ses journées emplis de désespoir parfaitement conscient que ses prédécesseurs ont tous connu la mort de seulement deux façons l assassinat ou le suicide la sainte bible etc sudarènes editions jacques pierre

pierres de sang prix du quai des orfa vres 2000 r pdf - Nov 06 2022

web dec 17 2022 pierres de sang prix du quai des orfa vres 2000 r 1 5 downloaded from kelliemay com on december 17 2022 by guest pierres de sang prix du quai des orfa vres 2000 r getting the books pierres de sang prix du quai des orfa vres 2000 r now is not type of challenging means you could not isolated going with ebook stock or

pierres de sang prix du quai des orfa vres 2000 r pdf 2023 - Feb 26 2022

web mar 18 2023 pierres de sang prix du quai des orfa vres 2000 r pdf de sang prix du quai des orfa vres 2000 r pdf can be one of the options to accompany you similar to having other time it will not waste your time allow me the e book will agreed impression you new concern to read just invest little period to way in this on line notice pierres de

[pierres de sang ebook de andré arnaud epub livre kobo com](#) - Feb 09 2023

web lisez pierres de sang prix du quai des orfèvres 2000 de andré arnaud disponible chez rakuten kobo patrick sarun journaliste à l agence presse informations trouve un cadavre devant sa porte en rentrant chez lui le mo

pierres de sang prix du quai des orfa vres 2000 r pdf - Dec 27 2021

web mar 9 2023 this pierres de sang prix du quai des orfa vres 2000 r as one of the most in action sellers here will completely be in the midst of the best options to review les secrets de laviolette pierre magnan 2015 05 31t00 00 00 02 00 trois histoires à suspense dont le

pierres de sang prix du quai des orfa vres 2000 r copy - Jan 08 2023

web qui a été l instrument du hold up au delà d une trompeuse guerre des polices commence entre montpellier paris et cannes une surprenante et fantastique chasse à l homme michel de roy est enquêteur de police à nîmes sûreté urbaine est son premier roman prix du quai des orfèvres 1986 tromper la mort oct 31 2022 pas assez d eau

[pierres de sang prix du quai des orfèvres 2000 romanesque](#) - Aug 03 2022

web jun 18 2023 retrieve this ebook pierres de sang prix du quai des orfèvres 2000 romanesque by andré arnaud is in

addition useful perhaps you have wisdom that people have look multiple times for their preferred books later this pierres de sang prix du quai des orfèvres 2000 romanesque by andré arnaud but end up in detrimental downloads

pierres de sang prix du quai des orfa vres 2000 r august - Apr 11 2023

web this pierres de sang prix du quai des orfa vres 2000 r can be taken as skillfully as picked to act peter bogdanovich peter tonguette 2015 01 21 before he was the academy award nominated director of the last picture show peter bogdanovich b 1939 interviewed some of cinema s great masters orson welles alfred hitchcock john ford

pierres de sang prix du quai des orfa vres 2000 r pdf full - Jun 13 2023

web pierres de sang prix du quai des orfa vres 2000 r pdf in a fast paced digital era where connections and knowledge intertwine the enigmatic realm of language reveals its inherent magic its capacity to stir emotions ignite contemplation and catalyze profound transformations is nothing in short supply of extraordinary

besame y vente conmigo de regalo doce campanadas y un - May 08 2023

web besame y vente conmigo de regalo doce campanadas y un beso romantica olivia ardey olivia ardey amazon es libros

bésame y vente conmigo ebook por olivia ardey epub - Jan 04 2023

web lee bésame y vente conmigo incluye doce campanadas y un beso por olivia ardey disponible en rakuten kobo Álvaro celia y nico tres amigos que lo compartieron todo de niños se reúnen en el funeral de un pariente millonario q

bésame y vente conmigo ardey olivia amazon com au books - Jul 30 2022

web select the department you want to search in

opiniones besame y vente conmigo casa del libro - Dec 23 2021

web opiniones del libro besame y vente conmigo de nuestros lectores puedes ver valoración media críticas y recomendaciones en casa del libro

bésame y vente conmigo incluye doce campanadas y un beso - Jul 10 2023

web bÉsame y vente conmigo Álvaro celia y nico tres amigos que lo compartieron todo de niños se reúnen en el funeral de un pariente millonario que oh sorpresa les ha dejado en herencia su bodega centenaria y sus valiosos viñedos en el bajo aragón

bésame y vente conmigo de olivia ardey en librerías gandhi - May 28 2022

web una carrera contrarreloj hacia el matrimonio una escapada a las vegas secretos malentendidos y el hallazgo de un tesoro inesperado harán que cada uno de los protagonistas acabe encontrando lo que más desea aunque ni ellos mismos lo sepan características idioma español

bésame y vente conmigo olivia ardey lecturalia - Sep 12 2023

web resumen y sinopsis de bésame y vente conmigo de olivia ardey Álvaro celia y nico tres amigos que lo compartieron todo de niños se reúnen en el funeral de un pariente millonario que oh sorpresa les ha dejado en herencia

bésame y vente conmigo ebook de olivia ardey kobo com - Feb 05 2023

web lee bésame y vente conmigo incluye doce campanadas y un beso de olivia ardey disponible en rakuten kobo Álvaro celia y nico tres amigos que lo compartieron todo de niños se reúnen en el funeral de un pariente millonario q

pe besame y vente conmigo doce campanadas y - Oct 21 2021

web bÉsame y vente conmigo Álvaro celia y nico tres amigos que lo compartieron todo de niños se reúnen en el funeral de un pariente millonario que oh sorpresa les ha dejado en herencia su bodega centenaria y sus valiosos viñedos en el bajo aragón sin embargo el testamento contiene una trampa el primero que se case lo heredara todo

bésame y vente conmigo doce campanadas y un beso - Mar 06 2023

web bésame y vente conmigo doce campanadas y un beso by ardey olivia isbn 10 8416580561 isbn 13 9788416580569

ediciones versatil s l 2016 softcover bésame y vente conmigo doce campanadas y un beso ardey olivia 9788416580569

bésame y vente conmigo doce campanadas y un beso - Feb 22 2022

web bésame y vente conmmigo Álvaro celia y nico tres amigos que lo compartieron todo de niños se reúnen en el funeral de un pariente millonario que oh sorpresa les ha dejado en herencia su bodega centenaria y sus ricos viñedos sin embargo el testamento contiene una trampa heredará la fortuna aquel de los tres que primero se case

bésame y vente conmigo doce campanadas y un beso - Nov 21 2021

web libro bésame y vente conmigo doce campanadas y un beso olivia ardey isbn 9788416580569 comprar en buscalibre ver opiniones y comentarios compra y venta de libros importados novedades y bestsellers en tu librería online buscalibre chile y

9788416580569 besame y vente conmigo de regalo doce - Jun 28 2022

web bÉsame y vente conmigo Álvaro celia y nico tres amigos que lo compartieron todo de niños se reúnen en el funeral de un pariente millonario que íoh sorpresa les ha dejado en herencia su bodega centenaria y sus valiosos viñedos en el bajo aragón

besame y vente conmigo olivia ardey casa - Aug 11 2023

web sinopsis de besame y vente conmigo tres amigos que lo compartieron todo de niños se reúnen al cabo de unos años sin verse para asistir al funeral de un pariente millonario que les ha dejado en herencia sus propiedades y sus ricos viñedos

[amazon com bésame y vente conmigo 9788492929832 ardey](#) - Apr 26 2022

web un romance para saborear a pequeÑos sorbos nota de cata hace salivar en boca fondo picante y especiado se encuentra en su momento Óptimo de consumo una romÁntica historia donde los vinos se degustan y los besos se paladean megan maxwell ganadora del premio dama 2012 al mejor romance

bésame y vente conmigo ardey olivia amazon fr livres - Jan 24 2022

web choisir vos préférences en matière de cookies nous utilisons des cookies et des outils similaires qui sont nécessaires pour vous permettre d effectuer des achats pour améliorer vos expériences d achat et fournir nos services comme détaillé

dans notre avis sur les cookies nous utilisons également ces cookies pour comprendre comment les clients

bésame y vente conmigo by olivia ardey overdrive - Apr 07 2023

web jul 5 2017 Álvaro celia y nico tres amigos que lo compartieron todo de niños se reúnen en el funeral de un pariente millonario que oh sorpresa les ha dejado en herencia su bodega centenaria y sus valiosos viñedos en el bajo aragón

bésame y vente conmigo 2ª edición romantica grapado - Nov 02 2022

web un romance para saborear a pequeÑos sorbos nota de cata hace salivar en boca fondo picante y especiado se encuentra en su momento Óptimo de consumo una romÁntica historia donde los vinos se degustan y los besos se paladean megan

maxwell ganadora del premio dama 2012 al mejor romance

bÉsame y vente conmigo ebook casa del libro - Mar 26 2022

web el ebook bÉsame y vente conmigo ebook del autor olivia ardey en pdf al mejor precio en casa del libro

bésame y vente conmigo amazon com - Jun 09 2023

web feb 4 2013 un romance para saborear a pequeÑos sorbos nota de cata hace salivar en boca fondo picante y especiado se encuentra en su momento Óptimo de consumo una romÁntica historia donde los vinos se degustan y los besos se paladean

megan maxwell ganadora del premio dama 2012 al mejor romance

bésame y vente conmigo on apple books - Oct 01 2022

web nov 7 2016 publisher description Álvaro celia y nico tres amigos que lo compartieron todo de niños se reúnen en el funeral de un pariente millonario que oh sorpresa les ha dejado en herencia su bodega centenaria y sus valiosos viñedos en el

bajo aragón sin embargo el testamento contiene una trampa el primero que se case lo heredará todo

bésame y vente conmigo by ardey olivia amazon ae - Aug 31 2022

web buy básame y vente conmigo by ardey olivia online on amazon ae at best prices fast and free shipping free returns cash on delivery available on eligible purchase

bésame y vente conmigo incluye doce campanadas y un beso - Dec 03 2022

web una carrera contrarreloj hacia el matrimonio una escapada a las vegas secretos malentendidos y el hallazgo de un tesoro inesperado harán que cada uno de los protagonistas acabe encontrando lo que más desea aunque ni ellos mismos lo sepan

lee gratis básame y vente conmigo incluye doce campanadas y un beso de

Unveiling the Magic of Words: A Report on "**Volvo Penta Md2 Diesel Engine Manuals**"

In a world defined by information and interconnectivity, the enchanting power of words has acquired unparalleled significance. Their power to kindle emotions, provoke contemplation, and ignite transformative change is really awe-inspiring. Enter the realm of "**Volvo Penta Md2 Diesel Engine Manuals**," a mesmerizing literary masterpiece penned with a distinguished author, guiding readers on a profound journey to unravel the secrets and potential hidden within every word. In this critique, we shall delve into the book's central themes, examine its distinctive writing style, and assess its profound impact on the souls of its readers.

https://offsite.creighton.edu/files/virtual-library/Documents/gre_quantitative_reasoning_examples.pdf

https://offsite.creighton.edu/files/virtual-library/Documents/gregg_braden_manifestation_meditation.pdf

https://offsite.creighton.edu/files/virtual-library/Documents/gonzaga_university_name_origin.pdf

Table of Contents Volvo Penta Md2 Diesel Engine Manuals

1. Understanding the eBook Volvo Penta Md2 Diesel Engine Manuals
 - The Rise of Digital Reading Volvo Penta Md2 Diesel Engine Manuals
 - Advantages of eBooks Over Traditional Books
2. Identifying Volvo Penta Md2 Diesel Engine Manuals
 - Exploring Different Genres
 - Considering Fiction vs. Non-Fiction
 - Determining Your Reading Goals
3. Choosing the Right eBook Platform
 - Popular eBook Platforms

- Features to Look for in an Volvo Penta Md2 Diesel Engine Manuals
 - User-Friendly Interface
4. Exploring eBook Recommendations from Volvo Penta Md2 Diesel Engine Manuals
 - Personalized Recommendations
 - Volvo Penta Md2 Diesel Engine Manuals User Reviews and Ratings
 - Volvo Penta Md2 Diesel Engine Manuals and Bestseller Lists
 5. Accessing Volvo Penta Md2 Diesel Engine Manuals Free and Paid eBooks
 - Volvo Penta Md2 Diesel Engine Manuals Public Domain eBooks
 - Volvo Penta Md2 Diesel Engine Manuals eBook Subscription Services
 - Volvo Penta Md2 Diesel Engine Manuals Budget-Friendly Options
 6. Navigating Volvo Penta Md2 Diesel Engine Manuals eBook Formats
 - ePub, PDF, MOBI, and More
 - Volvo Penta Md2 Diesel Engine Manuals Compatibility with Devices
 - Volvo Penta Md2 Diesel Engine Manuals Enhanced eBook Features
 7. Enhancing Your Reading Experience
 - Adjustable Fonts and Text Sizes of Volvo Penta Md2 Diesel Engine Manuals
 - Highlighting and Note-Taking Volvo Penta Md2 Diesel Engine Manuals
 - Interactive Elements Volvo Penta Md2 Diesel Engine Manuals
 8. Staying Engaged with Volvo Penta Md2 Diesel Engine Manuals
 - Joining Online Reading Communities
 - Participating in Virtual Book Clubs
 - Following Authors and Publishers Volvo Penta Md2 Diesel Engine Manuals
 9. Balancing eBooks and Physical Books Volvo Penta Md2 Diesel Engine Manuals
 - Benefits of a Digital Library
 - Creating a Diverse Reading Collection Volvo Penta Md2 Diesel Engine Manuals
 10. Overcoming Reading Challenges
 - Dealing with Digital Eye Strain
 - Minimizing Distractions
 - Managing Screen Time
 11. Cultivating a Reading Routine Volvo Penta Md2 Diesel Engine Manuals

- Setting Reading Goals Volvo Penta Md2 Diesel Engine Manuals
- Carving Out Dedicated Reading Time
- 12. Sourcing Reliable Information of Volvo Penta Md2 Diesel Engine Manuals
 - Fact-Checking eBook Content of Volvo Penta Md2 Diesel Engine Manuals
 - Distinguishing Credible Sources
- 13. Promoting Lifelong Learning
 - Utilizing eBooks for Skill Development
 - Exploring Educational eBooks
- 14. Embracing eBook Trends
 - Integration of Multimedia Elements
 - Interactive and Gamified eBooks

Volvo Penta Md2 Diesel Engine Manuals Introduction

In today's digital age, the availability of Volvo Penta Md2 Diesel Engine Manuals books and manuals for download has revolutionized the way we access information. Gone are the days of physically flipping through pages and carrying heavy textbooks or manuals. With just a few clicks, we can now access a wealth of knowledge from the comfort of our own homes or on the go. This article will explore the advantages of Volvo Penta Md2 Diesel Engine Manuals books and manuals for download, along with some popular platforms that offer these resources. One of the significant advantages of Volvo Penta Md2 Diesel Engine Manuals books and manuals for download is the cost-saving aspect. Traditional books and manuals can be costly, especially if you need to purchase several of them for educational or professional purposes. By accessing Volvo Penta Md2 Diesel Engine Manuals versions, you eliminate the need to spend money on physical copies. This not only saves you money but also reduces the environmental impact associated with book production and transportation. Furthermore, Volvo Penta Md2 Diesel Engine Manuals books and manuals for download are incredibly convenient. With just a computer or smartphone and an internet connection, you can access a vast library of resources on any subject imaginable. Whether you're a student looking for textbooks, a professional seeking industry-specific manuals, or someone interested in self-improvement, these digital resources provide an efficient and accessible means of acquiring knowledge. Moreover, PDF books and manuals offer a range of benefits compared to other digital formats. PDF files are designed to retain their formatting regardless of the device used to open them. This ensures that the content appears exactly as intended by the author, with no loss of formatting or missing graphics. Additionally, PDF files can be easily annotated, bookmarked, and searched for specific terms, making them highly practical for studying or referencing. When it comes to accessing Volvo Penta Md2 Diesel Engine Manuals books

and manuals, several platforms offer an extensive collection of resources. One such platform is Project Gutenberg, a nonprofit organization that provides over 60,000 free eBooks. These books are primarily in the public domain, meaning they can be freely distributed and downloaded. Project Gutenberg offers a wide range of classic literature, making it an excellent resource for literature enthusiasts. Another popular platform for Volvo Penta Md2 Diesel Engine Manuals books and manuals is Open Library. Open Library is an initiative of the Internet Archive, a non-profit organization dedicated to digitizing cultural artifacts and making them accessible to the public. Open Library hosts millions of books, including both public domain works and contemporary titles. It also allows users to borrow digital copies of certain books for a limited period, similar to a library lending system. Additionally, many universities and educational institutions have their own digital libraries that provide free access to PDF books and manuals. These libraries often offer academic texts, research papers, and technical manuals, making them invaluable resources for students and researchers. Some notable examples include MIT OpenCourseWare, which offers free access to course materials from the Massachusetts Institute of Technology, and the Digital Public Library of America, which provides a vast collection of digitized books and historical documents. In conclusion, Volvo Penta Md2 Diesel Engine Manuals books and manuals for download have transformed the way we access information. They provide a cost-effective and convenient means of acquiring knowledge, offering the ability to access a vast library of resources at our fingertips. With platforms like Project Gutenberg, Open Library, and various digital libraries offered by educational institutions, we have access to an ever-expanding collection of books and manuals. Whether for educational, professional, or personal purposes, these digital resources serve as valuable tools for continuous learning and self-improvement. So why not take advantage of the vast world of Volvo Penta Md2 Diesel Engine Manuals books and manuals for download and embark on your journey of knowledge?

FAQs About Volvo Penta Md2 Diesel Engine Manuals Books

How do I know which eBook platform is the best for me? Finding the best eBook platform depends on your reading preferences and device compatibility. Research different platforms, read user reviews, and explore their features before making a choice. Are free eBooks of good quality? Yes, many reputable platforms offer high-quality free eBooks, including classics and public domain works. However, make sure to verify the source to ensure the eBook credibility. Can I read eBooks without an eReader? Absolutely! Most eBook platforms offer web-based readers or mobile apps that allow you to read eBooks on your computer, tablet, or smartphone. How do I avoid digital eye strain while reading eBooks? To prevent digital eye strain, take regular breaks, adjust the font size and background color, and ensure proper lighting while reading eBooks. What the advantage of interactive eBooks? Interactive eBooks incorporate multimedia elements, quizzes, and activities,

enhancing the reader engagement and providing a more immersive learning experience. Volvo Penta Md2 Diesel Engine Manuals is one of the best book in our library for free trial. We provide copy of Volvo Penta Md2 Diesel Engine Manuals in digital format, so the resources that you find are reliable. There are also many Ebooks of related with Volvo Penta Md2 Diesel Engine Manuals. Where to download Volvo Penta Md2 Diesel Engine Manuals online for free? Are you looking for Volvo Penta Md2 Diesel Engine Manuals PDF? This is definitely going to save you time and cash in something you should think about.

Find Volvo Penta Md2 Diesel Engine Manuals :

~~gre quantitative reasoning examples~~

~~gregg braden manifestation meditation~~

gonzaga university name origin

~~graphing rational functions worksheet answers~~

~~harrison bergeron analysis questions~~

ground exercises for horses

great whites in alaska

handwriting lessons for adults

~~harley davidson online service manual~~

grendel by john gardner

greta thunberg legs

~~graphing compound inequalities examples~~

good pictionary ideas

gordon ramsays home kitchen

~~grounded theory vs phenomenology~~

Volvo Penta Md2 Diesel Engine Manuals :