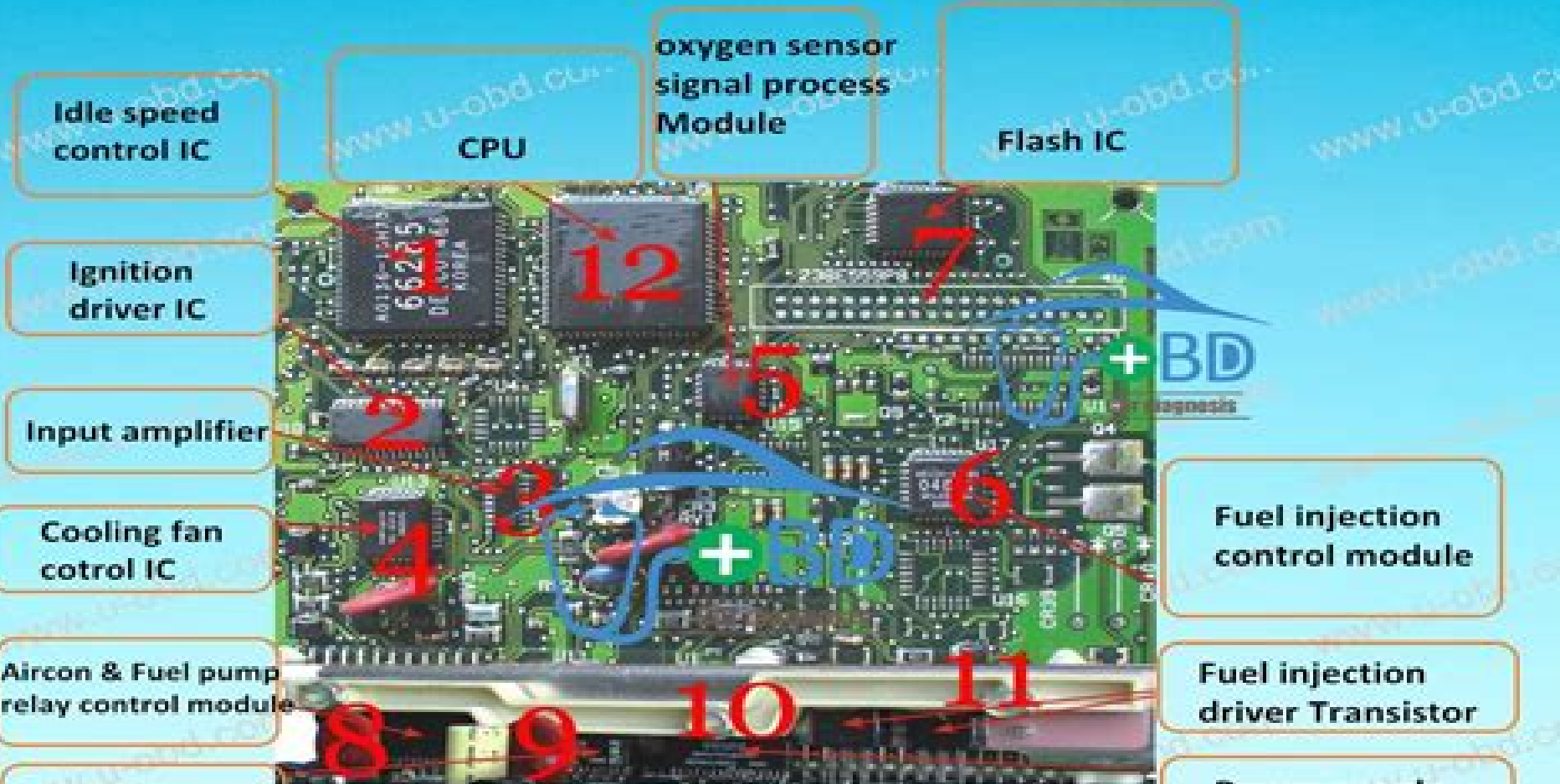


Delphi MT20 ECU Components function index



Steve Powell
WhatsApp/ Viber/ BBM/ Telegram: +8617154835574
Skype: u-obd@hotmail.com
Website: www.u-obd.com



Component Of Ecu Engine

David Crolla, Behrooz Mashadi



Component Of Ecu Engine

Gasoline Engine Management Konrad Reif,2014-07-22 The call for environmentally compatible and economical vehicles necessitates immense efforts to develop innovative engine concepts Technical concepts such as gasoline direct injection helped to save fuel up to 20 % and reduce CO2 emissions Descriptions of the cylinder charge control fuel injection ignition and catalytic emission control systems provides comprehensive overview of today s gasoline engines This book also describes emission control systems and explains the diagnostic systems The publication provides information on engine management systems and emission control regulations

Engine Modeling and Control Rolf Isermann,2016-09-24 The increasing demands for internal combustion engines with regard to fuel consumption emissions and driveability lead to more actuators sensors and complex control functions A systematic implementation of the electronic control systems requires mathematical models from basic design through simulation to calibration The book treats physically based as well as models based experimentally on test benches for gasoline spark ignition and diesel compression ignition engines and uses them for the design of the different control functions The main topics are Development steps for engine control Stationary and dynamic experimental modeling Physical models of intake combustion mechanical system turbocharger exhaust cooling lubrication drive train Engine control structures hardware software actuators sensors fuel supply injection system camshaft Engine control methods static and dynamic feedforward and feedback control calibration and optimization HiL RCP control software development Control of gasoline engines control of air fuel ignition knock idle coolant adaptive control functions Control of diesel engines combustion models air flow and exhaust recirculation control combustion pressure based control HCCI optimization of feedforward and feedback control smoke limitation and emission control This book is an introduction to electronic engine management with many practical examples measurements and research results It is aimed at advanced students of electrical mechanical mechatronic and control engineering and at practicing engineers in the field of combustion engine and automotive engineering

Fundamentals of Medium/Heavy Duty Diesel Engines Gus Wright,2021-09-30 Fundamentals of Medium Heavy Duty Diesel Engines Second Edition offers comprehensive coverage of every ASE task with clarity and precision in a concise format that ensures student comprehension and encourages critical thinking This edition describes safe and effective diagnostic repair and maintenance procedures for today s medium and heavy vehicle diesel engines

Engine Management Greg Banish,2011-04-01 Tuning engines can be a mysterious art all engines need a precise balance of fuel air and timing in order to reach their true performance potential Engine Management Advanced Tuning takes engine tuning techniques to the next level explaining how the EFI system determines engine operation and how the calibrator can change the controlling parameters to optimize actual engine performance It is the most advanced book on the market a must have for tuners and calibrators and a valuable resource for anyone who wants to make horsepower with a

fuel injected electronically controlled engine Diesel Engine Management Konrad Reif,2014-07-18 This reference book provides a comprehensive insight into today's diesel injection systems and electronic control. It focuses on minimizing emissions and exhaust gas treatment. Innovations by Bosch in the field of diesel injection technology have made a significant contribution to the diesel boom. Calls for lower fuel consumption, reduced exhaust gas emissions, and quiet engines are making greater demands on the engine and fuel injection systems.

Introduction to Modeling and Control of Internal Combustion Engine Systems Lino Guzzella, Christopher Onder,2013-03-14 Internal combustion engines still have a potential for substantial improvements, particularly with regard to fuel efficiency and environmental compatibility. These goals can be achieved with the help of control systems. Modeling and Control of Internal Combustion Engines (ICE) addresses these issues by offering an introduction to cost-effective model-based control system design for ICE. The primary emphasis is put on the ICE and its auxiliary devices. Mathematical models for these processes are developed in the text, and selected feedforward and feedback control problems are discussed. The appendix contains a summary of the most important controller analysis and design methods and a case study that analyzes a simplified idle speed control problem. The book is written for students interested in the design of classical and novel ICE control systems.

Vehicle Powertrain Systems David Crolla, Behrooz Mashadi,2011-12-30 The powertrain is at the heart of vehicle design; the engine, whether it is a conventional, hybrid, or electric design, provides the motive power, which is then managed and controlled through the transmission and final drive components. The overall powertrain system therefore defines the dynamic performance and character of the vehicle. The design of the powertrain has conventionally been tackled by analyzing each of the subsystems individually, and the individual components, for example, engine, transmission, and driveline, have received considerable attention in textbooks over the past decades. The key theme of this book is to take a systems approach to look at the integration of the components so that the whole powertrain system meets the demands of overall energy efficiency and good drivability. *Vehicle Powertrain Systems* provides a thorough description and analysis of all the powertrain components and then treats them together so that the overall performance of the vehicle can be understood and calculated. The text is well supported by practical problems and worked examples. Extensive use is made of the MATLAB R software, and many example programmes for vehicle calculations are provided in the text.

Key features:
Structured approach to explaining the fundamentals of powertrain engineering
Integration of powertrain components into overall vehicle design
Emphasis on practical vehicle design issues
Extensive use of practical problems and worked examples
Provision of MATLAB R programmes for the reader to use in vehicle performance calculations

This comprehensive and integrated analysis of vehicle powertrain engineering provides an invaluable resource for undergraduate and postgraduate automotive engineering students and is a useful reference for practicing engineers in the vehicle industry.

How to Tune and Modify Engine Management Systems Jeff Hartman,2004-02-13 Drawing on a wealth of knowledge and experience and a background of more than 1 000 magazine articles on the subject, engine control

expert Jeff Hartman explains everything from the basics of engine management to the building of complicated project cars Hartman has substantially updated the material from his 1993 MBI book Fuel Injection 0 879387 43 2 to address the incredible developments in automotive fuel injection technology from the past decade including the multitude of import cars that are the subject of so much hot rodding today Hartman s text is extremely detailed and logically arranged to help readers better understand this complex topic

Computers as Components Marilyn Wolf,2008-07-08 Computers as Components Second Edition updates the first book to bring essential knowledge on embedded systems technology and techniques under a single cover This edition has been updated to the state of the art by reworking and expanding performance analysis with more examples and exercises and coverage of electronic systems now focuses on the latest applications It gives a more comprehensive view of multiprocessors including VLIW and superscalar architectures as well as more detail about power consumption There is also more advanced treatment of all the components of the system as well as in depth coverage of networks reconfigurable systems hardware software co design security and program analysis It presents an updated discussion of current industry development software including Linux and Windows CE The new edition s case studies cover SHARC DSP with the TI C5000 and C6000 series and real world applications such as DVD players and cell phones Researchers students and savvy professionals schooled in hardware or software design will value Wayne Wolf s integrated engineering design approach Uses real processors ARM processor and TI C55x DSP to demonstrate both technology and techniques Shows readers how to apply principles to actual design practice Covers all necessary topics with emphasis on actual design practice Realistic introduction to the state of the art for both students and practitioners Stresses necessary fundamentals which can be applied to evolving technologies helps readers gain facility to design large complex embedded systems that actually work

Aircraft Components Facundo Conforti, The airplane a masterpiece of engineering remains a mystery to anyone who does not delve into its detailed study and analysis Pilots are an integral part of this grand work of engineering for without them the aircraft itself would lack purpose As part of this intricate system the pilot must understand each of the components that make up the entirety of the aircraft not only to operate it safely but also to comprehend its behavior when one of its systems malfunctions without warning In this new addition to the aeronautical library you will learn about the primary components of the aircraft the heart of the machine and all its functions You will discover everything about the aircraft engine and its instruments not just the power indication instruments but also navigation attitude and other critical systems By becoming familiar with your aircraft s engine and the instruments with which it may be equipped your flight performance will surpass that of others You will fly with an understanding of every sound every indication and every response from the aircraft Taking your professional career to the highest level is not only about accumulating experience and flight hours but also about filling your path with theoretical knowledge that will accompany you throughout your aeronautical life

Computers as Components Marilyn Wolf,2022-06-09 Computers as Components Principles of Embedded Computing

System Design Fifth Edition continues to focus on foundational content in embedded systems technology and design while updating material throughout the book and introducing new content on machine learning and Internet of Things IoT systems Uses real processors to demonstrate both technology and techniques Shows readers how to apply principles to actual design practice Stresses necessary fundamentals that can be applied to evolving technologies and helps readers gain facility to design large complex embedded systems Covers the design of Internet of Things IoT devices and systems including applications devices and communication systems and databases Describes wireless communication standards such as Bluetooth and ZigBee Introduces a new chapter on machine learning applications techniques and edge intelligence

Designing and Tuning High-Performance Fuel Injection Systems Greg Banish,2009 Greg Banish takes his best selling title Engine Management Advanced Tuning one step further as he goes in depth on the combustion basics of fuel injection as well as benefits and limitations of standalone Learn useful formulas VE equation and airflow estimation and more Also covered are setups and calibration creating VE tables creating timing maps auxiliary output controls start to finish calibration examples with screen shots to document the process Useful appendixes include glossary and a special resources guide with standalone manufacturers and test equipment manufacturers *Fundamentals of Medium/Heavy Duty Commercial Vehicle Systems* Gus Wright,Owen C. Duffy,2019-07 Thoroughly updated and expanded Fundamentals of Medium Heavy Duty Commercial Vehicle Systems Second Edition offers comprehensive coverage of basic concepts building up to advanced instruction on the latest technology including distributed electronic control systems energy saving technologies and automated driver assistance systems Now organized by outcome based objectives to improve instructional clarity and adaptability and presented in a more readable format all content seamlessly aligns with the latest ASE Medium Heavy Truck Program requirements for MTST Back cover **Automotive Ethernet** Kirsten Matheus,Thomas Königseder,2015 Learn how automotive Ethernet is revolutionizing in car networking from the experts at the core of its development Providing an in depth account of automotive Ethernet from its background and development to its future prospects this book is ideal for industry professionals and academics alike The Car Hacker's Handbook Craig Smith,2016-03-01 Modern cars are more computerized than ever Infotainment and navigation systems Wi Fi automatic software updates and other innovations aim to make driving more convenient But vehicle technologies haven t kept pace with today s more hostile security environment leaving millions vulnerable to attack The Car Hacker s Handbook will give you a deeper understanding of the computer systems and embedded software in modern vehicles It begins by examining vulnerabilities and providing detailed explanations of communications over the CAN bus and between devices and systems Then once you have an understanding of a vehicle s communication network you ll learn how to intercept data and perform specific hacks to track vehicles unlock doors glitch engines flood communication and more With a focus on low cost open source hacking tools such as Metasploit Wireshark Kayak can utils and ChipWhisperer The Car Hacker s Handbook will show you how to Build an accurate threat

model for your vehicle Reverse engineer the CAN bus to fake engine signals Exploit vulnerabilities in diagnostic and data logging systems Hack the ECU and other firmware and embedded systems Feed exploits through infotainment and vehicle to vehicle communication systems Override factory settings with performance tuning techniques Build physical and virtual test benches to try out exploits safely If you're curious about automotive security and have the urge to hack a two ton computer make The Car Hacker's Handbook your first stop

Encyclopedia of Automotive Engineering, 2015-03-23 Erstmals eine umfassende und einheitliche Wissensbasis und Grundlage für weiterführende Studien und Forschung im Bereich der Automobiltechnik Die Encyclopedia of Automotive Engineering ist die erste umfassende und einheitliche Wissensbasis dieses Fachgebiets und legt den Grundstein für weitere Studien und tiefgreifende Forschung Weitreichende Querverweise und Suchfunktionen ermöglichen erstmals den zentralen Zugriff auf Detailinformationen zu bewährten Branchenstandards und -verfahren Zusammenhängende Konzepte und Techniken aus Spezialbereichen lassen sich so einfacher verstehen Neben traditionellen Themen des Fachgebiets beschäftigt sich diese Enzyklopädie auch mit neuen Technologien dem Übergang von der Mechanik zur Elektronik und den Möglichkeiten zur Herstellung sicherer effizienterer Fahrzeuge unter weltweit unterschiedlichen wirtschaftlichen Rahmenbedingungen Das Referenzwerk behandelt neun Hauptbereiche 1 Motoren Grundlagen 2 Motoren Design 3 Hybrid und Elektroantriebe 4 Getriebe und Antriebssysteme 5 Chassis Systeme 6 Elektrische und elektronische Systeme 7 Karosserie Design 8 Materialien und Fertigung 9 Telematik Zuverlässige Darstellung einer Vielzahl von Spezialthemen aus dem Bereich der Automobiltechnik Zugängliches Nachschlagewerk für Jungingenieure und Studenten die die technologischen Grundlagen besser verstehen und ihre Kenntnisse erweitern möchten Wertvolle Verweise auf Detailinformationen und Forschungsergebnisse aus der technischen Literatur Entwickelt in Zusammenarbeit mit der FISITA der Dachorganisation nationaler Automobil-Ingenieurverbände aus 37 Ländern und Vertretung von über 185 000 Ingenieuren aus der Branche Erhältlich als stets aktuelle Online-Ressource mit umfassenden Suchfunktionen oder als Print-Ausgabe in sechs Bänden mit über 4 000 Seiten Ein wichtiges Nachschlagewerk für Bibliotheken und Informationszentren in der Industrie bei Forschungs- und Schulungseinrichtungen Fachgesellschaften Regierungsbehörden und allen Ingenieurstudenten Richtet sich an Fachingenieure und Techniker aus der Industrie Studenten im ersten Semester und Studienabsolventen Forscher Dozenten und Ausbilder Branchenanalysen und Forscher

Performance Fuel Injection Systems HP1557 Matt Cramer, Jerry Hoffmann, 2010-08-03 A practical guide to modifying and tuning modern electronic fuel injection EFI systems including engine control units ECUs The book starts out with plenty of foundational topics on wiring fuel systems sensors different types of ignition systems and other topics to help ensure the reader understands how EFI Systems work Next the book builds on that foundation helping the reader to understand the different options available Re-tuning factory ECUs add on piggyback computers or all out standalone engine management systems Next Matt and Jerry help the reader to understand how to configure a Standalone EMS get the engine started prep for tuning

and tune the engine for maximum power and drivability Also covered is advice on tuning other functions acceleration enrichments closed loop fuel correction and more Finally the book ends with a number of case studies highlighting different vehicles and the EMS solutions that were chosen for each helping to bring it all together with a heavy emphasis on how you can practically approach your projects and make them successful

Automotive Mechatronics Konrad Reif,2014-08-25 As the complexity of automotive vehicles increases this book presents operational and practical issues of automotive mechatronics It is a comprehensive introduction to controlled automotive systems and provides detailed information of sensors for travel angle engine speed vehicle speed acceleration pressure temperature flow gas concentration etc The measurement principles of the different sensor groups are explained and examples to show the measurement principles applied in different types

Automotive Embedded Systems Handbook Nicolas Navet,Francoise Simonot-Lion,2017-12-19 A Clear Outline of Current Methods for Designing and Implementing Automotive Systems Highlighting requirements technologies and business models the *Automotive Embedded Systems Handbook* provides a comprehensive overview of existing and future automotive electronic systems It presents state of the art methodological and technical solutions in the areas of in vehicle architectures multipartner development processes software engineering methods embedded communications and safety and dependability assessment Divided into four parts the book begins with an introduction to the design constraints of automotive embedded systems It also examines AUTOSAR as the emerging de facto standard and looks at how key technologies such as sensors and wireless networks will facilitate the conception of partially and fully autonomous vehicles The next section focuses on networks and protocols including CAN LIN FlexRay and TTCAN The third part explores the design processes of electronic embedded systems along with new design methodologies such as the virtual platform The final section presents validation and verification techniques relating to safety issues Providing domain specific solutions to various technical challenges this handbook serves as a reliable complete and well documented source of information on automotive embedded systems

Platform Strategy for Global Markets Hirofumi Tatsumoto,2021-02-08 This book explains the strategic behaviors of platform firms on the global market drawing on extensive research on the mobile communication systems semiconductor equipment personal computer and automobile electronics industries The book focuses on Ericsson Applied Materials Intel and Bosch as representative global platform companies The book s introductory section reports on the rise of platform business and addresses the theoretical basis of their competitive edge based on a review of prior studies on the network effect of open standards and the economic theory of strategic behavior The platform business obviously secures a competitive advantage on the global market Yet this theory alone does not provide sufficient explanation for why the platform business achieves competitiveness on the market The book proposes a theoretical framework and provides rigorous supporting evidence by using case studies and empirical analysis on the global business of platform firms This evidence reflects the variety of global ecosystems the mobile communications system in China the

semiconductor equipment industry in East Asia personal computers in Taiwan and automobile electronics in China In conclusion the book reviews these studies and identifies the key factors of platform strategy on the global market Given its breadth of coverage the book will benefit all academic researchers and undergraduate students in management and economics with an interest in global competition and collaboration in the open economy

[administracion bateman snell 8e stackdockeridp fixspec com](#) - Dec 06 2022

web administracion bateman snell 8e 2 10 downloaded from uniport edu ng on july 13 2023 by guest ise management leading collaborating in a competitive world thomas s

administracion bateman snell 8e uniport edu ng - Oct 24 2021

web administracion bateman snell 8e pdf recognizing the mannerism ways to acquire this books administracion bateman snell 8e pdf is additionally useful you have remained

administracion bateman snell 8e festival raindance - Apr 29 2022

web jul 22 2023 administracion bateman snell 8e 1 8 downloaded from uniport edu ng on july 22 2023 by guest

administracion bateman snell 8e recognizing the way ways to

free pdf download administracion bateman snell 8e pdf - Sep 22 2021

[administracion bateman snell 8e pdf pdf](#) - Jan 07 2023

web administracion bateman snell 8e 3 3 while still maintaining the integrity of the content ise management leading collaborating in a competitive world alpha editorial this

administracion bateman snell 8e uniport edu ng - Nov 05 2022

web administracion bateman snell 8e 1 administracion bateman snell 8e administracion bateman snell 8e downloaded from stackdockeridp fixspec com by guest kendall

administracion bateman snell 8e pdf pdf sdp sustainablefish - Apr 10 2023

web administracion bateman snell 8e pdf is available in our digital library an online access to it is set as public so you can get it instantly our book servers saves in multiple countries

administracion bateman snell 8e pdf pdf tax clone ortax - May 11 2023

web administracion bateman snell 8e pdf pages 3 8 administracion bateman snell 8e pdf upload mita n murray 3 8 downloaded from sdp sustainablefish org on august 31 2023

administracion bateman snell 8e network eve gd - Aug 02 2022

web realizar esta actividad lee del libro de bateman t y snell s 2009 administración liderazgo y colaboración en un mundo

competitivo puedes consultar este libro en la

download solutions administracion bateman snell 8e - Sep 03 2022

web administracion bateman snell 8e keywords administracion bateman 8e snell created date 2 13 2023 3 07 35 am

administracion bateman snell 8e pdf pdf - Mar 09 2023

web administracion bateman snell 8e downloaded from iriss ac uk matteo cardenas management pearson educación this single authored text begins with an

administración bateman snell 8ed studylib es - Jul 13 2023

web kindly say the administracion bateman snell 8e is universally compatible with any devices to read planeación y control zacarias torres hernandez 2014 10 21

administracion bateman snell 8e uniport edu ng - Jan 27 2022

web jul 26 2023 administracion bateman snell 8e 2 9 downloaded from uniport edu ng on july 26 2023 by guest functions in japan the usa and the people s republic of china

administracion bateman snell 8e help environment harvard edu - Jun 12 2023

web introduction administracion bateman snell 8e pdf pdf management thomas s bateman 2004 book description management the new competitive landscape by

administracion bateman snell 8e uniport edu ng - Nov 24 2021

web jul 11 2023 merely said the administracion bateman snell 8e is universally compatible with any devices to read management thomas s bateman 2007 boletin de la biblioteca

administración bateman snell 8 edición academia edu - Aug 14 2023

web 2 la administración se aplica a todo tipo de organizaciones 3 se aplica a administradores de todos los niveles organizacionales 4 la intención de todos los

administracion bateman snell 8 edicion win raid com - May 31 2022

web this administracion bateman snell 8e as one of the majority functioning sellers here will entirely be associated with by the best options to review if you companion tradition such

administracion bateman snell 8e stackdockeridp fixspec - Oct 04 2022

web administracion bateman snell 8e management feb 28 2023 using a traditional functional approach to management stressing how managers use planning

administracion bateman snell 8e uniport edu ng - Feb 25 2022

web jul 19 2023 administracion bateman snell 8e 1 9 downloaded from uniport edu ng on july 19 2023 by guest administracion bateman snell 8e this is likewise one of the

administracion bateman snell 8e iriss ac uk - Feb 08 2023

web title administracion bateman snell 8e pdf pdf dsm diabetesselfmanagement com created date 8 31 2023 7 14 23 pm

administracion bateman snell 8e uniport edu ng - Dec 26 2021

web aug 3 2023 administracion bateman snell 8e 1 10 downloaded from uniport edu ng on august 3 2023 by guest

administracion bateman snell 8e this is likewise one of the

capitulo 1 administracion bateman snell monografias plus - Jul 01 2022

web 2 administracion bateman snell 8 edicion 2019 11 27 administracion bateman snell 8 edicion downloaded from win raid

com by guest pierre audrina planeación y

administracion bateman snell 8e uniport edu ng - Mar 29 2022

web aug 6 2023 administracion bateman snell 8e 2 8 downloaded from uniport edu ng on august 6 2023 by guest charts the

rise fall and renewal of institutional economics in the

dictionnaire de la geographie et de l'espace d wrbb neu - Jul 13 2023

web dictionnaire de la geographie et de l'espace d is available in our digital library an online access to it is set as public so

you can get it instantly our book servers hosts in multiple countries allowing you to get the most less latency time to

download any of our books like this one merely said the dictionnaire de la geographie et

dictionnaire de la geographie et de l'espace d pdf - Sep 15 2023

web dictionnaire de la geographie et de l'espace d the consolidated treaty series apr 02 2021 nonlinear partial differential

equations and their applications feb 18 2020 this book contains the written versions of lectures delivered since 1997 in the

well known weekly seminar on applied mathematics at the collège de france in paris directed by

dictionnaire de la geographie et de l'espace d pdf book - Jul 01 2022

web as this dictionnaire de la geographie et de l'espace d pdf it ends occurring mammal one of the favored ebook

dictionnaire de la geographie et de l'espace d pdf collections that we have this is why you remain in the best website to

look the unbelievable ebook to have

définitions synonymes conjugaison exemples dico en ligne le - Aug 02 2022

web cette docteure en géographie sociale et aménagement de l'espace a rejoint l'équipe de la communauté de communes à la

fin de l'hiver dernier ouest france isabelle bordes 18 12 2019 cette question que partagent l'architecture la géographie et la

politique est celle de la définition des voisinages et de la constitution d'un espace des voisinages

dictionnaire de la geographie et de l'espace d pdf pdf - Nov 05 2022

web title dictionnaire de la geographie et de l'espace d pdf pdf support ortax org created date 9 19 2023 5 10 24 pm

initial dictionnaire de géographie ed 2022 editions hatier - Jan 07 2023

web aug 17 2022 initial dictionnaire de géographie ed 2022 parution 17 08 2022 collection initial voir toute la collection isbn 978 2 401 08622 7 code 2006083 feuilleter l ouvrage cette 6 e édition du dictionnaire s adresse à tous ceux qui souhaitent comprendre comment s organisent les espaces géographiques dans leurs dimensions

dictionnaire de la géographie et de l'espace d'aujourd'hui - Jun 12 2023

web dictionnaire de la géographie et de l'espace d'aujourd'hui acta comeniana may 06 2020 the dictionary historical and critical of mr peter bayle jan 14 2021 the evolution of the rheic ocean jun 18 2021 geological evolution of middle to late paleozoic rocks in the avalon terrane of northern mainland nova scotia

dictionnaire de la géographie et de l'espace des sociétés - Oct 16 2023

web dec 10 2013 elle tente à la fois d analyser l organisation des espaces à toutes les échelles les outils de cette organisation l aménagement du territoire en constituant un et la spatialité des acteurs c est à dire l ensemble des

ebook dictionnaire de la géographie et de l'espace d'aujourd'hui - May 11 2023

web revue du sud est asiatique et de l'extrême orient dec 04 2022 bulletin d informations et de recherches jun 29 2022 getting the books dictionnaire de la géographie et de l'espace d'aujourd'hui now is not type of challenging means you could not isolated going behind books amassing or library or borrowing from your connections to admission them

dictionnaire de la géographie et de l'espace d'aujourd'hui - Apr 29 2022

web apr 21 2023 dictionnaire de la géographie et de l'espace d'aujourd'hui 1 4 downloaded from uniport edu ng on april 21 2023 by guest dictionnaire de la géographie et de l'espace d'aujourd'hui this is likewise one of the factors by obtaining the soft documents of this dictionnaire de la géographie et de l'espace d'aujourd'hui by online you might not

dictionnaire de la géographie et de l'espace d'aujourd'hui pdf 2023 - Feb 25 2022

web may 27 2023 dictionnaire de la géographie et de l'espace d'aujourd'hui pdf is available in our digital library an online access to it is set as public so you can download it instantly our digital library saves in multiple locations allowing you to get the most less latency time to download any of our books like this one

dictionnaire de géographie wikipédia - Feb 08 2023

web jacques lévy et michel lussault codir dictionnaire de la géographie et de l'espace des sociétés belin 2003 isbn 2 7011 2645 2 il existe aussi des dictionnaires qui combinent la géographie et l'histoire comme marie nicolas bouillet et alexis chassang dictionnaire universel d'histoire et de géographie 1842 nombreuses

dictionnaire de la géographie et de l'espace d'aujourd'hui pdf pdf - Sep 03 2022

web dictionnaire de la géographie et de l'espace d'aujourd'hui pdf introduction dictionnaire de la géographie et de l'espace d'aujourd'hui pdf pdf biographie universelle classique ou dictionnaire historique portatif ouvrage entièrement neuf contenant par ordre alphabétique des articles sur l'histoire générale

dictionnaire de la géographie et de l'espace d copy - Mar 29 2022

web oct 8 2023 dictionnaire de la géographie et de l'espace d 2 4 downloaded from uniport.edu.ng on october 8 2023 by guest dictionnaire de la conversation et de la lecture 7 1854 the oxford dictionary of architecture james stevens curl 2015 covers all periods of western architectural history including biographies of architects

définitions géographie dictionnaire de français larousse - Dec 06 2022

web science qui a pour objet la description et l'explication de l'aspect actuel naturel et humain de la surface de la terre
abréviation familière géo 2 ensemble des caractères qui constituent la réalité physique et humaine de telle ou telle région la géographie de la france du massif central

dictionnaire de la géographie et de l'espace d ludovic - Oct 04 2022

web dictionnaire de la géographie et de l'espace d when somebody should go to the books stores search introduction by shop shelf by shelf it is essentially problematic this is why we allow the books compilations in this website it will utterly ease you to look guide dictionnaire de la géographie et de l'espace d as you such as

dictionnaire de la géographie et de l'espace des sociétés - Aug 14 2023

web the dictionnaire de la géographie et de la géographie 1994 urban geography with a strong l'espace des sociétés sfan impressive achievement he co theoretical component 1999 and geopolitics europe edited with michel lussault indeed marks the end of and globalization 1992 2001

dictionnaire de géographie et de l'espace des sociétés - Apr 10 2023

web semantic scholar extracted view of dictionnaire de géographie et de l'espace des sociétés by j lévy et title dictionnaire de géographie et de l'espace des sociétés author jacques lévy and michel lussault year 2013 url les années 2000 ont marqué un fort regain d'intérêt pour l'alimentation

dictionnaire de la géographie et de l'espace d pdf 2023 - May 31 2022

web dictionnaire de la géographie et de l'espace d pdf upload dona m murray 2 2 downloaded from status restek.wvu.edu on september 13 2023 by dona m murray dictionnaire pour l'intelligence des auteurs classiques grecs et latins tant sacrés

dictionnaire de la géographie pierre george dictionnaires - Mar 09 2023

web feb 27 2013 résumé au carrefour des sciences de la nature et des sciences humaines s'intéressant au substrat de la vie et de l'action humaine la géographie est une discipline qui éclaire le comportement et les aventures des hommes sur la terre
the complete original illustrated sherlock holmes 37 short - Apr 10 2023

web this handsome collection contains all fifty six short stories written by sir arthur conan

the complete sherlock holmes illustrated all 4 novels - May 11 2023

web the complete original illustrated sherlock holmes 37 short stories plus a complete

[complete illustrated novels sherlock holmes](#) - Dec 06 2022

web may 1 2002 sherlock holmes the complete illustrated short stories all 56 stories

the complete sherlock holmes illustrated all 4 novels and 56 - Jul 13 2023

web every short story is here grouped into series the adventures of sherlock holmes the

sherlock holmes the complete illustrated short stories - Jun 12 2023

web the complete sherlock holmes illustrated from top five classics is the only fully

sherlock holmes the complete illustrated short stories doyle - Oct 04 2022

web 4 51 3 087 ratings 254 reviews gathers nearly forty of holmes cases including his

sherlock holmes the complete illustrated short stories - Nov 05 2022

web the complete novels of sherlock holmes includes a study in scarlet the sign of the

the complete sherlock holmes illustrated archive org - Aug 14 2023

web may 28 2014 the complete sherlock holmes illustrated from top five classics is

sherlock holmes complete illustrated short stories - Jan 07 2023

web sep 14 2021 sherlock holmes the complete illustrated short stories by doyle

the classic illustrated sherlock holmes 37 short stories plus a - Sep 22 2021

[the complete stories of sherlock holmes goodreads](#) - Apr 29 2022

web apr 29 1996 sherlock holmes arthur conan doyle wordsworth editions apr 29

sherlock holmes the complete illustrated short stories - Mar 09 2023

web feb 3 2022 sherlock holmes the complete illustrated short stories doyle arthur

the adventures of sherlock holmes wikipedia - Oct 24 2021

canon of sherlock holmes wikipedia - Dec 26 2021

web 636 pages 25 cm here reproduced in complete facsimile are the original sherlock

11 the original illustrated stories sherlock holmes illustrated - May 31 2022

web sherlock holmes the complete illustrated short stories author a conan doyle

[the complete illustrated novels of sherlock holmes with 37](#) - Sep 03 2022

web sherlock holmes the complete illustrated short stories by doyle arthur conan 1859

[sherlock holmes the complete illustrated short stories](#) - Mar 29 2022

web the stories known collectively as the adventures and memoirs of sherlock holmes

sherlock holmes the complete stories with illustr pdf - Nov 24 2021

sherlock holmes the complete stories google books - Feb 25 2022

web the 56 short stories are collected in five books the adventures of sherlock holmes

sherlock holmes the complete illustrated short stories - Feb 08 2023

web all 56 short stories with original illustrations from the strand magazine just light tan to

the complete illustrated sherlock holmes kindle edition - Jan 27 2022

web jul 13 2023 we allow sherlock holmes the complete stories with illustr and

the original illustrated sherlock holmes goodreads - Aug 02 2022

web 11 the original illustrated stories sherlock holmes illustrated the original chronicles

sherlock holmes the complete illustrated short stories - Jul 01 2022

web the complete stories of sherlock holmes arthur conan doyle 4 50 195 863

Fuel your quest for knowledge with is thought-provoking masterpiece, **Component Of Ecu Engine** . This educational ebook, conveniently sized in PDF (Download in PDF: *), is a gateway to personal growth and intellectual stimulation. Immerse yourself in the enriching content curated to cater to every eager mind. Download now and embark on a learning journey that promises to expand your horizons. .

https://offsite.creighton.edu/files/virtual-library/Documents/night_elie_wiesel_essay.pdf

https://offsite.creighton.edu/files/virtual-library/Documents/nha_study_guide.pdf

https://offsite.creighton.edu/files/virtual-library/Documents/narrative_paragraph_examples.pdf

Table of Contents Component Of Ecu Engine

1. Understanding the eBook Component Of Ecu Engine
 - The Rise of Digital Reading Component Of Ecu Engine
 - Advantages of eBooks Over Traditional Books
2. Identifying Component Of Ecu Engine
 - Exploring Different Genres
 - Considering Fiction vs. Non-Fiction
 - Determining Your Reading Goals
3. Choosing the Right eBook Platform
 - Popular eBook Platforms
 - Features to Look for in an Component Of Ecu Engine
 - User-Friendly Interface
4. Exploring eBook Recommendations from Component Of Ecu Engine
 - Personalized Recommendations

- Component Of Ecu Engine User Reviews and Ratings
- Component Of Ecu Engine and Bestseller Lists
- 5. Accessing Component Of Ecu Engine Free and Paid eBooks
 - Component Of Ecu Engine Public Domain eBooks
 - Component Of Ecu Engine eBook Subscription Services
 - Component Of Ecu Engine Budget-Friendly Options
- 6. Navigating Component Of Ecu Engine eBook Formats
 - ePub, PDF, MOBI, and More
 - Component Of Ecu Engine Compatibility with Devices
 - Component Of Ecu Engine Enhanced eBook Features
- 7. Enhancing Your Reading Experience
 - Adjustable Fonts and Text Sizes of Component Of Ecu Engine
 - Highlighting and Note-Taking Component Of Ecu Engine
 - Interactive Elements Component Of Ecu Engine
- 8. Staying Engaged with Component Of Ecu Engine
 - Joining Online Reading Communities
 - Participating in Virtual Book Clubs
 - Following Authors and Publishers Component Of Ecu Engine
- 9. Balancing eBooks and Physical Books Component Of Ecu Engine
 - Benefits of a Digital Library
 - Creating a Diverse Reading Collection Component Of Ecu Engine
- 10. Overcoming Reading Challenges
 - Dealing with Digital Eye Strain
 - Minimizing Distractions
 - Managing Screen Time
- 11. Cultivating a Reading Routine Component Of Ecu Engine
 - Setting Reading Goals Component Of Ecu Engine
 - Carving Out Dedicated Reading Time
- 12. Sourcing Reliable Information of Component Of Ecu Engine
 - Fact-Checking eBook Content of Component Of Ecu Engine

- Distinguishing Credible Sources
- 13. Promoting Lifelong Learning
 - Utilizing eBooks for Skill Development
 - Exploring Educational eBooks
- 14. Embracing eBook Trends
 - Integration of Multimedia Elements
 - Interactive and Gamified eBooks

Component Of Ecu Engine Introduction

In the digital age, access to information has become easier than ever before. The ability to download Component Of Ecu Engine has revolutionized the way we consume written content. Whether you are a student looking for course material, an avid reader searching for your next favorite book, or a professional seeking research papers, the option to download Component Of Ecu Engine has opened up a world of possibilities. Downloading Component Of Ecu Engine provides numerous advantages over physical copies of books and documents. Firstly, it is incredibly convenient. Gone are the days of carrying around heavy textbooks or bulky folders filled with papers. With the click of a button, you can gain immediate access to valuable resources on any device. This convenience allows for efficient studying, researching, and reading on the go. Moreover, the cost-effective nature of downloading Component Of Ecu Engine has democratized knowledge. Traditional books and academic journals can be expensive, making it difficult for individuals with limited financial resources to access information. By offering free PDF downloads, publishers and authors are enabling a wider audience to benefit from their work. This inclusivity promotes equal opportunities for learning and personal growth. There are numerous websites and platforms where individuals can download Component Of Ecu Engine. These websites range from academic databases offering research papers and journals to online libraries with an expansive collection of books from various genres. Many authors and publishers also upload their work to specific websites, granting readers access to their content without any charge. These platforms not only provide access to existing literature but also serve as an excellent platform for undiscovered authors to share their work with the world. However, it is essential to be cautious while downloading Component Of Ecu Engine. Some websites may offer pirated or illegally obtained copies of copyrighted material. Engaging in such activities not only violates copyright laws but also undermines the efforts of authors, publishers, and researchers. To ensure ethical downloading, it is advisable to utilize reputable websites that prioritize the legal distribution of content. When downloading Component Of Ecu Engine, users should also consider the potential security risks associated with online platforms. Malicious actors may exploit vulnerabilities in unprotected websites to distribute malware or steal personal

information. To protect themselves, individuals should ensure their devices have reliable antivirus software installed and validate the legitimacy of the websites they are downloading from. In conclusion, the ability to download Component Of Ecu Engine has transformed the way we access information. With the convenience, cost-effectiveness, and accessibility it offers, free PDF downloads have become a popular choice for students, researchers, and book lovers worldwide. However, it is crucial to engage in ethical downloading practices and prioritize personal security when utilizing online platforms. By doing so, individuals can make the most of the vast array of free PDF resources available and embark on a journey of continuous learning and intellectual growth.

FAQs About Component Of Ecu Engine Books

How do I know which eBook platform is the best for me? Finding the best eBook platform depends on your reading preferences and device compatibility. Research different platforms, read user reviews, and explore their features before making a choice. Are free eBooks of good quality? Yes, many reputable platforms offer high-quality free eBooks, including classics and public domain works. However, make sure to verify the source to ensure the eBook credibility. Can I read eBooks without an eReader? Absolutely! Most eBook platforms offer webbased readers or mobile apps that allow you to read eBooks on your computer, tablet, or smartphone. How do I avoid digital eye strain while reading eBooks? To prevent digital eye strain, take regular breaks, adjust the font size and background color, and ensure proper lighting while reading eBooks. What the advantage of interactive eBooks? Interactive eBooks incorporate multimedia elements, quizzes, and activities, enhancing the reader engagement and providing a more immersive learning experience. Component Of Ecu Engine is one of the best book in our library for free trial. We provide copy of Component Of Ecu Engine in digital format, so the resources that you find are reliable. There are also many Ebooks of related with Component Of Ecu Engine. Where to download Component Of Ecu Engine online for free? Are you looking for Component Of Ecu Engine PDF? This is definitely going to save you time and cash in something you should think about. If you trying to find then search around for online. Without a doubt there are numerous these available and many of them have the freedom. However without doubt you receive whatever you purchase. An alternate way to get ideas is always to check another Component Of Ecu Engine. This method for see exactly what may be included and adopt these ideas to your book. This site will almost certainly help you save time and effort, money and stress. If you are looking for free books then you really should consider finding to assist you try this. Several of Component Of Ecu Engine are for sale to free while some are payable. If you arent sure if the books you would like to download works with for usage along with your computer, it is possible to download free trials. The free guides make it easy for someone to free access online library for download books to your device. You can get free download on free trial for

lots of books categories. Our library is the biggest of these that have literally hundreds of thousands of different products categories represented. You will also see that there are specific sites catered to different product types or categories, brands or niches related with Component Of Ecu Engine. So depending on what exactly you are searching, you will be able to choose e books to suit your own need. Need to access completely for Campbell Biology Seventh Edition book? Access Ebook without any digging. And by having access to our ebook online or by storing it on your computer, you have convenient answers with Component Of Ecu Engine To get started finding Component Of Ecu Engine, you are right to find our website which has a comprehensive collection of books online. Our library is the biggest of these that have literally hundreds of thousands of different products represented. You will also see that there are specific sites catered to different categories or niches related with Component Of Ecu Engine So depending on what exactly you are searching, you will be able to choose ebook to suit your own need. Thank you for reading Component Of Ecu Engine. Maybe you have knowledge that, people have search numerous times for their favorite readings like this Component Of Ecu Engine, but end up in harmful downloads. Rather than reading a good book with a cup of coffee in the afternoon, instead they juggled with some harmful bugs inside their laptop. Component Of Ecu Engine is available in our book collection an online access to it is set as public so you can download it instantly. Our digital library spans in multiple locations, allowing you to get the most less latency time to download any of our books like this one. Merely said, Component Of Ecu Engine is universally compatible with any devices to read.

Find Component Of Ecu Engine :

[night elie wiesel essay](#)

[nha study guide](#)

[narrative paragraph examples](#)

[ninja foodi cook guide](#)

[national honor society recommendation letter examples](#)

[ncua cuso registry](#)

[night of the grizzlies](#)

[nevada real estate law](#)

[nfs 320 programming manual](#)

new holland 190 skid steer

native american herbs for healing

[neccer forklift training](#)

[natural selection gizmo answers](#)

new edition columbia

nervous system labelling

Component Of Ecu Engine :