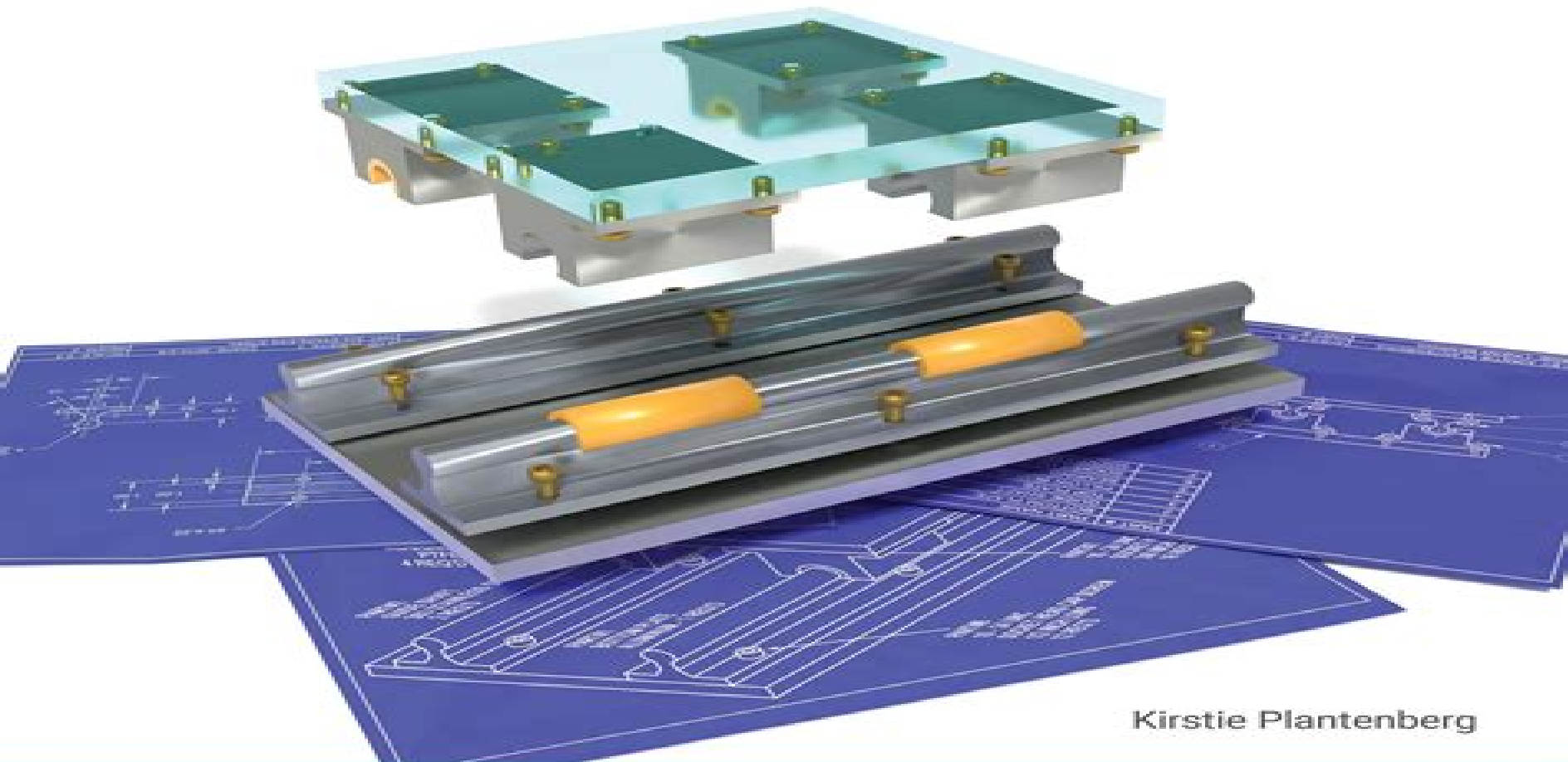


Engineering Graphics Essentials with AutoCAD 2023 Instruction

Text and Video Instruction



Kirstie Plantenberg

Engineering Graphics Essentials With Autocad 2013 Solutions

Christian G. Meyer



Engineering Graphics Essentials With Autocad 2013 Solutions

[reciting poem rubric elementary uniport edu ng](#) - Jan 27 2022

web aug 16 2023 reciting poem rubric elementary 2 9 downloaded from uniport edu ng on august 16 2023 by guest summary and 20 activity options the packet also includes

[poem recitation rubric doc poetry recitation rubric name](#) - Apr 29 2022

web includes a reading comprehension rubric a standards alignment chart and pages of reading passages with evidence based questions to encourage higher level thinking and

[poetry rubric enetlearning](#) - May 31 2022

web poetry rubric message points description 15 20 excellent message is compelling engaging and very clear message achieves purpose of encouraging one to vote 10 14

7 poetry out loud scoring rubric - Feb 08 2023

web this poetry recitation worksheet includes tips for memorizing reciting poetry 12 short poems by authors shel silverstein jack prelutsky odgen nash etc for students to

rubric for poem performance teaching resources tpt - Jul 01 2022

web view poem recitation rubric doc from educ 18 at cebu normal university poetry recitation rubric name category very good good fair poor 4 3 2 1 speaks clearly

poetry recitation rubric pdf scribd - Oct 04 2022

web the poems are complete and follow their intended forms poem has 15 lines or more and is divided up into 3 or more stanzas poem has a distinct rhyme scheme and follows it

[poetry recital rubric ela twinkl usa teacher made](#) - Apr 10 2023

web 7 poetry out loud scoring rubric the scoring rubric is meant to provide a consistent measure against which to evaluate recitations it is not intended to be comprehensive but

[irubric poetry memorization and recitation rubric a2w49b9](#) - Dec 26 2021

web jul 12 2023 reciting poem rubric elementary 2 11 downloaded from uniport edu ng on july 12 2023 by guest terms brimming with content for both students and teachers

[irubric poetry recitation rubric h3bc3b rcampus](#) - May 11 2023

web poetry speaking and performance rubric name group use this guide to evaluate your speaking and performance skills when reading and performing your poetry 4 3 2 1

teacher s grading rubric for poem recitation mr daly s 7th - Aug 14 2023

web teacher s grading rubric for poem recitation ral presentation rubric performance poetry mode the performers know the poem well and has obviously practiced reciting the

reciting poetry with rubric esl worksheet by - Jul 13 2023

web skips or changes words in poem student recites poem comfortably without prompting or word changes student doesn t use eye contact shows no emotion doesn t vary tone or

poetry reading rubric teaching resources teachers pay - Sep 03 2022

web used for both plays and reciting poetry students can evaluate themselves before or after their performance the two separate rubrics i created in both english and spanish for

poetry rubric moody college of communication - Mar 29 2022

web jul 29 2023 merely said the reciting poem rubric elementary is universally compatible subsequent to any devices to read by the rubric of rhythm they ll read cherie a

reciting poem rubric elementary uniport edu ng - Oct 24 2021

results for poetry recitation rubrics tpt - Jan 07 2023

web there are 3 different poetry rubrics with added pqs praise question suggest poetry rubric with concentration on imagery tone grammar spelling and presentation used

reciting poetry rubric teaching resources teachers pay - Nov 05 2022

web it provides a complete solution for teaching your students the skills to write 19 types of poems with confidence no prep required all lessons resources and tools

irubric kindergarten poem recitation rubric f8wcv6 - Jun 12 2023

web irubric h3bc3b students will memorize a poem and present it to the class free rubric builder and assessment tools

reciting poem rubric elementary dev2 bryanu - Feb 25 2022

web poetry memorization and recitation students will memorize and recite a particular poem to their peers rubric code a2w49b9 by lizopierce ready to use public rubric subject

irubric writing and reciting a poem rubric v22a7ab rcampus - Aug 02 2022

web may 3 2001 poetry rubric writing and illustrating a poem beginning 1 developing 2 accomplished 3 exemplary 4 score form uses an inappropriate poetic form may use an

poem recitation rubric teaching resources teachers pay - Dec 06 2022

web poetry recitation rubric free download as word doc doc pdf file pdf text file txt or view presentation slides online guide in

grading poetry recitations

poetry speaking and performance rubric readwritethink - Mar 09 2023

web contents poem recitation activity for any poem students will read the poem out loud to help better understand the language and meaning includes reciting a poem

reciting poem rubric elementary uniport edu ng - Nov 24 2021

35 cool ways to make rainbow loom bracelets designs and - Apr 05 2022

web apr 10 2019 35 designs tutorials how to make rainbow loom bracelets 1 rainbow loom bracelets diy tiger striped this is a very intricate tiger striped design which will enhance the look of the bracelet the linked video tutorial helps you with step by step instructions to make one yourself

free printable loom band instructions user manual search - Jan 02 2022

web free printable loom band instructions bracelet patterns new videos check out our clips section under tools for alternative ways of finishing off your patterns rainbow loom patterns is proud to present to you our collection of bracelets categorized into beginner intermediate and advanced levels

top 10 rainbow loom bracelet tutorials our kiwi homeschool - May 06 2022

web january 19 2021 by naomi these rainbow loom bracelet tutorials are great for getting new design inspirations and honing your looming skills while the rainbow loom isn t quite as popular as it once was it s something all young girls end up giving a go at some point

how to make rainbow loom single bracelet design by rainbow fun loom - Mar 04 2022

web if you require further assistance please contact us how to make rainbow loom single bracelet design by rainbow fun loom australia new zealand instructions on how to use rainbow loom for single bracelet design buy blue green rainbow bands for rainbow loom single bracelet design

make a bead loom and bracelet 44 steps with pictures instructables - Oct 11 2022

web for the loom i used table saw box joint jig drill press hand sander and vacuum table metal chop saw jig saw table assorted clamps glue scrap pieces of oak screws and screw driver 1 4 20 threaded rod 2ft and two wing nuts to match 1 4 inch diameter solid rod 2ft 4 eye screws 2 knitting needles 3 step golf tees for the bracelet

single rainbow loom bracelet 5 steps with pictures instructables - Apr 17 2023

web step 1 what you ll need a rainbow loom kit or other rubber band loom bands c clips loom hook or a small crochet hook if you buy the rainbow loom kit above you will get the hook shown some c clips and some bands won t need to buy anything else d ask question step 2 lay down the bands

the ultimate rainbow loom guide instructables - Aug 21 2023

web the ultimate rainbow loom guide time to start making with your rainbow loom we ll get you started with making a basic bracelet on the loom and work you up to making crazy starburst bracelets and fun little charms

40 rainbow loom tutorials and ideas the simply crafted life - Nov 12 2022

web jan 3 2014 left column extending bracelets with single loom the cheese thief double sided bracelet the cheese thief the cube loom love dragon scale cuff cheryl mayberry via rainbow loomatics times square loom love double bead ladder rainbow loom via loomatics

instructions on how to make rainbow loom designs loom bracelets - Sep 22 2023

web welcome to rainbow fun tutorials for the coolest rainbow loom designs on this page you ll find rainbow loom instructions for the simplest to most advanced bracelets charms and other artistic loom designs the sky s the limit with rainbow loom so if you come up with a unique design we encourage you to send it in to our facebook page

simple bead weaving loom bracelet instructables - May 18 2023

web simple bead weaving loom bracelet in this instructable i will be teaching you how to make a really simple bead weaving loom out of household scraps and wood pieces and i will guide you through the process of making a super unique beaded bracelet i made two of them which vary in s

8 easy bracelets for rainbow loom beginners loom love - Jun 19 2023

web dec 26 2013 1 single 2 squared single 3 fishtail 4 double band fishtail 5 railroad 6 triple single 7 diamond 8 bonbon posted in going viral rainbow loom inspiration 271 comments post navigation how to make the diamond with rings how to make the bandana xena says i so love making them xxxxxxxxxxxx may 18 2014 at 11 02 pm

how to make loom bracelets with pictures wikipedi - Oct 23 2023

web jun 16 2019 to make a loom bracelet you ll need rubber loom bands a loom and a metal hook tool get started by making an infinity loop on the lower left rungs of your loom using 2 bands then place 4 more bands on the same rungs but this time don t make an infinity loop with them

all your favorite patterns in one place rainbow loom patterns - Jul 20 2023

web below is an extensive list of unique bracelets in a mobile friendly format each one of our bracelet patterns has a consistent method of instructions including the following 4 sections of information step by step instructions section in point form which was pulled from the video instructions

how to make the single bracelet rainbow loom patterns - Dec 13 2022

web single bracelet summary skill level beginner supplies required 25 elastic bands 1 clip description this is a good bracelet to begin working on the loom it is simple to lay the elastics and very easy to redo if an elastic accidentally pops off the

pattern is the bracelet it is also the foundation for creating extensions for many other

25 free patterns and designs to make a rainbow loom bracelet - Jul 08 2022

web dec 7 2018 free patterns to make a cool rainbow loom bracelet following the instructions in the video tutorial you can make a cool funky bracelet as shown in the image below if you want to make it look stylish then attach the owls as shown here or any other embellishments of your choice

how to make rainbow loom bracelets rainbow loom instructions - Jan 14 2023

web page 1 2 3 4 want to learn how to make rainbow loom bracelets we've found many rainbow loom instructions and patterns we love making bracelets creating and finding helpful loom tutorials

9 ways to make a rainbow loom bracelet wikipedi - Feb 15 2023

web feb 15 2023 step 1 set up your rainbow loom kit read the instructions that came with your loom and set it up like the directions say make sure the u shaped pegs are facing up the arrows should be facing away from your body step 2 place the first band diagonally place your first rubber band diagonally on a peg starting with the first middle peg is

how to make a rainbow loom loop bracelet - Sep 10 2022

web feb 25 2014 how to make a loop bracelet by loomlove on february 25 2014 looking for a brand new rainbow loom bracelet design that doesn't take long to make try the loomlove loop we used our diy metallic bands for the purple loop bracelet pictured above the metallic bands give it a great look

how to make loom bands for beginners gathered - Feb 03 2022

web feb 25 2022 in this article we'll show you how to make loom bands video guide for beginners how to make loom bands step by step 3 easy ways to make a bracelet we've picked two ways you can use your fingers while in the third we show you how to make rainbow loom bands using the rainbow loom where to buy loom bands

free bead loom patterns bracelet ideas cutesy crafts - Mar 16 2023

web jan 6 2021 to make these bead loom bracelets you'll need bead loom bracelet patterns instructions to download are at the bottom of this post bead loom beading needle came with loom thread glue slider clasps i used 1 2 inch sliders for 4 5 beads across and 1 inch sliders for 11 beads across jump rings and lobster clasps

instructions tutorials rainbow loom usa webstore - Jun 07 2022

web looking for a tutorial click on the product you're using and let's get started rainbow loom tutorial videos beginner intermediate advanced level videos alpha loom alpha loom patterns videos tips tricks monster tail instructional videos finger loom instructional videos hair loom studio instructional videos wrapit loom how to how to

let's make friendship bracelets with square loom printable - Aug 09 2022

web jan 29 2023 pencil or marker optional print our bracelet loom template see below printable square bracelet loom

template friendship loom pattern printable download you can make your own square loom pattern or quickly print our friendship loom pattern template and attach it to cardboard or foam board

manual del técnico superior de laboratorio de analisis clinicos - Dec 27 2021

web may 17 2004 manual del técnico superior de laboratorio de analisis clinicos modulo i e book volume 1 of módulo i publisher mad eduforma 2004 isbn 8466513744 9788466513746 export citation bibtex endnote refman

manual para tecnico superior de laboratorio clini pdf luis - Feb 09 2023

web jul 5 2023 manual del técnico superior de laboratorio de analisis clinicos modulo ii e book 2004 03 25 control de calidad en los laboratorios clínicos murali dharan 1980 el objetivo principal de este libro es ayudar a los miembros del equipo de los laboratorios clínicos a entender los diferentes aspectos de la calidad que se logra

download solutions manual para tecnico superior de laboratorio clini - Nov 06 2022

web manual para tecnico superior de laboratorio clini manual para técnico superior de laboratorio clínico y biomédico módulo iv fisiopatología general may 26 2021 técnico superior de imagen para el diagnostico modulo i aug 09 2022 manual del técnico superior en radioterapia módulo i jan 22 2021

manual para tecnico superior de laboratorio clinico - Oct 05 2022

web el libro manual para tecnico superior de laboratorio clinico y biomedico incluye version digital de francisco javie merida de la torre en casa del libro descubre las mejores ofertas y envíos gratis

manual para tecnico superior de laboratorio clini - Apr 30 2022

web manual del técnico superior de laboratorio de analisis clinicos modulo ii e book dec 28 2022 manual del técnico superior de laboratorio de análisis clínicos jun 09 2021 1989 oct 14 2021 técnico superior en educación infantil el juego infantil y su metodología pruebas libres aug 31 2020 manual del tecnico superior en higiene

manual para tecnico superior de laboratorio clinico - Feb 26 2022

web manual para técnico superior de laboratorio clínico y biomédico está dirigido a los técnicos especialistas de laboratorio que con la dirección de los facultativos trabajan para desarrollar todas las tecnologías actuales

manual para tecnico superior de laboratorio clinico y biomedico - Mar 10 2023

web manual pa a tecnico superior de laboratorio clinico y biomedico francisco javier mérida de la torre profesor de bioquímica nutrición centro universitario de enfermería de ronda universidad de Málaga jefe de servicio de laboratorio Área de gestión sanitaria de la serranía de Málaga elvira eva moreno campoy profesora de

manual para técnico superior de laboratorio clínico y biomédico - Jun 01 2022

web jan 1 2014 in book manual para técnico superior de laboratorio clínico y biomédico pp 734 753 edition 1ª ed 2014 chapter capítulo 55 conceptos generales de farmacología clínica y aplicaciones

manual para tecnico superior de laboratorio clini pdf - Dec 07 2022

web jun 21 2023 manual para técnico superior de laboratorio clínico y biomédico módulo iii biología molecular y citogénica francisco javier mérida de la torre bioquímica clínica y patología molecular

manual para tecnico superior de laboratorio clini pdf - Mar 30 2022

web mar 4 2023 manual para tecnico superior de laboratorio clini 1 7 downloaded from uniport edu ng on march 4 2023 by guest manual para tecnico superior de laboratorio clini as recognized adventure as without difficulty as experience virtually lesson amusement as skillfully as

descargar manual para tecnico superior de laboratorio clini - Apr 11 2023

web título manual para tecnico superior de laboratorio clini incluye e book digital clasificación 4 3 de 5 estrellas 27 valoraciones isbn 10 8491106898

manual para tecnico superior de laboratorio clini - Jun 13 2023

web la guía práctica para técnico superior de laboratorio de diagnóstico clínico y biomédico pretende ser una herramienta útil para los técnicos de laboratorio cuya labor permite manejar controlar y asegurarse de que el material en el laboratorio esté disponible técnico superior en laboratorio de diagnóstico clínico test del temario general

manual para tecnico superior de laboratorio clini incluye e book - Jul 02 2022

web manual para tecnico superior de laboratorio clini incluye e book digital Mérida de la torre francisco javier moreno campoy elvira eva 9788491106890 iberlibro

manual para tecnico superior de laboratorio clini richard - Sep 04 2022

web manual para tecnico superior de laboratorio clini is straightforward in our digital library an online permission to it is set as public suitably you can download it instantly our digital library

manual para técnico superior de laboratorio clínico y biomédico - Jan 28 2022

web manual para técnico superior de laboratorio clínico y biomédico material complementario ean 9788498354232 2015 1000 páginas agrupa en un solo volumen los módulos formativos del grado superior de técnico especialista en laboratorio clínico y

manual para tecnico superior de laboratorio clini incluye e book - Aug 15 2023

web manual para técnico superior de laboratorio clínico y biomédico está dirigido a los técnicos especialistas de laboratorio que con la dirección de los facultativos trabajan para desarrollar todas las tecnologías actuales

manual para tecnico superior de laboratorio clini - Jan 08 2023

web este libro está dirigido a los alumnos del ciclo formativo de grado superior que conduce a la obtención del título de técnico superior en laboratorio clínico y biomédico loe perteneciente a la familia profesional de sanidad al amparo del real

decreto 771 2014 de 12 de septiembre por el que se establece el título

manual para tecnico superior de laboratorio clini 2023 - May 12 2023

web manual para tecnico superior de laboratorio clini técnicas de análisis hematológicos dec 03 2019 este libro está dirigido a los alumnos del ciclo formativo de grado superior que conduce a la obtención del título de técnico superior en laboratorio clínico y biomédico loe

manual para técnico superior de laboratorio clínico y biomédico - Jul 14 2023

web manual para técnico superior de laboratorio clínico y biomédico está dirigido a los técnicos especialistas de laboratorio que con la dirección de los facultativos trabajan para desarrollar todas las tecnologías actuales

manual para tecnico superior de laboratorio clinico y - Aug 03 2022

web manual para tecnico superior de laboratorio clinico y biomedico uploaded by antonio cervantes 0 0 april 2023 pdf

bookmark download this document was uploaded by user and they confirmed that they have the permission to share it

This is likewise one of the factors by obtaining the soft documents of this **Engineering Graphics Essentials With Autocad 2013 Solutions** by online. You might not require more become old to spend to go to the ebook introduction as with ease as search for them. In some cases, you likewise do not discover the revelation Engineering Graphics Essentials With Autocad 2013 Solutions that you are looking for. It will certainly squander the time.

However below, next you visit this web page, it will be suitably entirely easy to acquire as capably as download lead Engineering Graphics Essentials With Autocad 2013 Solutions

It will not consent many become old as we tell before. You can accomplish it though do something something else at home and even in your workplace. so easy! So, are you question? Just exercise just what we offer under as without difficulty as evaluation **Engineering Graphics Essentials With Autocad 2013 Solutions** what you considering to read!

https://offsite.creighton.edu/files/virtual-library/Documents/kindergarten_math_assessment.pdf

https://offsite.creighton.edu/files/virtual-library/Documents/kleitz_tax_services.pdf

https://offsite.creighton.edu/files/virtual-library/Documents/kate_kinsella_academic_vocabulary_toolkit_pdf.pdf

Table of Contents Engineering Graphics Essentials With Autocad 2013 Solutions

1. Understanding the eBook Engineering Graphics Essentials With Autocad 2013 Solutions
 - The Rise of Digital Reading Engineering Graphics Essentials With Autocad 2013 Solutions
 - Advantages of eBooks Over Traditional Books
2. Identifying Engineering Graphics Essentials With Autocad 2013 Solutions
 - Exploring Different Genres
 - Considering Fiction vs. Non-Fiction

- Determining Your Reading Goals
- 3. Choosing the Right eBook Platform
 - Popular eBook Platforms
 - Features to Look for in an Engineering Graphics Essentials With Autocad 2013 Solutions
 - User-Friendly Interface
- 4. Exploring eBook Recommendations from Engineering Graphics Essentials With Autocad 2013 Solutions
 - Personalized Recommendations
 - Engineering Graphics Essentials With Autocad 2013 Solutions User Reviews and Ratings
 - Engineering Graphics Essentials With Autocad 2013 Solutions and Bestseller Lists
- 5. Accessing Engineering Graphics Essentials With Autocad 2013 Solutions Free and Paid eBooks
 - Engineering Graphics Essentials With Autocad 2013 Solutions Public Domain eBooks
 - Engineering Graphics Essentials With Autocad 2013 Solutions eBook Subscription Services
 - Engineering Graphics Essentials With Autocad 2013 Solutions Budget-Friendly Options
- 6. Navigating Engineering Graphics Essentials With Autocad 2013 Solutions eBook Formats
 - ePub, PDF, MOBI, and More
 - Engineering Graphics Essentials With Autocad 2013 Solutions Compatibility with Devices
 - Engineering Graphics Essentials With Autocad 2013 Solutions Enhanced eBook Features
- 7. Enhancing Your Reading Experience
 - Adjustable Fonts and Text Sizes of Engineering Graphics Essentials With Autocad 2013 Solutions
 - Highlighting and Note-Taking Engineering Graphics Essentials With Autocad 2013 Solutions
 - Interactive Elements Engineering Graphics Essentials With Autocad 2013 Solutions
- 8. Staying Engaged with Engineering Graphics Essentials With Autocad 2013 Solutions
 - Joining Online Reading Communities
 - Participating in Virtual Book Clubs
 - Following Authors and Publishers Engineering Graphics Essentials With Autocad 2013 Solutions
- 9. Balancing eBooks and Physical Books Engineering Graphics Essentials With Autocad 2013 Solutions
 - Benefits of a Digital Library
 - Creating a Diverse Reading Collection Engineering Graphics Essentials With Autocad 2013 Solutions
- 10. Overcoming Reading Challenges
 - Dealing with Digital Eye Strain

- Minimizing Distractions
- Managing Screen Time
- 11. Cultivating a Reading Routine Engineering Graphics Essentials With Autocad 2013 Solutions
 - Setting Reading Goals Engineering Graphics Essentials With Autocad 2013 Solutions
 - Carving Out Dedicated Reading Time
- 12. Sourcing Reliable Information of Engineering Graphics Essentials With Autocad 2013 Solutions
 - Fact-Checking eBook Content of Engineering Graphics Essentials With Autocad 2013 Solutions
 - Distinguishing Credible Sources
- 13. Promoting Lifelong Learning
 - Utilizing eBooks for Skill Development
 - Exploring Educational eBooks
- 14. Embracing eBook Trends
 - Integration of Multimedia Elements
 - Interactive and Gamified eBooks

Engineering Graphics Essentials With Autocad 2013 Solutions Introduction

Engineering Graphics Essentials With Autocad 2013 Solutions Offers over 60,000 free eBooks, including many classics that are in the public domain. Open Library: Provides access to over 1 million free eBooks, including classic literature and contemporary works. Engineering Graphics Essentials With Autocad 2013 Solutions Offers a vast collection of books, some of which are available for free as PDF downloads, particularly older books in the public domain. Engineering Graphics Essentials With Autocad 2013 Solutions : This website hosts a vast collection of scientific articles, books, and textbooks. While it operates in a legal gray area due to copyright issues, its a popular resource for finding various publications. Internet Archive for Engineering Graphics Essentials With Autocad 2013 Solutions : Has an extensive collection of digital content, including books, articles, videos, and more. It has a massive library of free downloadable books. Free-eBooks Engineering Graphics Essentials With Autocad 2013 Solutions Offers a diverse range of free eBooks across various genres. Engineering Graphics Essentials With Autocad 2013 Solutions Focuses mainly on educational books, textbooks, and business books. It offers free PDF downloads for educational purposes. Engineering Graphics Essentials With Autocad 2013 Solutions Provides a large selection of free eBooks in different genres, which are available for download in various formats, including PDF. Finding specific Engineering Graphics Essentials With Autocad 2013 Solutions, especially related to Engineering Graphics Essentials With Autocad 2013 Solutions, might be challenging as theyre often artistic creations rather than practical

blueprints. However, you can explore the following steps to search for or create your own Online Searches: Look for websites, forums, or blogs dedicated to Engineering Graphics Essentials With Autocad 2013 Solutions, Sometimes enthusiasts share their designs or concepts in PDF format. Books and Magazines Some Engineering Graphics Essentials With Autocad 2013 Solutions books or magazines might include. Look for these in online stores or libraries. Remember that while Engineering Graphics Essentials With Autocad 2013 Solutions, sharing copyrighted material without permission is not legal. Always ensure youre either creating your own or obtaining them from legitimate sources that allow sharing and downloading. Library Check if your local library offers eBook lending services. Many libraries have digital catalogs where you can borrow Engineering Graphics Essentials With Autocad 2013 Solutions eBooks for free, including popular titles. Online Retailers: Websites like Amazon, Google Books, or Apple Books often sell eBooks. Sometimes, authors or publishers offer promotions or free periods for certain books. Authors Website Occasionally, authors provide excerpts or short stories for free on their websites. While this might not be the Engineering Graphics Essentials With Autocad 2013 Solutions full book , it can give you a taste of the authors writing style. Subscription Services Platforms like Kindle Unlimited or Scribd offer subscription-based access to a wide range of Engineering Graphics Essentials With Autocad 2013 Solutions eBooks, including some popular titles.

FAQs About Engineering Graphics Essentials With Autocad 2013 Solutions Books

What is a Engineering Graphics Essentials With Autocad 2013 Solutions PDF? A PDF (Portable Document Format) is a file format developed by Adobe that preserves the layout and formatting of a document, regardless of the software, hardware, or operating system used to view or print it. **How do I create a Engineering Graphics Essentials With Autocad 2013 Solutions PDF?** There are several ways to create a PDF: Use software like Adobe Acrobat, Microsoft Word, or Google Docs, which often have built-in PDF creation tools. Print to PDF: Many applications and operating systems have a "Print to PDF" option that allows you to save a document as a PDF file instead of printing it on paper. Online converters: There are various online tools that can convert different file types to PDF. **How do I edit a Engineering Graphics Essentials With Autocad 2013 Solutions PDF?** Editing a PDF can be done with software like Adobe Acrobat, which allows direct editing of text, images, and other elements within the PDF. Some free tools, like PDFescape or Smallpdf, also offer basic editing capabilities. **How do I convert a Engineering Graphics Essentials With Autocad 2013 Solutions PDF to another file format?** There are multiple ways to convert a PDF to another format: Use online converters like Smallpdf, Zamzar, or Adobe Acrobats export feature to convert PDFs to formats like Word, Excel, JPEG, etc. Software like Adobe Acrobat, Microsoft Word, or other PDF editors may have options to export or save PDFs in different formats. **How do I**

password-protect a Engineering Graphics Essentials With Autocad 2013 Solutions PDF? Most PDF editing software allows you to add password protection. In Adobe Acrobat, for instance, you can go to "File" -> "Properties" -> "Security" to set a password to restrict access or editing capabilities. Are there any free alternatives to Adobe Acrobat for working with PDFs? Yes, there are many free alternatives for working with PDFs, such as: LibreOffice: Offers PDF editing features. PDFsam: Allows splitting, merging, and editing PDFs. Foxit Reader: Provides basic PDF viewing and editing capabilities. How do I compress a PDF file? You can use online tools like Smallpdf, ILovePDF, or desktop software like Adobe Acrobat to compress PDF files without significant quality loss. Compression reduces the file size, making it easier to share and download. Can I fill out forms in a PDF file? Yes, most PDF viewers/editors like Adobe Acrobat, Preview (on Mac), or various online tools allow you to fill out forms in PDF files by selecting text fields and entering information. Are there any restrictions when working with PDFs? Some PDFs might have restrictions set by their creator, such as password protection, editing restrictions, or print restrictions. Breaking these restrictions might require specific software or tools, which may or may not be legal depending on the circumstances and local laws.

Find Engineering Graphics Essentials With Autocad 2013 Solutions :

[kindergarten math assessment](#)

[kleitz tax services](#)

[kate kinsella academic vocabulary toolkit pdf](#)

[killer moon book](#)

knock knock jokes dinosaur

[key themes of lord of the flies](#)

[kidney labeled diagram](#)

king james women's study bible

[kat kerr heaven youtube](#)

lab safety picture

kelly coryell all lives matter

[king air c 12](#)

laminectomy icd 10

korean common phrases

[la cuisse de jupiter](#)

Engineering Graphics Essentials With Autocad 2013 Solutions :