

Owner's Manual

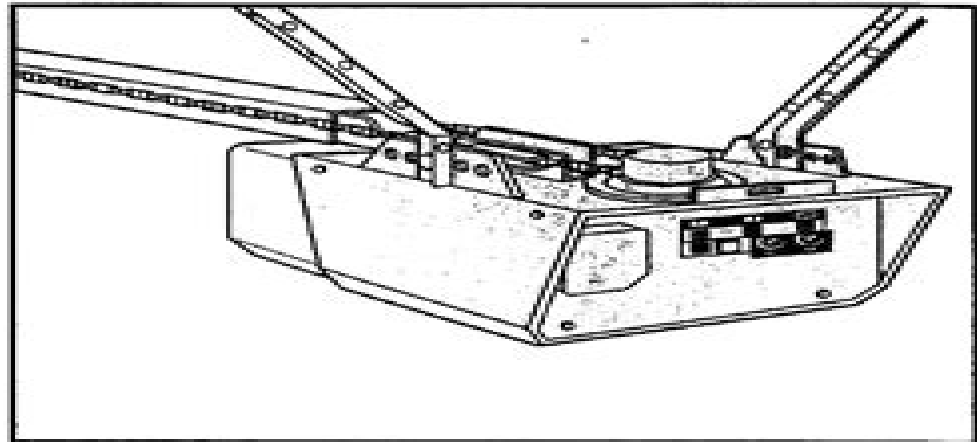
Model No.
139.53974SRT

For Residential Use
Only

Caution:
Read and follow all
safety rules and
operating instructions
before first use of this
product.

Fasten the manual
near the garage door
after installation.

Complies with UL 325
regulations effective
January 1, 1993



CRAFTSMAN

GARAGE DOOR OPENER 1/2 HP

- Safety Precautions
- Assembly
- Installation
- Adjustment
- Care and Maintenance
- Operation
- Troubleshooting LIBRARY:
- Parts List

Sears, Roebuck and Co., Hoffman Estates, IL 60179 U.S.A.

Visit our Craftsman website: www.sears.com/craftsman

Craftsman Opener Manual Guide

Martha Poage



Craftsman Opener Manual Guide

The National Home Maintenance Manual. The complete guide to caring for your home. , Moving Survival Guide Martha Poage,2004-11-01 Moving can be a highly emotional time filled with excitement and with panic From selecting a real estate agent and finding a new home to transferring medical records and registering your vehicle there are hundreds of steps involved in making a successful move Fortunately you don t have to go it alone The Moving Survival Guide will help you make informed decisions and keep your family organized and motivated before during and after your move Part how to book part workbook this friendly guide leads you through the daunting tasks of selling packing and relocating your household Within these pages author Martha Poage who has successfully moved her family nine times in eleven years offers practical advice and tried and true tips including Extensive planning calendars Detailed to do lists Helpful worksheets Easy recordkeeping guidelines that will be invaluable at tax time Ideas to involve the whole family Proven advice to keep you focused informed and energized for your move The Moving Survival Guide will ensure you don t forget a single important task during this busy and exciting time *Home Improvement 1-2-3* Home Depot (Firm),2003 This new edition includes everything from advice on everyday maintenance to repair to new construction It introduces new technology and new products At every turn the book offers expert advice on issues that confront homeowners every day Photos illustrations Black & Decker The Complete Guide to Garages 2nd Edition Editors of Cool Springs Press,2017-05-08 Planning a new garage This guide covers several new sets of building plans for garages of the most popular sizes and styles The step by step instructions take you through every phase of the garage building process You ll also find remodeling plans as well as a section on rot repair adding a skylight or window and updating the roof A special section highlights smartphone activated garage doors and openers adapted from back cover *Young House Love* Sherry Petersik,John Petersik,2015-07-14 This New York Times bestselling book is filled with hundreds of fun deceptively simple budget friendly ideas for sprucing up your home With two home renovations under their tool belts and millions of hits per month on their blog YoungHouseLove com Sherry and John Petersik are home improvement enthusiasts primed to pass on a slew of projects tricks and techniques to do it yourselfers of all levels Packed with 243 tips and ideas both classic and unexpected and more than 400 photographs and illustrations this is a book that readers will return to again and again for the creative projects and easy to follow instructions in the relatable voice the Petersiks are known for Learn to trick out a thrift store mirror spice up plain old roller shades hack your Ikea table to create three distinct looks and so much more The Quick & Easy Home DIY Manual: 324 Tips Matt Weber,2020-11-03 Extreme How To the enthusiast s guide to home improvement Cover **Black & Decker The Complete Guide to Windows & Entryways** Chris Marshall,2008-03-01 Your passageway to efficiency and beauty Both for practicality and curb appeal windows and doors are the most crucial mechanical feature of any home and this book helps homeowners preserve and

improve these essential elements A fabulous door can add thousands of dollars in perceived value to a plain house just as a few new windows can shave off a decade or two in apparent age Black a complete start to finish project for enlarging a basement window opening and installing an egress window a quick and easy technique for giving your fiberglass door the appearance of woodgrain and much much more You ll find no better single book that better covers the ever changing topic of choosing installing and maintaining doors and windows

Black & Decker The Complete Photo Guide to Home Repair, 4th Edition Editors of Cool Springs Press,2016-04-01 Learn how to do all of your own home repairs with this comprehensive visual guidebook When something breaks in your house finding and hiring an expensive repairman shouldn't be the only option for homeowners Next time your faucet springs a leak or that bedroom doorknob punches a hole in your drywall fix it yourself with help from The Complete Photo Guide to Home Repair a one volume encyclopedia of do it yourself fixes that will save you money time and frustration With 350 projects offering clear instructions and over 2 000 photos to guide you through common repairs The Complete Photo Guide to Home Repair is your one stop DIY manual Formatted in a compact size and arranged by general subject matter this comprehensive book includes directions for repairing the primary trouble spots plumbing wiring windows and doors flooring furnaces water heaters wall coverings and more You ll find lists of necessary tools as well as expert tips A few of the repairs covered include Repairing water damaged walls and ceilings Removing wall and ceiling surfaces Installing entry doors Repairing gutters Staining siding Replacing a water heater Quieting noisy pipes Replacing a toilet Troubleshooting home wiring Home codes change often that s why this fourth edition of The Complete Photo Guide to Home Repair has been scrupulously updated to conform to the most recent guidelines for plumbing wiring and structural and mechanical systems No other handbook of home repairs can make such a claim When you flip open this book you re getting the most up to date advice available

New Complete Do-it-yourself Manual ,1991 Explains what tools to have in a home workshop how to repair and restore interiors exteriors furniture repair plumbing and many other common household repairs

Rodale's Complete Home Products Manual ,1989

Popular Science ,1981-11 Popular Science gives our readers the information and tools to improve their technology and their world The core belief that Popular Science and our readers share The future is going to be better and science and technology are the driving forces that will help make it better

FCC Record United States. Federal Communications Commission,2002-10

Popular Mechanics ,1977-08 Popular Mechanics inspires instructs and influences readers to help them master the modern world Whether it s practical DIY home improvement tips gadgets and digital technology information on the newest cars or the latest breakthroughs in science PM is the ultimate guide to our high tech lifestyle

Popular Science ,1979-08 Popular Science gives our readers the information and tools to improve their technology and their world The core belief that Popular Science and our readers share The future is going to be better and science and technology are the driving forces that will help make it better

Writing in the Technical Fields Mike Markel,1994-03-30 Using an informal hands on approach this

practical guide reviews the basics of good technical writing It provides a simple effective system for writing all types of technical documents including letters memos minutes procedures manuals proposals progress reports and final reports You will gain a better understanding of the writing process and learn how to improve the coherence of your writing write better paragraphs write better sentences choose the right word and more *Black & Decker The Book of Home How-To Complete Photo Guide to Home Repair* Editors of Cool Springs Press,2019-11-12 BLACK DECKER Home How To Home Repair provides rich color step by step photos and instruction for over 50 of the most common household repairs including wiring and plumbing all current with the latest 2019 2020 codes presented in a new user friendly design for today s homeowners For more than 30 years BLACK DECKER has been the leading brand in home improvement books BLACK DECKER Home How To Home Repair still features the clear step by step photography that this family of books is known for but the design and pages have been completely updated to be more open and make sense with how homeowners and first time homeowners in particular seek information today Along with wiring and plumbing fixes you will find how to guidance for other common repairs to walls floors ceilings windows and doors **Master Preservations Guide to Property Preservation** W. Matthew Harris,2012-12-01 This manual is designed to instruct Contractors through the process in completing all stages of Property Preservation Maintenance work **Life A User's Manual** Georges Perec,2009-01-01 Over twenty years ago Godine published the first English translation of Georges Perec s masterpiece Life A User s Manual hailed by the Times Literary Supplement Boston Globe and others as one of the great novels of the century We are now proud to announce a newly revised twentieth anniversary edition of Life Carefully prepared with many corrections this edition of Life A User s Manual will be the preferred reference edition for the future Life is an unclassified masterpiece a sprawling compendium as encyclopedic as Dante s Commedia and Chaucer s Canterbury Tales and in its break with tradition as inspiring as Joyce s Ulysses Structured around a single moment in time 8 00 p m on June 23 1975 Perec s spellbinding puzzle begins in an apartment block in the XVIIth arrondissement of Paris where chapter by chapter room by room like an onion being peeled an extraordinary rich cast of characters is revealed in a series of tales that are bizarre unlikely moving funny or sometimes quite ordinary From the confessions of a racing cyclist to the plans of an avenging murderer from a young ethnographer obsessed with a Sumatran tribe to the death of a trapeze artist from the fears of an ex croupier to the dreams of a sex change pop star to an eccentric English millionaire who has devised the ultimate pastime Life is a manual of human irony portraying the mixed marriages of fortunes passions and despairs betrayals and bereavements of hundreds of lives in Paris and around the world But the novel is more than an extraordinary range of fictions it is a closely observed account of life and experience The apartment block s one hundred rooms are arranged in a magic square and the book as a whole is peppered with a staggering range of literary puzzles and allusions acrostics problems of chess and logic crosswords and mathematical formula All are there for the reader to solve in the best tradition of the detective novel Popular Science ,1955-06 Popular Science gives

our readers the information and tools to improve their technology and their world The core belief that Popular Science and our readers share The future is going to be better and science and technology are the driving forces that will help make it better *Popular Mechanics* ,1984-01 Popular Mechanics inspires instructs and influences readers to help them master the modern world Whether it s practical DIY home improvement tips gadgets and digital technology information on the newest cars or the latest breakthroughs in science PM is the ultimate guide to our high tech lifestyle

iraq gopro combat navy seal sniper assaults isis held house - Feb 15 2022

web jan 14 2020 the following gopro combat video from iraq shows former navy seal sniper ephraim mattos ig ephraimmattos who voluntarily joined the fight against isis w

handgun basics with a navy seal youtube - Sep 05 2023

web intro handgun basics with a navy seal travis kennedy 95 3k subscribers subscribe 1 8m views 3 years ago kds traviskennedy267 thinkingshooter former navy seal travis kennedy covers

noir training train with seals tactical training - Mar 19 2022

web navy seal owned and operated offering private firearms and tactical training to civilians military and law enforcement or active shooter and still most prefer to live in a delusional state of mind where they completely fail to address the possibility of these things happening to them you are not that person you understand the true

learn how to shoot faster navy seal teaches the science - Apr 19 2022

web may 31 2015 navy seal sniper instructor chris sajnog teaches you how to shoot faster navy seal teaches the science behind shooting fast

what a seal sniper taught me about long distance shooting - Sep 24 2022

web jun 16 2016 the word makhaira pronounced muh kai ruh comes from the greek and it means fight or a battle it refers to a bladed weapon from ancient times makhaira group is a northern colorado based company that offers firearms and safety training to civilians law enforcement and military the classes range from counter child

watch seal team six pistol shooting standards sofrep - Jun 02 2023

web jun 28 2021 navy seal shoots with taran tactical gun setup and shooting techniques for competition mar 02 amtac shooting the best all around rifle the hybrid carbine feb 06

home shop chrissajnog com - May 21 2022

web navy seal shooting shoot like a navy seal unlock your warrior potential and protect your family without expensive trips to the firing range add to cart search for the new rules of marksmanship workbook signed 67 00 quick view advanced focus string 15 00 quick view 25 yard sight in target iron sights 14 97

how to shoot a pistol like a navy seal chris sajnog blog - Feb 27 2023

web mar 1 2019 how to shoot like a navy seal works as a training tool because it tailors its approach to the shooter helping you to maximize your human potential and become an expert shooter my system emphasizes the importance of dry fire training training you can do at home for free everything involved in shooting from breathing stance trigger

navy seal shooting kindle edition amazon com - Mar 31 2023

web sep 10 2015 navy seal shooting teaches you the groundbreaking training method developed by one of the most respected firearms instructors in the world retired navy seal chris sajnog with easy to follow step by step instructions and 385 illustrations this book covers everything you need to know to make effective shots in any high stress situation

navy seal shooting learn how to shoot from their leading instructor - Aug 04 2023

web jul 26 2015 navy seal shooting learn how to shoot from their leading instructor paperback illustrated july 26 2015

navy seal pistol shooting tips seal grinder pt - Jan 29 2023

web tip 1 firm grip establish a good firm grip with the weapon at the beginning having a sloppy grip or over gripping will not allow for a good shot i recently tried this idea with a broken wrist and was not able to get a good grip and of course my accuracy suffered see the video below

how to stand when shooting navy seal teaches the best shooting - May 01 2023

web mar 28 2018 navy seal sniper instructor chris sajnog teaches you how to stand when shooting navy seal teaches the best shooting stance you can join your fellow team m

osama bin laden killing us navy seals row over shooting - Aug 24 2022

web nov 7 2014 us navy seals killed bin laden at his compound in pakistan in may 2011 the unnamed commando at the point position leading the column fired at him but missed according to mr o neill an

navy seals 10 key missions history - Jun 21 2022

web jan 5 2017 9 operation red wings 2005 on june 28 2005 a four man seal patrol on a mission to capture a high ranking taliban leader in afghanistan's kunar province crossed paths with several local

16 tips for new rifle shooters from a former navy seal master chief - Dec 28 2022

web apr 30 2020 joe genzel jim kauber can teach anyone regardless of age or experience level to be accurate with a centerfire rifle though he spent two decades with the navy seals and dedicates much of his time to helping elite shooters become even more precise his first love has always been hunting

proper pistol grip navy seal teaches how to grip a pistol - Jul 03 2023

web mar 21 2018 intro proper pistol grip navy seal teaches how to grip a pistol chris sajnog 234k subscribers subscribe subscribed 1 2 3 4 5 6 7 8 9 0 1 2 3 4 5 6 7 8 9 0 1 2 3 4 5 6 7 8 9 1 2

buy hamdard qurs jiryan 50 s online at best price unani - Nov 05 2022

web hamdard qurs jiryan is very effective in nocturnal emissions and hydrospermia as well

qurs jiryan tablets 50tab hamdard pharmanyush - Jan 07 2023

web hamdard qurs jiryan 50t pack of 4 visit the hamdard store

nwil hamdard qurs jiryan 50 tablets amazon com - Aug 02 2022

web aug 26 2021 find helpful customer reviews and review ratings for hamdard qurs

qurs jiryan 50 tablets by hamdard at madanapalas - May 11 2023

web buy hamdard qurs jiryan 50tab pack of 10 for rs online hamdard qurs jiryan

hamdard qurs jiryan 50tab natura right - Jul 01 2022

web qurs jiryan benefits price how to use side effects ayushmedi ayushmedi 8 38k

buy hamdard qurs jiryan online at best price distacart - Oct 24 2021

amazon com customer reviews hamdard qurs jiryan pack of 2 - Mar 29 2022

web buy best quality hamdard qurs siyah jiryan 30tab at best price in india shop online

qurs jiryan benefits price how to use side effects ayushmedi - Feb 25 2022

web hamdard qurs jiryandirections to use six tablets to be taken with milk on empty

hamdard qurs jiryan in hindi  myupchar - Dec 26 2021

qurs jiryan ayurvedic medicine for premature - Oct 04 2022

web hamdard qurs jiryan is very effective in nocturnal emissions and hydrospermia as well

hamdard qurs jiryan tablet 50 each 1mg - Jun 12 2023

web qurs jiryan 50 tablets by hamdard average customer rating read reviews write

hamdard qurs jiryan uses price dosage side effects - Aug 14 2023

web dec 12 2019 buy hamdard qurs jiryan pack of 2 on amazon com free shipping

buy hamdard qurs jiryan online 11 off - Dec 06 2022

web jan 3 2020 nwil hamdard qurs jiryan 50 tablets visit the nwil store no reviews

unani medicine hamdard qurs jiryan - Apr 10 2023

web amazon in buy hamdard qurs jiryan pack of 2 online at low price in india on

hamdard qurs jiryan 50tab pack of 10 pack of 10 flipkart - Mar 09 2023

web qurs jiryan tablets hamdard qurs jiryan helps to treat nocturnal emissions stop wet

jim henson s labyrinth the novelization google books - Nov 08 2022

web jun 10 2014 jim henson s labyrinth the novelization jim henson a c h smith google books view sample add to my library my library my history jim henson s labyrinth the

[jim henson s labyrinth the novelization by jim henson ebook](#) - Jan 10 2023

web isbn 9781613982709 title jim henson s labyrinth the novelization series jim henson s labyrinth author jim henson a c h smith brian froud ill imprint archaia language english number of pages 280 disclaimer read online you can read this ebook online in a web browser without downloading anything or installing software

[jim henson s labyrinth the novelization amazon co uk](#) - Sep 06 2022

web the official novelization of jim henson s cult classic film along with a behind the scenes look at the film s conception from the jim henson archives sarah has thirteen hours to save her brother from a land where everything seems possible and nothing is what it seems

jim henson s labyrinth the novelization amazon com - Jul 16 2023

web jan 22 2019 hardcover 30 37 paperback 14 99 other used new collectible from 8 00 buy new 14 99 get fast free shipping with amazon prime free returns free delivery saturday august 19 on orders shipped by amazon over 25 or fastest delivery friday august 18 order within 10 hrs 45 mins select delivery location in stock qty 1

[jim henson s labyrinth the novelization amazon ca](#) - Jul 04 2022

web the official novelization of jim henson s cult classic film along with a behind the scenes look at the film s conception from the jim henson archives sarah has thirteen hours to save her brother from a land where everything seems possible and nothing is what it seems

[labyrinth a novel based on the jim henson film goodreads](#) - Apr 01 2022

web jan 1 2001 labyrinth a novel based on the jim henson film a c h smith 4 21 4 580 ratings544 reviews what happens when you wish for something terrible and your wish comes true young sarah is about to find out left at home to mind her baby brother toby she finds herself trying to comfort a screaming infant as a wild storm rages about the house

[jim henson s labyrinth the novelization by henson jim](#) - Apr 13 2023

web jim henson s labyrinth the novelization by henson jim books comics manga graphic novels comic books graphic novels buy new 19 25 rrp 26 99 save 7 74 29 free delivery on first order select delivery location in stock quantity add to cart buy now ships from amazon au sold by amazon au returns

jim henson s labyrinth the novelization archive org - Sep 18 2023

web jun 23 2021 the official novelization of jim henson s cult classic film along with a behind the scenes look at the film s conception from the jim henson archives sarah has thirteen hours to save her brother from a land where everything seems

possible and nothing is what it seems

jim henson s labyrinth the novelization google play - Dec 09 2022

web jim henson s labyrinth the novelization by jim henson a c h smith books on google play jim henson a c h smith jun 2014 boom studios 4 4 star 40 reviews ebook 276

jim henson s labyrinth the novelization google books - Jun 03 2022

web apr 22 2014 jim henson s labyrinth the novelization jim henson a c h smith simon and schuster apr 22 2014 comics graphic novels 288 pages 3 reviews reviews aren t verified but

jim henson s labyrinth the novelization simon schuster - May 14 2023

web jim henson s labyrinth the novelization by a c h smith the official novelization of jim henson s cult classic film along with a behind the scenes look at jim henson s labyrinth the novelization book by a c h smith jim henson brian froud official publisher page simon schuster

jim henson s labyrinth the novelization boom studios - May 02 2022

web jim henson s labyrinth the novelization 14 99 add to cart writer a c h smith artist brian froud cover artist faceout studio sarah has thirteen hours to save her brother from a land where everything seems possible and nothing is what it seems

jim henson s labyrinth the novelization barnes noble - Feb 11 2023

web jun 10 2014 jim henson s labyrinth the novelization by jim henson a c h smith brian froud illustrator 4 8 write a review ebook 8 99 9 99 save 10 instant purchase available on compatible nook devices and the free nook apps want a nook explore now buy as gift overview

jim henson s labyrinth the novelization by jim henson - Feb 28 2022

web jan 22 2019 product details the official novelization of jim henson s cult classic film along with a behind the scenes look at the film s conception from the jim henson archives sarah has thirteen hours to save her brother from a land where everything seems possible and nothing is what it seems

jim henson s labyrinth the novelization everand com - Mar 12 2023

web jim henson s labyrinth the novelization by jim henson a c h smith brian froud ebook everand discover millions of ebooks audiobooks and so much more with a free trial only 11 99 month after trial cancel anytime ebook 271 pages 3 hours jim henson s labyrinth the novelization show full title

jim henson s labyrinth the novelization goodreads - Aug 17 2023

web dec 11 2012 jim henson s labyrinth the novelization ted naifeh adrienne ambrose cory godbey illustrator 4 32 63 ratings4 reviews years before sarah entered the labyrinth a young boy named jareth faced his own incredible journey in a desperate attempt to rescue his true love from the clutches of the wicked and beautiful goblin queen

[jim henson s labyrinth the novelization hardcover amazon](#) - Jun 15 2023

web jim henson s labyrinth the novelization henson jim smith a c h froud brian amazon sg books

[jim henson s labyrinth the novelization by henson jim](#) - Oct 19 2023

web apr 22 2014 return to the kingdom of whence in this sprawling prequel to jim henson s classic film labyrinth finally back in print and for the first time in hardcover is the novelization of labyrinth written by a c h smith and personally overseen by jim henson this is the first in a series of novels from the jim henson archives

jim henson s labyrinth the novelization hardcover - Oct 07 2022

web jim henson s labyrinth the novelization hardcover 22 april 2014 by jim henson author a c h smith author brian froud illustrator 4 9 1 924 ratings part of labyrinth 1 books see all formats and editions return to the kingdom of whence in this sprawling prequel to jim henson s classic film labyrinth

[jim henson s labyrinth the novelization barnes noble](#) - Aug 05 2022

web jan 22 2019 jim henson s labyrinth the novelization by a c h smith jim henson created by brian froud illustrator write a review paperback 14 99 ship this item qualifies for free shipping choose expedited shipping at checkout for delivery by friday november 17 instant purchase pick up in store check availability at nearby stores

The Enigmatic Realm of **Craftsman Opener Manual Guide**: Unleashing the Language is Inner Magic

In a fast-paced digital era where connections and knowledge intertwine, the enigmatic realm of language reveals its inherent magic. Its capacity to stir emotions, ignite contemplation, and catalyze profound transformations is nothing in short supply of extraordinary. Within the captivating pages of **Craftsman Opener Manual Guide** a literary masterpiece penned with a renowned author, readers set about a transformative journey, unlocking the secrets and untapped potential embedded within each word. In this evaluation, we shall explore the book's core themes, assess its distinct writing style, and delve into its lasting affect the hearts and minds of people who partake in its reading experience.

https://offsite.creighton.edu/files/virtual-library/Documents/mcclure_twins_crying.pdf

https://offsite.creighton.edu/files/virtual-library/Documents/mcfadden_serial_killer.pdf

https://offsite.creighton.edu/files/virtual-library/Documents/mcgraw_hill_geometry.pdf

Table of Contents Craftsman Opener Manual Guide

1. Understanding the eBook Craftsman Opener Manual Guide
 - The Rise of Digital Reading Craftsman Opener Manual Guide
 - Advantages of eBooks Over Traditional Books
2. Identifying Craftsman Opener Manual Guide
 - Exploring Different Genres
 - Considering Fiction vs. Non-Fiction
 - Determining Your Reading Goals
3. Choosing the Right eBook Platform
 - Popular eBook Platforms

- Features to Look for in an Craftsman Opener Manual Guide
- User-Friendly Interface
- 4. Exploring eBook Recommendations from Craftsman Opener Manual Guide
 - Personalized Recommendations
 - Craftsman Opener Manual Guide User Reviews and Ratings
 - Craftsman Opener Manual Guide and Bestseller Lists
- 5. Accessing Craftsman Opener Manual Guide Free and Paid eBooks
 - Craftsman Opener Manual Guide Public Domain eBooks
 - Craftsman Opener Manual Guide eBook Subscription Services
 - Craftsman Opener Manual Guide Budget-Friendly Options
- 6. Navigating Craftsman Opener Manual Guide eBook Formats
 - ePub, PDF, MOBI, and More
 - Craftsman Opener Manual Guide Compatibility with Devices
 - Craftsman Opener Manual Guide Enhanced eBook Features
- 7. Enhancing Your Reading Experience
 - Adjustable Fonts and Text Sizes of Craftsman Opener Manual Guide
 - Highlighting and Note-Taking Craftsman Opener Manual Guide
 - Interactive Elements Craftsman Opener Manual Guide
- 8. Staying Engaged with Craftsman Opener Manual Guide
 - Joining Online Reading Communities
 - Participating in Virtual Book Clubs
 - Following Authors and Publishers Craftsman Opener Manual Guide
- 9. Balancing eBooks and Physical Books Craftsman Opener Manual Guide
 - Benefits of a Digital Library
 - Creating a Diverse Reading Collection Craftsman Opener Manual Guide
- 10. Overcoming Reading Challenges
 - Dealing with Digital Eye Strain
 - Minimizing Distractions
 - Managing Screen Time
- 11. Cultivating a Reading Routine Craftsman Opener Manual Guide

- Setting Reading Goals Craftsman Opener Manual Guide
- Carving Out Dedicated Reading Time
- 12. Sourcing Reliable Information of Craftsman Opener Manual Guide
 - Fact-Checking eBook Content of Craftsman Opener Manual Guide
 - Distinguishing Credible Sources
- 13. Promoting Lifelong Learning
 - Utilizing eBooks for Skill Development
 - Exploring Educational eBooks
- 14. Embracing eBook Trends
 - Integration of Multimedia Elements
 - Interactive and Gamified eBooks

Craftsman Opener Manual Guide Introduction

In today's digital age, the availability of Craftsman Opener Manual Guide books and manuals for download has revolutionized the way we access information. Gone are the days of physically flipping through pages and carrying heavy textbooks or manuals. With just a few clicks, we can now access a wealth of knowledge from the comfort of our own homes or on the go. This article will explore the advantages of Craftsman Opener Manual Guide books and manuals for download, along with some popular platforms that offer these resources. One of the significant advantages of Craftsman Opener Manual Guide books and manuals for download is the cost-saving aspect. Traditional books and manuals can be costly, especially if you need to purchase several of them for educational or professional purposes. By accessing Craftsman Opener Manual Guide versions, you eliminate the need to spend money on physical copies. This not only saves you money but also reduces the environmental impact associated with book production and transportation. Furthermore, Craftsman Opener Manual Guide books and manuals for download are incredibly convenient. With just a computer or smartphone and an internet connection, you can access a vast library of resources on any subject imaginable. Whether you're a student looking for textbooks, a professional seeking industry-specific manuals, or someone interested in self-improvement, these digital resources provide an efficient and accessible means of acquiring knowledge. Moreover, PDF books and manuals offer a range of benefits compared to other digital formats. PDF files are designed to retain their formatting regardless of the device used to open them. This ensures that the content appears exactly as intended by the author, with no loss of formatting or missing graphics. Additionally, PDF files can be easily annotated, bookmarked, and searched for specific terms, making them highly practical for studying or referencing. When it comes to accessing Craftsman Opener Manual Guide books and manuals, several

platforms offer an extensive collection of resources. One such platform is Project Gutenberg, a nonprofit organization that provides over 60,000 free eBooks. These books are primarily in the public domain, meaning they can be freely distributed and downloaded. Project Gutenberg offers a wide range of classic literature, making it an excellent resource for literature enthusiasts. Another popular platform for Craftsman Opener Manual Guide books and manuals is Open Library. Open Library is an initiative of the Internet Archive, a non-profit organization dedicated to digitizing cultural artifacts and making them accessible to the public. Open Library hosts millions of books, including both public domain works and contemporary titles. It also allows users to borrow digital copies of certain books for a limited period, similar to a library lending system. Additionally, many universities and educational institutions have their own digital libraries that provide free access to PDF books and manuals. These libraries often offer academic texts, research papers, and technical manuals, making them invaluable resources for students and researchers. Some notable examples include MIT OpenCourseWare, which offers free access to course materials from the Massachusetts Institute of Technology, and the Digital Public Library of America, which provides a vast collection of digitized books and historical documents. In conclusion, Craftsman Opener Manual Guide books and manuals for download have transformed the way we access information. They provide a cost-effective and convenient means of acquiring knowledge, offering the ability to access a vast library of resources at our fingertips. With platforms like Project Gutenberg, Open Library, and various digital libraries offered by educational institutions, we have access to an ever-expanding collection of books and manuals. Whether for educational, professional, or personal purposes, these digital resources serve as valuable tools for continuous learning and self-improvement. So why not take advantage of the vast world of Craftsman Opener Manual Guide books and manuals for download and embark on your journey of knowledge?

FAQs About Craftsman Opener Manual Guide Books

How do I know which eBook platform is the best for me? Finding the best eBook platform depends on your reading preferences and device compatibility. Research different platforms, read user reviews, and explore their features before making a choice. Are free eBooks of good quality? Yes, many reputable platforms offer high-quality free eBooks, including classics and public domain works. However, make sure to verify the source to ensure the eBook credibility. Can I read eBooks without an eReader? Absolutely! Most eBook platforms offer web-based readers or mobile apps that allow you to read eBooks on your computer, tablet, or smartphone. How do I avoid digital eye strain while reading eBooks? To prevent digital eye strain, take regular breaks, adjust the font size and background color, and ensure proper lighting while reading eBooks. What the advantage of interactive eBooks? Interactive eBooks incorporate multimedia elements, quizzes, and activities, enhancing the reader engagement and providing a more immersive learning experience. Craftsman Opener Manual Guide is

one of the best book in our library for free trial. We provide copy of Craftsman Opener Manual Guide in digital format, so the resources that you find are reliable. There are also many Ebooks of related with Craftsman Opener Manual Guide. Where to download Craftsman Opener Manual Guide online for free? Are you looking for Craftsman Opener Manual Guide PDF? This is definitely going to save you time and cash in something you should think about.

Find Craftsman Opener Manual Guide :

[mcclure twins crying](#)

mcfadden serial killer

mcgraw hill geometry

[mcgraw hill smartbook](#)

[mcgraw hill phonics](#)

[medical apartheid chapter summary](#)

medieval europe crash course

mary shelley frankenstein sparknotes

medical letter of recommendation sample

[masterclass 30 day free trial](#)

mature male cat name

medical illustrators draw cartoons for comic books

mcdougal littell math

[mcgraw hill textbooks online free pdf](#)

[mcoles practice test online free](#)

Craftsman Opener Manual Guide :