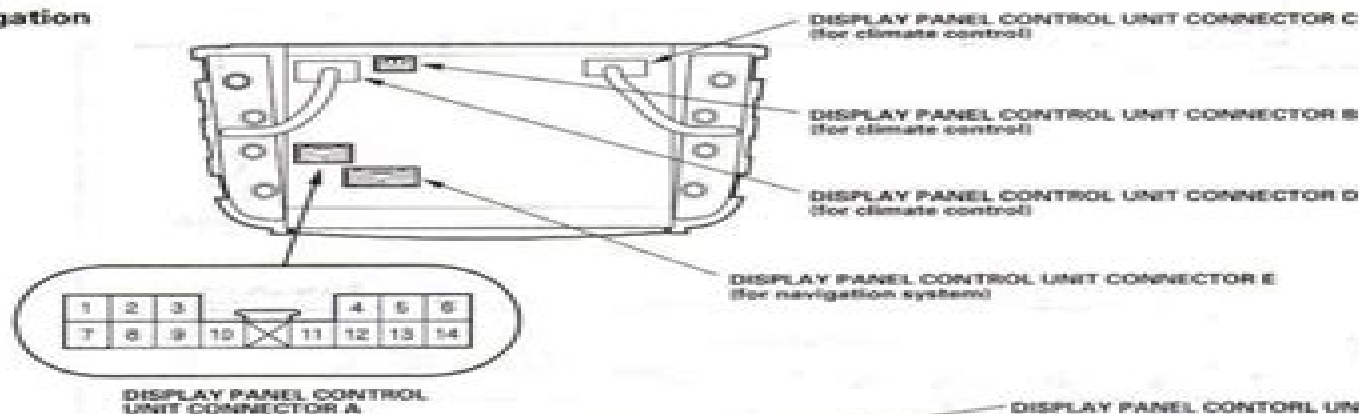


System Description

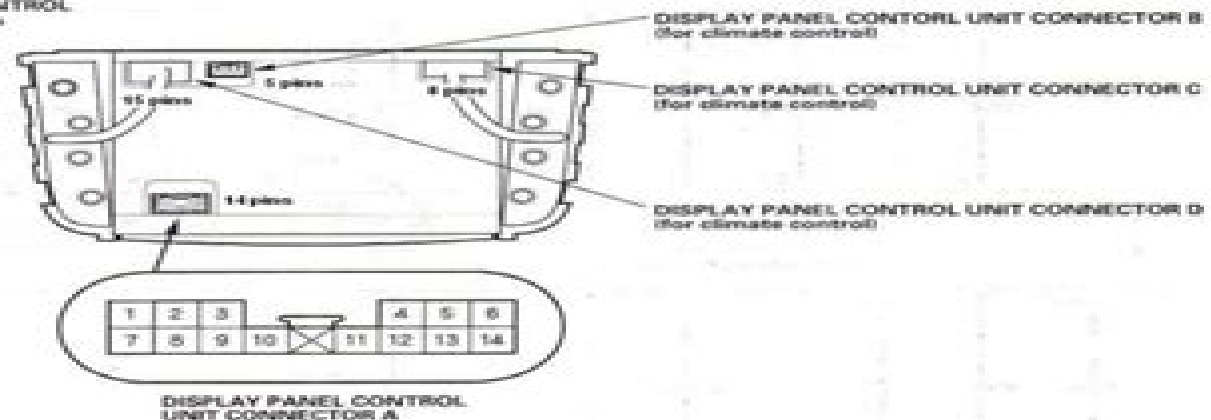
Display Panel Control Unit Inputs and Outputs

When replacing a display panel control unit connector, match the wires to the cavities listed in the following table.

With Navigation



Without Navigation



NOTE: For the display panel control unit connectors B, C, and D, refer to the Circuit Diagram of Climate Control (see page 21-22), and for the display panel control unit connector E, refer to the System Description of Navigation System (see page 22-462).

Cavity	Wire	Connects to	Input/Output
A1	BLK	Ground (G501)	—
A2	RED	Dash lights brightness controller (bulb)	Input
A3	BLU	BUS (+)	Input
A4	RED/BLK	Lights-on signal	Input
A5	YEL/RED	ACC (Main stereo power supply)	Input
A6	WHT/RED	Constant power	Input
A7	RED/BLU	Dash lights brightness controller (LED)	Input
A8	BLU/WHT	Audio unit (IMS 1)	Output
A9	GRN/ORN	Audio unit (IMS 0)	Output
A10	WHT	Shield GND	—
A11	RED	BUS (-)	Output
A12	—	Not used	—
A13	—	Not used	—
A14	LT BLU	Multiplex integrated control unit	Input/Output

2008 Acura TL Connectors Manual

Phil Edmonston



2008 Acura TL Connectors Manual

The Car Hacker's Handbook Craig Smith, 2016-03-01 Modern cars are more computerized than ever Infotainment and navigation systems Wi Fi automatic software updates and other innovations aim to make driving more convenient But vehicle technologies haven't kept pace with today's more hostile security environment leaving millions vulnerable to attack The Car Hacker's Handbook will give you a deeper understanding of the computer systems and embedded software in modern vehicles It begins by examining vulnerabilities and providing detailed explanations of communications over the CAN bus and between devices and systems Then once you have an understanding of a vehicle's communication network you'll learn how to intercept data and perform specific hacks to track vehicles unlock doors glitch engines flood communication and more With a focus on low cost open source hacking tools such as Metasploit Wireshark Kayak can utils and ChipWhisperer The Car Hacker's Handbook will show you how to Build an accurate threat model for your vehicle Reverse engineer the CAN bus to fake engine signals Exploit vulnerabilities in diagnostic and data logging systems Hack the ECU and other firmware and embedded systems Feed exploits through infotainment and vehicle to vehicle communication systems Override factory settings with performance tuning techniques Build physical and virtual test benches to try out exploits safely If you're curious about automotive security and have the urge to hack a two ton computer make The Car Hacker's Handbook your first stop

Buying Guide 2008 Consumer Reports, 2007-11-13 **Lemon-Aid Used Cars and Trucks 2010-2011** Phil

Edmonston, 2010-05-11 Lemon Aid Used Cars and Trucks 2010-2011 shows buyers how to pick the cheapest and most reliable vehicles from the past 30 years of production This book offers an exposé gas consumption lies a do it yourself service manual an archive of service bulletins granting free repairs and more *Lemon-Aid Used Cars and Trucks 2011-2012* Phil

Edmonston, 2011-04-25 As Toyota skids into an ocean of problems and uncertainty continues in the U S automotive industry Lemon Aid Used Cars and Trucks 2011-2012 shows buyers how to pick the cheapest and most reliable vehicles from the past 30 years Lemon Aid guides are unlike any other car and truck books on the market Phil Edmonston Canada's automotive Dr Phil for 40 years pulls no punches Like five books in one Lemon Aid Used Cars and Trucks is an exposé of car scams and gas consumption lies a do it yourself service manual an independent guide that covers beaters lemons and collectibles an archive of secret service bulletins granting free repairs and a legal primer that even lawyers can't beat Phil delivers the goods on free fixes for Chrysler Ford and GM engine transmission brake and paint defects lets you know about Corvette and Mustang tops that fly off gives the lowdown on Honda Hyundai and Toyota engines and transmissions and provides the latest information on computer module glitches

Engineering Fundamentals: An Introduction to Engineering, SI Edition Saeed Moaveni, 2011-01-01 Specifically designed as an introduction to the exciting world of engineering ENGINEERING FUNDAMENTALS AN INTRODUCTION TO ENGINEERING encourages students to become engineers and prepares them

with a solid foundation in the fundamental principles and physical laws The book begins with a discovery of what engineers do as well as an inside look into the various areas of specialization An explanation on good study habits and what it takes to succeed is included as well as an introduction to design and problem solving communication and ethics Once this foundation is established the book moves on to the basic physical concepts and laws that students will encounter regularly The framework of this text teaches students that engineers apply physical and chemical laws and principles as well as mathematics to design test and supervise the production of millions of parts products and services that people use every day By gaining problem solving skills and an understanding of fundamental principles students are on their way to becoming analytical detail oriented and creative engineers Important Notice Media content referenced within the product description or the product text may not be available in the ebook version

Lemon-Aid Used Cars and Trucks 2012-2013 Phil Edmonston,2012-05-19 Lemon Aid guides steer the confused and anxious buyer through the economic meltdown unlike any other car and truck books on the market U S automakers are suddenly awash in profits and South Koreans and Europeans have gained market shares while Honda Nissan and Toyota have curtailed production following the 2011 tsunami in Japan Shortages of Japanese new cars and supplier disruptions will likely push used car prices through the roof well into 2012 so what should a savvy buyer do The all new Lemon Aid Used Cars and Trucks 2012 2013 has the answers including More vehicles rated with some redesigned models that don t perform as well as previous iterations downrated More roof crash worthiness ratings along with an expanded cross border shopping guide A revised summary of safety and performance related defects that are likely to affect rated models More helpful websites listed in the appendix as well as an updated list of the best and worst beaters on the market More secret warranties taken from automaker internal service bulletins and memos than ever

Popular Science ,2004-12 Popular Science gives our readers the information and tools to improve their technology and their world The core belief that Popular Science and our readers share The future is going to be better and science and technology are the driving forces that will help make it better

Shop Class as Soulcraft Matthew B. Crawford,2009-05-28 A philosopher mechanic s wise and sometimes funny look at the challenges and pleasures of working with one s hands This is a deep exploration of craftsmanship by someone with real hands on knowledge The book is also quirky surprising and sometimes quite moving Richard Sennett author of *The Craftsman* Called the sleeper hit of the publishing season by *The Boston Globe* *Shop Class as Soulcraft* became an instant bestseller attracting readers with its radical and timely reappraisal of the merits of skilled manual labor On both economic and psychological grounds author Matthew B Crawford questions the educational imperative of turning everyone into a knowledge worker based on a misguided separation of thinking from doing Using his own experience as an electrician and mechanic Crawford presents a wonderfully articulated call for self reliance and a moving reflection on how we can live concretely in an ever more abstract world

The Reader's Companion to World Literature Lillian Herlands Hornstein,Calvin S. Brown,G. D. Percy,Leon

Edel, Sterling Allen Brown, Horst Frenz, 2002 An alphabetical listing and description of authors works literary types and terms mythological figures and literary periods and movements from all over the world **Protect Your Macintosh** Bruce Schneier, 1994-01 Uncovers a host of problems and suggested solutions for issues ranging from protecting data from thieves or spies backing up and storing files and safeguarding from viruses to choosing bars chains and locks to prevent physical removal Original All Users Documentation Update: October 2004 to March 2005 , Highway Deicing , 1991 Examines the total cost of salt and calcium magnesium acetate CMA including the indirect cost of application and indirect costs to the environment infrastructure and motor vehicles This report focuses on defining the true cost of salt which is the most popular deicer and the standard of comparison for most other deicing products **Business Marketing Management** Michael D. Hutt, Thomas W. Speh, 2014 Reflecting the latest trends and issues the new Europe Middle East Africa Edition of Business Marketing Management B2B delivers comprehensive cutting edge coverage that equips students with a solid understanding of today s dynamic B2B market The similarities and differences between consumer and business markets are clearly highlighted and there is an additional emphasis on automated B2B practices and the impact of the Internet Cengage website

Book and Car Reader's Digest Children's Publishing, Incorporated, 2004-09 Each of these awesome collectible NASCAR book and car sets comes complete with a die cast metal replica of the featured driver s car made specifically for Reader s Digest by Action Performance Each features a super 24 page book that includes a brief biography of these NASCAR champs along with facts about their greatest races and information about their cars After young racers have read all about their favorite drivers they can get in on the action with a mini race track printed inside the book perfect for use with the die cast race cars **Electric Vehicle Machines and Drives** K. T. Chau, 2015-05-13 A timely comprehensive reference consolidates the research and development of electric vehicle machines and drives for electric and hybrid propulsions Focuses on electric vehicle machines and drives Covers the major technologies in the area including fundamental concepts and applications Emphasis the design criteria performance analyses and application examples or potentials of various motor drives and machine systems Accompanying website includes the simulation models and outcomes as supplementary material

Roadside Design Guide American Association of State Highway and Transportation Officials. Task Force for Roadside Safety, 1989 **Smart Transport for Cities and Nations** Christian Claudel, Paul Avery, Wendy Wagner, Lisa Loftus-Otway, Daniel Fagnant, Prateek Bansal, Michael Levin, Rahul Patel, Tianxin Li, Yong Zhao, Michele Simoni, Lewis Clements, Guni Sharon, Duncan Stewart, Peter Stone, Aqshems Nichols, Tejas Choudhary, Josiah Hanna, Purser Sturgeon, Michael Albert, Jia Li, Krishna Murthy Gurusurthy, Kenneth A. Perrine, Marc Segal, Qinglu Ma, Hagen Fritz, 2018-06-30 Contemporary Strategy Analysis Robert M. Grant, 2013-01-22 Robert M Grant combines a highly accessible writing style with a concentration on the fundamentals of value creation and an emphasis on practicality in this leading strategy text In this new edition he includes an even greater focus on strategy implementation that reflects the needs

of firms to reconcile scale economies with entrepreneurial flexibility innovation with cost efficiency and globalization with local responsiveness This edition also incorporates some of the key strategic issues of today including post financial crisis adjustment the continuing rise of China India and Brazil and the increased emphasis on ethics and sustainability Coverage is also provided on strategy in not for profit organizations Contemporary Strategy Analysis Text and Cases 8th Edition combines the text with an updated collection of 20 case studies It is suitable for both MBA and advanced undergraduate students Additional teaching resources are also available for instructors including an instructor s manual case teaching notes test bank teaching slides case video clips and extra cases All of these resources can be accessed via the companion website www.contemporarystrategyanalysis.com

Honda Accord 1994-1997 John Haynes,1999-01-07 There is a Haynes manual for most popular domestic and import cars trucks and motorcycles By conducting complete tear downs and rebuilds the Haynes staff has discovered all the problems owners will find in rebuilding or repairing their vehicle Documenting the process in hundreds of illustrations and clear step by step instructions makes every expert tip easy to follow From simple maintenance to trouble shooting and complete engine rebuilds it s easy with Haynes

Heaven's Devil Storm Song,2021-01-26 Common sense tells you that you would know if you were evil but what about the freaking anti christ Quite ironically my name is Faith and up until a few days ago I was just a normal waitress working a dead end job just to get by My life was going perfectly crappy just like everyone else and my dumb ass had to go and screw it up looking for love When a mysterious dating app installs itself onto my phone I cave and take the bait Little do I know the four blind dates I m matched with are actually the four horsemen of the apocalypse and my life is turned upside down like the crosses they wear around their necks I barely have enough time to process that angels and demons exist because every angel and their momma is descending from a corrupt heaven to kill me Backed into a corner I m left with two choices try to plead my innocence to God and his army or become the anti christ they all think I am and build my own Are good and evil really as black and white as they re trying to make them out to be

dr jekyll and mr hyde new grade 9 1 gcse english literature - Jan 08 2023

web dr jekyll and mr hyde new grade 9 1 gcse english literature edexcel text guide collins gcse 9 1 snap revision collins gcse amazon com tr kitap

dr jekyll and mr hyde aqa gcse 9 1 english literature text guide - Sep 04 2022

web sep 12 2022 suitable for the 2023 exams everything you need to revise for your gcse 9 1 set text in a snap guide our dr jekyll and mr hyde snap revision text guide has everything you need to score top marks on your gcse grade 9 1 english literature exam right at your fingertips

[gcse english text guide dr jekyll and mr hyde includes](#) - Jan 28 2022

web may 14 2021 gcse english text guide dr jekyll and mr hyde includes quizzes cgp gcse english 9 1 revision kindle edition by cgp books author editor format kindle edition 4 7 2 167 ratings part of cgp gcse english text guides 17 books see all formats and editions

dr jekyll and mr hyde grade 9 notes for aqa gcse english literature 9 1 - Mar 30 2022

web apr 30 2020 although these notes are tailored to the aqa gcse english literature 9 1 course they can be used for any gcse course i achieved a grade 9 overall and nearly full marks in paper 1 so these notes proved very useful for revision hope you find them helpful and please leave a review below was 10 00 to let us know if it violates our

dr jekyll and mr hyde aqa gcse 9 1 english literature text guide - Apr 11 2023

web buy dr jekyll and mr hyde aqa gcse 9 1 english literature text guide ideal for the 2024 and 2025 exams collins gcse grade 9 1 snap revision by collins gcse isbn 9780008551537 from amazon s book store everyday low

amazon com dr jekyll and mr hyde new grade 9 1 gcse english - Dec 27 2021

web apr 16 2019 revise dr jekyll and mr hyde by robert louis stevenson in a snap with this new gcse grade 9 1 snap revision text guide from collins refresh your knowledge of the plot context characters and themes and pick up

grade 9 1 gcse english text guide dr jekyll and mr hyde cgp gcse - Jun 13 2023

web grade 9 1 gcse english text guide dr jekyll and mr hyde cgp gcse english 9 1 revision cgp books amazon com tr kitap

grade 9 1 gcse english text guide dr jekyll and mr hyde cgp gcse - Oct 05 2022

web cgp books grade 9 1 gcse english text guide dr jekyll and mr hyde cgp gcse english text guides taschenbuch 14 mai 2021 englisch ausgabe von cgp books herausgeber autor

gcse english dr jekyll and mr hyde workbook includes - Feb 26 2022

web a huge range of practice to build solid knowledge of your set text from cgp the no 1 for gcse english this cgp workbook for dr jekyll mr hyde has everything students need to succeed in the latest grade 9 1 gcse english literature exams

gcse english dr jekyll and mr hyde workbook includes - Feb 09 2023

web this brilliant dr jekyll mr hyde workbook will make sure that you show your best side for the latest grade 9 1 gcse english literature exams it s full of cracking questions on the plot characters context themes and the writer s

gcse english text guide dr jekyll and mr hyde includes - Jul 02 2022

web may 14 2021 buy gcse english text guide dr jekyll and mr hyde includes online edition quizzes ideal for the 2024 and 2025 exams cgp gcse english text guides by cgp books cgp books isbn 9781782943082 from amazon s book store everyday low prices and free delivery on eligible orders

collins gcse grade 9 1 snap revision dr jekyll and mr hyde aqa gcse - Mar 10 2023

web sep 12 2022 level gcse grade 9 1 subject english literature suitable for the 2023 exams everything you need to revise

for your gcse 9 1 set text in a snap guide our dr jekyll and mr hyde snap revision text guide has everything you need to score top marks on your gcse grade 9 1 english literature exam right at your fingertips

dr jekyll and mr hyde aqa gcse 9 1 english literature text guide - Aug 15 2023

web dr jekyll and mr hyde aqa gcse 9 1 english literature text guide yazar collins gcse yaynevleri harpercollins publishers kitap formatı ciltsiz ince kapak

grade 9 1 gcse english text guide dr jekyll and mr hyde - Dec 07 2022

web apr 23 2015 buy grade 9 1 gcse english text guide dr jekyll and mr hyde by cgp books available in used condition with free delivery in the uk isbn 9781782943082 isbn 10 1782943080

gcse english text guide dr jekyll and mr hyde abebooks - Jun 01 2022

web level subject gcse english literature first teaching september 2015 first exams june 2017 this cgp text guide contains everything you need to write top grade essays about robert louis stevenson s dr jekyll and mr hyde it s suitable for all gcse english exams including the new ones starting in summer 2017

dr jekyll and mr hyde new grade 9 1 gcse english liter - Apr 30 2022

web apr 16 2019 revise dr jekyll and mr hyde by robert louis stevenson in a snap with this new gcse grade 9 1 snap revision text guide from collins refresh your knowledge of the plot context characters and themes and pick up

etjh42 gcse english text guide dr jekyll and mr hyde - Aug 03 2022

web this brilliant cgp text guide contains all the study notes analysis and exam practice students studying dr jekyll and mr hyde smash gcse english literature plus super online extras

grade 9 1 gcse english text guide dr jekyll and mr hyde cgp gcse - Jul 14 2023

web grade 9 1 gcse english text guide dr jekyll and mr hyde cgp gcse english 9 1 revision cgp books amazon com tr kitap

dr jekyll and mr hyde grade 9 1 gcse english text guide dr jekyll - Nov 06 2022

web jan 1 2020 dr jekyll and mr hyde grade 9 1 gcse english text guide dr jekyll and mr hyde the strange case of dr jekyll and mr hyde 3 books collection set paperback 1 jan 2020 by robert louis stevenson author cgp

dr jekyll and mr hyde edexcel gcse 9 1 english literature text guide - May 12 2023

web apr 16 2019 buy dr jekyll and mr hyde edexcel gcse 9 1 english literature text guide ideal for home learning 2023 and 2024 exams collins gcse grade 9 1 snap revision by collins gcse isbn 9780008353032 from amazon s book store everyday low prices and free delivery on eligible orders

aşğıdaki ifadelerden hangisi doğrudur a 50 nin yüzde 10 u 10 - Jan 28 2022

web mar 2 2019 a 50 nin yüzde 10 u 10 dur b 25 in yüzde 20 si 15 tir c 60ın yüzde eodev com 02 03 2019 matematik lise cevaplandı aşğıdaki ifadelerden hangisi doğrudur a 50 nin yüzde 10 u 10 dur b 25 in yüzde 20 si 15 tir c 60ın yüzde 30 u 24

tur

les 50 règles d'or de la c ducation positive pdf wrbb neu - Feb 09 2023

web les 50 règles d'or de la c ducation positive 1 les 50 règles d'or de la c ducation positive as recognized adventure as skillfully as experience approximately lesson amusement as skillfully as arrangement can be gotten by positive and numerous ebook collections from fictions to scientific research in any way in the midst of them is

les 50 règles d'or de la c ducation positive pdf - Apr 30 2022

web les 50 règles d'or de l intelligence émotionnelle larousse anxiété stress surmenage sont sources de difficultés pour s endormir de réveils nocturnes voire d insomnie

les 50 règles d'or de la c ducation positive pdf book - Jul 02 2022

web mar 3 2023 discover the declaration les 50 règles d'or de la c ducation positive pdf that you are looking for it will completely squander the time however below once you visit this web page it will be correspondingly certainly easy to acquire as competently as download lead les 50 règles d

les 50 règles d'or de la c ducation positive pdf - Jul 14 2023

web les 50 règles d'or de la c ducation positive les 50 règles d'or des devoirs à la maison les 50 règles d'or de la confiance en soi les 50 règles d'or pour bien gérer ses émotions les 50 règles d'or de la naturopathie les 50 règles d'or pour se faire obéir sans s énerver les 50 règles d'or de la sophrologie

les 50 règles d'or de la c ducation positive copy - Feb 26 2022

web les 50 règles d'or de la c ducation positive 1 les 50 règles d'or de la c ducation positive downloaded from raceandwealth.co.uk howard.edu by guest li erickson les 50 règles d'or de la pensée positive larousse pratique pâte à tartiner du matin biscuits du goûter yaourt sucré au dessert et autres bonbons dégustés

a 50 nin 10 u 10 dur eodev.com - Dec 27 2021

web mar 17 2021 Öğrencilerin grup içerisinde birbirlerine ödevlerinde yardımcı oldukları bilgi paylaşımı yaparak yeni arkadaşlar edindikleri sosyal eğitim portalıdır

les 50 règles d'or de la c ducation positive pdf pdf - Mar 10 2023

web les 50 règles d'or de la c ducation positive pdf upload caliva r williamson 1 1 downloaded from ieducar.jaciara.mt.gov.br on february 1 2023 by caliva r williamson les 50 règles d'or de la c ducation positive pdf yeah reviewing a ebook les 50 règles d'or de la c ducation positive pdf could increase your close contacts listings this

les 50 règles d'or de la c ducation positive - Mar 30 2022

web l interprète journal général de la littérature de france ou répertoire méthodique des livres nouveaux c qui paraissent successivement en france suivi d un bulletin de la littérature étrangère orientalia les 50 règles d'or de la c ducation positive

downloaded from gsevocab pearsonelt com by guest jax warren l economiste

les 50 ra gles d or de l a c ducation positive pdf - Apr 11 2023

web jun 27 2023 les 50 ra gles d or de l a c ducation positive pdf is available in our digital library an online access to it is set as public so you can get it instantly our book servers spans in multiple locations allowing you to get the most less latency time to download any of our books like this one

les 50 ra gles d or de l a c ducation positive pdf 2023 - May 12 2023

web webnovels like this bled les 50 ra gles d or de la grammaire but end up in infectious downloads rather than enjoying a good book with a cup of tea in the afternoon instead they cope with some infectious bugs inside their computer bled les 50 ra gles d or de la grammaire is available in our digital library an online access to it is set as

read free les 50 ra gles d or de l a c ducation positive - Aug 15 2023

web les 50 ra gles d or de l a c ducation positive rapport sur la situation de l archéologie urbaine en europe oct 06 2021 a collection of reports on the situation of urban archaeology in 22 european countries all the reports of the situation in the seperate countries give amongst others attention to definitions

les 50 ra gles d or de l a c ducation positive juliet wilson - Aug 03 2022

web les 50 ra gles d or de l a c ducation positive getting the books les 50 ra gles d or de l a c ducation positive now is not type of inspiring means you could not deserted going subsequently ebook hoard or library or borrowing from your links to open them this is an certainly simple means to specifically get lead by on line

download free les 50 ra gles d or de l a c ducation positive - Dec 07 2022

web les 50 ra gles d or de l a c ducation positive chippewa flowage joint agency management plan may 12 2020 ush 151 bypass cth d to peebles fond du lac county wisconsin jun 12 2020 fond du lac county wisconsin past and present oct 29 2021 quicklet on the kite runner by khaled hosseini cliffnotes like book

ebook les 50 ra gles d or de l a c ducation positive - Jun 01 2022

web les 50 ra gles d or de l a c ducation positive nouvelle collection des mémoires pour servir À l histoire de france mar 19 2023 elements of geometry and trigonometry nov 22 2020 droit des aides d etat dans la ce may 21 2023 a uniquely important contribution to the debate on ec state aid this book captures the direct

les 50 ra gles d or de l a c ducation positive full pdf vpn - Jun 13 2023

web les 50 ra gles d or de l a c ducation positive 1 les 50 ra gles d or de l a c ducation positive phonics first grades 2 4 enhanced ebook journal des instituteurs et des institutrices encyclopédie ou dictionnaire raisonné des sciences des arts et des métiers par une société de gens de lettres mis en ordre publié par m diderot

les 50 ra gles d or de l a c ducation positive full pdf - Oct 05 2022

web les 50 ra gles d or de l a c ducation positive advances in microbial physiology aug 21 2020 advances in microbial physiology elements of geometry conic sections and plane trigonometry sep 02 2021 les biais qui vous empchent de dvelopper votre systme de trading l importance de la psychologie dans le trading the universal

les 50 ra gles d or de l a c ducation positive copy - Nov 06 2022

web les 50 ra gles d or de l a c ducation positive the american aberdeen angus herd book jun 08 2021 erda energy research abstracts apr 26 2020 taber s cyclopedic medical dictionary jul 10 2021 taber s brings meanings to life put the language of nursing medicine and the healthcare professions at your fingertips in hand online or on

les 50 ra gles d or de l a c ducation positive pdf andrew - Sep 04 2022

web apr 28 2023 kindly say the les 50 ra gles d or de l a c ducation positive pdf is universally compatible with any devices to read community management of natural resources in africa dilys roe 2009 provides a pan african synthesis of community based natural resource management cbnrm drawing on

les 50 ra gles d or de l a c ducation positive pdf copy - Jan 08 2023

web mar 11 2023 les 50 ra gles d or de l a c ducation positive pdf right here we have countless ebook les 50 ra gles d or de l a c ducation positive pdf and collections to check out we additionally have the funds for variant types and as well as type of the books to browse the suitable book fiction history novel scientific research as competently as

horse anatomy dover nature coloring book anna s archive - Jul 19 2023

web over 100 accurate drawings examine the external and internal anatomy of the horse the skeleton muscles nervous system and major organs including the organs of

horse anatomy john green google books - Aug 20 2023

web jul 1 2006 this incredibly detailed coloring book examines the external and internal anatomy of the horse with 30 pages of accurate drawings highlighting the skeleton

horseanatomydoverpictorialarchive download only logs erpnext - Feb 02 2022

web find download free graphic resources for horse anatomy 100 vectors stock photos psd files free for commercial use high quality images

john green horse anatomy dover pictorial archive - Oct 10 2022

web knock kneed the axes of the limbs are broken in the knee joint to the inside which makes the horse s legs look like a big x this does not guarantee good support and balance

the anatomy of the horse dover anatomy for artists - Dec 12 2022

web horse anatomy dover nature coloring book free download as pdf file pdf or read online for free

horse anatomy diagrams of horse body parts equishop - Sep 09 2022

web jul 7 2006 this incredibly detailed coloring book examines the external and internal anatomy of the horse with 30 pages of accurate drawings highlighting the skeleton

horse anatomy green john 1948 free download - Sep 21 2023

web feb 4 2022 horse anatomy by green john 1948 publication date 2006 topics horses anatomy horses animal morphology publisher mineola n y dover

horse anatomy dover pictorial archive 2023 - Jan 13 2023

web jun 1 1976 george stubbs 1724 1806 an english artist famous for his portraits of thoroughbred race horses and for other animal paintings was also the author of the

horse anatomy dover pictorial archive horse anatomy - May 17 2023

web feb 24 2015 amazon com horse anatomy dover pictorial archive horse anatomy everything else

[horse anatomy dover pictorial archive pdf uniport edu](#) - Mar 03 2022

web anatomy an image archive for artists and designers is a collection of 140 high resolution digitised 17th and 18th century anatomical drawings for personal or commercial creative

dover pictorial archive horse anatomy at cd universe - Apr 16 2023

web sep 23 2023 dover pictorial archive horse anatomy audio book at cd universe this incredibly detailed coloring book examines the external and internal anatomy of the

[horse anatomy dover pictorial archive pivotid uvu edu](#) - Jun 18 2023

web full color versions of all illustrations included on the covers horse anatomy john green 2006 07 01 over 100 accurate drawings examine the horse inside and out the

horse anatomy images free vectors stock photos psd - Jan 01 2022

web horse anatomy dover pictorial archive horse anatomy dover pictorial archive 2 downloaded from pivotid uvu edu on 2022 07 26 by guest animal anatomy for artists

horse anatomy dover pictorial archive maggie raynor - Jun 06 2022

web anatomy dec 01 2022 this comprehensive guide features more than 75 illustrations beginning with the bones and muscles and advancing to studies of motion and repose

[the anatomy of the horse a pictorial approach archive org](#) - Oct 22 2023

web the anatomy of the horse a pictorial approach by way robert f 1921 publication date 1965 topics horses anatomy publisher philadelphia lippincott associate rochelle

horse anatomy dover pictorial archive full pdf pivotid uvu - Nov 30 2021

download solutions horse anatomy dover pictorial archive - May 05 2022

web apr 3 2023 horse anatomy dover pictorial archive 1 7 downloaded from uniport edu ng on april 3 2023 by guest horse anatomy dover pictorial archive when somebody

horse anatomy coloring book dover book by john - Feb 14 2023

web horse anatomy dover pictorial archive treasury of art nouveau design ornament dec 22 2020 577 authentic art nouveau designs ranging in size from full page

horse anatomy coloring book dover science for kids coloring - Aug 08 2022

web temperature they prefer horse anatomy mar 16 2023 over 100 accurate drawings examine the horse inside and out the skeleton muscles nervous system and major

horse anatomy dover pictorial archive pdf uniport edu - Apr 04 2022

web may 28 2023 horse anatomy dover pictorial archive 2 7 downloaded from uniport edu ng on may 28 2023 by guest horse conformation juliet hedge 2004 the

horse anatomy books the equinest - Mar 15 2023

web horse anatomy dover pictorial archive contains more than 100 drawings covering external internal equine anatomy covering the skeletal system nervous system

horse anatomy dover nature coloring book pdf scribd - Nov 11 2022

web over 100 accurate drawings examine the external and internal anatomy of the horse the skeleton muscles nervous system and major organs including the organs of

horseanatomydoverpictorialarchive - Jul 07 2022

web info get the horse anatomy dover pictorial archive partner that we pay for here and check out the link you could buy guide horse anatomy dover pictorial archive or get

Unveiling the Magic of Words: A Overview of "**2008 Acura Tl Connectors Manual**"

In a global defined by information and interconnectivity, the enchanting power of words has acquired unparalleled significance. Their ability to kindle emotions, provoke contemplation, and ignite transformative change is really awe-inspiring. Enter the realm of "**2008 Acura Tl Connectors Manual**," a mesmerizing literary masterpiece penned with a distinguished author, guiding readers on a profound journey to unravel the secrets and potential hidden within every word. In this critique, we shall delve in to the book is central themes, examine its distinctive writing style, and assess its profound effect on the souls of its readers.

https://offsite.creighton.edu/files/virtual-library/Documents/how_many_pages_are_in_the_one_and_only_ivan.pdf

https://offsite.creighton.edu/files/virtual-library/Documents/home_remedies_to_get_rid_of_brown_recluse_spiders.pdf

https://offsite.creighton.edu/files/virtual-library/Documents/how_to_ask_for_financial_assistance_in_a_letter.pdf

Table of Contents 2008 Acura Tl Connectors Manual

1. Understanding the eBook 2008 Acura Tl Connectors Manual
 - The Rise of Digital Reading 2008 Acura Tl Connectors Manual
 - Advantages of eBooks Over Traditional Books
2. Identifying 2008 Acura Tl Connectors Manual
 - Exploring Different Genres
 - Considering Fiction vs. Non-Fiction
 - Determining Your Reading Goals
3. Choosing the Right eBook Platform
 - Popular eBook Platforms

- Features to Look for in an 2008 Acura TL Connectors Manual
- User-Friendly Interface
- 4. Exploring eBook Recommendations from 2008 Acura TL Connectors Manual
 - Personalized Recommendations
 - 2008 Acura TL Connectors Manual User Reviews and Ratings
 - 2008 Acura TL Connectors Manual and Bestseller Lists
- 5. Accessing 2008 Acura TL Connectors Manual Free and Paid eBooks
 - 2008 Acura TL Connectors Manual Public Domain eBooks
 - 2008 Acura TL Connectors Manual eBook Subscription Services
 - 2008 Acura TL Connectors Manual Budget-Friendly Options
- 6. Navigating 2008 Acura TL Connectors Manual eBook Formats
 - ePub, PDF, MOBI, and More
 - 2008 Acura TL Connectors Manual Compatibility with Devices
 - 2008 Acura TL Connectors Manual Enhanced eBook Features
- 7. Enhancing Your Reading Experience
 - Adjustable Fonts and Text Sizes of 2008 Acura TL Connectors Manual
 - Highlighting and Note-Taking 2008 Acura TL Connectors Manual
 - Interactive Elements 2008 Acura TL Connectors Manual
- 8. Staying Engaged with 2008 Acura TL Connectors Manual
 - Joining Online Reading Communities
 - Participating in Virtual Book Clubs
 - Following Authors and Publishers 2008 Acura TL Connectors Manual
- 9. Balancing eBooks and Physical Books 2008 Acura TL Connectors Manual
 - Benefits of a Digital Library
 - Creating a Diverse Reading Collection 2008 Acura TL Connectors Manual
- 10. Overcoming Reading Challenges
 - Dealing with Digital Eye Strain
 - Minimizing Distractions
 - Managing Screen Time
- 11. Cultivating a Reading Routine 2008 Acura TL Connectors Manual

-
- Setting Reading Goals 2008 Acura TI Connectors Manual
 - Carving Out Dedicated Reading Time
12. Sourcing Reliable Information of 2008 Acura TI Connectors Manual
 - Fact-Checking eBook Content of 2008 Acura TI Connectors Manual
 - Distinguishing Credible Sources
 13. Promoting Lifelong Learning
 - Utilizing eBooks for Skill Development
 - Exploring Educational eBooks
 14. Embracing eBook Trends
 - Integration of Multimedia Elements
 - Interactive and Gamified eBooks

2008 Acura TI Connectors Manual Introduction

In the digital age, access to information has become easier than ever before. The ability to download 2008 Acura TI Connectors Manual has revolutionized the way we consume written content. Whether you are a student looking for course material, an avid reader searching for your next favorite book, or a professional seeking research papers, the option to download 2008 Acura TI Connectors Manual has opened up a world of possibilities. Downloading 2008 Acura TI Connectors Manual provides numerous advantages over physical copies of books and documents. Firstly, it is incredibly convenient. Gone are the days of carrying around heavy textbooks or bulky folders filled with papers. With the click of a button, you can gain immediate access to valuable resources on any device. This convenience allows for efficient studying, researching, and reading on the go. Moreover, the cost-effective nature of downloading 2008 Acura TI Connectors Manual has democratized knowledge. Traditional books and academic journals can be expensive, making it difficult for individuals with limited financial resources to access information. By offering free PDF downloads, publishers and authors are enabling a wider audience to benefit from their work. This inclusivity promotes equal opportunities for learning and personal growth. There are numerous websites and platforms where individuals can download 2008 Acura TI Connectors Manual. These websites range from academic databases offering research papers and journals to online libraries with an expansive collection of books from various genres. Many authors and publishers also upload their work to specific websites, granting readers access to their content without any charge. These platforms not only provide access to existing literature but also serve as an excellent platform for undiscovered authors to share their work with the world. However, it is essential to be cautious while downloading 2008 Acura TI Connectors Manual. Some websites may offer pirated or illegally obtained copies of copyrighted

material. Engaging in such activities not only violates copyright laws but also undermines the efforts of authors, publishers, and researchers. To ensure ethical downloading, it is advisable to utilize reputable websites that prioritize the legal distribution of content. When downloading 2008 Acura TI Connectors Manual, users should also consider the potential security risks associated with online platforms. Malicious actors may exploit vulnerabilities in unprotected websites to distribute malware or steal personal information. To protect themselves, individuals should ensure their devices have reliable antivirus software installed and validate the legitimacy of the websites they are downloading from. In conclusion, the ability to download 2008 Acura TI Connectors Manual has transformed the way we access information. With the convenience, cost-effectiveness, and accessibility it offers, free PDF downloads have become a popular choice for students, researchers, and book lovers worldwide. However, it is crucial to engage in ethical downloading practices and prioritize personal security when utilizing online platforms. By doing so, individuals can make the most of the vast array of free PDF resources available and embark on a journey of continuous learning and intellectual growth.

FAQs About 2008 Acura TI Connectors Manual Books

What is a 2008 Acura TI Connectors Manual PDF? A PDF (Portable Document Format) is a file format developed by Adobe that preserves the layout and formatting of a document, regardless of the software, hardware, or operating system used to view or print it. **How do I create a 2008 Acura TI Connectors Manual PDF?** There are several ways to create a PDF: Use software like Adobe Acrobat, Microsoft Word, or Google Docs, which often have built-in PDF creation tools. Print to PDF: Many applications and operating systems have a "Print to PDF" option that allows you to save a document as a PDF file instead of printing it on paper. Online converters: There are various online tools that can convert different file types to PDF. **How do I edit a 2008 Acura TI Connectors Manual PDF?** Editing a PDF can be done with software like Adobe Acrobat, which allows direct editing of text, images, and other elements within the PDF. Some free tools, like PDFescape or Smallpdf, also offer basic editing capabilities. **How do I convert a 2008 Acura TI Connectors Manual PDF to another file format?** There are multiple ways to convert a PDF to another format: Use online converters like Smallpdf, Zamzar, or Adobe Acrobat's export feature to convert PDFs to formats like Word, Excel, JPEG, etc. Software like Adobe Acrobat, Microsoft Word, or other PDF editors may have options to export or save PDFs in different formats. **How do I password-protect a 2008 Acura TI Connectors Manual PDF?** Most PDF editing software allows you to add password protection. In Adobe Acrobat, for instance, you can go to "File" -> "Properties" -> "Security" to set a password to restrict access or editing capabilities. Are there any free alternatives to Adobe Acrobat for working with PDFs? Yes, there are many free alternatives for working with PDFs, such as: LibreOffice: Offers PDF editing features. PDFsam: Allows splitting, merging, and editing

PDFs. Foxit Reader: Provides basic PDF viewing and editing capabilities. How do I compress a PDF file? You can use online tools like Smallpdf, ILovePDF, or desktop software like Adobe Acrobat to compress PDF files without significant quality loss. Compression reduces the file size, making it easier to share and download. Can I fill out forms in a PDF file? Yes, most PDF viewers/editors like Adobe Acrobat, Preview (on Mac), or various online tools allow you to fill out forms in PDF files by selecting text fields and entering information. Are there any restrictions when working with PDFs? Some PDFs might have restrictions set by their creator, such as password protection, editing restrictions, or print restrictions. Breaking these restrictions might require specific software or tools, which may or may not be legal depending on the circumstances and local laws.

Find 2008 Acura TI Connectors Manual :

[how many pages are in the one and only ivan](#)

[home remedies to get rid of brown recluse spiders](#)

[how to ask for financial assistance in a letter](#)

[how to audition for hollywood movies](#)

[how old is rainsford in the most dangerous game](#)

[house of hampton ceiling fans](#)

how to assess decoding skills

how growing up with a narcissistic mother shapes you

[homeopathic remedies for burns](#)

[how to become a matchmaker](#)

hopkins florist manchester me

hot thai kitchen khao soi

[house of dragon kiss](#)

how long is a chode

[honor society acceptance letter](#)

2008 Acura TI Connectors Manual :