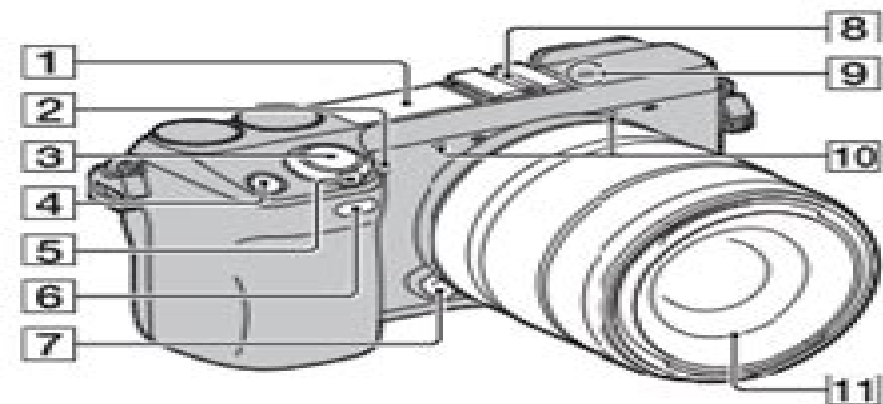
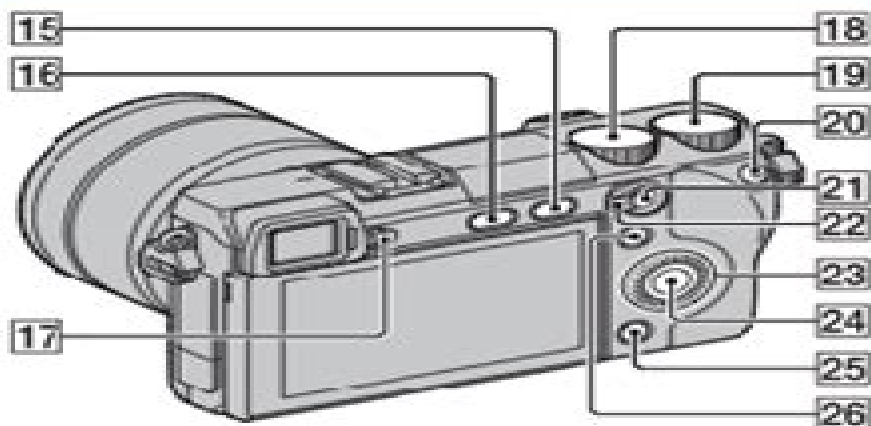
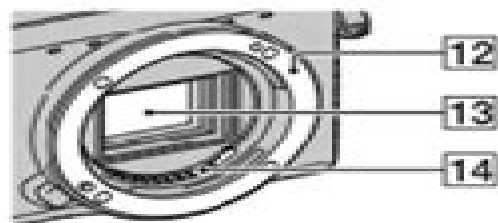





# Identifying parts



## When the lens is removed



- 9  Image sensor position mark (76)
- 10 Microphone \*
- 11 Lens
- 12 Mount
- 13 Image sensor \*\*
- 14 Lens contacts \*\*
- 15  (Playback) button (28)
- 16  (flash pop-up) button (74)
- 17 Diopter-adjustment dial
- 18 Control dial L (20)
- 19 Control dial R (20)
- 20 MOVIE button (26)
- 21 AF/MF button/AEL button (46, 47)
- 22 AF/MF/AEL switch lever (46, 47)
- 23 Control wheel (18)
- 24 Soft key C (19)
- 25 Soft key B (19)
- 26 Soft key A (19)

\* Do not cover this part during movie recording.

\*\* Do not touch this part directly.

# **Sony Nex C3 Manual Download**

**Ali Dehghantanha, Kim-Kwang  
Raymond Choo**



# Sony Nex C3 Manual Download

**Kodaks and Kodak Supplies** Eastman Kodak Company,1905      **The admonitions of an Egyptian sage** A.H. Gardiner,1909 The admonitions of an Egyptian sage from a hieratic papyrus in LeidenPap Pap Leiden 344 recto

**Handbook of Optoelectronics** John P. Dakin,Robert G. W. Brown,2017-10-05 Handbook of Optoelectronics offers a self contained reference from the basic science and light sources to devices and modern applications across the entire spectrum of disciplines utilizing optoelectronic technologies This second edition gives a complete update of the original work with a focus on systems and applications Volume I covers the details of optoelectronic devices and techniques including semiconductor lasers optical detectors and receivers optical fiber devices modulators amplifiers integrated optics LEDs and engineered optical materials with brand new chapters on silicon photonics nanophotonics and graphene optoelectronics Volume II addresses the underlying system technologies enabling state of the art communications imaging displays sensing data processing energy conversion and actuation Volume III is brand new to this edition focusing on applications in infrastructure transport security surveillance environmental monitoring military industrial oil and gas energy generation and distribution medicine and free space No other resource in the field comes close to its breadth and depth with contributions from leading industrial and academic institutions around the world Whether used as a reference research tool or broad based introduction to the field the Handbook offers everything you need to get started John P Dakin PhD is professor emeritus at the Optoelectronics Research Centre University of Southampton UK Robert G W Brown PhD is chief executive officer of the American Institute of Physics and an adjunct full professor in the Beckman Laser Institute and Medical Clinic at the University of California Irvine

**Pattern Recognition** Karina Mariela Figueroa Mora,Juan Anzures Marín,Jaime Cerda,Jesús Ariel Carrasco-Ochoa,José Francisco Martínez-Trinidad,José Arturo Olvera-López,2020-06-17 This book constitutes the proceedings of the 12th Mexican Conference on Pattern Recognition MCPR 2020 which was due to be held in Morelia Mexico in June 2020 The conference was held virtually due to the COVID 19 pandemic The 31 papers presented in this volume were carefully reviewed and selected from 67 submissions They were organized in the following topical sections pattern recognition techniques image processing and analysis computer vision industrial and medical applications of pattern recognition natural language processing and recognition artificial intelligence techniques and recognition

**Auditory Display** Sølvi Ystad,Mitsuko Aramaki,Richard Kronland-Martinet,Kristoffer Jensen,2010-05-09 This book constitutes the thoroughly refereed post conference proceedings of the 6th International Symposium on Computer Music Modeling and Retrieval CMMR 2009 held in Copenhagen Denmark in May 2009 The 25 revised full papers presented were specially reviewed and corrected for this proceedings volume The conference s topics include auditory exploration of data via sonification and audification real time monitoring of multivariate date sound in immersive interfaces and teleoperation

perceptual issues in auditory display sound in generalized computer interfaces technologies supporting auditory display creation data handling for auditory display systems applications of auditory display Drones for Biodiversity Conservation and Ecological Monitoring Ricardo Díaz-Delgado, Sander Múcher, 2019-12-18 Unmanned aerial vehicles UAV have already become an affordable and cost efficient tool to quickly map a targeted area for many emerging applications in the arena of ecological monitoring and biodiversity conservation Managers owners companies and scientists are using professional drones equipped with high resolution visible multispectral or thermal cameras to assess the state of ecosystems the effect of disturbances or the dynamics and changes within biological communities inter alia We are now at a tipping point on the use of drones for these type of applications over natural areas UAV missions are increasing but most of them are testing applicability It is time now to move to frequent revisiting missions aiding in the retrieval of important biophysical parameters in ecosystems or mapping species distributions This Special Issue shows UAV applications contributing to a better understanding of biodiversity and ecosystem status threats changes and trends It documents the enhancement of knowledge in ecological integrity parameters mapping long term ecological monitoring based on drones mapping of alien species spread and distribution upscaling ecological variables from drone to satellite images methods and approaches rapid risk and disturbance assessment using drones mapping albedo with UAVs wildlife tracking bird colony and chimpanzee nest mapping habitat mapping and monitoring and a review on drones for conservation in protected areas **The Permanence and Care of Color Photographs** Henry Gilmer Wilhelm, Carol Brower, 1993 Reference source for the care and preservation of photographs and motion picture film Evaluates the light fading and dark fading yellowing characteristics of color transparency films color negative films and color photographic papers with recommendations for the longest lasting products High resolution ink jet dye sublimation color electrophotographic and other digital imaging technologies are discussed as are conservation matting mount boards framing slide pages negative and print enclosures storage boxes densitometric monitoring of black and white and color prints in museum and archive collections the care of color slide collections the permanent preservation of color motion pictures the preservation of cellulose nitrate films and many other topics *Intelligent Technical Systems* Natividad Martínez Madrid, Ralf E.D. Seepold, 2009-02-18 Intelligent technical systems are networked embedded systems incorporating real time capacities that are able to interact with and adapt to their environments These systems need innovative approaches in order to meet requirements like cost size power and memory consumption as well as real time compliance and security Intelligent Technical Systems covers different levels like multimedia systems embedded programming middleware platforms sensor networks and autonomous systems and applications for intelligent engineering Each level is discussed by a set of original articles summarizing the state of the art and presenting a concrete application they include a deep discussion of their model and explain all design decisions relevant to obtain a mature solution Electric Sound Joel Chadabe, 1997 The author covers the development of the electronic

musical instrument from Thaddeus Cahill's Telharmonium at the turn of the last century to the MIDI synthesizers of the 1990s book cover *David Busch's Sony Alpha a68/ILCA-68 Guide to Digital Photography* David D. Busch, 2016-12-15

*Handbook of Big Data and IoT Security* Ali Dehghantanha, Kim-Kwang Raymond Choo, 2019-03-22 This handbook provides an overarching view of cyber security and digital forensic challenges related to big data and IoT environment prior to reviewing existing data mining solutions and their potential application in big data context and existing authentication and access control for IoT devices An IoT access control scheme and an IoT forensic framework is also presented in this book and it explains how the IoT forensic framework can be used to guide investigation of a popular cloud storage service A distributed file system forensic approach is also presented which is used to guide the investigation of Ceph Minecraft a Massively Multiplayer Online Game and the Hadoop distributed file system environment are also forensically studied and their findings reported in this book A forensic IoT source camera identification algorithm is introduced which uses the camera's sensor pattern noise from the captured image In addition to the IoT access control and forensic frameworks this handbook covers a cyber defense triage process for nine advanced persistent threat APT groups targeting IoT infrastructure namely APT1 Molerats Silent Chollima Shell Crew NetTraveler ProjectSauron CopyKittens Volatile Cedar and Transparent Tribe The characteristics of remote controlled real world Trojans using the Cyber Kill Chain are also examined It introduces a method to leverage different crashes discovered from two fuzzing approaches which can be used to enhance the effectiveness of fuzzers Cloud computing is also often associated with IoT and big data e.g. cloud enabled IoT systems and hence a survey of the cloud security literature and a survey of botnet detection approaches are presented in the book Finally game security solutions are studied and explained how one may circumvent such solutions This handbook targets the security privacy and forensics research community and big data research community including policy makers and government agencies public and private organizations policy makers Undergraduate and postgraduate students enrolled in cyber security and forensic programs will also find this handbook useful as a reference

**Music Engineering** Richard Brice, 2001-10-15 Richard Brice's highly illustrated guide to the technology and techniques of recording and playing back music covers everything from ancient valve amplifiers and microphones to the most up to date digital audio devices MIDI equipment and sequencers

**Telephoto Work** Henry Goodridge Deller, 1904 **Lithium-Ion Batteries: Basics and Applications** Reiner Korthauer, 2018-08-07 The handbook focuses on a complete outline of lithium ion batteries Just before starting with an exposition of the fundamentals of this system the book gives a short explanation of the newest cell generation The most important elements are described as negative positive electrode materials electrolytes seals and separators The battery disconnect unit and the battery management system are important parts of modern lithium ion batteries An economical faultless and efficient battery production is a must today and is represented with one chapter in the handbook Cross cutting issues like electrical chemical functional safety are further topics Last but not least standards and transportation themes are

the final chapters of the handbook The different topics of the handbook provide a good knowledge base not only for those working daily on electrochemical energy storage but also to scientists engineers and students concerned in modern battery systems

**The Friedman Archives Guide to Sony's A7C (B&W Edition)** Gary L. Friedman,2021-01-09 Gary Friedman is renown for ebooks that combine technical insights remarkable thoroughness and an easy to read style In this 720 page book every feature of the Sony Alpha 7C camera is described in remarkable detail Topics covered include Gary s personal camera settings All of the hidden features that are NOT in the menus All the different ways to tether the camera both wired and wireless All of the FTP options including how you can caption keyword and upload everything while still in the field His workflow for reducing high ISO noise using three different programs Untangling the alphabet soup that is video nomenclature How to communicate with your camera when it s off Join the legions of satisfied readers that have relied on Gary to get the most out of their digital cameras

**Proceedings of the International Congress on Information and Communication Technology** Suresh Chandra Satapathy,Yogesh Chandra Bhatt,Amit Joshi,Durgesh Kumar Mishra,2016-06-04 This volume contains 69 papers presented at ICICT 2015 International Congress on Information and Communication Technology The conference was held during 9th and 10th October 2015 Udaipur India and organized by CSI Udaipur Chapter Division IV SIG WNS SIG e Agriculture in association with ACM Udaipur Professional Chapter The Institution of Engineers India Udaipur Local Centre and Mining Engineers Association of India Rajasthan Udaipur Chapter This volume contains papers mainly focused on ICT for Managerial Applications E governance IOT and E Mining

**Microelectronics Education** Ton J. Mouthaan,Cora Salm,2012-12-06 Dear participant in the second European Workshop on Microelectronics Education It is a pleasure to present you the Proceedings of the Second European Workshop on Microelectronics Education and to welcome you at the Workshop The Organising Committee is very pleased that it has found several key persons with highly appreciated levels of knowledge and expertise willing to present Invited Contributions to this Workshop We have striven for an interesting spread over important areas like the expected demands for educated engineers in the wide field of Microelectronics and Microsystems in European industry and beyond and innovations in method and focus of our educational programmes This is the second European Workshop in this area the first one was held in Grenoble in France in the spring of 1996 It was the initiative of Georges Kamarinos Nadine Guillemot and Bernard Courtois to organise this Workshop because they felt that Microelectronics was at a turning point to become the core of the largest industry in the world and that this warranted a serious re consideration of our educational imperatives It is now two years since and their feeling has become reality nobody doubts that by the year 2000 the microelecnonics industry will be the largest industrial sector It is also obvious that because of that and because of the predicted shortfall of educated engineers we must continuously reconsider the quality of our educational approach

Out of this World A. Scott Howe,Brent Sherwood,2009 This collaborative book compiles 30 chapters on the theory and practice of designing and building inhabited

environments in outer space It is rich in graphics including diagrams design drawings digital renderings and photographs of models and operational designs **Ultimate Exakta Repair - a CLA and New Curtains for Your Camera** Miles Upton,2003-01-01 A complete and thorough DIY repair manual for Exakta VX and VXIIa cameras The step by step instructions combined with excellent photograph allow a high rate of success Much of the information specific to these models has never been published **The Hard Drive Bible** Martin Bodo,1996 THE HARD DRIVE BIBLE EIGHTH EDITION is the definitive reference book for anyone who deals with personal computer data storage devices of any kind This comprehensive work covers installations drive parameters 408 743 8787

diapers are not forever los pañales no son para - Jul 05 2023

web diapers are not forever los pan ales no son para siempre marieka heinlen illustrator summary 2014 2014 series best behavior series genre board books physical

**diapers are not forever los panales no son para s pdf** - May 23 2022

web super diaper baby 2 diapers are not forever los pañales no son para siempre clean up time everything i know about poop noses are not for picking sharing time

diapers are not forever los panales no son para s pdf - Dec 18 2021

**diapers are not forever los panales no son para s 2023** - Apr 21 2022

web oct 25 2023 novels like this diapers are not forever los panales no son para s but end up in infectious downloads rather than reading a good book with a cup of tea in the

diapers are not forever los pañales no son para siempre - Nov 28 2022

web 2 diapers are not forever los panales no son para s 2022 06 12 every day noses are not for picking anchor potty training for kids takes patience and practice and this

**diapers are not forever los pañales no son para siempre best** - Jul 25 2022

web pacifiers are not forever once upon a potty noses are not for picking diapers are not forever another encyclopedia of theme activities for young children tails are not for

*diapers are not forever los pañales no son para siempre* - Mar 01 2023

web read reviews and buy diapers are not forever los pañales no son para siempre best behavior by elizabeth verdick board book at target choose from same day

*diapers are not forever los panales no son para* - May 03 2023

web find helpful customer reviews and review ratings for diapers are not forever los pañales no son para siempre best

behavior board book series english and  
*diapers are not forever los panales no son para s pdf* - Jan 19 2022

*diapers are not forever los panales no son para s pdf* - Feb 17 2022

diapers are not forever los pañales no son para siempre best - Dec 30 2022

web diapers are not forever los panales no son para s 1 diapers are not forever los panales no son para s in the time of the butterflies try again time bye bye time

**diapers are not forever los panales no son para siembre** - Aug 06 2023

web jan 1 2008 read 26 reviews from the world s largest community for readers los panales no son para siempre best

behavior diapers are not forever los panales no son

*diapers are not forever los panales no son para siempre* - Jun 04 2023

web with diapers are not forever los pañales no son para siempre young children learn how to use the potty and why it s time to do so while gaining the courage and

**diapers are not forever los panales no son para s download** - Sep 26 2022

web 2 2 diapers are not forever los panales no son para s 2022 02 03 fun things to do without a pacifier and finally being pacifier free includes helpful tips for parents

**diapers are not forever los panales no son para s download** - Jun 23 2022

web isbn 9781575422961 reassuring words and colorful art ease the transition to becoming diaper free view book sample about the book learning to use the potty takes

diapers are not forever board book elizabeth verdick - Mar 21 2022

web oct 11 2023 to read just invest tiny mature to entrance this on line revelation diapers are not forever los panales no son para s as capably as evaluation them wherever you

*diapers are not forever los panales no son para s db csda* - Aug 26 2022

web diapers are not forever los panales no son para s omb no 7285874421169 edited by brycen barker outlaw pete free spirit publishing 2 diapers are not forever

diapers are not forever los pañales no son para siempre - Oct 28 2022

web diapers are not forever los pañales no son para siempre best behavior english and spanish edition by elizabeth verdick 2014 05 09 on amazon com free shipping

amazon com customer reviews diapers are not forever los - Jan 31 2023



web dec 18 2014 potty training for kids takes patience and practice and this charming straightforward book helps pave the way with diapers are not forever los pañales

**diapers are not forever los pañales no son para siempre** - Apr 02 2023

web with diapers are not forever los pañales no son para siempre young children learn how to use the potty and why it s time to do so while gaining the courage and

*diapers are not forever los pañales no son para siempre* - Sep 07 2023

web diapers are not forever los panales no son para siembre author elizabeth verdick illustrated by marieka heinlen product code 424293 board book isbn 978 1 57542

*diapers are not forever los pañales no son para* - Oct 08 2023

web diapers are not forever los pan ales no son para siempre verdick elizabeth free download borrow and streaming internet archive

**british and american festivities a2 niveau erk google books** - Nov 06 2022

web feb 18 2013 this unique book explores the origins of our festivities their historical significance and how we celebrate them today the audio cd contains recordings in both american english and british english

*british and american festivities isl collective* - Dec 07 2022

web british and american festivities english esl worksheets pdf doc english esl worksheets general topics culture intercultural communication cross cultural communication

**9 ways uk festivals are different than us festivals** - Apr 11 2023

web jun 27 2022 9 ways uk festivals are different than us festivals you d be shocked to hear how different cultures around the world get down at festivals here are the biggest differences between festivals in the uk vs the united states kloudia sakowski jun

*british and american festivities englishbooks com tr* - May 12 2023

web sep 3 2023 british and american festivities by english books september 03 2023 british and american festivities green apple level a2 by gina d b clemen

**pdf british and american festivities pdf free download pdf** - Aug 15 2023

web oct 18 2017 british and american festivities pdf october 18 2017 author varkriszti category teaspoon christopher columbus guy fawkes halloween thanksgiving report this link download pdf

*british and american festivities pdf halloween easter scribd* - Jan 28 2022

web british and american festivities free download as word doc doc pdf file pdf text file txt or read online for free british and american festivities

**british and american festivities pdf scribd** - Mar 30 2022

web find out about the origins of british and american festivities and how they are celebrated today in this beautifully illustrated book

**list of british uk holidays celebrations and festivals** - Jun 13 2023

web there are many kinds of celebrations in britain ranging from royal to religious and from traditional to modern learn more about this great country s rich and vibrant special occasions in this year long roundup

*Праздники и традиции Праздники в Великобритании* - Feb 26 2022

web aug 5 2015 Но к сожалению британцев официальных выходных official holidays не так уж и много календарь праздников на 2015 год st patrick s day День Св Патрика st andrew s day День Св Андрея Как заметно из таблицы

*british and american festivities clemen d b gina english e* - Jul 02 2022

web read online or download for free graded reader ebook and audiobook british and american festivities by clemen d b gina of pre intermediate level you can download in epub mobi fb2 rtf txt mp3

**british and american festivities pdf google drive** - Jul 14 2023

web you may be offline or with limited connectivity

**british and american festivities academia edu** - Feb 09 2023

web british and american festivities by gina d b clemen 1 42 contents chapter one columbus day 3 chapter two halloween 5 chapter three guy fawkes night 7 chapter four thanksgiving 9 chapter five christmas 11 chapter six new year s eve 16 chapter seven new year s day 19 chapter eight chinese new year 22

**english festivals wikipedia** - Mar 10 2023

web the festivities begin a day before on 31 december when parties are held to bring in the new year public events are also organised where firework displays are arranged according to whistler 2015 during the 18th century first footing was not known in

[british and american festivities pdf google drive](#) - Sep 04 2022

web view details request a review learn more

**british and american festivities academia edu** - Dec 27 2021

web a case study on comparison of typical chinese and western festivals casestudies journal with the integration of global economy aggravating cultural exchanges among nations become broader and more frequent meanwhile some typical foreign festivals and culture have diffused into china and become popular

*british and american festivities archive org* - Jan 08 2023

web jun 30 2016 british and american festivities topics british and american festivities british and american festivities

addeedate 2016 06 30 21 14 25 identifier britishandamericanfestivities scanner

**british and american festivities pdf slideshare** - Apr 30 2022

web apr 16 2017 b big easter egg hunt c g easter bonnet parade 2 on easter monday in america there a g is a traditional easter egg hunt in every city and town b are traditional egg games in the white house gardens c is a concert in central park 3 the british usually eat hot cross buns a on holy thursday

british and american festivities yumpu - Aug 03 2022

web jan 5 2013 page 1 and 2 british and american festivities by page 3 and 4 chapter one columbus day the secon page 5 and 6 chapter two halloween halloween page 7 and 8 chapter three guy fawkes night th page 9 and 10 chapter four thanksgiving thanksgi page 11 and 12 chapter five christmas on 25 decem page 13 and 14

**british and american festivities pdf pdf teaspoon scribd** - Jun 01 2022

web british and american festivities abraham lincoln greeting african americans by an unknown artist national cemetery at the place of the battle he gave a famous speech called the gettysburg ad dr e ss expressing the principles of democratic government

british and american festivities gina d b clemen cideb - Oct 05 2022

web british and american festivities book pp 128 cd isbn 9788853001948 9 80 ecommerce closed our store is temporarily closed due to a warehouse move why do we celebrate halloween do you want to surprise your sweetheart with a special valentine card from loveland usa who invented the christmas card

mountains of the mind a history of a fascination paperback - Feb 09 2023

web buy mountains of the mind a history of a fascination 2018 by robert macfarlane isbn 9781783784509 from amazon s book store everyday low prices and free delivery on eligible orders

**mountains of the mind a history of a fascination worldcat org** - Jun 01 2022

web mountains of the mind a history of a fascination robert macfarlane since they were once avoided at all costs how have mountains in the space of three centuries come to exert such a strange and sometimes fatal hold on

**mountains of the mind a history of a fascination emerald insight** - Sep 04 2022

web apr 1 2004 mountains geology landforms citation hannabuss s 2004 mountains of the mind a history of a fascination reference reviews vol 18 no 3 pp 49 50 doi org 10 1108 09504120410528379

**mountains of the mind a history of a fascination the storygraph** - Feb 26 2022

web combining accounts of legendary mountain ascents with vivid descriptions of his own forays into wild high landscapes robert mcfarlane reveals how the mystery of the world s highest places has come to grip the western imagination and perennially read more community reviews summary of 252 reviews moods informative 91 adventurous 85

**mountains of the mind a history of a fascination google books** - May 12 2023

web in mountains of the mind robert macfarlane blends cultural history meditation and memoir to show how early geologists helped transform our perceptions of the wild chaotic landscapes how

mountains of the mind a history of a fascination paperback - Mar 30 2022

web mountains of the mind a history of a fascination macfarlane robert amazon com au books books sports outdoors fishing birdwatching other outdoor pursuits buy new 19 25 rrp 24 99 save 5 74 23 free delivery on first order select delivery location only 4 left in stock more on the way quantity buy now payment

**mountains of the mind a history of a fascination** - Jan 28 2022

web nov 9 2017 in macfarlane s mountains of the mind he sets out to explain what drives people to the mountains in their droves and especially what drives those who are prepared to risk their lives in pursuit of a particular summit

mountains of the mind a history of a fascination amazon com - Jun 13 2023

web jul 2 2009 in this ground breaking classic work robert macfarlane takes us up into the mountains to experience their shattering beauty the fear and risk of adventure and to explore the strange impulses that have for centuries lead us

**mountains of the mind a history of a fascination amazon com tr** - Apr 11 2023

web mountains of the mind a history of a fascination robert macfarlane amazon com tr kitap

**mountains of the mind a history of a fascination google books** - Nov 06 2022

web in mountains of the mind robert macfarlane blends cultural history meditation and memoir to show how early geologists helped transform our perceptions of the wild chaotic landscapes how the allure of height increasingly drew fearless climbers culminating in the romantic figure of george mallory the passionate englishman who died on mount

mountains of the mind a history of a fascination amazon com tr - Dec 07 2022

web mountains of the mind a history of a fascination macfarlane robert amazon com tr spor ve outdoor

**mountains of the mind a history of a fascination macfarlane** - Oct 05 2022

web mountains of the mind a history of a fascination by macfarlane robert 1976 publication date 2003 topics mountaineering history mountaineering psychological aspects mountaineers mountaineering publisher london granta books

**mountains of the mind a history of a fascination amazon co uk** - Dec 27 2021

web may 1 2021 well having finally got round to reading mountains of the mind i wasn t left disappointed and never have been by any of robert macfarlane s works this one is written in typical macfarlane style the sub title of the book is a history of a fascination and that is very much what it is a history of humankind s fascination with mountainous areas

*mountains of the mind wikipedia* - Jul 14 2023

web mountains of the mind a history of a fascination is a book by british writer robert macfarlane published in 2003 about

the history of the human fascination with mountains the book takes its title from a line by the poet Gerard Manley Hopkins and combines history with first person narrative

[mountains of the mind a history of a fascination](#) - Jul 02 2022

web winner of the Guardian First Book Award once we thought monsters lived there in the enlightenment we scaled them to commune with the sublime soon we were racing to conquer their summits in the name of national pride in this ground breaking classic work Robert Macfarlane takes us up into the mountains to experience their

[mountains of the mind a history of a fascination](#) worldcat.org - Aug 03 2022

web mountains of the mind a history of a fascination author Robert Macfarlane summary since they were once avoided at all costs how have mountains in the space of three centuries come to exert such a strange and sometimes fatal hold on the imagination moving millions every year to risk their lives

*mountains of the mind a history of a fascination* google books - Mar 10 2023

web Jul 2 2009 in this ground breaking classic work Robert Macfarlane takes us up into the mountains to experience their shattering beauty the fear and risk of adventure and to explore the strange impulses

*mountains of the mind a history of a fascination* google books - Jan 08 2023

web mountains of the mind a history of a fascination mountains of the mind Robert Macfarlane Granta Books 2008 mountaineering 306 pages mountains of the mind is a beautifully written

**mountains of the mind a history of a fascination** goodreads - Aug 15 2023

web May 8 2003 mountains of the mind a history of a fascination Robert Macfarlane 4.09 4.193 ratings 441 reviews

mountains of the mind traces the historical antecedents that shaped our popular conception of the great outdoors

[mountains of the mind a history of a fascination](#) kindle edition - Apr 30 2022

web Jul 2 2009 Amazon review Robert Macfarlane's *Mountains of the Mind* the book is organised around a series of features of mountaineering glaciers summits unknown ranges and each chapter explores the scientific artistic and cultural discoveries and fashions that accompanied exploration

Ignite the flame of optimism with is motivational masterpiece, **Sony Nex C3 Manual Download** . In a downloadable PDF format ( \*), this ebook is a beacon of encouragement. Download now and let the words propel you towards a brighter, more motivated tomorrow.

[https://offsite.creighton.edu/files/virtual-library/Documents/lonesome\\_dove\\_books\\_order.pdf](https://offsite.creighton.edu/files/virtual-library/Documents/lonesome_dove_books_order.pdf)

[https://offsite.creighton.edu/files/virtual-library/Documents/life\\_insurance\\_denial\\_appeal\\_letter.pdf](https://offsite.creighton.edu/files/virtual-library/Documents/life_insurance_denial_appeal_letter.pdf)

[https://offsite.creighton.edu/files/virtual-library/Documents/life\\_science\\_practice\\_test.pdf](https://offsite.creighton.edu/files/virtual-library/Documents/life_science_practice_test.pdf)

## **Table of Contents Sony Nex C3 Manual Download**

1. Understanding the eBook Sony Nex C3 Manual Download
  - The Rise of Digital Reading Sony Nex C3 Manual Download
  - Advantages of eBooks Over Traditional Books
2. Identifying Sony Nex C3 Manual Download
  - Exploring Different Genres
  - Considering Fiction vs. Non-Fiction
  - Determining Your Reading Goals
3. Choosing the Right eBook Platform
  - Popular eBook Platforms
  - Features to Look for in an Sony Nex C3 Manual Download
  - User-Friendly Interface
4. Exploring eBook Recommendations from Sony Nex C3 Manual Download
  - Personalized Recommendations
  - Sony Nex C3 Manual Download User Reviews and Ratings

- Sony Nex C3 Manual Download and Bestseller Lists
- 5. Accessing Sony Nex C3 Manual Download Free and Paid eBooks
  - Sony Nex C3 Manual Download Public Domain eBooks
  - Sony Nex C3 Manual Download eBook Subscription Services
  - Sony Nex C3 Manual Download Budget-Friendly Options
- 6. Navigating Sony Nex C3 Manual Download eBook Formats
  - ePub, PDF, MOBI, and More
  - Sony Nex C3 Manual Download Compatibility with Devices
  - Sony Nex C3 Manual Download Enhanced eBook Features
- 7. Enhancing Your Reading Experience
  - Adjustable Fonts and Text Sizes of Sony Nex C3 Manual Download
  - Highlighting and Note-Taking Sony Nex C3 Manual Download
  - Interactive Elements Sony Nex C3 Manual Download
- 8. Staying Engaged with Sony Nex C3 Manual Download
  - Joining Online Reading Communities
  - Participating in Virtual Book Clubs
  - Following Authors and Publishers Sony Nex C3 Manual Download
- 9. Balancing eBooks and Physical Books Sony Nex C3 Manual Download
  - Benefits of a Digital Library
  - Creating a Diverse Reading Collection Sony Nex C3 Manual Download
- 10. Overcoming Reading Challenges
  - Dealing with Digital Eye Strain
  - Minimizing Distractions
  - Managing Screen Time
- 11. Cultivating a Reading Routine Sony Nex C3 Manual Download
  - Setting Reading Goals Sony Nex C3 Manual Download
  - Carving Out Dedicated Reading Time
- 12. Sourcing Reliable Information of Sony Nex C3 Manual Download
  - Fact-Checking eBook Content of Sony Nex C3 Manual Download
  - Distinguishing Credible Sources

13. Promoting Lifelong Learning
  - Utilizing eBooks for Skill Development
  - Exploring Educational eBooks
14. Embracing eBook Trends
  - Integration of Multimedia Elements
  - Interactive and Gamified eBooks

### **Sony Nex C3 Manual Download Introduction**

In the digital age, access to information has become easier than ever before. The ability to download Sony Nex C3 Manual Download has revolutionized the way we consume written content. Whether you are a student looking for course material, an avid reader searching for your next favorite book, or a professional seeking research papers, the option to download Sony Nex C3 Manual Download has opened up a world of possibilities. Downloading Sony Nex C3 Manual Download provides numerous advantages over physical copies of books and documents. Firstly, it is incredibly convenient. Gone are the days of carrying around heavy textbooks or bulky folders filled with papers. With the click of a button, you can gain immediate access to valuable resources on any device. This convenience allows for efficient studying, researching, and reading on the go. Moreover, the cost-effective nature of downloading Sony Nex C3 Manual Download has democratized knowledge. Traditional books and academic journals can be expensive, making it difficult for individuals with limited financial resources to access information. By offering free PDF downloads, publishers and authors are enabling a wider audience to benefit from their work. This inclusivity promotes equal opportunities for learning and personal growth. There are numerous websites and platforms where individuals can download Sony Nex C3 Manual Download. These websites range from academic databases offering research papers and journals to online libraries with an expansive collection of books from various genres. Many authors and publishers also upload their work to specific websites, granting readers access to their content without any charge. These platforms not only provide access to existing literature but also serve as an excellent platform for undiscovered authors to share their work with the world. However, it is essential to be cautious while downloading Sony Nex C3 Manual Download. Some websites may offer pirated or illegally obtained copies of copyrighted material. Engaging in such activities not only violates copyright laws but also undermines the efforts of authors, publishers, and researchers. To ensure ethical downloading, it is advisable to utilize reputable websites that prioritize the legal distribution of content. When downloading Sony Nex C3 Manual Download, users should also consider the potential security risks associated with online platforms. Malicious actors may exploit vulnerabilities in unprotected websites to distribute malware or steal personal information. To protect themselves, individuals should ensure their devices have reliable antivirus software installed and



validate the legitimacy of the websites they are downloading from. In conclusion, the ability to download Sony Nex C3 Manual Download has transformed the way we access information. With the convenience, cost-effectiveness, and accessibility it offers, free PDF downloads have become a popular choice for students, researchers, and book lovers worldwide. However, it is crucial to engage in ethical downloading practices and prioritize personal security when utilizing online platforms. By doing so, individuals can make the most of the vast array of free PDF resources available and embark on a journey of continuous learning and intellectual growth.

### **FAQs About Sony Nex C3 Manual Download Books**

How do I know which eBook platform is the best for me? Finding the best eBook platform depends on your reading preferences and device compatibility. Research different platforms, read user reviews, and explore their features before making a choice. Are free eBooks of good quality? Yes, many reputable platforms offer high-quality free eBooks, including classics and public domain works. However, make sure to verify the source to ensure the eBook credibility. Can I read eBooks without an eReader? Absolutely! Most eBook platforms offer webbased readers or mobile apps that allow you to read eBooks on your computer, tablet, or smartphone. How do I avoid digital eye strain while reading eBooks? To prevent digital eye strain, take regular breaks, adjust the font size and background color, and ensure proper lighting while reading eBooks. What the advantage of interactive eBooks? Interactive eBooks incorporate multimedia elements, quizzes, and activities, enhancing the reader engagement and providing a more immersive learning experience. Sony Nex C3 Manual Download is one of the best book in our library for free trial. We provide copy of Sony Nex C3 Manual Download in digital format, so the resources that you find are reliable. There are also many Ebooks of related with Sony Nex C3 Manual Download. Where to download Sony Nex C3 Manual Download online for free? Are you looking for Sony Nex C3 Manual Download PDF? This is definitely going to save you time and cash in something you should think about. If you trying to find then search around for online. Without a doubt there are numerous these available and many of them have the freedom. However without doubt you receive whatever you purchase. An alternate way to get ideas is always to check another Sony Nex C3 Manual Download. This method for see exactly what may be included and adopt these ideas to your book. This site will almost certainly help you save time and effort, money and stress. If you are looking for free books then you really should consider finding to assist you try this. Several of Sony Nex C3 Manual Download are for sale to free while some are payable. If you arent sure if the books you would like to download works with for usage along with your computer, it is possible to download free trials. The free guides make it easy for someone to free access online library for download books to your device. You can get free download on free trial for lots of books categories. Our library is the biggest of these that have literally hundreds of thousands of

different products categories represented. You will also see that there are specific sites catered to different product types or categories, brands or niches related with Sony Nex C3 Manual Download. So depending on what exactly you are searching, you will be able to choose e books to suit your own need. Need to access completely for Campbell Biology Seventh Edition book? Access Ebook without any digging. And by having access to our ebook online or by storing it on your computer, you have convenient answers with Sony Nex C3 Manual Download To get started finding Sony Nex C3 Manual Download, you are right to find our website which has a comprehensive collection of books online. Our library is the biggest of these that have literally hundreds of thousands of different products represented. You will also see that there are specific sites catered to different categories or niches related with Sony Nex C3 Manual Download So depending on what exactly you are searching, you will be able to choose ebook to suit your own need. Thank you for reading Sony Nex C3 Manual Download. Maybe you have knowledge that, people have search numerous times for their favorite readings like this Sony Nex C3 Manual Download, but end up in harmful downloads. Rather than reading a good book with a cup of coffee in the afternoon, instead they juggled with some harmful bugs inside their laptop. Sony Nex C3 Manual Download is available in our book collection an online access to it is set as public so you can download it instantly. Our digital library spans in multiple locations, allowing you to get the most less latency time to download any of our books like this one. Merely said, Sony Nex C3 Manual Download is universally compatible with any devices to read.

### **Find Sony Nex C3 Manual Download :**

[lonesome dove books order](#)

[life insurance denial appeal letter](#)

[life science practice test](#)

**ludlum and king**

[love monster pdf](#)

[lord of the flies chapter summaries pdf](#)

[litany of trust text](#)

**list of animals that fart**

[lord of the flies all characters](#)

[loan agreement between employer and employee](#)

**lindsay and lindsay auto detailing**

[lion sleeps tonight sheet music](#)

**little wishes big dreams daycare**

lord of the flies novel guide

**linear algebra vs calculus 3**

**Sony Nex C3 Manual Download :**