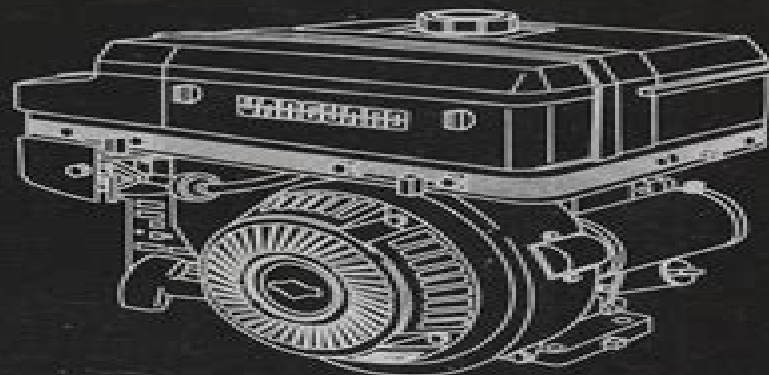
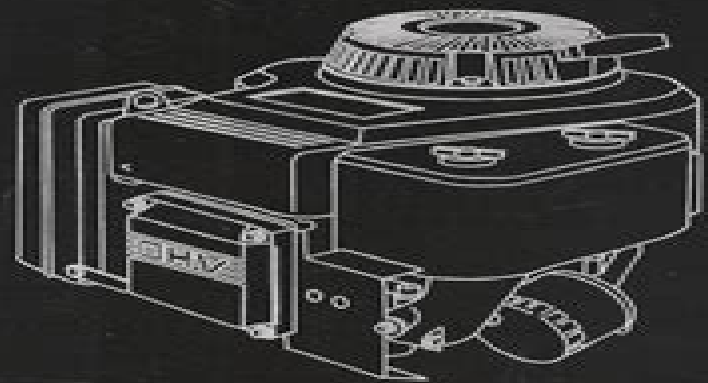
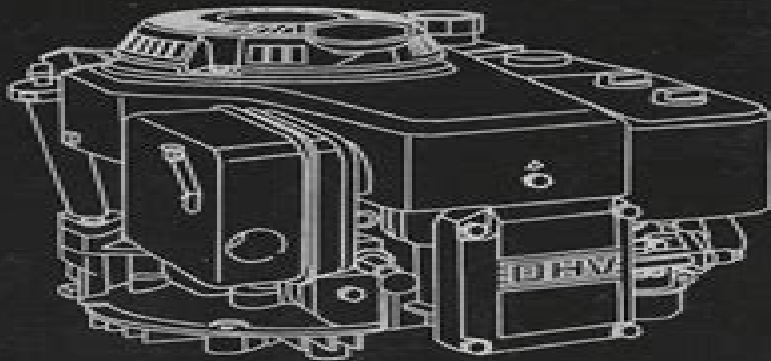




VANGUARD

Repair Manual

For Single Cylinder OHV Engines



Briggs Repair Manuals

Daniel London



Briggs Repair Manuals

Briggs and Stratton Service and Repair Manual ,1977 Briggs & Stratton Repair Manual for Single Cylinder 4-cycle Engines ,1994 Briggs & Stratton L-Head Engine Service Penton Staff,2000-05-24 Clymer Manuals ProSeries Briggs Stratton 2 0 12 5 hp single cylinder L head aluminum engine repair manual covers more than 55 models Briggs & Stratton Twin Cylinder Repair Manual , Two-Stroke Engine Repair and Maintenance Paul Dempsey,2009-12-01 Get Peak Performance from Two Stroke Engines Do you spend more time trying to start your weed trimmer than you do enjoying your backyard With this how to guide you can win the battle with the temperamental two stroke engine Written by long time mechanic and bestselling author Paul Dempsey Two Stroke Engine Repair Maintenance shows you how to fix the engines that power garden equipment construction tools portable pumps mopeds generators trolling motors and more Detailed drawings schematics and photographs along with step by step instructions make it easy to get the job done quickly Save time and money when you learn how to Troubleshoot the engine to determine the source of the problem Repair magnetos and solid state systems both analog and digital ignition modules Adjust and repair float type diaphragm and variable venturi carburetors Fabricate a crankcase pressure tester Fix rewind starters of all types Overhaul engines replace crankshaft seals main bearings pistons and rings Work with centrifugal clutches V belts chains and torque converters *Briggs & Stratton V-twin Cylinder Ohv Repair Manual* Briggs & Stratton Corporation,1991 *Briggs & Stratton Repair Instructions III.* Briggs & Stratton Corporation,196? *Briggs & Stratton Single Cylinder "L" Head (built After 1981) Repair Manual* Briggs & Stratton Corporation,2003 Briggs & Stratton Joan Coles,Clarence W. Coles,1998-05 Covers 4 stroke single cylinder engines from the 1950s forward Keywords General Interest Manuals *Briggs & Stratton L-Head Engine Service* Penton Staff,2000-05-24 Clymer Manuals ProSeries Briggs Stratton 2 0 12 5 hp single cylinder L head aluminum engine repair manual covers more than 55 models **Briggs and Stratton Repair Instructions II.** Briggs & Stratton Corp,19??

Small Engine Care & Repair Daniel London,2003 Complete maintenance and repair instructions with full color photos and illustrations *Haynes Small Engine Manual* Martynn Randall,2005 The definitive DIY manual on small petrol engines up to 5 5 hp used in lawn mowers rotovators generators compressors pumps mini bikes karts etc General chapters on maintenance fault finding and repair apply to all single cylinder air cooled engines Detailed chapters cover the following Briggs Stratton MAX 4hp 4 stroke Briggs Stratton Intek Europa OHV Briggs Stratton Quantum 55 L head Briggs Stratton I C L head 5 hp Briggs Stratton 35 Sprint Classic 2 6 kW Honda GXV 120 OHV Honda GCV 135 OHC Tecumseh 3 5 hp Vantage 35 4 stroke Tecumseh MV100S 2 stroke **Service and Repair Instructions** Briggs and Stratton,1979 **Small Engines and Outdoor Power Equipment, Updated 2nd Edition** Editors of Cool Springs Press,2020-09-29 This updated edition of the best selling Small Engines and Power Equipment is more than a simple engine repair manual Designed for the beginner

with little or no mechanical experience this book is a graphically appealing step by step guide that covers all of the most important engine maintenance and repair skills you ll need to keep your equipment running at peak performance It also shows exactly how to perform mechanical upkeep and repairs on the most common outdoor power implements With new and improved content for today s motorized equipment this DIY bible includes engine and mechanical repair plus maintenance instruction for all your outdoor power equipment including lawn mowers snow blowers chain saws power washers generators leaf blowers rototillers wood splitters lawn edgers and weed whips With clear how to photos and detailed diagrams you ll see exactly what needs to be done A comprehensive troubleshooting guide helps you define problems and enact solutions Among the many skills you ll learn are seasonal tune ups changing oil servicing spark plugs cleaning filters replacing muffler servicing the fuel tank overhauling the carburetor servicing brakes inspecting flywheels replacing the fuel pump and replacing a rewind cord With **Small Engines and Outdoor Power Equipment 2nd Edition** in your library you won t need to haul the lawn mower off to the repair center and wait a few weeks just because a filter is plugged or the old gas needs to be replaced This is a book every home owning weekend warrior should have a copy of **Small Engines** Universal Publishers,1990 Briggs and Stratton four stroke Series 92502 92900 92906 100902 110908 180902 Kirby Tecumseh Lauson 4 stroke VK30 LK40 2 stroke KAV74 K7 KAV87 K9 K11 Villiers two stroke Troque Major 140 Deluxem 142 Deluxe Kirby four stroke LV22 LV30 VK30 VK40 HK25 Victa two stroke 85cc 125cc 169cc Power Torque **Repair Manual for Single Cylinder 4-cycle Engines** ,1992 Small Engine Repair John Haynes,1990-12-23 A comprehensive manual covering everything you need to know about small engine repair and maintenance Includes step by step instructions and hundreds of photos All there is to know about Small Engine Repair for up to and including 5 HP engines Includes Briggs Stratton Honda Sears Craftsman and Tecumseh Maintenance Repair Troubleshooting Book Summary Tools and equipment Shop practices and safety Troubleshooting Tune up and maintenance procedures Carburetor adjustment and overhaul Ignition system servicing Recoil starter repairs Repair and overhaul instructions Comprehensive specs Table of Contents Introduction Chapter 1 Setting up shop Chapter 2 General shop practices Chapter 3 Troubleshooting Chapter 4 Tune up and routine maintenance Chapter 5 Repair procedures common to all engines Chapter 6 Briggs Stratton engines Chapter 7 Tecumseh Craftsman engines Chapter 8 Honda engines **Small Engine Repair Manual** Curt Choate,Robert Jex,1991 Chilton's Guide to Small Engine Repair, 6 to 20 Hp ,1983-01-01 Spine title Chilton small engine repair up to 6 Hp Covers the maintenance and repair of small engines diagnosis of common problems off season storage and component safety

Designing Engineers: An Introductory Text A resource section provides brief reference material on economics, failure and risk, probability and statistics, principles & problem solving, and estimation. Designing Engineers: An Introductory Text, McCahan ... The book begins with a brief orientation to the design process, followed by coverage of the design process in a

series of short modules. The rest of the ... Designing Engineers: An Introductory Text Designing Engineers First Edition is written in short modules, where each module is built around a specific learning outcome and is cross-referenced to the ... Designing Engineers: An Introductory Text, 1st Edition The book begins with a brief orientation to the design process, followed by coverage of the design process in a series of short modules. The rest of the ... Does anyone have the pdf for Designing Engineers, An ... Designing Engineers, An Introductory Text, McCahan, Anderson, Kortschot, Weiss, Woodhouse, 1st Edition, John Wiley and Sons Inc. Designing Engineers: An Introductory Text (Loose Leaf) Jul 13, 2015 — Designing Engineers 1st Edition Binder Ready Version is written in short modules, where each module is built around a specific learning outcome ... Designing Engineers: An Introductory Text (Paperback) Jan 27, 2015 — Designing Engineers First Edition is written in short modules, where each module is built around a specific learning outcome and is cross- ... Designing Engineers: An Introductory Text Designing Engineers: An Introductory Textbook has been created to meet this need. It has evolved from one of the largest and most successful first-year ... Designing Engineers Introductory Text by Susan Mccahan Designing Engineers: An Introductory Text by Susan Mccahan, Philip Anderson, Mark Kortschot and a great selection of related books, art and collectibles ... Designing Engineers: An Introductory Text Or just \$43.76 ; About This Item. UsedGood. Book is in good condition and may contain underlining or highlighting and minimal wear. The book can also include ... Standard Aircraft Handbook for Mechanics and ... Jan 6, 2021 — Thoroughly revised to cover the latest advances in the industry, this Eighth Edition includes essential information on composite materials, ... Standard Aircraft Handbook - Seventh Edition For more than 60 years, the Standard Aircraft Handbook for Mechanics and Technicians has been the trusted resource for building, maintaining, overhauling, and ... Standard Aircraft Handbook for Mechanics and ... For over 60 years, the Standard Aircraft Handbook for Mechanics and Technicians has been the go-to manual for building, maintaining, overhauling, and repairing ... Standard Aircraft Handbook for Mechanics and Technicians This is the definitive manual for aviation mechanics and technicians who build, overhaul, and maintain all-metal aircraft, from Cessna 150s to Boeing 747s. Standard Aircraft Handbook by Ronald Sterkenburg and Peng Mechanics and Technicians has been the trusted resource for building, maintaining, overhauling, and repairing aircraft. This hardcover illustrated guide ... Standard Aircraft Handbook - eBook For over 60 years, the Standard Aircraft Handbook for Mechanics and Technicians has been the go-to manual for building, maintaining, overhauling, and repairing ... Standard Aircraft Handbook - 8th Edition Standard Aircraft Handbook for Mechanics and Technicians coverage includes: Tools and their proper use; Materials and fabricating; Drilling and countersinking ... Standard Aircraft Handbook for Mechanics and ... The practical, on-the-job aircraft manual--now fully updated For more than 60 years, the Standard Aircraft Handbook for Mechanics and Technicians. Standard Aircraft Handbook for Mechanics and Technicians The Standard Aircraft Handbook for Mechanics and Technicians is presented in shop terms for the mechanics and technicians engaged in building, maintaining ... Standard Aircraft Handbook For over 60

years, the Standard Aircraft Handbook for Mechanics and Technicians has been the go-to manual for building, maintaining, overhauling, and repairing ... Entrepreneurship: Ideas in Action by Greene, Cynthia L. This text encourages students to examine all the major steps involved in starting a new business: Ownership, Strategy, Finance, and Marketing. As students ... Workbook for Greene's Entrepreneurship: Ideas in Action Workbook for Greene's Entrepreneurship: Ideas in Action. 4th Edition. ISBN-13: 978-0538446167, ISBN-10: 0538446161. 4.1 4.1 out of 5 stars 11 Reviews. 4.1 on ... Entrepreneurship Ideas in Action Instructor's Edition by ... Entrepreneurship Ideas in Action Instructor's Edition by Cynthia L Greene. Cynthia L Greene. Published by South-Western Cengage Learning. ENTREPRENEURSHIP Ideas in Action ... Entrepreneurship: Ideas in Action,. Fourth Edition. Cynthia L. Greene. Vice President of Editorial, Business: Jack W. Calhoun. Vice President/Editor-in-Chief ... Entrepreneurship: Ideas in Action (with CD-ROM) ENTREPRENEURSHIP: IDEAS IN ACTION 4E provides you with the knowledge needed to realistically evaluate your potential as a business owner. Entrepreneurship Ideas in Action (with CD-ROM) | Rent COUPON: RENT Entrepreneurship Ideas in Action (with CD-ROM) 4th edition (9780538446266) and save up to 80% on textbook rentals and 90% on used textbooks ... Entrepreneurship : Ideas in Action by Cynthia L. Greene ... ENTREPRENEURSHIP: IDEAS IN ACTION 4E provides you with the knowledge needed to realistically evaluate your potential as a business owner. As you complete the ... Entrepreneurship Ideas in Action Edition:4th ISBN: ... Description: ENTREPRENEURSHIP: IDEAS IN ACTION 4E provides you with the knowledge needed to realistically evaluate your potential as a business owner. Entrepreneurship: Ideas in Action - Cynthia L. Greene Feb 12, 2008 — ENTREPRENEURSHIP: IDEAS IN ACTION 4E provides you with the knowledge needed to realistically evaluate your potential as a business owner.

Getting the books **Briggs Repair Manuals** now is not type of challenging means. You could not forlorn going bearing in mind ebook growth or library or borrowing from your friends to contact them. This is an certainly simple means to specifically get guide by on-line. This online notice Briggs Repair Manuals can be one of the options to accompany you behind having supplementary time.

It will not waste your time. put up with me, the e-book will very appearance you extra matter to read. Just invest little get older to get into this on-line notice **Briggs Repair Manuals** as skillfully as evaluation them wherever you are now.

https://offsite.creighton.edu/files/virtual-library/Documents/official_eiffel_tower_website.pdf

https://offsite.creighton.edu/files/virtual-library/Documents/nursing_diagnosis_for_gerd.pdf

https://offsite.creighton.edu/files/virtual-library/Documents/no_excuses_brian_tracy_summary.pdf

Table of Contents Briggs Repair Manuals

1. Understanding the eBook Briggs Repair Manuals
 - The Rise of Digital Reading Briggs Repair Manuals
 - Advantages of eBooks Over Traditional Books
2. Identifying Briggs Repair Manuals
 - Exploring Different Genres
 - Considering Fiction vs. Non-Fiction
 - Determining Your Reading Goals
3. Choosing the Right eBook Platform
 - Popular eBook Platforms
 - Features to Look for in an Briggs Repair Manuals

- User-Friendly Interface
- 4. Exploring eBook Recommendations from Briggs Repair Manuals
 - Personalized Recommendations
 - Briggs Repair Manuals User Reviews and Ratings
 - Briggs Repair Manuals and Bestseller Lists
- 5. Accessing Briggs Repair Manuals Free and Paid eBooks
 - Briggs Repair Manuals Public Domain eBooks
 - Briggs Repair Manuals eBook Subscription Services
 - Briggs Repair Manuals Budget-Friendly Options
- 6. Navigating Briggs Repair Manuals eBook Formats
 - ePub, PDF, MOBI, and More
 - Briggs Repair Manuals Compatibility with Devices
 - Briggs Repair Manuals Enhanced eBook Features
- 7. Enhancing Your Reading Experience
 - Adjustable Fonts and Text Sizes of Briggs Repair Manuals
 - Highlighting and Note-Taking Briggs Repair Manuals
 - Interactive Elements Briggs Repair Manuals
- 8. Staying Engaged with Briggs Repair Manuals
 - Joining Online Reading Communities
 - Participating in Virtual Book Clubs
 - Following Authors and Publishers Briggs Repair Manuals
- 9. Balancing eBooks and Physical Books Briggs Repair Manuals
 - Benefits of a Digital Library
 - Creating a Diverse Reading Collection Briggs Repair Manuals
- 10. Overcoming Reading Challenges
 - Dealing with Digital Eye Strain
 - Minimizing Distractions
 - Managing Screen Time
- 11. Cultivating a Reading Routine Briggs Repair Manuals
 - Setting Reading Goals Briggs Repair Manuals

- Carving Out Dedicated Reading Time
- 12. Sourcing Reliable Information of Briggs Repair Manuals
 - Fact-Checking eBook Content of Briggs Repair Manuals
 - Distinguishing Credible Sources
- 13. Promoting Lifelong Learning
 - Utilizing eBooks for Skill Development
 - Exploring Educational eBooks
- 14. Embracing eBook Trends
 - Integration of Multimedia Elements
 - Interactive and Gamified eBooks

Briggs Repair Manuals Introduction

In the digital age, access to information has become easier than ever before. The ability to download Briggs Repair Manuals has revolutionized the way we consume written content. Whether you are a student looking for course material, an avid reader searching for your next favorite book, or a professional seeking research papers, the option to download Briggs Repair Manuals has opened up a world of possibilities. Downloading Briggs Repair Manuals provides numerous advantages over physical copies of books and documents. Firstly, it is incredibly convenient. Gone are the days of carrying around heavy textbooks or bulky folders filled with papers. With the click of a button, you can gain immediate access to valuable resources on any device. This convenience allows for efficient studying, researching, and reading on the go. Moreover, the cost-effective nature of downloading Briggs Repair Manuals has democratized knowledge. Traditional books and academic journals can be expensive, making it difficult for individuals with limited financial resources to access information. By offering free PDF downloads, publishers and authors are enabling a wider audience to benefit from their work. This inclusivity promotes equal opportunities for learning and personal growth. There are numerous websites and platforms where individuals can download Briggs Repair Manuals. These websites range from academic databases offering research papers and journals to online libraries with an expansive collection of books from various genres. Many authors and publishers also upload their work to specific websites, granting readers access to their content without any charge. These platforms not only provide access to existing literature but also serve as an excellent platform for undiscovered authors to share their work with the world. However, it is essential to be cautious while downloading Briggs Repair Manuals. Some websites may offer pirated or illegally obtained copies of copyrighted material. Engaging in such activities not only violates copyright laws but also undermines the efforts of authors, publishers, and researchers. To ensure ethical downloading, it is

advisable to utilize reputable websites that prioritize the legal distribution of content. When downloading Briggs Repair Manuals, users should also consider the potential security risks associated with online platforms. Malicious actors may exploit vulnerabilities in unprotected websites to distribute malware or steal personal information. To protect themselves, individuals should ensure their devices have reliable antivirus software installed and validate the legitimacy of the websites they are downloading from. In conclusion, the ability to download Briggs Repair Manuals has transformed the way we access information. With the convenience, cost-effectiveness, and accessibility it offers, free PDF downloads have become a popular choice for students, researchers, and book lovers worldwide. However, it is crucial to engage in ethical downloading practices and prioritize personal security when utilizing online platforms. By doing so, individuals can make the most of the vast array of free PDF resources available and embark on a journey of continuous learning and intellectual growth.

FAQs About Briggs Repair Manuals Books

1. Where can I buy Briggs Repair Manuals books? Bookstores: Physical bookstores like Barnes & Noble, Waterstones, and independent local stores. Online Retailers: Amazon, Book Depository, and various online bookstores offer a wide range of books in physical and digital formats.
2. What are the different book formats available? Hardcover: Sturdy and durable, usually more expensive. Paperback: Cheaper, lighter, and more portable than hardcovers. E-books: Digital books available for e-readers like Kindle or software like Apple Books, Kindle, and Google Play Books.
3. How do I choose a Briggs Repair Manuals book to read? Genres: Consider the genre you enjoy (fiction, non-fiction, mystery, sci-fi, etc.). Recommendations: Ask friends, join book clubs, or explore online reviews and recommendations. Author: If you like a particular author, you might enjoy more of their work.
4. How do I take care of Briggs Repair Manuals books? Storage: Keep them away from direct sunlight and in a dry environment. Handling: Avoid folding pages, use bookmarks, and handle them with clean hands. Cleaning: Gently dust the covers and pages occasionally.
5. Can I borrow books without buying them? Public Libraries: Local libraries offer a wide range of books for borrowing. Book Swaps: Community book exchanges or online platforms where people exchange books.
6. How can I track my reading progress or manage my book collection? Book Tracking Apps: Goodreads, LibraryThing, and Book Catalogue are popular apps for tracking your reading progress and managing book collections. Spreadsheets: You can create your own spreadsheet to track books read, ratings, and other details.

7. What are Briggs Repair Manuals audiobooks, and where can I find them? Audiobooks: Audio recordings of books, perfect for listening while commuting or multitasking. Platforms: Audible, LibriVox, and Google Play Books offer a wide selection of audiobooks.
8. How do I support authors or the book industry? Buy Books: Purchase books from authors or independent bookstores. Reviews: Leave reviews on platforms like Goodreads or Amazon. Promotion: Share your favorite books on social media or recommend them to friends.
9. Are there book clubs or reading communities I can join? Local Clubs: Check for local book clubs in libraries or community centers. Online Communities: Platforms like Goodreads have virtual book clubs and discussion groups.
10. Can I read Briggs Repair Manuals books for free? Public Domain Books: Many classic books are available for free as they're in the public domain. Free E-books: Some websites offer free e-books legally, like Project Gutenberg or Open Library.

Find Briggs Repair Manuals :

official eiffel tower website

nursing diagnosis for gerd

no excuses brian tracy summary

nurse violet jessop

nonfiction articles for students

~~oh the places you'll go activities~~

occupational therapy inspirational quotes

nys regents math

nursing diagnosis for a newborn

npte pta exam

nursing care plan on nutrition

nostradamus predictions for the future

~~oh the places you'll go quotes for students~~

nolan ryan pitching motion

obtain amulet for cole

Briggs Repair Manuals :