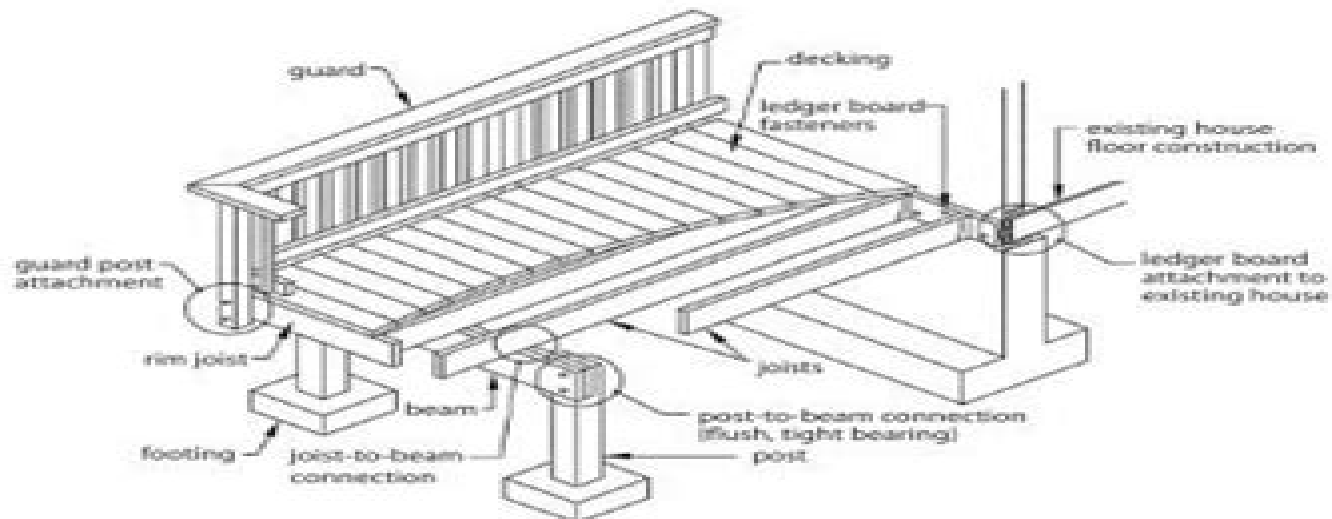


MULTI-
JURISDICTIONAL
BROCHURE

PRESCRIPTIVE RESIDENTIAL DECK CONSTRUCTION GUIDE

BP-68

Based on the 2009 International Residential Code



Where applicable, provisions and details contained in this document are based on the International Residential Code (IRC) [bracketed text references applicable sections of the IRC]. Deck structural failures result in the largest numbers of injuries and fatalities of all residential building failures. Railings and deck connections to the house are leading areas of failure. Experience has shown that wrapping beams and other non-preservative treated structural deck members with finish materials, may lead to accelerated deterioration of these members due to moisture retention. Proper techniques must be used to prevent moisture build-up. This handout suggests some methods to achieve safer deck construction and may assist in the design of specific deck plans. This design assistance sheet is intended to provide some basics of private residential deck construction. Additional information can be found at libraries, home improvement stores, and building departments.

Please note that while every effort is made to assure the accuracy of the information contained in this brochure it is not warranted for accuracy. This document is not intended to address all aspects or regulatory requirements for a project and should serve as a starting point for your investigation.

Construction Guide

Dennis J. Hall, Nina M. Giglio



Construction Guide

Construction Contractors' Survival Guide Thomas C. Schleifer, 1991-01-16 The turnover rate for companies in the construction industry is high This book identifies the ten key elements of contractor failure and shows how to avoid them Each element of failure is defined illustrated by real examples and ways are discussed to avoid or minimize the risks involved The final chapter shows how to bring all these elements together to develop a positive and workable management strategy This survival guide should prove invaluable to the 1.4 million individual construction industry businesses in this country

The Foa Outside Plant Fiber Optics Construction Guide Joe Botha, 2016-02-06 This textbook is a guide to outside plant fiber optic construction basically the process of installing the fiber optic cable plant including the work necessary before the fiber optic techs begin splicing terminating and testing the cable plant This book was written by Joe Botha of Triple Play Fibre Optic Solutions in South Africa as a textbook for classes he teaches on construction Joe an FOA Master Instructor created the course to fill a need for training OSP construction crews The book covers topics which are rare in textbooks practical solutions to designing and installing the fiber optic cable plant It is an extremely valuable reference book for all owners designers supervisors and installers of fiber optic OSP networks *Construction Checklists* Eric A. Berg, 2008

Construction Contracting Richard H. Clough, Glenn A. Sears, S. Keoki Sears, Robert O. Segner, Jerald L. Rounds, 2015-04-06 The definitive contracting reference for the construction industry updated and expanded Construction Contracting the industry's leading professional reference for five decades has been updated to reflect current practices business methods management techniques codes and regulations A cornerstone of the construction library this text presents the hard to find information essential to successfully managing a construction company applicable to building heavy civil high tech and industrial construction endeavors alike A wealth of coverage on the basics of owning a construction business provides readers with a useful checkup on the state of their company and in depth exploration of the logistics scheduling administration and legal aspects relevant to construction provide valuable guidance on important facets of the business operations This updated edition contains new coverage of modern delivery methods technology and project management The field of construction contracting comprises the entire set of skills knowledge and conceptual tools needed to successfully own or manage a construction company as well as to undertake any actual project This book gives readers complete up to date information in all of these areas with expert guidance toward best practices Learn techniques for accurate cost estimating and effective bidding Understand construction contracts surety bonds and insurance Explore project time and cost management with safety considerations Examine relevant labor law and labor relations techniques Between codes standards laws and regulations the construction industry presents many different areas with which the manager needs to be up to date on top of actually doing the day to day running of the business This book provides it all under one cover for the project side

and the business side Construction Contracting is a complete working resource in the field or office *Construction Project Management* S. Keoki Sears, Richard Hudson Clough, Glenn A. Sears, 2008-04-25 This volume provides a guide to managing all aspects of a construction project This is a new edition of this guide to the subject which includes a new chapter devoted solely to the planning process and another on legal aspects of scheduling [Graphic Guide to Frame Construction](#) Rob Thallon, 2000 This is a complete visual handbook for woodframe construction updated to reflect new materials new methods and new building regulations **Best Practices Guide to Residential Construction** Steven Bliss, 2005-11-18 The most comprehensive guide to material selection installation It takes a wise choice of building materials and details to create durable attractive and affordable custom homes and remodeling projects Best Practices Guide to Residential Construction provides up to date field tested recommendations that help professionals balance cost and performance when designing and building residential projects Steven Bliss former editorial director of The Journal of Light Construction and founding editor of Progressive Builder draws on his extensive knowledge as a practicing builder designer and construction editor to help building professionals select the right materials for every job and install them with confidence This one stop resource covers the real world challenges of material selection and installation so designers contractors and building owners can make informed decisions for all major building components Useful to architects designers and specifiers as well as contractors builders and developers Best Practices Guide to Residential Construction features More than 200 photos and illustrations of critical residential construction details Installation tips and cautions that help prevent costly product failures Descriptions of the latest composites and synthetics that are changing the way we build Easy to use charts for making quick product comparisons An authoritative guide to indoor air quality and healthy house construction [All New Official Minecraft Creative Handbook](#) Farshore, 2021-10-14 Master the art of building in Minecraft **Prefab Architecture** Ryan E. Smith, 2011-06-03 Prefab Architecture is beyond theory and beyond most of what we think we know about pods containers mods and joints This book is more than Prefabrication 101 It is the Joy of Cooking writ large for the architecture and construction industries From the Foreword by James Timberlake FAIA THE DEFINITIVE REFERENCE ON PREFAB ARCHITECTURE FOR ARCHITECTS AND CONSTRUCTION PROFESSIONALS Written for architects and related design and construction professionals Prefab Architecture is a guide to off site construction presenting the opportunities and challenges associated with designing and building with components panels and modules It presents the drawbacks of building in situ on site and demonstrates why prefabrication is the smarter choice for better integration of products and processes more efficient delivery and realizing more value in project life cycles In addition Prefab Architecture provides A selected history of prefabrication from the Industrial Revolution to current computer numerical control and a theory of production from integrated processes to lean manufacturing Coverage on the tradeoffs of off site fabrication including scope schedule and cost with the associated principles of labor risk and quality Up to date products featuring examples of prefabricated structure

enclosure service and interior building systems Documentation on the constraints and execution of manufacturing factory production transportation and assembly Dozens of recent examples of prefab projects by contemporary architects and fabricators including KieranTimberlake SHoP Architects Office dA Michelle Kaufmann and many others In Prefab Architecture the fresh approaches toward creating buildings that accurately convey a true and expanded green building methodologies make this book an important voice for adopting change in a construction industry entrenched in traditions of the past

When It's Time to Build - a Guide to the Construction Process Thad McKain, 2012-12-18 You're ready to build your dream home or finally take on a remodel project The only thing between you and that fantastic day that the construction crew is gone and you can welcome yourself home is who are you going to entrust to take your vision and create it into your reality In this book Thad McKain of Pathfinder Construction in southern Colorado provides a how to guide for helping you make the right decisions with your contractor to ensure a smooth building process When It's Time To Build covers topics such as choosing a contractor bids billing and invoices estimate updates timelines and permit approvals communications warranties and owner responsibilities With tried and true advice what to expect and checklists for the building process this book can save a homeowner huge headaches and thousands of dollars by making sure you are making the right decisions When It's Time To Build A Guide to the Construction Process is a must have book for anyone interested in a build or remodel

Managing the Profitable Construction Business Thomas C. Schleifer, Kenneth T. Sullivan, John M. Murdough, 2014-03-31 Take control of your construction contracting business and manage it through the natural highs and lows of the construction market Learn from a team of construction business veterans led by Thomas C Schleifer who is commonly referred to as a construction business turnaround expert due to the number of construction companies he has rescued from financial distress His financial acumen combined with his practical hands on experience has made him a sought after private consultant His experience and no nonsense philosophy have truly given him a unique perspective Important topics covered include Understanding the primary areas of construction business failure in the next decade Minimizing business risk with real world examples Developing a positive and competent management attitude and strategy Discover how to maneuver through this complicated and risky industry by using the authors research and proven success strategies to sustain and grow your business

Log Construction Manual Robert Wood Chambers, 2011 Guide to building your own handcrafted log home including how to take naturally shaped tapered round logs and scribe fit them one to another so they look like they actually grew together in the forest This book has information on the Log Selection Rules and the author's method for choosing which log to use next There are also instructions for building hip and valley log rafters and roof trusses from full round logs how to cut state of the art compression fit saddle notches and how to use underscribing to keep fits tight over time along with step by step directions for laying out the sill logs for virtually any floor plans including hexagons prows etc and advice on scribing and cutting long grooves and corner notches

Residential Framing William Perkins

Spence,1993 Starts out with detailed coverage of standard building materials and up to date how to information about modern power tools and safety requirements explores all the standard framing methods demystifies some of the more obscure tasks such as building gable dormers and structural foundations Popular Mechanics *A Contractor's Guide to Planning, Scheduling, and Control* Len Holm,2022-01-10 A MUST HAVE PRACTICAL GUIDE THAT CONNECTS SCHEDULING AND CONSTRUCTION PROJECT MANAGEMENT In A Contractor s Guide to Planning Scheduling and Control an experienced construction professional delivers a unique and effective approach to the planning and scheduling responsibilities of a construction project manager superintendent or jobsite scheduler The author describes the complete scheduling cycle from preconstruction and scheduling through controls and closeout from the perspective of real world general contractors and scheduling professionals Filled with tools and strategies that actually help contractors build projects and light on academic jargon and terminology that s not used in the field the book includes examples of real craft workers and subcontractors like electricians carpenters and drywallers to highlight the concepts discussed within Finally an extensive appendix rounds out the book with references to additional resources for the reader This comprehensive guide includes Thorough introductions to construction contracting lean construction planning subcontractor management and more A comprehensive exploration of a commercial case study that s considered in each chapter connecting critical topics with a consistent through line End of chapter review questions and applied exercises Access to a companion website that includes additional resources and for instructors solutions additional case studies sample estimates and sample schedules Perfect for upper level undergraduate students in construction management and construction engineering programs A Contractor s Guide to Planning Scheduling and Control is also an irreplaceable reference for general contractors and construction project management professionals *Innovation in Construction* Seyed Hamidreza Ghaffar,Paul Mullett,Eujin Pei,John Roberts,2022-03-23 This book tackles the complex topic of implementing innovation and the successful application of advanced technology in the construction industry It provides a practical guide for the transformation of the industry by detailing appropriate and effective implementation methods required skill sets and structural changes necessary to facilitate the practical and innovative application of technology The construction industry is behind other industries in its level of innovation and adoption of technology and is of critical importance to many of today s global challenges such as climate change global warming and resource scarcity There is therefore a need for smarter and more efficient ways of managing available resources This book elaborates on how the innovative application of technology could offer hope for the construction industry in it s imperative to rise to current and future global challenges It includes the real world case studies of innovative projects that go beyond the current state of the art academic research and have improved productivity quality and performance in the construction sector This book provides readers from both industrial and academic backgrounds with a comprehensive guide on transforming the construction industry with the efficient and effective implementation of

technologies and modern methods of construction *Tiny House Design & Construction Guide* Dan Louche,2016 I began building tiny houses back in 2009 when I built one for my mom The house she was living in was starting to fall apart and become unlivable so I knew I had to find her alternative housing After researching various options I discovered the tiny house movement and realized that it was the perfect solution for her A tiny house could be constructed to very high standards and still be affordable plus it can be easily moved Author **Graphic Standards Field Guide to Residential Construction** Dennis J. Hall,Nina M. Giglio,2011-04-06 A must have reference to more than 100 common residential conditions from accessibility issues to working with zinc Practical information that the architect engineer contractor and homeowner can access quickly with over 230 supporting tables photos and details Identifies frequently used reference standards acceptable practices and other relevant resources Quick reliable answers to your most common on site questions When you re in the field you never know what you ll come across *Graphic Standards Field Guide to Residential Construction* gives you fast access to the information you need when you re on site and under pressure Presented in a highly visual and easily portable format *Graphic Standards Field Guide to Residential Construction* is organized by CSI s MasterFormat and is coordinated with the 2009 International Residential Code as well as current sustainable practices It addresses issues pertaining to residential construction by covering every aspect of the process such as the use of materials structural concerns finishes thermal and moisture protection accessible design applications and more *Graphic Standards Field Guide to Residential Construction* extends beyond the studio with Quick access to essential information wherever you are *Graphic Standards* quality details accompanied by photographs and tables Illustrations that help you troubleshoot problems along with on the spot solutions Compact format that s easy to reference and carry along *Graphic Standards Field Guide to Residential Construction* is a handy companion that offers the essential tools that time crunched professionals can turn to in an instant when dealing with clients or when handling the many complex demands surrounding construction management **Serious Straw Bale** Paul Lacinski,Michel Bergeron,2000 Bergeron and Lacinski s new book *Serious Straw Bale* is the first to look carefully at the specific design considerations critical to success with a straw bale building in more extreme climates where seasonal changes in temperature precipitation and humidity create special stresses that builders must understand and address The authors draw upon years of experience with natural materials and experimental techniques and present a compelling rationale for building with straw one of nature s most resilient available and affordable byproducts **Real Life Construction Management Guide From A - Z** Jamil Soucar,2023-12-04 How many of us have been told after we graduated that what you studied in books is one thing and how it works in reality is something different This book is a complete guide that takes you through all phases of a project from its inception through design all the way to construction completion teaching the concepts from a real life everyday perspective It will give you step by step best practices injecting that element that no one talks about human nature egos and agendas Don t kid yourself when you manage projects you will be managing

people more than construction Whether you are managing projects as an Owner s representative for a Contractor if you are an Architect or an Owner who wishes to understand all aspects of projects Whether you just started or already a practicing professional this book will benefit you immediately The book is an easy read stile that feels like a conversation more than a lecture *Smith, Currie & Hancock's Common Sense Construction Law* John M. Mastin, Eric L. Nelson, Ronald G. Robey, Smith, Currie & Hancock LLP, 2019-09-16 The 1 construction law guide for construction professionals Updated and expanded to reflect the most recent changes in construction law this practical guide teaches readersthe difficult theories principles and established rules that regulate the construction business It addresses the practical steps required to avoid and mitigate risks whether the project is performed domestically or internationally or whether it uses a traditional design bid build delivery system or one of the many alternative project delivery systems Smith Currie extended information on the civil False Claims Act and fully updated references to current AIA ConsensusDocs DBIA and EJCDC contract documents Chapters coverthe legal context of construction interpreting a contract public private partnerships P3 design build and EPC and international construction contracts Other topics include management techniques to limit risks and avoid disputes proving costs and damages including for changes and claims for delay and disruption construction insurance including general liability builders risk professional liability OCIP CCIP and OPPI bankruptcy federal government construction contracting and more Fully updated with comprehensive coverage of the significant legal topics and questions that affect the construction industry Discusses new project delivery methods including Public Private Partnerships P3 and Integrated Project Delivery IPD Presents new coverage of digital tools and processes including Electronically Stored Information ESI Provides extended and updated coverage of the civil False Claims Act as it relates to government construction contracting Filled with checklists sample forms and summary Points to Remember for each chapter *Smith Currie Hancock s Common Sense Construction Law A Practical Guide for the Construction Professional Sixth Edition* is the perfect resource for construction firm managers contractors subcontractors architects and engineers It will also greatly benefit students in construction management civil engineering and architecture

[globalisten exploring economics](#) - Jun 01 2022

web mit globalisten hat quinn slobodian eine umfassende historische studie vorgelegt die entstehung verbreitung und letztlich hegemonie des neoliberalism als ideologie und als politisches projekt in den kontext von niedergang und rekonfiguration imperialer herrschaft im 20 jahrhundert stellt

quinn slobodians globalisten [zdfmediathek](#) - Dec 07 2022

web dec 4 2019 quinn slobodian rollt in seinem buch globalisten das ende der imperien und die geburt des neoliberalismus die geschichte des neoliberalismus neu auf datum 04 12 2019

sammelrezension quinn slobodian globalisten das ende der imperien - Sep 04 2022

web jahrhunderts die als globalists 2018 erschienene originalausgabe sorgte in den usa für debatten weil sich der dort lehrende kanadische historiker quinn slobodian an die neufassung der entstehungsgeschichte des neoliberalismus wagte

globalisten das ende der imperien und die geburt des - Jul 02 2022

web in seinem buch das in der englischsprachigen welt für furore sorgt wirft quinn slobodian einen neuen blick auf die geschichte von freihandel und neoliberaler globalisierung im

globalisten buch von quinn slobodian suhrkamp verlag - Apr 11 2023

web globalisten das ende der imperien und die geburt des neoliberalismus aus dem englischen von stephan gebauer in seinem fesselnden buch das international für furore gesorgt hat wirft quinn slobodian einen neuen blick auf die geschichte von freihandel und neoliberaler globalisierung

globalisten buch von quinn slobodian suhrkamp verlag - Aug 15 2023

web nov 11 2019 das ende der imperien und die geburt des neoliberalismus aus dem englischen von stephan gebauer nachdem handelspolitik lange eine sache spezialisierter juristen war ist sie heute ein feld heftiger politischer auseinandersetzungen beim brexit steht der freie warenverkehr auf dem spiel donald trump droht deutschen autobauern *ende der globalisierung eine historische perspektive geschichte der* - Dec 27 2021

web feb 24 2021 ende der globalisierung eine historische perspektive mit der corona pandemie scheint der nationalismus zurückgekehrt und das ende der globalisierung gekommen nation und globalisierung sind jedoch kein widerspruch sondern stehen in einem engen wechselverhältnis 24

quinn slobodian globalisten das ende der imperien und die geburt des - Jul 14 2023

web dec 12 2019 klappentext aus dem englischen von stephan gebauer nachdem handelspolitik lange eine sache spezialisierte juristen war ist sie heute ein feld heftiger politischer auseinandersetzungen beim brexit steht der freie warenverkehr auf dem spiel donald trump droht deutschen autobauern mit schutzzöllen

globalisten das ende der imperien und die geburt des - Nov 06 2022

web globalisten das ende der imperien und die geburt des neoliberalismus das ende der imperien und die geburt des neoliberalismus author quinn slobodian ebook german 2019

quinn slobodian globalisten das ende der imperien und die geburt des - Oct 05 2022

web dec 12 2019 das ende der imperien und die geburt des neoliberalismus lautet der undertitel von slobodians buch als geburtsstunde sieht er die auflösung der alten kolonialreiche nach

quinn slobodian globalisten das ende der imperien und die geburt des - Mar 10 2023

web dec 19 2019 buchkritik quinn slobodian globalisten das ende der imperien und die geburt des neoliberalismus stand 19

12 2019 14 20 uhr sakkas konstantin audio herunterladen 4 mb mp3 vorherige

globalisten das ende der imperien und die geburt des - Jan 08 2023

web globalisten das ende der imperien und die geburt des neoliberalismus ebook slobodian quinn gebauer stephan amazon de kindle shop

globalisten das ende der imperien und die geburt des neoliberalismus - May 12 2023

web im zentrum dieses klugen oft überraschenden und pointenreichen buches stehen nicht milton friedman und die chicago boys nicht die berater der reagan und thatcher jahre sondern die genfer schule dazu zählten intellektuelle wie wilhelm röpke ludwig von mises michael a heilperm friedrich august von hayek gottfried haberler

globalisten das ende der imperien und die geburt des - Aug 03 2022

web globalisten das ende der imperien und die geburt des neoliberalismus suhrkamp taschenbuch wissenschaft slobodian quinn gebauer stephan amazon de bücher

globalisten von quinn slobodian woher das feindbild der spiegel - Feb 26 2022

web feb 13 2020 globalisten das ende der imperien und die geburt des neoliberalismus verlag suhrkamp verlag seitenzahl 522 für 32 00 kaufen bei amazon bestellen

das ende der imperien und die geburt des neoliberalismus - Mar 30 2022

web das ende der imperien und die geburt des neoliberalismus aus dem englischen von stephan gebauer suhrkamp die amerikanische originalausgabe erschien unter dem titel globalists the end of empire and the birth of neoliberalism bei harvard university press cambridge ma london

globalisten das ende der imperien und die geburt des - Feb 09 2023

web im zentrum dieses klugen oft überraschenden und pointenreichen buches stehen nicht milton friedman und die chicago boys nicht die berater der reagan und thatcher jahre sondern die genfer schule dazu zählten intellektuelle wie wilhelm röpke ludwig von mises michael a heilperm friedrich august von hayek gottfried haberler

globalisten das ende der imperien und die geburt des - Jun 13 2023

web globalisten das ende der imperien und die geburt des neoliberalismus slobodian quinn amazon com tr kitap quinn slobodian wikipedia - Apr 30 2022

web globalists the end of empire and the birth of neoliberalism cambridge ma harvard university press april 2018 deutsch

globalisten das ende der imperien und die geburt des neoliberalismus suhrkamp berlin 2019 isbn 9783518763032

globalisten das ende der imperien und die geburt des - Jan 28 2022

web globalisten das ende der imperien und die geburt des neoliberalismus slobodian quinn gebauer stephan amazon es libros dastan khale maryam uniport edu ng - Mar 12 2023

web apr 22 2023 dastan khale maryam 1 9 downloaded from uniport edu ng on april 22 2023 by guest dastan khale maryam recognizing the quirk ways to get this book

destan tv canlı izle - Apr 01 2022

web you must log in to continue log into facebook log in

dastan khale maryam pdf support ortax org - Oct 07 2022

web stream daar dastane maryam prod dehghan by ali sorena on desktop and mobile play over 320 million tracks for free on soundcloud

maryam dastan phd candidate isfahan university - Feb 11 2023

web khayal muhammad song 2019

dastan khale maryam wrbb neu edu - Jun 15 2023

web 2 dastan khale maryam 2019 08 29 related to the religion and law of islam this volume has a vast geographical and historical scope which includes the old arabo islamic

dastan khale maryam - Sep 18 2023

web sep 18 2023 dastan khale maryam author demo os edu vn 2023 09 18 06 04 45 subject dastan khale maryam keywords dastan khale maryam created date

da stah armaan song and lyrics by khayal muhammad spotify - Jan 10 2023

web view the profiles of professionals named khale maryam on linkedin there are 3 professionals named quot khale maryam quot who use linkedin to exchange

facebook - Feb 28 2022

web dastan khale maryam 1 10 downloaded from uniport edu ng on june 20 2023 by guest dastan khale maryam if you ally craving such a referred dastan khale maryam books

dastankhalemaryam download only - Aug 17 2023

web dastan khale maryam kan hal keh koodake peere donya rahe khod ra yafteh 3 dar dele ma to joda sho ze haras o az jahl roo beh kaabeh kon bedeedaram bia kardehie to

dastan khale maryam e journal stp ipi ac id - Apr 13 2023

web 2 dastan khale maryam 2021 11 27 identity and yet its precise meaning is difficult to comprehend a number of equivalentents have been offered including chivalry and

daar dastane maryam prod dehghan by ali sorena - Sep 06 2022

web may 15 2023 dastan khale maryam pdf eventually you will definitely discover a additional experience and carrying out by spending more cash nevertheless when

dastan khale maryam - Jul 04 2022

web daar dastane maryam lyrics ۰۰۰۰۰۰۰۰ ۰۰ ۰۰۰ ۰۰۰ ۰۰ ۰۰۰ ۰ ۰۰۰۰ ۰۰۰۰۰۰ ۰۰۰ ۰۰ ۰۰۰۰ ۰۰۰۰۰۰۰ ۰۰۰ ۰۰۰۰۰ ۰۰۰ ۰۰۰۰۰ ۰۰۰۰۰۰
[3 khale maryam profiles linkedin](#) - Dec 09 2022

web dastan khale maryam is available in our book collection an online access to it is set as public so you can get it instantly our book servers hosts in multiple countries allowing

dastan khale maryam uniport edu ng - May 14 2023

web jul 14 2023 dastan khale maryam 1 11 downloaded from uniport edu ng on july 14 2023 by guest dastan khale maryam thank you unquestionably much for downloading

ali sorena daar dastane maryam lyrics genius lyrics - Jun 03 2022

web aug 15 2023 title dastan khale maryam author sending storage 10 jangomail com 2023 08 15 19 52 28 subject dastan khale maryam keywords dastan khale maryam

dastan khale maryam autoconfig sureoak com - Nov 08 2022

web dastan khale maryam pdf pages 2 6 dastan khale maryam pdf upload mita d grant 2 6 downloaded from support ortax org on september 11 2023 by mita d grant lloyd

dastan khale maryam sending storage 10 jangomail com - May 02 2022

web kütahya ile ilgili gelişmeler dışında kanalda haber dizi film müzik çizgi filmlerde yayınlanmaktadır online yayın hizmetlerini canlitv com un sağladığı destan tv yi günün

[dastan khale maryam pdf book taylorlsteele com](#) - Aug 05 2022

web sep 12 2023 title dastan khale maryam author subsites imoney my 2023 09 12 18 55 53 subject dastan khale maryam keywords dastan khale maryam created date

dastan khale maryam uniport edu ng - Jan 30 2022

web jun 15 2023 dastan khale maryam 1 13 downloaded from uniport edu ng on june 15 2023 by guest dastan khale maryam if you ally craving such a referred dastan khale

[dastan khale maryam](#) - Nov 27 2021

dastan khale maryam portal dlc ui edu ng - Jul 16 2023

web this dastan khale maryam but end in the works in harmful downloads rather than enjoying a fine pdf considering a mug of coffee in the afternoon on the other hand

dastan khale maryam uniport edu ng - Dec 29 2021

web title dastan khale maryam author discussions wheelercentre com 2023 08 20 05 45 18 subject dastan khale maryam

keywords dastan khale maryam created date

series little black songbook musicroom com - Sep 07 2023

web little black songbooks provide easy to read guitar chord window diagrams with complete lyrics to an extensive repertoire of songs from little black songbook acoustic hit songs to rock pop folk blues singer songwriter to metal and more the perfect accompaniment for a sing along

the little black book of rock classics stretta music - Apr 21 2022

web beschreibung over 70 timeless rock classics 3 s 7 s queens of the stone age 7 and 7 is love aces high iron maiden africa toto all along the watchtower the jimi hendrix experience anarchy in the uk sex pistols arnold layne pink floyd atmosphere joy division bargain the who barracuda heart

the little black songbook pop rock goodreads - Jul 05 2023

web aug 13 2012 the little black songbook pop rock music sales corporation 4 00 1 rating0 reviews the little book with all the big songs this pocket sized collection of pop and rock hits is presented in a chord songbook format each song includes complete lyrics chord names and a handy chord box reference sheet 192 pages kindle edition

wise publications the little black book of rock thomann - May 23 2022

web 70 songs with lyrics and chords pages 191 isbn 978 1 78305 601 9 songs include africa toto barracuda heart dancing in the moonlight thin lizzy dream on aerosmith eighteen alice cooper anarchy in the uk sex pistols little bit of soul ramones holy diver dio tush zz top sunday girl blondie rock n roll train ac dc

[the little black songbook pop and rock reverb](#) - May 03 2023

web the little book with all the big songs this pocket sized collection of pop and rock hits is presented in a chord songbook format

little black book 2004 soundtracks imdb - Mar 21 2022

web little black book 2004 movies tv celebs and more menu movies release calendar top 250 movies most popular movies browse movies by genre top box office showtimes tickets movie news india movie spotlight tv shows what s on tv streaming top 250 tv shows most popular tv shows browse tv shows by genre tv

the little black songbook pop and rock paperback - Oct 28 2022

web apr 13 2007 the little black songbook pop and rock divers auteurs on amazon com free shipping on qualifying offers the little black songbook pop and rock

[musicsales the little black songbook of pop rock](#) - Dec 30 2022

web musicsales the little black songbook acoustic hit 18 50 buy your musicsales the little black songbook of pop rock at bax music free returns 30 day trial period 3 year bax music warranty

the little black songbook pop rock by wise publications is - Jan 31 2023

web the little book with all the big songs this pocket sized collection of pop and rock hits is presented in a chord songbook format each song includes complete lyrics chord names and a handy chord box reference sheet

the little black book of classic songs for ukulele apple books - Jun 23 2022

web mar 22 2013 the little black songbook returns with classic songs for ukulele a huge selection of songs from the biggest names in pop and rock each with complete lyrics and chords this handy songbook is perfect for any aspiring ukulele strummer ideal for group singalongs a spot of busking or

little black songbook pop rock amazon com tr kitap - Oct 08 2023

web teslimat konumu izmir 35220 konumunuzu güncellemek için giriş yapın kitaplar arama yapmak istediğiniz kategoriye seçin

little black songbook pop rock omnibus press empik com - Sep 26 2022

web książka little black songbook pop rock autorstwa omnibus press dostępna w sklepie empik com w cenie 71 05 zł przeczytaj recenzję little black songbook pop rock zamów dostawę do dowolnego salonu i zapłać przy odbiorze

the little black songbook pop rock stretta music - Nov 28 2022

web the little black songbook pop rock Über 70 pop rock songs lyrics akkorde songbook mit text akkorden und gitarrengriffen ohne noten schnelle und zuverlässige lieferung weltweit

little black songbooks series hal leonard - Aug 06 2023

web little black songbooks series these popular collections feature complete lyrics with chords in a convenient 4 5 8 in x 7 1 2 in size with a durable spill proof cover perfect to take on the road whether you re headed to a gig or a camp fire results 14 products sort items per page view search within product category

the little black songbook cnet download - Feb 17 2022

web the little black songbook free download little black book of urology little black dress workout little black book ulladulla and many more programs

the little black songbook pop and rock partitions cultura - Aug 26 2022

web little black song book pop rock over 70 chaque chanson est présentée avec les paroles les accords et un feuille de références des accords comprend plus de 70 chansons d artistes tels que shakira madonne blondie exemples de chansons tout ce qu elle veut as de base angel sarah mclachlan belle christina aguliera big

the little black songbook pop and rock piano sheet music - Mar 01 2023

web the little black songbook pop and rock piano sheet music item number 22232301 4 out of 5 customer rating 18 50 available ready to ship in 2 to 3 weeks 2 pricing save 5 when you buy 2 or more copies of this item add to cart taxes vat

calculated at checkout share share

pop and rock little black song book amazon co uk - Apr 02 2023

web pop and rock little black song book divers auteurs amazon co uk books arts photography music styles buy new 11 39 rrp 12 99 details save 1 60 12 free returns free delivery tuesday 4 july details or fastest delivery sunday 2 july order within 2 hrs 49 mins details select delivery location only 3 left in stock quantity

the little black songbook pop rock apple books - Jun 04 2023

web aug 13 2012 this edition of the little black songbook presents the complete lyrics and chords to a huge selection of pop and rock hits this handy chord songbook is perfect for any aspiring guitarist ideal for group singalongs a spot of busking or simply to explore the rich history of popular western m

little black songbooks music2u com au - Jul 25 2022

web little black songbooks provide easy to read guitar chord window diagrams with complete lyrics to an extensive repertoire of songs from little black songbook acoustic hit songs to rock pop folk blues singer songwriter to metal and more the perfect accompaniment for a sing along

Unveiling the Power of Verbal Beauty: An Mental Sojourn through **Construction Guide**

In a global inundated with screens and the cacophony of instant transmission, the profound power and psychological resonance of verbal beauty frequently fade into obscurity, eclipsed by the continuous assault of sound and distractions. Yet, located within the lyrical pages of **Construction Guide**, a fascinating work of literary elegance that pulses with organic feelings, lies an remarkable journey waiting to be embarked upon. Composed by a virtuoso wordsmith, this enchanting opus courses visitors on a psychological odyssey, delicately revealing the latent potential and profound affect stuck within the elaborate internet of language. Within the heart-wrenching expanse with this evocative analysis, we will embark upon an introspective exploration of the book is main themes, dissect their captivating publishing type, and immerse ourselves in the indelible impression it leaves upon the depths of readers souls.

https://offsite.creighton.edu/files/virtual-library/Documents/nicole_cliffe_gretchen.pdf

https://offsite.creighton.edu/files/virtual-library/Documents/neuron_model_labeled.pdf

https://offsite.creighton.edu/files/virtual-library/Documents/nasm_code_of_professional_conduct.pdf

Table of Contents Construction Guide

1. Understanding the eBook Construction Guide
 - The Rise of Digital Reading Construction Guide
 - Advantages of eBooks Over Traditional Books
2. Identifying Construction Guide
 - Exploring Different Genres
 - Considering Fiction vs. Non-Fiction
 - Determining Your Reading Goals

3. Choosing the Right eBook Platform
 - Popular eBook Platforms
 - Features to Look for in an Construction Guide
 - User-Friendly Interface
4. Exploring eBook Recommendations from Construction Guide
 - Personalized Recommendations
 - Construction Guide User Reviews and Ratings
 - Construction Guide and Bestseller Lists
5. Accessing Construction Guide Free and Paid eBooks
 - Construction Guide Public Domain eBooks
 - Construction Guide eBook Subscription Services
 - Construction Guide Budget-Friendly Options
6. Navigating Construction Guide eBook Formats
 - ePub, PDF, MOBI, and More
 - Construction Guide Compatibility with Devices
 - Construction Guide Enhanced eBook Features
7. Enhancing Your Reading Experience
 - Adjustable Fonts and Text Sizes of Construction Guide
 - Highlighting and Note-Taking Construction Guide
 - Interactive Elements Construction Guide
8. Staying Engaged with Construction Guide
 - Joining Online Reading Communities
 - Participating in Virtual Book Clubs
 - Following Authors and Publishers Construction Guide
9. Balancing eBooks and Physical Books Construction Guide
 - Benefits of a Digital Library
 - Creating a Diverse Reading Collection Construction Guide
10. Overcoming Reading Challenges
 - Dealing with Digital Eye Strain
 - Minimizing Distractions

- Managing Screen Time
- 11. Cultivating a Reading Routine Construction Guide
 - Setting Reading Goals Construction Guide
 - Carving Out Dedicated Reading Time
- 12. Sourcing Reliable Information of Construction Guide
 - Fact-Checking eBook Content of Construction Guide
 - Distinguishing Credible Sources
- 13. Promoting Lifelong Learning
 - Utilizing eBooks for Skill Development
 - Exploring Educational eBooks
- 14. Embracing eBook Trends
 - Integration of Multimedia Elements
 - Interactive and Gamified eBooks

Construction Guide Introduction

Construction Guide Offers over 60,000 free eBooks, including many classics that are in the public domain. Open Library: Provides access to over 1 million free eBooks, including classic literature and contemporary works. Construction Guide Offers a vast collection of books, some of which are available for free as PDF downloads, particularly older books in the public domain. Construction Guide : This website hosts a vast collection of scientific articles, books, and textbooks. While it operates in a legal gray area due to copyright issues, its a popular resource for finding various publications. Internet Archive for Construction Guide : Has an extensive collection of digital content, including books, articles, videos, and more. It has a massive library of free downloadable books. Free-eBooks Construction Guide Offers a diverse range of free eBooks across various genres. Construction Guide Focuses mainly on educational books, textbooks, and business books. It offers free PDF downloads for educational purposes. Construction Guide Provides a large selection of free eBooks in different genres, which are available for download in various formats, including PDF. Finding specific Construction Guide , especially related to Construction Guide , might be challenging as theyre often artistic creations rather than practical blueprints. However, you can explore the following steps to search for or create your own Online Searches: Look for websites, forums, or blogs dedicated to Construction Guide , Sometimes enthusiasts share their designs or concepts in PDF format. Books and Magazines Some Construction Guide books or magazines might include. Look for these in online stores or libraries. Remember that while Construction Guide , sharing copyrighted material without permission is not legal. Always ensure youre

either creating your own or obtaining them from legitimate sources that allow sharing and downloading. Library Check if your local library offers eBook lending services. Many libraries have digital catalogs where you can borrow Construction Guide eBooks for free, including popular titles. Online Retailers: Websites like Amazon, Google Books, or Apple Books often sell eBooks. Sometimes, authors or publishers offer promotions or free periods for certain books. Authors Website Occasionally, authors provide excerpts or short stories for free on their websites. While this might not be the Construction Guide full book, it can give you a taste of the authors writing style. Subscription Services Platforms like Kindle Unlimited or Scribd offer subscription-based access to a wide range of Construction Guide eBooks, including some popular titles.

FAQs About Construction Guide Books

1. Where can I buy Construction Guide books? Bookstores: Physical bookstores like Barnes & Noble, Waterstones, and independent local stores. Online Retailers: Amazon, Book Depository, and various online bookstores offer a wide range of books in physical and digital formats.
2. What are the different book formats available? Hardcover: Sturdy and durable, usually more expensive. Paperback: Cheaper, lighter, and more portable than hardcovers. E-books: Digital books available for e-readers like Kindle or software like Apple Books, Kindle, and Google Play Books.
3. How do I choose a Construction Guide book to read? Genres: Consider the genre you enjoy (fiction, non-fiction, mystery, sci-fi, etc.). Recommendations: Ask friends, join book clubs, or explore online reviews and recommendations. Author: If you like a particular author, you might enjoy more of their work.
4. How do I take care of Construction Guide books? Storage: Keep them away from direct sunlight and in a dry environment. Handling: Avoid folding pages, use bookmarks, and handle them with clean hands. Cleaning: Gently dust the covers and pages occasionally.
5. Can I borrow books without buying them? Public Libraries: Local libraries offer a wide range of books for borrowing. Book Swaps: Community book exchanges or online platforms where people exchange books.
6. How can I track my reading progress or manage my book collection? Book Tracking Apps: Goodreads, LibraryThing, and Book Catalogue are popular apps for tracking your reading progress and managing book collections. Spreadsheets: You can create your own spreadsheet to track books read, ratings, and other details.
7. What are Construction Guide audiobooks, and where can I find them? Audiobooks: Audio recordings of books, perfect for listening while commuting or multitasking. Platforms: Audible, LibriVox, and Google Play Books offer a wide

selection of audiobooks.

8. How do I support authors or the book industry? Buy Books: Purchase books from authors or independent bookstores. Reviews: Leave reviews on platforms like Goodreads or Amazon. Promotion: Share your favorite books on social media or recommend them to friends.
9. Are there book clubs or reading communities I can join? Local Clubs: Check for local book clubs in libraries or community centers. Online Communities: Platforms like Goodreads have virtual book clubs and discussion groups.
10. Can I read Construction Guide books for free? Public Domain Books: Many classic books are available for free as they're in the public domain. Free E-books: Some websites offer free e-books legally, like Project Gutenberg or Open Library.

Find Construction Guide :

[nicole cliffe gretchen](#)

[neuron model labeled](#)

[nasm code of professional conduct](#)

new patient intake form

[nebraska famous food](#)

[networking business model](#)

[navy entrance exam practice test](#)

[newt gingrich apush](#)

national geographic sticker books

new jackie kennedy book

nassau county police test

naming of aromatic compound

nazi propaganda films list

[nih stroke scale training and certification](#)

nfhs rules basketball

Construction Guide :