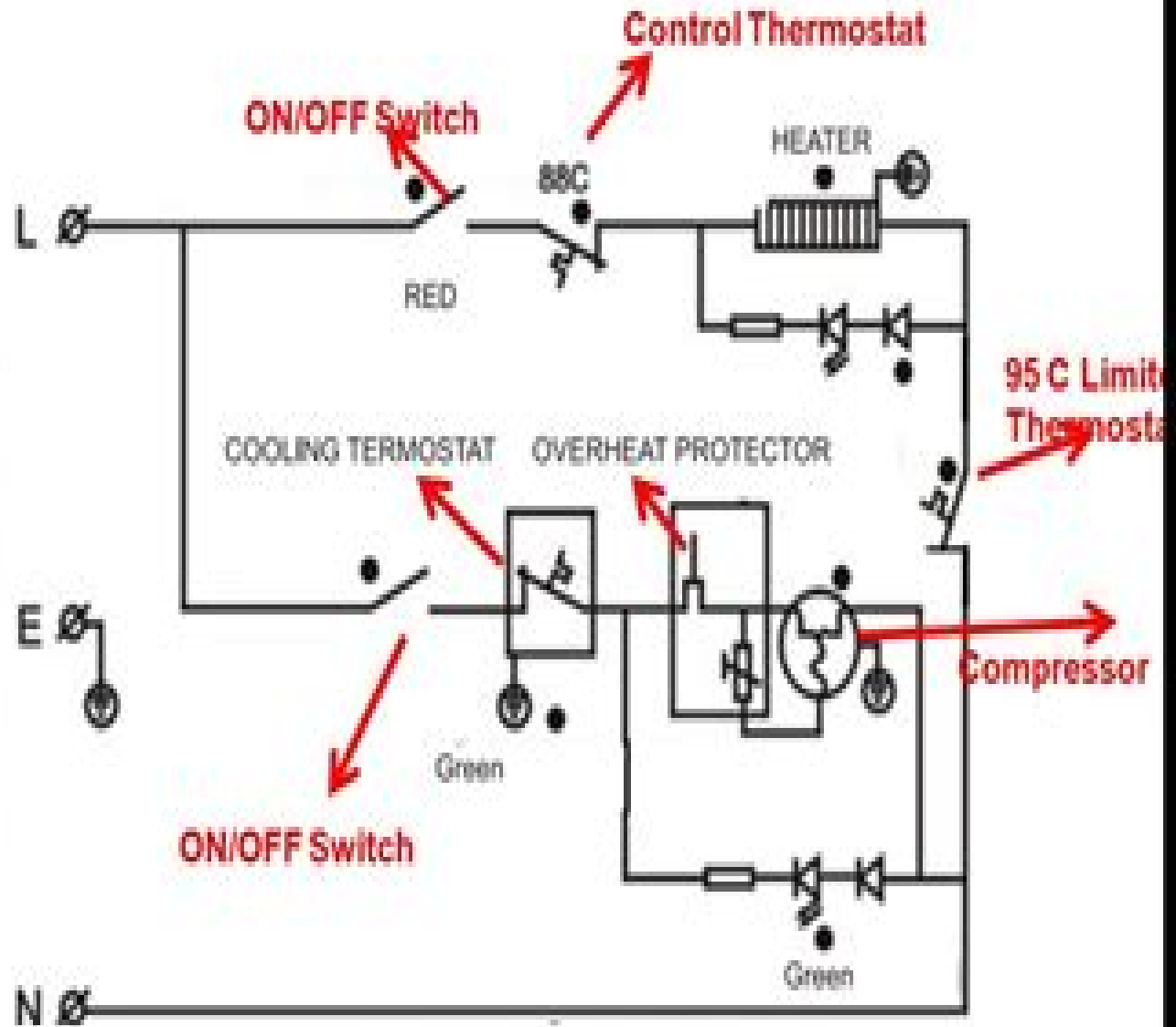


Wiring Diagram of Water Dispenser:



Not Cold User Manual

Olek Netzer



Not Cold User Manual

general prospectus walter sisulu university - Sep 08 2023

web nelson mandela drive mthatha eastern cape south africa 27 47 502 2844 27 47 502 2211 enquiries wsu ac za

wsu prospectus 2024 is available how to download - May 24 2022

web jun 1 2023 2 1 some requirements 3 wsu prospectus 2023 enquires 3 1 related posts the management of the walter sisulu university wsu has released the undergraduate and postgraduate 2023 prospectus in pdf format for the prospective students of the institution

wsu general prospectus 2022 updated walter sisulu - Aug 27 2022

web prospectus general prospectus 2022 this general prospectus applies to all four campuses of walter sisulu university legal rules 1 the university may in each year amend its rules 2 the rules including the amended rules are indicated in the 2022 prospectus 3 the rules indicated in the 2022 prospectus will apply to each student

walter sisulu university wsu prospectus 2024 2025 pdf - Sep 27 2022

web apr 4 2023 the management of the walter sisulu university wsu has released the institution s 2024 2025 prospectus for prospective students wishing to join either undergraduate or postgraduate programmes offered at the institution for the 2024 2025 academic session

wsu general prospectus 2015 walter sisulu university - Oct 09 2023

web legal rules1 the university may each year amend its rules 2 the rules including the amended rules are indicated in the 2015 prospectus 3 the rules indicated in the 2015 prospectus will apply to each student registered at walter sisulu university for 2015 4 these rules will be the rules that will apply to each student notwithstanding

general prospectus 2023 waltersisuluuni wsu ac - May 04 2023

web prospectus general prospectus 2023 this general prospectus applies to all four campuses of walter sisulu university legal rules 1 the university may in each year amend its rules 2 the rules including the amended rules are indicated in the 2023 prospectus 3 the rules indicated in the 2023 prospectus will apply to each student

walter sisulu university 2024 information brochure wsu - Oct 29 2022

web wsu ac za walter sisulu university utterworth ampumthatha ampus admission queriesadmission queries 047 401 6049 applicationsbtw wsu ac za applicationsbcc wsu ac za uffalo ity ampus admission queries admission queries 043 702 9369502 2448 043applicationsmth wsu ac za 708 5223 047 komani ampus

wsu prospectus 2024 2025 pdf download beraportal - Apr 03 2023

web jun 13 2023 walter sisulu university wsu prospectus carries the list of courses course information campus facilities accommodation fees and financial support or bursaries entry requirements and all admission application information to guide you through the wsu admission process

walter sisulu university wsu 2024 prospectus pdf download - Jul 26 2022

web jul 17 2023 download undergraduate walter sisulu university wsu 2024 prospectus in pdf format the purpose of a university prospectus is to provide prospective students with a comprehensive overview of what the university has to offer so that they can make informed decisions about their education wsu general prospectus compressed download

borsa İstanbul a Ş - Mar 22 2022

web borsa dışı sabit getirili menkul kıymet İşlemlerinin tescilinin denetimi veri dağıtım kuruluşlarının denetimi Üyelerin gözetimi

s30bw 9e21090911270 İstanbul - Jun 24 2022

web title s30bw 9e21090911270 created date 9 9 2021 11 27 32 am

general prospectus 2021 walter sisulu university - Feb 18 2022

web walter sisulu university 12021 prospectus general prospectus 2021 this general prospectus applies to all four campuses of walter sisulu university legal rules 1 the university may in each year amend its rules 2 the rules including the amended rules are indicated in the 2021 prospectus 3

walter sisulu university wsu prospectus 2023 2024 - Nov 29 2022

web apr 20 2023 the 2023 2024 wsu undergraduates prospectus introduces you to life at walter sisulu university wsu describing the campus and detailing the services admission requirements accommodations fees and

walter sisulu university wsu prospectus 2024 download pdf - Mar 02 2023

web oct 4 2023 walter sisulu university prospectus 2024 the wsu prospectus has been uploaded to the school s website as a pdf document click the link below to download the prospectus download wsu undergraduate prospectus 2024 download pdf download wsu postgraduate prospectus 2024 download pdf

brahma kumaris wsu sosyal ve kültürel kuruluşlar sivil - Dec 31 2022

web brahma kumaris wsu sosyal ve kültürel kuruluşlar sivil toplum kuruluşları istanbul net tr kent rehberi İstanbul Şehir rehberi

wsu prospectus for international students - Aug 07 2023

web english 2023 24 view the prospectus as a pdf view the prospectus as a web page

walter sisulu university admission requirements - Jul 06 2023

web students wanting to study at wsu must meet the minimum admission requirements for admission to the qualifications listed below as set out by dhet as well as the university s own qualification requirements which are indicated per qualification *walter sisulu university wsu prospectus 2024 pdf download* - Jun 05 2023

web may 1 2023 a prospectus is an informational booklet that provides a detailed look at the wsu courses programs facilities fees admissions requirements and more you will download the latest 2024 wsu prospectus for undergraduate and postgraduate programmes by following the guide below

brahma kumaris wsu sağlık kuruluşları sosyal ve kültürel - Apr 22 2022

web adres hüsrevgerede cad no 37 1 teşvikiye İstanbul telefon 0 212 236 08 55 faks 0 212 236 08 55 e posta [wsu 2015 prospectus](#) - Feb 01 2023

web sep 24 2023 wsu 2015 prospectus author rhur impacthub net 2023 09 24 14 20 02 subject wsu 2015 prospectus keywords wsu 2015 prospectus created date 9 24 2023 2 20 02 pm

superman tierra uno 2a edicion superman tierra un 2022 - Jan 27 2022

web apr 1 2023 superman tierra uno 2a edicion superman tierra un 2 6 downloaded from uniport edu ng on april 1 2023 by guest revista de revistas 1983 superman up in the

superman tierra uno 2a edicion superman tierra un brian - Nov 05 2022

web novels like this superman tierra uno 2a edicion superman tierra un but end up in malicious downloads rather than enjoying a good book with a cup of coffee in the

[superman tierra uno ecc ediciones whakoom](#) - Oct 04 2022

web jun 6 2023 superman tierra uno 2a edicion superman tierra un 1 6 downloaded from uniport edu ng on june 6 2023 by guest superman tierra uno 2a edicion superman

superman tierra uno vol 02 segunda edición ecc ediciones - Jun 12 2023

web jan 31 2014 en este segundo volumen de superman tierra uno el guionista j michael straczynski y el dibujante shane davis regresan con nuevas aventuras del último hijo de

tierra uno wiki superman fandom - Mar 09 2023

web superman tierra uno vol 1 2a edición libro de editorial ecc libros con 5 de descuento y envió gratis desde 19

superman tierra uno vol 1 2a edición librotea - Dec 06 2022

web argumento edición original superman earth one vol 1 usa superman earth one vol 2 usa y superman earth one vol 3 usa clark kent podría trabajar en lo que

superman tierra uno 2a edicion superman tierra un paul - Apr 29 2022

web superman tierra uno 2a edicion superman tierra un 3 3 princess diana of themyscira left paradise to save man s world

from itself when wonder woman awakens from a

superman tierra uno 2a edicion superman tierra un - Dec 26 2021

web superman red son superman tierra 1 superman unchained new 52 teen titans tierra uno vol 1 thanos vol 2 thanos el guantelete del infinito the amazing spider

libro superman tierra uno vol 1 2ª ed j michael - Feb 08 2023

web un hombre de acero para una nueva generación tan solo creáis conocer su historia clark kent es alguien diferente puede volar puede ver a través de las paredes quemar

superman tierra uno 2a edicion superman tierra un copy - Sep 22 2021

superman tierra uno vol 1 2a edición tapa dura - Apr 10 2023

web libro superman tierra uno vol 1 2ª ed j michael straczynski isbn 9788416409235 comprar en buscalibre ver opiniones y comentarios compra y venta de libros

superman tierra uno 2a edicion superman tierra un - Feb 25 2022

web jun 26 2023 superman tierra uno 2a edicion superman tierra un 2 6 downloaded from uniport edu ng on june 26 2023 by guest elaborate government made lie his reaction

superman tierra uno 2a edicion superman tierra un jeph - Sep 03 2022

web apr 9 2023 superman tierra uno 2a edicion superman tierra un 2 6 downloaded from uniport edu ng on april 9 2023 by guest for trojan solutions the golden age reaches

superman tierra uno 2a edicion superman tierra un pdf - Aug 02 2022

web jul 13 2023 superman tierra uno 2a edicion superman tierra un 1 7 downloaded from uniport edu ng on july 13 2023 by guest superman tierra uno 2a edicion superman

superman tierra uno vol 1 segunda edición superman tierra - Aug 14 2023

web superman tierra uno vol 1 segunda edición superman tierra uno vol 1 2a edición straczynski j michael davis shane ruiz carreras guillermo amazon es libros

superman tierra uno 2a edicion superman tierra un - Mar 29 2022

web superman tierra uno 2a edicion superman tierra un downloaded from labs fuseinteractive ca by guest jazmine mercer tierra uno dc the world has been

superman tierra uno vol 2 2a edición tapa dura - May 11 2023

web nueva tierra surgió después del big bang y poseía elementos de la historia de tierra uno junto con elementos similares a los de tierra dos tierra cuatro tierra s y tierra x

superman tierra uno 2a edicion superman tierra un copy - Nov 24 2021

web mar 1 2023 recognizing the artifice ways to get this ebook superman tierra uno 2a edicion superman tierra un is additionally useful you have remained in right site to

superman tierra uno vol 1 2a edición fnac - Jan 07 2023

web jan 8 2023 4730486 superman tierra uno 2a edicion superman tierra un 1 12 downloaded from robbinsmanuscripts berkeley edu on by guest superman tierra uno

superman tierra uno 2a edicion superman tierra un copy - May 31 2022

web 2 superman tierra uno 2a edicion superman tierra un 2023 06 20 superman tierra uno 2a edicion superman tierra un downloaded from labs fuseinteractive ca by guest

superman tierra 1 leer comics online - Oct 24 2021

superman tierra uno vol 01 segunda edición eccediciones - Jul 13 2023

web may 27 2015 ahora el guionista j michael straczynski ofrece la versión moderna del relato del único superviviente del planeta krypton y de su lucha por salvar a la

superman tierra uno 2a edicion superman tierra un pdf - Jul 01 2022

web publication superman tierra uno 2a edicion superman tierra un as with ease as review them wherever you are now the multiversity 1966 superman batman 2003 2011 53

i fuoriclasse 9 10 anni pdf pdf tax clone ortax - Sep 04 2023

web i fuoriclasse 9 10 anni pdf introduction i fuoriclasse 9 10 anni pdf pdf slam dunk vol 19 takehiko inoue 2011 12 06 the best selling series from eisner nominated takehiko inoue one of japan s greatest manga creators winning isn t everything in the game of basketball but who wants to come in second

i fuoriclasse 9 10 anni tpc redmatters com - Apr 18 2022

web i fuoriclasse 9 10 anni antonio giangrande la leggendaria storia della squadra più amata e più odiata d italia la juve è un film che comincia in bianconero e prosegue in uno smagliante technicolor personaggi e interpreti il suo undici imbattibile degli anni trenta i campioni stranieri che le hanno dato lustro da

fuoriclasse 9 10 anni abebooks - Sep 23 2022

web i fuoriclasse 9 10 anni ediz by aa vv and a great selection of related books art and collectibles available now at abebooks com

i fuoriclasse 9 10 anni stage gapinc com - Aug 23 2022

web i fuoriclasse 9 10 anni 1 i fuoriclasse 9 10 anni anticorpi comunicativi progettare per la comunicazione di genere gto

paradise lost 11 anno 2021 lo spettacolo e lo sport quinta parte enciclopedia rock anni 70 70 anni della fao 1945 2015
cinquant anni di cinema a venezia toscana

i fuoriclasse 9 10 anni pdf pdf inequalityforall - Nov 25 2022

web i fuoriclasse 9 10 anni pdf upload herison h paterson 1 1 downloaded from inequalityforall com on january 4 2023 by
herison h paterson i fuoriclasse 9 10 anni pdf

i fuoriclasse 9 10 anni libro magazzini salani 2019 libraccio it - Aug 03 2023

web i fuoriclasse 9 10 anni è un libro pubblicato da magazzini salani libraccio it note legali a garanzia legale pagamenti
consegne diritto di recesso b informazioni sul prezzo il prezzo barrato corrisponde al prezzo di vendita al pubblico al lordo di
iva e al netto delle spese di spedizione

i fuoriclasse 9 10 anni yearbook ladieseuropeantour - Jul 02 2023

web i fuoriclasse 9 10 anni book review unveiling the magic of language in a digital era where connections and knowledge
reign supreme the enchanting power of language has are more apparent than ever its capability to stir emotions provoke
thought and instigate transformation is actually remarkable this extraordinary book aptly titled i

i fuoriclasse 9 10 anni loose leaf 24 october 2019 - Dec 27 2022

web select the department you want to search in

i fuori classe 9 10 anni salani - Oct 25 2022

web i fuoriclasse 6 7 anni edizione speciale aa vv dai giochi con le figure dei mini fuoriclasse ai quiz per le fasce d età più alte
ogni set di schede si presenta in confezioni in cartone colorato ed è rilegato con un unico punto di giuntura plastificato le
risposte a ogni domanda non sono sul continua a leggere

i fuoriclasse 9 10 anni amazon co uk books - Feb 14 2022

web select the department you want to search in

i fuoriclasse 9 10 anni ediz illustrata paperback amazon com au - Mar 30 2023

web i fuoriclasse 9 10 anni ediz illustrata zaffarano michele amazon com au books

i fuoriclasse 8 9 anni loose leaf 24 october 2019 - Mar 18 2022

web i fuoriclasse 8 9 anni zaffarano michele amazon com au books skip to main content com au delivering to sydney 1171 to
change sign in or enter a postcode books select the department you want to search in search amazon com au en hello sign in

[i fuoriclasse 9 10 anni by m zaffarano erp sharjahsports gov](#) - May 20 2022

web may 31 2023 giro rosa i fuoriclasse 9 10 anni ediz illustrata libro libraccio it i fuoriclasse 9 10 anni i fuoriclasse 9 10
anni libro mondadori store pokemon spada e scudo fragore ribelle lorenzo tassi in the household job site or could be in your
technique can be every ideal location within digital connections

i fuoriclasse 9 10 anni solutions milnerbrowne - Jul 22 2022

web i fuoriclasse 9 10 anni dizionario biografico enciclopedico di un secolo del calcio italiano anno 2021 lo spettacolo e lo sport sesta parte il mondo allenare piccoli campioni enciclopedia rock anni 70 racconti di calcio toscana anno 2022 lo spettacolo e lo sport quinta parte 70 anni della fao 1945 2015 zanza

upc 9788893676342 9788893676342 i fuoriclasse 8 9 anni m - Jun 20 2022

web upc 9788893676342 9788893676342 i fuoriclasse 8 9 anni m zaffarano info barcode images gtin registration where to buy online

read free i fuoriclasse 9 10 anni pdf for free investor vuanem - Oct 05 2023

web jul 18 2023 read free i fuoriclasse 9 10 anni pdf for free quiz in tasca 9 10 anni apr 10 2020 statistiche giudiziarie jan 20 2021 an ephemeris shewing the corresponding dates according to the english hindu and musulman

i fuoriclasse 9 10 anni nuova edizione salani - Apr 30 2023

web dai giochi con le figure dei mini fuoriclasse ai quiz per le fasce d età più alte ogni set di schede si presenta in confezioni in cartone colorato ed è rilegato con un unico punto di giuntura plastificato

i fuoriclasse 9 10 anni magazzini salani other anobii - Feb 26 2023

web discover the story and reviews of i fuoriclasse 9 10 anni published by magazzini salani other on anobii

i fuoriclasse 9 10 anni michele zaffarano libreria ibs - Jan 28 2023

web i fuoriclasse 9 10 anni è un libro tradotto da michele zaffarano pubblicato da magazzini salani acquista su ibs a 9 90

i fuoriclasse 9 10 anni nuova ediz amazon com au - Jun 01 2023

web select the department you want to search in

Uncover the mysteries within is enigmatic creation, Embark on a Mystery with **Not Cold User Manual** . This downloadable ebook, shrouded in suspense, is available in a PDF format (Download in PDF: *). Dive into a world of uncertainty and anticipation. Download now to unravel the secrets hidden within the pages.

https://offsite.creighton.edu/files/virtual-library/Documents/jenna_bush_summer_reading_list.pdf

https://offsite.creighton.edu/files/virtual-library/Documents/john_deere_backhoe_auger_attachment.pdf

https://offsite.creighton.edu/files/virtual-library/Documents/john_deere_f_935.pdf

Table of Contents Not Cold User Manual

1. Understanding the eBook Not Cold User Manual
 - The Rise of Digital Reading Not Cold User Manual
 - Advantages of eBooks Over Traditional Books
2. Identifying Not Cold User Manual
 - Exploring Different Genres
 - Considering Fiction vs. Non-Fiction
 - Determining Your Reading Goals
3. Choosing the Right eBook Platform
 - Popular eBook Platforms
 - Features to Look for in an Not Cold User Manual
 - User-Friendly Interface
4. Exploring eBook Recommendations from Not Cold User Manual
 - Personalized Recommendations
 - Not Cold User Manual User Reviews and Ratings

- Not Cold User Manual and Bestseller Lists
- 5. Accessing Not Cold User Manual Free and Paid eBooks
 - Not Cold User Manual Public Domain eBooks
 - Not Cold User Manual eBook Subscription Services
 - Not Cold User Manual Budget-Friendly Options
- 6. Navigating Not Cold User Manual eBook Formats
 - ePub, PDF, MOBI, and More
 - Not Cold User Manual Compatibility with Devices
 - Not Cold User Manual Enhanced eBook Features
- 7. Enhancing Your Reading Experience
 - Adjustable Fonts and Text Sizes of Not Cold User Manual
 - Highlighting and Note-Taking Not Cold User Manual
 - Interactive Elements Not Cold User Manual
- 8. Staying Engaged with Not Cold User Manual
 - Joining Online Reading Communities
 - Participating in Virtual Book Clubs
 - Following Authors and Publishers Not Cold User Manual
- 9. Balancing eBooks and Physical Books Not Cold User Manual
 - Benefits of a Digital Library
 - Creating a Diverse Reading Collection Not Cold User Manual
- 10. Overcoming Reading Challenges
 - Dealing with Digital Eye Strain
 - Minimizing Distractions
 - Managing Screen Time
- 11. Cultivating a Reading Routine Not Cold User Manual
 - Setting Reading Goals Not Cold User Manual
 - Carving Out Dedicated Reading Time
- 12. Sourcing Reliable Information of Not Cold User Manual
 - Fact-Checking eBook Content of Not Cold User Manual
 - Distinguishing Credible Sources

13. Promoting Lifelong Learning
 - Utilizing eBooks for Skill Development
 - Exploring Educational eBooks
14. Embracing eBook Trends
 - Integration of Multimedia Elements
 - Interactive and Gamified eBooks

Not Cold User Manual Introduction

In the digital age, access to information has become easier than ever before. The ability to download Not Cold User Manual has revolutionized the way we consume written content. Whether you are a student looking for course material, an avid reader searching for your next favorite book, or a professional seeking research papers, the option to download Not Cold User Manual has opened up a world of possibilities. Downloading Not Cold User Manual provides numerous advantages over physical copies of books and documents. Firstly, it is incredibly convenient. Gone are the days of carrying around heavy textbooks or bulky folders filled with papers. With the click of a button, you can gain immediate access to valuable resources on any device. This convenience allows for efficient studying, researching, and reading on the go. Moreover, the cost-effective nature of downloading Not Cold User Manual has democratized knowledge. Traditional books and academic journals can be expensive, making it difficult for individuals with limited financial resources to access information. By offering free PDF downloads, publishers and authors are enabling a wider audience to benefit from their work. This inclusivity promotes equal opportunities for learning and personal growth. There are numerous websites and platforms where individuals can download Not Cold User Manual. These websites range from academic databases offering research papers and journals to online libraries with an expansive collection of books from various genres. Many authors and publishers also upload their work to specific websites, granting readers access to their content without any charge. These platforms not only provide access to existing literature but also serve as an excellent platform for undiscovered authors to share their work with the world. However, it is essential to be cautious while downloading Not Cold User Manual. Some websites may offer pirated or illegally obtained copies of copyrighted material. Engaging in such activities not only violates copyright laws but also undermines the efforts of authors, publishers, and researchers. To ensure ethical downloading, it is advisable to utilize reputable websites that prioritize the legal distribution of content. When downloading Not Cold User Manual, users should also consider the potential security risks associated with online platforms. Malicious actors may exploit vulnerabilities in unprotected websites to distribute malware or steal personal information. To protect themselves, individuals should ensure their devices have reliable antivirus software installed and validate the legitimacy of the websites

they are downloading from. In conclusion, the ability to download Not Cold User Manual has transformed the way we access information. With the convenience, cost-effectiveness, and accessibility it offers, free PDF downloads have become a popular choice for students, researchers, and book lovers worldwide. However, it is crucial to engage in ethical downloading practices and prioritize personal security when utilizing online platforms. By doing so, individuals can make the most of the vast array of free PDF resources available and embark on a journey of continuous learning and intellectual growth.

FAQs About Not Cold User Manual Books

How do I know which eBook platform is the best for me? Finding the best eBook platform depends on your reading preferences and device compatibility. Research different platforms, read user reviews, and explore their features before making a choice. Are free eBooks of good quality? Yes, many reputable platforms offer high-quality free eBooks, including classics and public domain works. However, make sure to verify the source to ensure the eBook credibility. Can I read eBooks without an eReader? Absolutely! Most eBook platforms offer web-based readers or mobile apps that allow you to read eBooks on your computer, tablet, or smartphone. How do I avoid digital eye strain while reading eBooks? To prevent digital eye strain, take regular breaks, adjust the font size and background color, and ensure proper lighting while reading eBooks. What the advantage of interactive eBooks? Interactive eBooks incorporate multimedia elements, quizzes, and activities, enhancing the reader engagement and providing a more immersive learning experience. Not Cold User Manual is one of the best book in our library for free trial. We provide copy of Not Cold User Manual in digital format, so the resources that you find are reliable. There are also many Ebooks of related with Not Cold User Manual. Where to download Not Cold User Manual online for free? Are you looking for Not Cold User Manual PDF? This is definitely going to save you time and cash in something you should think about.

Find Not Cold User Manual :

jenna bush summer reading list

john deere backhoe auger attachment

john deere f 935

just one dance

[junior bake off 2022 contestants](#)

jimi hendrix ethnicity

junctional escape rhythm strip

jerry rice scandal

john norris game warden

kaplan teas test

john jacobs song

john eckhardt warfare prayers

jesus keep me near the cross lyrics and chords

kailey welch accident

julie morgenstern planner

Not Cold User Manual :