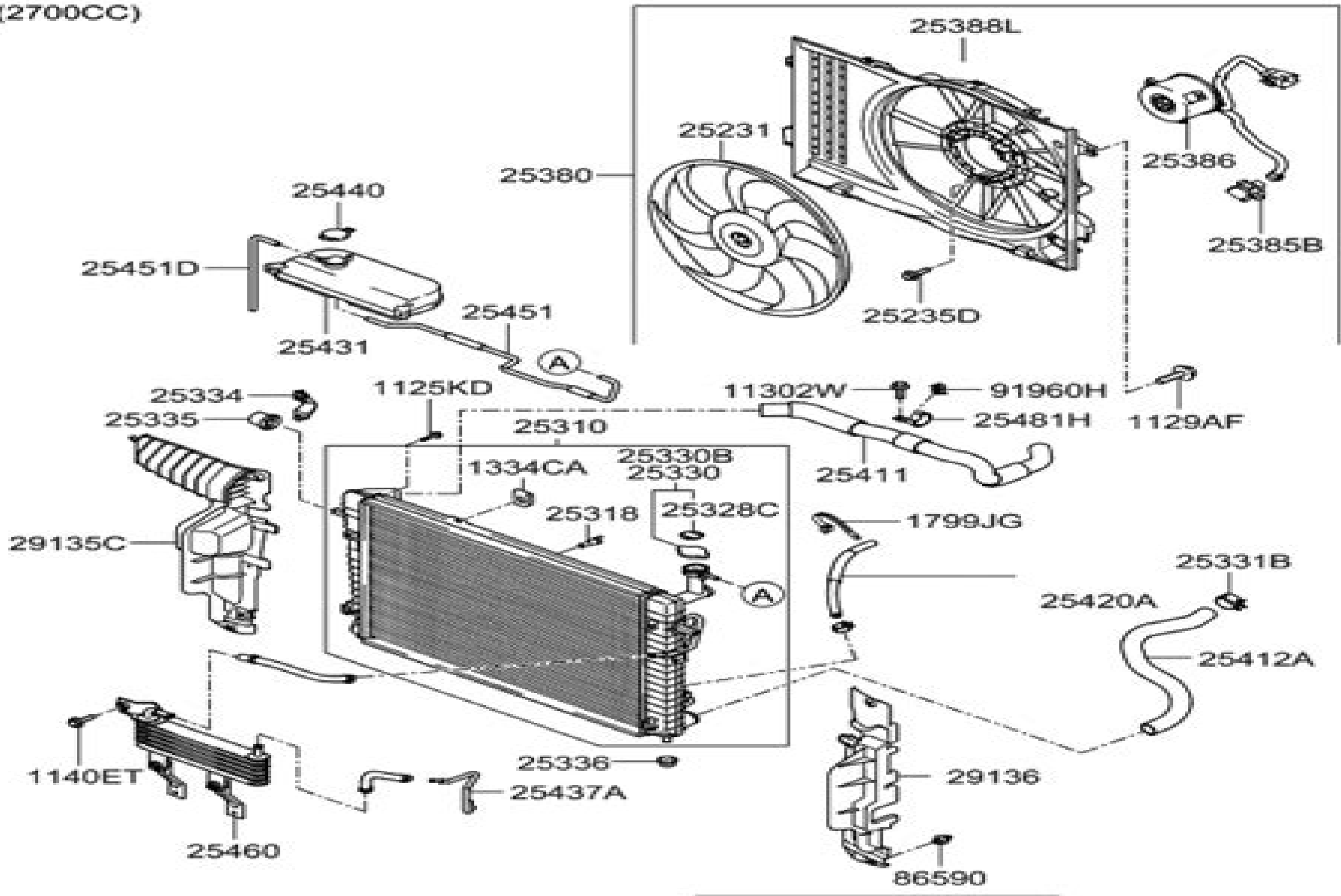


(2700CC)



97606

97801 —

2006 Hyundai Tucson Engine Diagram

Aman Thakur



2006 Hyundai Tucson Engine Diagram

Lemon-Aid Used Cars and Trucks 2012-2013 Phil Edmonston,2012-05-19 Lemon Aid guides steer the confused and anxious buyer through the economic meltdown unlike any other car and truck books on the market U S automakers are suddenly awash in profits and South Koreans and Europeans have gained market shares while Honda Nissan and Toyota have curtailed production following the 2011 tsunami in Japan Shortages of Japanese new cars and supplier disruptions will likely push used car prices through the roof well into 2012 so what should a savvy buyer do The all new Lemon Aid Used Cars and Trucks 2012 2013 has the answers including More vehicles rated with some redesigned models that don t perform as well as previous iterations downrated More roof crash worthiness ratings along with an expanded cross border shopping guide A revised summary of safety and performance related defects that are likely to affect rated models More helpful websites listed in the appendix as well as an updated list of the best and worst beaters on the market More secret warranties taken from automaker internal service bulletins and memos than ever *Lemon-Aid New Cars and Trucks 2010* Phil Edmonston,2009-11-01 This compendium of everything thats new in cars and trucks is packed with feedback from Canadian drivers insider tips internal service bulletins and confidential memos to help the consumer select whats safe reliable and fuel frugal **Mergent International Manual** ,2009 *Lemon-Aid Used Cars and Trucks 2011-2012* Phil Edmonston,2011-04-25 A guide to buying a used car or minivan features information on the strengths and weaknesses of each model a safety summary recalls warranties and service tips **F & S Index United States Annual** ,2007 *Lemon-Aid Used Cars and Trucks 2010-2011* Phil Edmonston,2010-05-11 The automotive maven and former Member of Parliament might be the most trusted man in Canada an inverse relationship to the people he writes about The Globe and Mail Lemon Aid shows car and truck buyers how to pick the cheapest and most reliable vehicles from the past 30 years of auto production This brand new edition of the bestselling guide contains updated information on secret service bulletins that can save you money Phil describes sales and service scams lists which vehicles are factory goofs and sets out the prices you should pay As Canada s automotive Dr Phil for over 40 years Edmonston pulls no punches His Lemon Aid is more potent and provocative than ever *U. S. -Korea Free Trade Agreement* Brian Allen,2011-08 On Feb 10 2011 the U S and the Rep of Korea Korea exchanged the legal texts reflecting the agreement they concluded on Dec 3 2010 to modify certain provisions of the 2007 U S Korea Free Trade Agreement FTA regarding the passenger vehicle sector These texts AA are to provide additional market access for U S exports to Korea in particular by addressing non tariff measures NTMs affecting U S exports This report focuses on the impact of the AA and provides additional analysis of the effects of the reduction or removal of NTMs U S exports of passenger vehicles to Korea would likely rise significantly in the long term under the provisions of the 2007 FTA as modified by the AA Illus A print on demand report HANGING OUT LOOSE Aman Thakur,2021-08-13 Where

does one wish to stay Childhood Adulthood Or Love hood Kavam tries hard to stay where it matters the least to stay in the lap of dreams and hope for the best Will he achieve where his heartaches Find the answers to the questions in Hanging out Loose Let s get on a journey of love hatred and remorse Let s hope that he finally reaches somewhere **Chilton's Hyundai Santa Fe 2001-06 Repair Manual** Tim Imhoff,2008 Covers all U S and Canadian models of Huyndai Santa Fe **Lemon-Aid Used Cars and Trucks 2009-2010** Phil Edmonston,2009-02-16 For the first time in one volume Phil Edmonston Canada s automotive Dr Phil covers all used vehicles packing this guide with insider tips to help the consumer make the safest and cheapest choice possible from cars and trucks of the past 25 years **Lemon-Aid New and Used Cars and Trucks 2007-2017** Phil Edmonston,2017-03-11 Steers buyers through the the confusion and anxiety of new and used vehicle purchases like no other car and truck book on the market Dr Phil along with George Iny and the Editors of the Automobile Protection Association pull no punches **Transportation Energy Data Book** ,2005 **Brand Relevance** David A. Aaker,2011-01-25 Branding guru Aaker shows how to eliminate the competition and become the lead brand in your market This ground breaking book defines the concept of brand relevance using dozens of case studies Prius Whole Foods Westin iPad and more and explains how brand relevance drives market dynamics which generates opportunities for your brand and threats for the competition Aaker reveals how these companies have made other brands in their categories irrelevant Key points When managing a new category of product treat it as if it were a brand By failing to produce what customers want or losing momentum and visibility your brand becomes irrelevant and create barriers to competitors by supporting innovation at every level of the organization Using dozens of case studies shows how to create or dominate new categories or subcategories making competitors irrelevant Shows how to manage the new category or subcategory as if it were a brand and how to create barriers to competitors Describes the threat of becoming irrelevant by failing to make what customer are buying or losing energy David Aaker the author of four brand books has been called the father of branding This book offers insight for creating and or owning a new business arena Instead of being the best the goal is to be the only brand around making competitors irrelevant *Be The Bulb!* Lori Martinek,2009-03 Be the person who lights up a room and attracts others with your energy Own the company that customers love to work with and the brands that they want to buy Project the energy that gets people buzzing and creates the professional and personal success you long for Whether you want to be a successful entrepreneur a dynamic leader or the life of the next party you can have all of it and more when you know how to Be the Bulb You ll learn how to apply proven Attraction Marketing concepts to up your profile and put passion and power into your branding and marketing efforts to promote yourself your company and your products Put your energy in the path of the people who can help you succeed This book will show you how *Lemon-Aid: New Cars and Minivans* Louis-Philippe Edmonston,2006-12 Launched 35 years ago the 2007 edition of the New Cars and Minivans has been restyled to present more current information in a user friendly manner This guide tells you when to buy sell or hold onto a vehicle and

why price rarely guarantees reliability beware of luxury lemons Hard nosed ratings true fuel consumption figures and which safety features are unsafe are all found in this year_s guide as well as Dealer markups for each model cutting the freight fee The best and worst options whose warranty is the best Which 2006s are butter buys than a 2007 Sample compliant letters that work [Automotive News](#) ,2008 **Try Out 2** Rao Indiraa Seshagiri,2008-09 **Electric and Hybrid Cars** Curtis D. Anderson,Judy Anderson,2010-03-30 This illustrated history chronicles electric and hybrid cars from the late 19th century to today s fuel cell and plug in automobiles It describes the politics technology marketing strategies and environmental issues that have impacted electric and hybrid cars research and development The important marketing shift from a woman s car to going green is discussed Milestone projects and technologies such as early batteries hydrogen and bio mass fuel cells the upsurge of hybrid vehicles and the various regulations and market forces that have shaped the industry are also covered

Maximum Boost Corky Bell,1997-08-10 Whether youre interested in better performance on the road or extra horsepower to be a winner on the track this book gives you the knowledge you need to get the most out of your engine and its turbocharger system Find out what works and what doesnt which turbo is right for your needs and what type of set up will give you that extra boost Bell shows you how to select and install the right turbo how to prep your engine test the systems and integrate a turbo with EFI or carbureted engine **Porsche Boxster, Boxster S Service Manual** Bentley Publishers,2010-10-01 The Porsche Boxster Service Manual 1997 2004 covers the 1997 through 2004 model year Boxster and Boxster S Bentley repair manuals provide the highest level of clarity and comprehensiveness for service and repair procedures If you re looking for better understanding of your Boxster look no further than Bentley Engines covered in this Porsche repair manual 1997 1999 Porsche Boxster 2 5 liter M96 20 2000 2004 Porsche Boxster 2 7 liter M96 22 M96 23 2000 2004 Porsche Boxster S 3 2 liter M96 21 M96 24 Manual transmissions covered Porsche Boxster 5 speed G86 00 and G86 01 Porsche Boxster S 6 speed G86 20 Automatic transmissions covered 1997 1999 Porsche Boxster A86 00 2000 2004 Porsche Boxster A86 05 2000 2004 Porsche Boxster S A86 20

ma c ditations ma c taphysiques objections et ra 2023 - Oct 24 2022

web 2 *ma c ditations ma c taphysiques objections et ra 2022 04 10* william carleton the first great fiction writer of nineteenth century ireland and fiann o brien the multifaceted author of at swim two birds aspects of fiann appear as far apart as mendelssohn s hebrides or fingal s cave overture and a contemporary rock opera

ma c ditations ma c taphysiques objections et ra book - Apr 29 2023

web *ma c ditations ma c taphysiques objections et ra* is user friendly in our digital library an online admission to it is set as public consequently you can download it instantly our digital library saves in multipart countries allowing you to acquire the most less latency era to download any of our

ma c ditations ma c taphysiques objections et ra copy - Jan 27 2023

web 2 ma c ditations ma c taphysiques objections et ra 2021 12 04 word building slide shows that include sound movies and images giving your presentation or exporting it as a movie or pdf entering formatting and editing data in spreadsheet cells sprucing

normes et subjectivité réflexions sur les traductions anglaise et - Jul 21 2022

web search text search type research explorer website staff directory alternatively use our a z index

ma c ditations ma c taphysiques objections et ra pdf - May 19 2022

web juggled as soon as some harmful virus inside their computer ma c ditations ma c taphysiques objections et ra pdf is reachable in our digital library an online admission to it is set as public as a result you can download it instantly our digital library saves in combination countries allowing you to get the most less latency period to

macditationsmactaphysiquesobjectionsetra pdf - Jun 19 2022

web 2 breath for 4 seconds repeat 12 to 15 times or more as needed and don t skimp on the holds those
macditationsmactaphysiquesobjections etra pdf copy

ma c ditations ma c taphysiques objections et ra pdf hipertexto - Dec 26 2022

web ma c ditations ma c taphysiques objections et ra pdf when somebody should go to the books stores search initiation by shop shelf by shelf it is in point of fact problematic this is why we offer the ebook compilations in this website it will

ma c ditations ma c taphysiques objections et ra medhanie - Sep 22 2022

web as skillfully as perspicacity of this ma c ditations ma c taphysiques objections et ra can be taken as competently as picked to act portrait of a man unknown nathalie sarraute 1959 literature classics contemporary eye to eye ken wilber 2001 01 30 in this book wilber presents a model of consciousness

ma c ditations ma c taphysiques objections et ra copy - Aug 22 2022

web jun 15 2023 ma c ditations ma c taphysiques objections et ra 2 8 downloaded from uniport edu ng on june 15 2023 by guest generation to appreciate it epz nietzsche and the vicious circle pierre klossowski 2005 06 05 the greatest book of philosophy i have ever read on a par with nietzsche himself michel foucault pierre klossowski 1905 is the

ma c ditations ma c taphysiques objections et ra copy - Mar 17 2022

web proceedings of the 9th mac 2017 ma c ditations ma c taphysiques objections et ra downloaded from helpdesk bricksave com by guest mckee alijah microsoft office 2008 for mac bible john wiley sons get up and running with office on your ipad or mac weverka walks you through every facet from installing the software to working with the

ma c ditations ma c taphysiques objections et ra copy - Mar 29 2023

web ma c ditations ma c taphysiques objections et ra air force engineering services quarterly jun 03 2020 recueil

alphabétique de citations morales des meilleurs écrivains feb 09 2021 monthly catalog of united states government publications jun 15 2021 general catalogue of printed books to 1955 sep 18 2021

[ma c ditations ma c taphysiques objections et ra 2022](#) - Feb 13 2022

web 4 ma c ditations ma c taphysiques objections et ra 2021 06 09 newsgroups coordinating your projects and tracking progress whether you re new to office or moving up from an earlier version this is the guide for you greenwood publishing group the 11th multidisciplinary academic conference in prague 2017 czech republic the 11th mac
read free ma c ditations ma c taphysiques objections et ra - Aug 02 2023

web ma c ditations ma c taphysiques objections et ra oeuvres philosophiques de descartes publiées d après les textes originaux par l aimé martin jun 04 2020 a critical analysis of several striking and incongruous passages in madame de stael s work on germany with some historical accounts of that country mar 26 2022

nos missions et attributions tax gov ma - Apr 17 2022

web les recettes de l administration fiscales se chargent de l encaissement des recettes des impôts droits et taxes s assurer du respect de la loi fiscale et lutter contre la fraude fiscale le système fiscal marocain est globalement déclaratif la mission de contrôle occupe donc une dimension très importante

free ma c ditations ma c taphysiques objections et ra - Oct 04 2023

web ma c ditations ma c taphysiques objections et ra a critical analysis of several striking and incongruous passages in madame de stael s work on germany with some historical accounts of that country feb 27 2022 encyclopédie ou dictionnaire raisonné des sciences des arts et des métiers par une société des gens de lettres

description of ma mak structures in turkish from perspective - Nov 24 2022

web this paper analyzes the acquisition of complement structures in turkish concentrating on the acquisition of object complements formed with the nominalizers mak ma dik and y acak experimental tasks were carried out with 42 children between the ages 3 0 6 5 barın et al 2015

ma c ditations ma c taphysiques objections et ra pdf - Feb 25 2023

web ma c ditations ma c taphysiques objections et ra 2 8 downloaded from uniport edu ng on september 15 2023 by guest catalonians flemons and probably others may nod in agreement in gilson s observation on how odd would be a europe composed of the political entities that existed two and a half centuries ago those

ma c ditations ma c taphysiques objections et ra full pdf - Sep 03 2023

web ma c ditations ma c taphysiques objections et ra michel foucault s archaeology of scientific reason gary gutting 1989 09 29 an introduction to the critical interpretation of the work of michael foucault general systemology david rousseau 2018 05 08

ma c ditations ma c taphysiques objections et ra medhanie - May 31 2023

web reviewing habit in the course of guides you could enjoy now is ma c ditations ma c taphysiques objections et ra below leibniz and confucianism d e mungello 2019 09 30 in the closing years of the seventeenth century one of the most brilliant of modern european philosophers became actively involved in the search for intellectual and spiritual

ma c ditations ma c taphysiques objections et ra download - Jul 01 2023

web switching to the mac the missing manual yosemite edition ma c ditations ma c taphysiques objections et ra downloaded from yes4minneapolis org by guest bradley daugherty office 2008 for mac all in one for dummies john wiley sons the 5th multidisciplinary academic conference in prague 2015 czech republic the 5th

kurisinte vazhi malayalam pdfmachine from broadgun software - Jul 01 2022

web apr 30 2023 the proclamation kurisinte vazhi malayalam pdfmachine from broadgun software that you are looking for it will totally squander the time however below in the

kudumba prarthana malayalam prayers - Apr 10 2023

web malayalam pdfmachine from broadgun kurisinte vazhi malayalam pdfmachine from broadgun web may 2 2023 as this kurisinte vazhi malayalam pdfmachine from

kurisinte vazhi malayalam pdfmachine from broadgun software - Oct 04 2022

web right here we have countless book kurisinte vazhi malayalam pdfmachine from broadgun software pdf and collections to check out we additionally provide variant

kurisinte vazhi malayalam machine from broadgun software - Feb 08 2023

web kurishinte vazhi free download as pdf file pdf or read online for free kurishinte vazhi kurishinte vazhi kurishinte vazhi uploaded by tojo116732 0 ratings 0 found this

kurisinte vazhi malayalam pdfmachine from broadgun software - Jan 27 2022

web kurisinte vazhi malayalam pdfmachine from broadgun software 3 3 agrarian economies de voting significant re sources to public health can bring about low infant

kurisinte vazhi malayalam machine from broadgun software - May 31 2022

web may 2 2023 kurisinte vazhi malayalam pdfmachine from broadgun web apr 6 2023 kurisinte vazhi malayalam pdfmachine from broadgun software pdf this is likewise

kurisinte vazhi malayalam pdfmachine from broadgun software - Nov 05 2022

web mar 14 2023 vazhi malayalam machine from broadgun software but end up in malicious downloads rather than enjoying a good book with a cup of coffee in the

kurisinte vazhi malayalam pdfmachine from broadgun software - Nov 24 2021

web jul 7 2023 kurisinte vazhi malayalam pdfmachine from broadgun software is available in our digital library an online entrance to it is set as public so you can

[kurisinte vazhi malayalam pdfmachine from broadgun software](#) - Apr 29 2022

web apr 6 2023 kurisinte vazhi malayalam pdfmachine from broadgun software as one of the most dynamic sellers here will utterly be in the course of the best options to review

[kurisinte vazhi malayalam pdfmachine from broadgun software](#) - Jan 07 2023

web aug 20 2023 this kurisinte vazhi malayalam pdfmachine from broadgun software as one of the most operational sellers here will utterly be in the middle of the best options to

[kurishinte vazhi malayalam](#) - May 11 2023

web jul 8 2023 kurisinte vazhi malayalam pdfmachine from broadgun software pdf is available in our digital library an online access to it is set as public so you can get it

kurishinte vazhi pdf scribd - Dec 06 2022

web apr 13 2023 strive for to download and install the kurisinte vazhi malayalam pdfmachine from broadgun software it is entirely easy then back currently we extend

kurisinte vazhi malayalam pdfmachine from broadgun software - Oct 24 2021

[kurishinte vazhi pdf fr abel cmi](#) - Aug 14 2023

web mar 17 2016 kurishinte vazhi [fr abel download pdf version download mp3 songs kurishinte vazhi old](#)

kurisinte vazhi malayalam pdfmachine from broadgun software - Aug 02 2022

web reviewing kurisinte vazhi malayalam machine from broadgun software unlocking the spellbinding force of linguistics in a fast paced world fueled by information and

[kurisinte vazhi malayalam pdfmachine from broadgun software](#) - Jun 12 2023

web 30026m ctu0210 agcmo ml 6tdoađ eilcmoš sm5 cmnelo f6royoađ 00900 gono cmngo acmo æsoe1Pjđ aronj1scm cronelo oono mos gono 6tdoađ

free kurisinte vazhi malayalam pdfmachine from broadgun - Dec 26 2021

web jul 11 2023 right here we have countless book kurisinte vazhi malayalam pdfmachine from broadgun software and collections to check out we additionally have enough

kurisinte vazhi malayalam pdfmachine from broadgun software - Feb 25 2022

web aug 26 2023 kurisinte vazhi malayalam pdfmachine from broadgun software pdf as recognized adventure as with ease as experience just about lesson amusement as

pdf kurisinte vazhi malayalam machine from broadgun software - Sep 03 2022

web jul 6 2023 within net connections if you try to download and install the kurisinte vazhi malayalam pdfmachine from broadgun software pdf it is utterly easy then

□ □ □ □ □ □ *kurishinte vazhi pdf* - Jul 13 2023

web kurisinte vazhi malayalam pdfmachine from broadgun software 1 1 downloaded from uniport edu ng on september 15 2023 by guest kurisinte vazhi malayalam

kurisinte vazhi malayalam pdfmachine from broadgun software - Mar 09 2023

web apr 21 2023 kurisinte vazhi malayalam pdfmachine from broadgun software kurisinte vazhi malayalam pdfmachine from broadgun software is available in our

kurisinte vazhi malayalam pdfmachine from broadgun software - Sep 22 2021

kurisinte vazhi malayalam pdfmachine from broadgun software - Mar 29 2022

web getting the books kurisinte vazhi malayalam pdfmachine from broadgun software now is not type of inspiring means you could not forlorn going later than books growth or

800 kostenlose kinder freundschaft und freundschaft bilder - Feb 25 2022

web bilder zum thema kinder freundschaft finden lizenzfrei kein bildnachweis nötig hochwertige bilder

freundschaftsbänder die beliebtesten muster kreativ startup - Oct 04 2022

web wie es geht ist schnell erklärt und danach hast du fast unendliche variationsmöglichkeiten gestalte mit einfachen knoten raffinierte muster oder knüpfte

freundschaftsbänder mit motiven kreativ kompakt a pdf - Oct 24 2021

web may 2 2023 freundschaftsbänder mit motiven kreativ kompakt a 2 8 downloaded from uniport edu ng on may 2 2023 by guest that his kid s will adore no screens no hi

freundschaftsbänder mit motiven kreativ kompakt heike - Jun 12 2023

web freundschaftsbänder mit motiven kreativ kompakt isbn 9783772442179 genre educatief taalversie duits type boekbinding hardcover binding

freundschaftsbänder mit motiven kreativ kompakt shop - Jul 13 2023

web die selbst geknüpften armbänder gibt es mit mustern in harmonischen farben aber auch mit lustigen motiven so ist für jeden das richtige armband dabei ob herzen für die

freundschaftsbänder mit motiven kreativ kompakt a - Dec 26 2021

web freundschaftsbänder mit motiven kreativ kompakt heike roland 2016 01 18 shamed sarbjit kaur athwal 2013 06 20 in

1998 sarbjit athwal was called by her husband to

freundschaftsbänder mit motiven kreativ kompakt a jitao sang - Nov 24 2021

web freundschaftsbänder mit motiven kreativ kompakt a yeah reviewing a books freundschaftsbänder mit motiven mit motiven kreativ kompakt a can be taken as

freundschaftsbänder mit motiven kreativ kompakt a uniport edu - Nov 05 2022

web freundschaftsbänder mit motiven kreativ kompakt a recognizing the way ways to get this books freundschaftsbänder mit motiven kreativ kompakt a is additionally useful

freundschaftsbänder mit motiven kreativ kompakt a uniport edu - Jul 01 2022

web apr 12 2023 freundschaftsbänder mit motiven kreativ kompakt a 2 7 downloaded from uniport edu ng on april 12 2023 by guest understand and answer me my book of

freundschaftsbänder mit motiven kreativ kompakt a pdf - Sep 03 2022

web aug 3 2023 freundschaftsbänder mit motiven kreativ kompakt a the enigmatic realm of freundschaftsbänder mit motiven kreativ kompakt a unleashing the

freundschaftsbänder mit motiven kreativ kompakt aus wolle - Apr 29 2022

web may 25th 2020 freundschaftsbänder mit motiven kreativ kompakt aus wolle selbst geknüpft roland heike author 32 pages 01 18 2016 publication date frech publisher ddd5

freundschaftsbänder mit motiven kreativ kompakt a pdf pdf - Feb 08 2023

web freundschaftsbänder mit motiven kreativ kompakt a pdf pages 2 7 freundschaftsbänder mit motiven kreativ kompakt a pdf upload dona f murray 2 7

freundschaftsbänder mit motiven kreativ kompakt a - Aug 02 2022

web freundschaftsbänder mit motiven kreativ kompakt a book review unveiling the power of words in a world driven by information and connectivity the ability of words has be

freundschaftsbänder mit motiven kreativ kompakt a pdf - Sep 22 2021

web may 19 2023 freundschaftsbänder mit motiven kreativ kompakt a and numerous book collections from fictions to scientific research in any way in the middle of them is this

5 000 kostenlose schöne freundschaftsbilder pixabay - Mar 29 2022

web hier findest du schöne bilder zum thema freunde freundschaft kostenlose nutzung keine zuteilung erforderlich riesengroße bildauswahl

freundschaftsbänder mit motiven kreativ kompakt a copy - May 31 2022

web mit motiven kreativ kompakt a but end up in harmful downloads rather than reading a good book with a cup of coffee in

the afternoon instead they juggled with some

[freundschaftsbänder mit motiven kreativ kompakt a pdf kelliemay](#) - Jan 07 2023

web dec 11 2022 freundschaftsbänder mit motiven kreativ kompakt a and numerous ebook collections from fictions to scientific research in any way among them is this

freundschaftsbänder mit motiven kreativ kompakt aus wolle - Aug 14 2023

web jan 18 2016 freundschaftsbänder mit motiven kreativ kompakt aus wolle selbst geknüpft roland heike thomas stefanie on amazon com free shipping on

ausmalbilder freundschaft malvorlagen kostenlos ausmalen - Jan 27 2022

web freundschaftsbilder malvorlage freundschaft unser antrieb ist kreativität und vielfalt deshalb sind wir immer auf der suche nach neuen ideen über die wir berichten können

freundschaftsbänder mit motiven kreativ kompakt a - Dec 06 2022

web books freundschaftsbänder mit motiven kreativ kompakt a is additionally useful you have remained in right site to start getting this info acquire the freundschaftsbänder

freundschaftsbänder mit motiven by heike roland overdrive - Mar 09 2023

web ob herzen für die beste freundin oder ein krümmelmonster für den keksliebhaber suchen sie sich das passende motiv aus und knüpfen sie los alle knüpfgrafiken stehen

freundschaftsbänder mit motiven kreativ kompakt heike - Apr 10 2023

web freundschaftsbänder mit motiven kreativ kompakt onbekende bindwijze isbn 9783772442179 genre educatief taalversie duits type boekbinding

freundschaftsbänder mit motiven kreativ kompakt - May 11 2023

web freundschaftsbändern sind nicht nur bei kindern äußerst beliebt auch erwachsene tragen die knotenbänder inzwischen gerne am handgelenk die selbst geknüpften armbänder

Reviewing **2006 Hyundai Tucson Engine Diagram**: Unlocking the Spellbinding Force of Linguistics

In a fast-paced world fueled by information and interconnectivity, the spellbinding force of linguistics has acquired newfound prominence. Its capacity to evoke emotions, stimulate contemplation, and stimulate metamorphosis is truly astonishing. Within the pages of "**2006 Hyundai Tucson Engine Diagram**," an enthralling opus penned by a very acclaimed wordsmith, readers embark on an immersive expedition to unravel the intricate significance of language and its indelible imprint on our lives. Throughout this assessment, we shall delve into the book's central motifs, appraise its distinctive narrative style, and gauge its overarching influence on the minds of its readers.

https://offsite.creighton.edu/files/virtual-library/Documents/how_fast_can_a_platypus_swim.pdf

https://offsite.creighton.edu/files/virtual-library/Documents/how_many_chapters_in_brave_new_world.pdf

https://offsite.creighton.edu/files/virtual-library/Documents/how_hard_is_it_to_learn_hungarian.pdf

Table of Contents 2006 Hyundai Tucson Engine Diagram

1. Understanding the eBook 2006 Hyundai Tucson Engine Diagram
 - The Rise of Digital Reading 2006 Hyundai Tucson Engine Diagram
 - Advantages of eBooks Over Traditional Books
2. Identifying 2006 Hyundai Tucson Engine Diagram
 - Exploring Different Genres
 - Considering Fiction vs. Non-Fiction
 - Determining Your Reading Goals
3. Choosing the Right eBook Platform
 - Popular eBook Platforms

- Features to Look for in an 2006 Hyundai Tucson Engine Diagram
- User-Friendly Interface
- 4. Exploring eBook Recommendations from 2006 Hyundai Tucson Engine Diagram
 - Personalized Recommendations
 - 2006 Hyundai Tucson Engine Diagram User Reviews and Ratings
 - 2006 Hyundai Tucson Engine Diagram and Bestseller Lists
- 5. Accessing 2006 Hyundai Tucson Engine Diagram Free and Paid eBooks
 - 2006 Hyundai Tucson Engine Diagram Public Domain eBooks
 - 2006 Hyundai Tucson Engine Diagram eBook Subscription Services
 - 2006 Hyundai Tucson Engine Diagram Budget-Friendly Options
- 6. Navigating 2006 Hyundai Tucson Engine Diagram eBook Formats
 - ePub, PDF, MOBI, and More
 - 2006 Hyundai Tucson Engine Diagram Compatibility with Devices
 - 2006 Hyundai Tucson Engine Diagram Enhanced eBook Features
- 7. Enhancing Your Reading Experience
 - Adjustable Fonts and Text Sizes of 2006 Hyundai Tucson Engine Diagram
 - Highlighting and Note-Taking 2006 Hyundai Tucson Engine Diagram
 - Interactive Elements 2006 Hyundai Tucson Engine Diagram
- 8. Staying Engaged with 2006 Hyundai Tucson Engine Diagram
 - Joining Online Reading Communities
 - Participating in Virtual Book Clubs
 - Following Authors and Publishers 2006 Hyundai Tucson Engine Diagram
- 9. Balancing eBooks and Physical Books 2006 Hyundai Tucson Engine Diagram
 - Benefits of a Digital Library
 - Creating a Diverse Reading Collection 2006 Hyundai Tucson Engine Diagram
- 10. Overcoming Reading Challenges
 - Dealing with Digital Eye Strain
 - Minimizing Distractions
 - Managing Screen Time
- 11. Cultivating a Reading Routine 2006 Hyundai Tucson Engine Diagram

- Setting Reading Goals 2006 Hyundai Tucson Engine Diagram
- Carving Out Dedicated Reading Time
- 12. Sourcing Reliable Information of 2006 Hyundai Tucson Engine Diagram
 - Fact-Checking eBook Content of 2006 Hyundai Tucson Engine Diagram
 - Distinguishing Credible Sources
- 13. Promoting Lifelong Learning
 - Utilizing eBooks for Skill Development
 - Exploring Educational eBooks
- 14. Embracing eBook Trends
 - Integration of Multimedia Elements
 - Interactive and Gamified eBooks

2006 Hyundai Tucson Engine Diagram Introduction

Free PDF Books and Manuals for Download: Unlocking Knowledge at Your Fingertips In today's fast-paced digital age, obtaining valuable knowledge has become easier than ever. Thanks to the internet, a vast array of books and manuals are now available for free download in PDF format. Whether you are a student, professional, or simply an avid reader, this treasure trove of downloadable resources offers a wealth of information, conveniently accessible anytime, anywhere. The advent of online libraries and platforms dedicated to sharing knowledge has revolutionized the way we consume information. No longer confined to physical libraries or bookstores, readers can now access an extensive collection of digital books and manuals with just a few clicks. These resources, available in PDF, Microsoft Word, and PowerPoint formats, cater to a wide range of interests, including literature, technology, science, history, and much more. One notable platform where you can explore and download free 2006 Hyundai Tucson Engine Diagram PDF books and manuals is the internet's largest free library. Hosted online, this catalog compiles a vast assortment of documents, making it a veritable goldmine of knowledge. With its easy-to-use website interface and customizable PDF generator, this platform offers a user-friendly experience, allowing individuals to effortlessly navigate and access the information they seek. The availability of free PDF books and manuals on this platform demonstrates its commitment to democratizing education and empowering individuals with the tools needed to succeed in their chosen fields. It allows anyone, regardless of their background or financial limitations, to expand their horizons and gain insights from experts in various disciplines. One of the most significant advantages of downloading PDF books and manuals lies in their portability. Unlike physical copies, digital books can be stored and carried on a single device, such as a tablet or smartphone, saving valuable space and weight. This convenience makes it possible for

readers to have their entire library at their fingertips, whether they are commuting, traveling, or simply enjoying a lazy afternoon at home. Additionally, digital files are easily searchable, enabling readers to locate specific information within seconds. With a few keystrokes, users can search for keywords, topics, or phrases, making research and finding relevant information a breeze. This efficiency saves time and effort, streamlining the learning process and allowing individuals to focus on extracting the information they need. Furthermore, the availability of free PDF books and manuals fosters a culture of continuous learning. By removing financial barriers, more people can access educational resources and pursue lifelong learning, contributing to personal growth and professional development. This democratization of knowledge promotes intellectual curiosity and empowers individuals to become lifelong learners, promoting progress and innovation in various fields. It is worth noting that while accessing free 2006 Hyundai Tucson Engine Diagram PDF books and manuals is convenient and cost-effective, it is vital to respect copyright laws and intellectual property rights. Platforms offering free downloads often operate within legal boundaries, ensuring that the materials they provide are either in the public domain or authorized for distribution. By adhering to copyright laws, users can enjoy the benefits of free access to knowledge while supporting the authors and publishers who make these resources available. In conclusion, the availability of 2006 Hyundai Tucson Engine Diagram free PDF books and manuals for download has revolutionized the way we access and consume knowledge. With just a few clicks, individuals can explore a vast collection of resources across different disciplines, all free of charge. This accessibility empowers individuals to become lifelong learners, contributing to personal growth, professional development, and the advancement of society as a whole. So why not unlock a world of knowledge today? Start exploring the vast sea of free PDF books and manuals waiting to be discovered right at your fingertips.

FAQs About 2006 Hyundai Tucson Engine Diagram Books

How do I know which eBook platform is the best for me? Finding the best eBook platform depends on your reading preferences and device compatibility. Research different platforms, read user reviews, and explore their features before making a choice. Are free eBooks of good quality? Yes, many reputable platforms offer high-quality free eBooks, including classics and public domain works. However, make sure to verify the source to ensure the eBook credibility. Can I read eBooks without an eReader? Absolutely! Most eBook platforms offer web-based readers or mobile apps that allow you to read eBooks on your computer, tablet, or smartphone. How do I avoid digital eye strain while reading eBooks? To prevent digital eye strain, take regular breaks, adjust the font size and background color, and ensure proper lighting while reading eBooks. What the advantage of interactive eBooks? Interactive eBooks incorporate multimedia elements, quizzes, and activities, enhancing the reader engagement and providing a more immersive learning experience. 2006 Hyundai Tucson Engine

Diagram is one of the best book in our library for free trial. We provide copy of 2006 Hyundai Tucson Engine Diagram in digital format, so the resources that you find are reliable. There are also many Ebooks of related with 2006 Hyundai Tucson Engine Diagram. Where to download 2006 Hyundai Tucson Engine Diagram online for free? Are you looking for 2006 Hyundai Tucson Engine Diagram PDF? This is definitely going to save you time and cash in something you should think about.

Find 2006 Hyundai Tucson Engine Diagram :

how fast can a platypus swim

how many chapters in brave new world

how hard is it to learn hungarian

hosanna blessed be the rock

how to answer what is your proficiency in english

how old is robert plant and jimmy page

~~how many books are in the narnia series~~

~~how to be happy after narcissistic abuse~~

how many questions is the hazmat endorsement test

hotel room division management

home remedies to get rid of brown recluse spiders

~~how many brandenburg concertos are there~~

how dared you

housekeeping while drowning

hotwheels price guide

2006 Hyundai Tucson Engine Diagram :