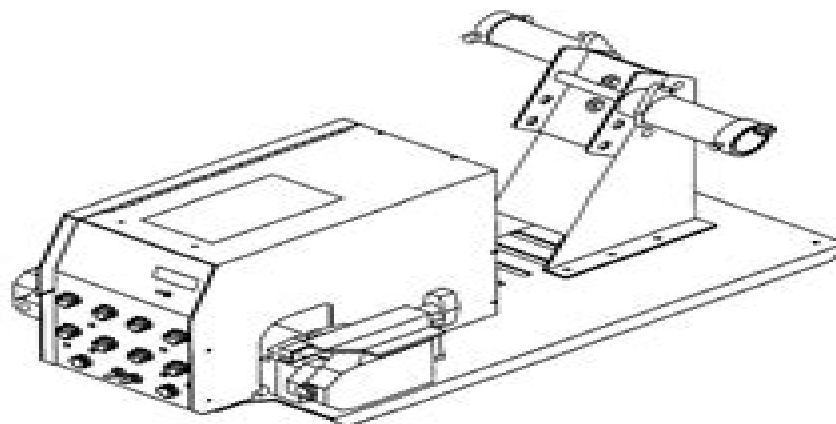




February 1992 FORM: OM-1582A
Effective With Serial No. KC174786

MODEL: D-62
D-64



OWNER'S MANUAL

► **IMPORTANT:** Read and understand the entire contents of both this manual and the power source manual used with this unit, with special emphasis on the safety material throughout the manual, before installing, operating, or maintaining this equipment. This unit and these instructions are for use only by persons trained and experienced in the safe operation of welding equipment. Do not allow untrained persons to install, operate, or maintain this unit. Contact your distributor if you do not fully understand these instructions.

MILLER ELECTRIC Mfg. Co.
A Miller Group Ltd. Company

P.O. Box 1079
Appleton, WI 54912 USA
Tel. 414-734-9821

Miller Welder Repair Manual

Lorn Campbell



Miller Welder Repair Manual

If you ally dependence such a referred **Miller Welder Repair Manual** book that will have enough money you worth, acquire the agreed best seller from us currently from several preferred authors. If you want to comical books, lots of novels, tale, jokes, and more fictions collections are after that launched, from best seller to one of the most current released.

You may not be perplexed to enjoy every book collections Miller Welder Repair Manual that we will totally offer. It is not on the costs. Its just about what you infatuation currently. This Miller Welder Repair Manual, as one of the most working sellers here will no question be in the course of the best options to review.

https://offsite.creighton.edu/book/scholarship/Download_PDFS/grade_5_vocabulary_words_with_meaning.pdf

https://offsite.creighton.edu/book/scholarship/Download_PDFS/guaranteed%20profit%20option%20strategy%20pdf.pdf

https://offsite.creighton.edu/book/scholarship/Download_PDFS/Guitar%20Chords%20For%20Open%20G%20Tuning.pdf

Table of Contents Miller Welder Repair Manual

1. Understanding the eBook Miller Welder Repair Manual
 - The Rise of Digital Reading Miller Welder Repair Manual
 - Advantages of eBooks Over Traditional Books
2. Identifying Miller Welder Repair Manual
 - Exploring Different Genres
 - Considering Fiction vs. Non-Fiction
 - Determining Your Reading Goals
3. Choosing the Right eBook Platform
 - Popular eBook Platforms
 - Features to Look for in an Miller Welder Repair Manual
 - User-Friendly Interface
4. Exploring eBook Recommendations from Miller Welder Repair Manual
 - Personalized Recommendations
 - Miller Welder Repair Manual User Reviews and Ratings
 - Miller Welder Repair Manual and Bestseller Lists
5. Accessing Miller Welder Repair Manual Free and Paid eBooks

- Miller Welder Repair Manual Public Domain eBooks
 - Miller Welder Repair Manual eBook Subscription Services
 - Miller Welder Repair Manual Budget-Friendly Options
6. Navigating Miller Welder Repair Manual eBook Formats
- ePub, PDF, MOBI, and More
 - Miller Welder Repair Manual Compatibility with Devices
 - Miller Welder Repair Manual Enhanced eBook Features
7. Enhancing Your Reading Experience
- Adjustable Fonts and Text Sizes of Miller Welder Repair Manual
 - Highlighting and Note-Taking Miller Welder Repair Manual
 - Interactive Elements Miller Welder Repair Manual
8. Staying Engaged with Miller Welder Repair Manual
- Joining Online Reading Communities
 - Participating in Virtual Book Clubs
 - Following Authors and Publishers Miller Welder Repair Manual
9. Balancing eBooks and Physical Books Miller Welder Repair Manual
- Benefits of a Digital Library
 - Creating a Diverse Reading Collection Miller Welder Repair Manual
10. Overcoming Reading Challenges
- Dealing with Digital Eye Strain
 - Minimizing Distractions
 - Managing Screen Time
11. Cultivating a Reading Routine Miller Welder Repair Manual
- Setting Reading Goals Miller Welder Repair Manual
 - Carving Out Dedicated Reading Time
12. Sourcing Reliable Information of Miller Welder Repair Manual
- Fact-Checking eBook Content of Miller Welder Repair Manual
 - Distinguishing Credible Sources
13. Promoting Lifelong Learning
- Utilizing eBooks for Skill Development

- Exploring Educational eBooks
14. Embracing eBook Trends
- Integration of Multimedia Elements
 - Interactive and Gamified eBooks

Miller Welder Repair Manual Introduction

Free PDF Books and Manuals for Download: Unlocking Knowledge at Your Fingertips In today's fast-paced digital age, obtaining valuable knowledge has become easier than ever. Thanks to the internet, a vast array of books and manuals are now available for free download in PDF format. Whether you are a student, professional, or simply an avid reader, this treasure trove of downloadable resources offers a wealth of information, conveniently accessible anytime, anywhere. The advent of online libraries and platforms dedicated to sharing knowledge has revolutionized the way we consume information. No longer confined to physical libraries or bookstores, readers can now access an extensive collection of digital books and manuals with just a few clicks. These resources, available in PDF, Microsoft Word, and PowerPoint formats, cater to a wide range of interests, including literature, technology, science, history, and much more. One notable platform where you can explore and download free Miller Welder Repair Manual PDF books and manuals is the internet's largest free library. Hosted online, this catalog compiles a vast assortment of documents, making it a veritable goldmine of knowledge. With its easy-to-use website interface and customizable PDF generator, this platform offers a user-friendly experience, allowing individuals to effortlessly navigate and access the information they seek. The availability of free PDF books and manuals on this platform demonstrates its commitment to democratizing education and empowering individuals with the tools needed to succeed in their chosen fields. It allows anyone, regardless of their background or financial limitations, to expand their horizons and gain insights from experts in various disciplines. One of the most significant advantages of downloading PDF books and manuals lies in their portability. Unlike physical copies, digital books can be stored and carried on a single device, such as a tablet or smartphone, saving valuable space and weight. This convenience makes it possible for readers to have their entire library at their fingertips, whether they are commuting, traveling, or simply enjoying a lazy afternoon at home. Additionally, digital files are easily searchable, enabling readers to locate specific information within seconds. With a few keystrokes, users can search for keywords, topics, or phrases, making research and finding relevant information a breeze. This efficiency saves time and effort, streamlining the learning process and allowing individuals to focus on extracting the information they need. Furthermore, the availability of free PDF books and manuals fosters a culture of continuous learning. By removing financial barriers, more people can access educational resources and pursue lifelong learning, contributing to personal growth and professional development. This democratization of knowledge promotes intellectual curiosity and empowers

individuals to become lifelong learners, promoting progress and innovation in various fields. It is worth noting that while accessing free Miller Welder Repair Manual PDF books and manuals is convenient and cost-effective, it is vital to respect copyright laws and intellectual property rights. Platforms offering free downloads often operate within legal boundaries, ensuring that the materials they provide are either in the public domain or authorized for distribution. By adhering to copyright laws, users can enjoy the benefits of free access to knowledge while supporting the authors and publishers who make these resources available. In conclusion, the availability of Miller Welder Repair Manual free PDF books and manuals for download has revolutionized the way we access and consume knowledge. With just a few clicks, individuals can explore a vast collection of resources across different disciplines, all free of charge. This accessibility empowers individuals to become lifelong learners, contributing to personal growth, professional development, and the advancement of society as a whole. So why not unlock a world of knowledge today? Start exploring the vast sea of free PDF books and manuals waiting to be discovered right at your fingertips.

FAQs About Miller Welder Repair Manual Books

How do I know which eBook platform is the best for me? Finding the best eBook platform depends on your reading preferences and device compatibility. Research different platforms, read user reviews, and explore their features before making a choice. Are free eBooks of good quality? Yes, many reputable platforms offer high-quality free eBooks, including classics and public domain works. However, make sure to verify the source to ensure the eBook credibility. Can I read eBooks without an eReader? Absolutely! Most eBook platforms offer webbased readers or mobile apps that allow you to read eBooks on your computer, tablet, or smartphone. How do I avoid digital eye strain while reading eBooks? To prevent digital eye strain, take regular breaks, adjust the font size and background color, and ensure proper lighting while reading eBooks. What the advantage of interactive eBooks? Interactive eBooks incorporate multimedia elements, quizzes, and activities, enhancing the reader engagement and providing a more immersive learning experience. Miller Welder Repair Manual is one of the best book in our library for free trial. We provide copy of Miller Welder Repair Manual in digital format, so the resources that you find are reliable. There are also many Ebooks of related with Miller Welder Repair Manual. Where to download Miller Welder Repair Manual online for free? Are you looking for Miller Welder Repair Manual PDF? This is definitely going to save you time and cash in something you should think about. If you trying to find then search around for online. Without a doubt there are numerous these available and many of them have the freedom. However without doubt you receive whatever you purchase. An alternate way to get ideas is always to check another Miller Welder Repair Manual. This method for see exactly what may be included and adopt these ideas to your book. This site will almost certainly help you save

time and effort, money and stress. If you are looking for free books then you really should consider finding to assist you try this. Several of Miller Welder Repair Manual are for sale to free while some are payable. If you arent sure if the books you would like to download works with for usage along with your computer, it is possible to download free trials. The free guides make it easy for someone to free access online library for download books to your device. You can get free download on free trial for lots of books categories. Our library is the biggest of these that have literally hundreds of thousands of different products categories represented. You will also see that there are specific sites catered to different product types or categories, brands or niches related with Miller Welder Repair Manual. So depending on what exactly you are searching, you will be able to choose e books to suit your own need. Need to access completely for Campbell Biology Seventh Edition book? Access Ebook without any digging. And by having access to our ebook online or by storing it on your computer, you have convenient answers with Miller Welder Repair Manual To get started finding Miller Welder Repair Manual, you are right to find our website which has a comprehensive collection of books online. Our library is the biggest of these that have literally hundreds of thousands of different products represented. You will also see that there are specific sites catered to different categories or niches related with Miller Welder Repair Manual So depending on what exactly you are searching, you will be able to choose ebook to suit your own need. Thank you for reading Miller Welder Repair Manual. Maybe you have knowledge that, people have search numerous times for their favorite readings like this Miller Welder Repair Manual, but end up in harmful downloads. Rather than reading a good book with a cup of coffee in the afternoon, instead they juggled with some harmful bugs inside their laptop. Miller Welder Repair Manual is available in our book collection an online access to it is set as public so you can download it instantly. Our digital library spans in multiple locations, allowing you to get the most less latency time to download any of our books like this one. Merely said, Miller Welder Repair Manual is universally compatible with any devices to read.

Find Miller Welder Repair Manual :

grade 5 vocabulary words with meaning

[guaranteed profit option strategy pdf](#)

guitar chords for open g tuning

[graduation speech navy seal](#)

goodnight in italian pronunciation

great novels of mark twain

[ham vs shortwave radio](#)

[guru granth sahib pdf in english](#)

[handwriting practice paper pdf free](#)

[guided meditation for anxiety script](#)

[guided practice activities](#)

green ranger megazord

[gre quantitative topics](#)

handwriting lessons for adults

[great pyramid k2019](#)

Miller Welder Repair Manual :

[sand tray therapy directions how to do it creative](#) - Sep 10 2022

web the sand tray therapy client will be putting a piece of their inner world psyche into the sand tray there is no right or wrong way to do sand tray therapy 2 ask your sand tray therapy client to build their sand tray therapy world in the sand tray

sandtray therapy exercises book - Apr 05 2022

web programmes by presenting exercise instructions using the swiss ball it provides illustrated exercises for the therapist

chiropractor physical or healthcare professional therapeutic exercise for physical therapist assistants aug 06 2022

completely updated and rewritten to meet the specific needs of physical therapist assistants this second

free games and tools for virtual counseling confident - Jul 08 2022

web jan 3 2021 a sandtray is one of the best expressive tools to use when counseling children now you can use a virtual sandtray to accomplish some of the same benefits as using sand in real life your client can share their screen with you as you provide sandtray building prompts

exploring the benefits of sand tray therapy for adults - Aug 09 2022

web apr 16 2013 many people associate a sandbox with children s play however there is a special type of expressive therapy in which a tray of sand is used to create and explore imaginary worlds this modality

introduction to sandtray therapy national university of singapore - Jul 20 2023

web 1 setting up the sandtray therapy 2 selection of miniatures 3 expanding observation and inquiry skills and abilities to track the sand play process 4 providing guidelines to conduct the sandtray therapy session who should attend this course is targeted at practitioners who work with children and youths to improve

sandtray basic tools methods - Mar 04 2022

web description this 2 day workshop introduces the basic tools and methods of sandtray play therapy for both children and adults participants will explore various elements of the sandtray process in the context of clinical practice

[sand tray therapy](#) - Feb 15 2023

web mar 5 2020 sand tray therapy allows a person to construct their own microcosm using miniature toys and colored sand the scene created acts as a reflection of the person s own life and allows them the

strategies for using sandtray in counseling with children - Sep 22 2023

web 1950 s sandplay therapy kalff student of jung 1970 s sandtray in child centered play therapy de domenico play is a voluntary exercise within a world of rules and expectations play is free from evaluation and judgement play

the evidence and benefits of sand tray therapy healthline - Mar 16 2023

web sep 7 2022 sand tray therapy techniques and activities there are a number of different techniques and activities that can be done in sand tray therapy but broadly there are two main techniques

sandtray therapy exercises cyberlab sutd edu sg - Oct 11 2022

web sandtray therapy exercises integrative play therapy jul 08 2021 an integrative approach to play therapy blending various therapeutic treatment models and techniques reflecting the transition in the field of play therapy from a one size fits all approach to a more eclectic framework that integrates more than one perspective integrative

[sand tray therapy benefits uses techniques and research psych central](#) - Aug 21 2023

web oct 7 2021 discover what is sand tray therapy definition uses techniques sand tray vs sandplay therapy evidence next steps sand tray therapy may sound like simple play but it s actually a

sand tray therapy definition uses and benefits medical news today - Jan 14 2023

web apr 26 2022 ninelutsk getty images sand tray therapy is a hands on and expressive approach that uses miniature figurines and sometimes water to build scenes and stories within a sand filled tray dora kalff

exploring sandtray prompts a comprehensive guide to sandtray therapy - May 18 2023

web may 31 2023 story prompt examples for sandtray therapy story prompts are one of the most effective ways to use sandtray therapy to help people express their emotions and feelings story prompts can be used to explore a variety of topics including anxiety depression trauma and grief

a creative tool for trauma therapy sand tray therapy ptsd dis - Jun 07 2022

web oct 5 2017 a creative and hands on approach that can support trauma therapy sand tray therapy find out what you can do with a sand tray how to set up your own and what would be useful to have for trauma therapy specifically

100 ideas for directed sandtrays in counseling institute of - Jun 19 2023

web day and journal about each tray the author lists more than 100 ideas for directed sandtray interventions to help spur other therapists using the sandtray to be more creative in their sandtray work these ideas may also translate to other expressive arts interventions in

sand tray therapy what is it and how does it work - Dec 13 2022

web jun 18 2021 sand tray therapy is designed to help patients come up with their own solutions to the conflicts or scenarios they create activity allows our physical bodies to express concepts that our minds can't fully grasp even concepts that words can't fully describe because sand tray therapy offers a tactile experience it's enjoyable and

play therapy sandtray therapy exercise for school counselors - May 06 2022

web the sandtray therapy exercise we did in class was amazing i was surprised to learn that everything from the type of miniatures used the placement of the miniatures to the order of miniature placement has some significance

sand tray therapy definition types techniques and efficacy - Apr 17 2023

web nov 21 2023 techniques sand tray therapy is a combination of play therapy and art therapy the therapist provides the client with a tray or box filled with sand as well as a variety of miniature toys to create a play world toys may include anything from farm animals and dinosaurs to people and cars

12 creative ways to use sand tray therapy in person and in - Oct 23 2023

web aug 16 2022 updated aug 30 2022 check out these fun effective and affordable ways to use sand tray therapy in person and via telehealth some might say sand tray therapy was one of the greatest inventions in play therapy if not therapy period

50 sandtray therapy directives southern sandtray - Nov 12 2022

web 50 sandtray therapy directives build a tray about for school age children your family your friends at school your typical day one side being the best part of your world other side being the worst part of your world one side as when you feel happy other side when you feel sad you favorite things the scariest thing in your world

format akaun realisasi liululu - Feb 26 2022

web format akaun realisasi akaun pengeluaran dalam format selepas catatan jurnal disediakan ia akan diposkan ke akaun realisasi dan akaun akaun lain yang terlibat format pengiraan akaun kelab dan persatuan rancangan tahunan prinsip perakaunan t5 2017 akaun realisasi dan akaun membezakan format penyata bab 2 prinsip

format akaun 34m798o9oe46 documents and e books - Jul 14 2023

web format akaun uploaded by eleayany aidros december 2020 pdf bookmark download this document was uploaded by user and they confirmed that they have the permission to share it if you are author or own the copyright of this book please report to us by using this dmca report form report dmca

prinsip perakaunan pembubaran perkongsian - Jan 08 2023

web jan 20 2008 menutup akaun akaun aset akaun realisasi akaun akaun aset kecuali akaun bank tunai 2 merekod penjualan aset akaun bank tunai akaun realisasi 3 pengambilan aset oleh pekongsi akaun modal pekongsi yang ambil alih aset akaun realisasi 4 membayar belanja realisasi akaun realisasi akaun bank tunai 5

prinsip perkaunan form v pembubaran perkongsian - Mar 10 2023

web 1st buka satu akaun realisasi akaun ni nak guna as tempat kita nak pindahkan semua akaun yang akan ditutup or catatan bergu dia pcb 2nd tutupkan semua akaun aset kecuali tunai bank dt akaun realisasi kt setiap akaun aset yang berkenaan 3rd rekodkan tunai yang diterima from penjualan aset dt akaun tunai bank kt akaun

format akaun realisasi autoconfig ablogtowatch com - Feb 09 2023

web format akaun realisasi 5 5 work out if she really wants her struggling marriage to continue once on holiday sydney is faced with yet another dilemma when she meets lucas although their encounter is only brief sydney is left with the sickening feeling that she has fallen in love with him realising this is a romance which can never be sydney

pembubaran perkongsian membalik buku halaman 1 8 anyflip - Jun 13 2023

web oct 24 2020 a akaun realisasi b akaun bank c akaun modal pekongsi beruangan 20 nota ringkas l e h format akaun realisasi akaun realisasi kt a b dt belanja realisasi ialah hasil realisasi ialah i kos nilai buku aset kecuali tunai dan i penerimaan daripada jualan aset bank bukan semasa ketika pembubaran ii butiran

format akaun realisasi - Jul 02 2022

web format akaun realisasi rp smkrajaperempuanipoh com modul b prinsip perakaunan kertas 2 blog cg lan perakaunan stpm topik utama perakaunan stpm b sukatan pelajaran cikgu akaun prinsip perakaunan pembubaran perkongsian 04 catatan 12904782 nota tingkatan 5 slideshare howto get ready

t c sosyal gÜvenlik kurumu yapi ruhsati bildirim - Jun 01 2022

web İŞveren vekilİ İşverence yetki verilen kullanıcının adı soyadı ve İmzası yazılı bilgilerin gerçeğe uygun olduğunu beyan ederim

nota formula prinsip perakaunan membalik buku halaman 1 - Apr 11 2023

web nov 17 2020 keywords prinsipakaun spm persamaan perakaunan aset liabiliti ekuiti pemilik aset liabiliti modal untung rugi aset liabiliti modal hasil belanja catatan kontra akaun berkaitan catatan kontra aset bukan semasa susut nilai terkumpul akaun belum terima peruntukan hutang ragu

format akaun realisasi a3 phasescientific - Apr 30 2022

web format akaun realisasi 3 3 best lender avoiding fiscal pitfalls and foreclosure and much much more this easy to understand objective and jargon free guide helps you fine tune your finances figure out what you can afford and improve your credit score before you go mortgage shopping you ll get familiar with the advantages and

akaun f5 bab 4 pembubaran perkongsian - Jan 28 2022

web hye my dear students thank you for watching my video jangan lupa untuk like share comment subscribe tanda u support untuk ms buat lebih banyak video lag

perkongsian pembubaran cg narzuki online - Sep 04 2022

web jul 3 2015 akaun realisasi akaun sementara untuk menutup dan menyempurnakan urusan pembubaran apabila berlaku pembubaran sepenuhnya dalam sesuatu perkongsian dibuka untuk 1 merekod semua aset yang dijual atau diambil alih termasuk penerimaan tunai dari jualan asset diskaun diterima dan pembayaran

modul 4 perakaunan untuk perkongsian saidisulong com - May 12 2023

web dalam penyediaan lejar atau akaun kebiasaannya akaun realisasi akaun modal pekongsi dan akaun bank akan dibuka secara serentak berikut merupakan format akaun realisasi akaun modal dan akaun bank kongsi

soalan pembubaran perkongsian pdf scribd - Nov 06 2022

web kt akaun realisasi kenderaan diambil alih oleh kong pada nilai buku kt akaun realisasi pemiutang diambil alih oleh kong pada harga rm58 000 kt akaun realisasi pada harga kos dt akaun realisasi pada harga ambil alih kos pembubaran sebanyak rm6 000 dijelaskan dt akaun realisasi gaji

format akaun realisasi pdf pdf bnel org - Mar 30 2022

web format akaun realisasi pdf is clear in our digital library an online access to it is set as public thus you can download it instantly our digital library saves in multiple countries allowing you to get the most less latency period to download any of our books gone this one merely said the format akaun realisasi pdf is universally compatible

realisation account meaning format and steps for preparation - Aug 03 2022

web various steps involved in preparation of realisation account are as discussed below step 1 transfer each of the assets excluding cash balance and fictitious assets on debit side of realisation account step 2 transfer all of the outside liabilities of firm on credit side of realisation account step 3 amount realized from disposing off

akaun realisasi pdf scribd - Sep 16 2023

web akaun realisasi pindah asat dari k k k rm x bank jualan asset rm x bank belanja realisasi x modal pekongsi ambil alih x bank liabiliti x pemiutang diakaun x untung realisasi a rm x b x x xx xx akaun modal realisasi ambil alih rm x baki b b rm x bank x semasa x

skema jawapan akaun realisasi pdf scribd - Oct 05 2022

web latihan 4 soalan 1 premis stok bank belanja realisasi akaun realisasi 64 bank 000 modal sherry 23 modal ainie 600 modal rohana 5 000 92 600 realisasi akaun modal rohana 3 baki b b 020 modal sherry modal ainie 74 480 9 060 6 040 3 020 92 600 1 1 1 userguide penyesuaian format file upload mcm

format akaun realisasi controlplane themintgaming com - Dec 07 2022

web format akaun realisasi 3 3 industries in meeting the increasing global demand the papers cover topics such as halal food halal pharmaceuticals halal cosmetics and personal care halal logistics halal testing and analysis and ethics in the halal

industry overall the volume offers a comprehensive point of view on islamic principles

format akaun pdf scribd - Aug 15 2023

web format akaun tingkatan 4 dan 5 by eaidros format akaun tingkatan 4 dan 5 open navigation menu close suggestions

search search en change language close menu language tertunggak b b aur pdpt pblj terdahulu h b terdahulu b b bank

tertunggak h b akaun realisasi aset bukan semasa bank jualan pelbagai aset

kulinarische streifzüge durch schwaben booklooker - Dec 06 2022

web kulinarische streifzüge durch schwaben finden sie alle bücher von frank gerhard bei der büchersuchmaschine eurobuch

com können sie antiquarische und neubücher

kulinarische streifzüge durch schwaben gebundene ausgabe - Oct 24 2021

web kulinarische streifzüge durch schwaben isbn kostenloser versand für alle bücher mit versand und verkauf duch amazon

kulinarische streifzüge durch schwaben lovelybooks - Jun 12 2023

web jan 1 1997 kurzmeinung in schwaben gibts so viele tolle gerichte und das in jedem bereich und hier gibts lauter

köstlichkeiten aus schwaben ganz köstlicher streifzug

schwaben kulinarische streifzue - Dec 26 2021

web discover and share books you love on goodreads

3800301318 kulinarische streifzüge durch schwaben gerhard - Mar 29 2022

web find many great new used options and get the best deals for kulinarische streifzüge durch schwaben gebundene ausgabe

1987 at the best online prices at ebay free

kulinarische streifzüge durch schwaben bücher gebraucht - Mar 09 2023

web entdecken sie kulinarische streifzüge durch schwaben frank gerhard in der großen auswahl bei ebay kostenlose

lieferung für viele artikel

schwaben kulinarische streifzue jmsseniorliving - Jan 27 2022

web schwaben kulinarische streifzue finger fertig deutsches literatur lexikon the blue ribbon country cookbook tübinger

blätter children and war börsenblatt für den

kulinarische streifzue durch schwaben - Apr 10 2023

web kulinarische streifzüge durch schwaben frank gerhard und joachim döbbelin hans sigloch edition 1987 isbn 3893930132

zustand gebraucht sehr gut

kulinarische streifzüge durch schwaben amazon de - Sep 03 2022

web kulinarische streifzüge durch schwaben frank gerhard mehr lesen previous page erscheinungstermin 1 januar 1979 alle

details anzeigen next page kunden die

schwaben kulinarische streifzüge mit 75 rezepten zvab - Oct 04 2022

web kulinarische streifzüge durch schwaben frank gerhard isbn 9783800301317 kostenloser versand für alle bücher mit versand und verkauf durch amazon

kulinarische streifzüge durch schwaben gebundene ausgabe - Feb 25 2022

web schwaben kulinarische streifzüge 3 3 changed the flavour of food across the world on today s noisy streets chilli spiked sambals are served with rich noodle broths and salty

kulinarische streifzüge durch schwaben frank gerhard - Feb 08 2023

web kulinarische streifzüge durch schwaben frank gerhard und döbbelin hans joachim verlag sigloch edition 1987 isbn 10 3893930132 isbn 13 9783893930135

loading interface goodreads - Nov 24 2021

web sondereinband 8 angebote ab 8 03 kulinarische streifzüge durch franken frank gerhard 4 4 von 5 sternen 28 gebundene ausgabe 10 angebote ab 5 86 die echte

kulinarische streifzüge online kaufen ebay - May 11 2023

web jan 1 1990 kulinarische streifzüge durch schwaben hans joachim dobbelin on amazon com free shipping on qualifying offers hans joachim dobbelin

kulinarische streifzüge durch schwaben gebundene ausgabe - May 31 2022

web schönes konvolut 4 kochbücher kulinarische streifzüge durch deutschland kulinarische köstlichkeiten vollwert kulinarische köstlichkeiten aus

kulinarische streifzüge durch schwaben hardcover abebooks - Jul 01 2022

web deutsch literarische bewegung moderne besonderheiten leder gebunden illustriert kunstleder gebunden autor dr oetker vintage nein format gebundene ausgabe

kulinarische streifzüge durch schwaben frank gerhard - Aug 02 2022

web kulinarische streifzüge durch schwaben gerhard frank verlag sigloch edition germany 1979 isbn 10 3800301318 isbn 13 9783800301317 neu hardcover

schwaben kulinarische streifzuege zvab - Jul 13 2023

web schwaben kulinarische streifzüge mit 75 rezepten von reichert hans dieter wägerle dieter und eine große auswahl ähnlicher bücher kunst und sammlerstücke erhältlich

kulinarische streifzüge durch schwaben amazon de bücher - Sep 22 2021

3893930132 kulinarische streifzüge durch schwaben eurobuch - Nov 05 2022

web schwaben kulinarische streifzüge mit 75 rezepten beim zvab com isbn 10 3893930701 isbn 13 9783893930708 sigloch edition hardcover

9783893930135 kulinarische streifzüge durch schwaben zvab - Jan 07 2023

web isbn 3800301318 kulinarische streifzüge durch schwaben gebraucht antiquarisch neu kaufen preisvergleich käuferschutz wir bücher

kulinarische streifzuege durch schwaben zvab - Apr 29 2022

web kulinarische streifzüge durch schwaben finden sie alle bücher von gerhard frank bei der büchersuchmaschine eurobuch com können sie antiquarische und neubücher

kulinarische streifzüge durch schwaben gebundene ausgabe - Aug 14 2023

web bei amazon verkaufen für eine größere ansicht klicke auf das bild kulinarische streifzüge durch schwaben gebundene ausgabe 1 januar 1987 von frank gerhard