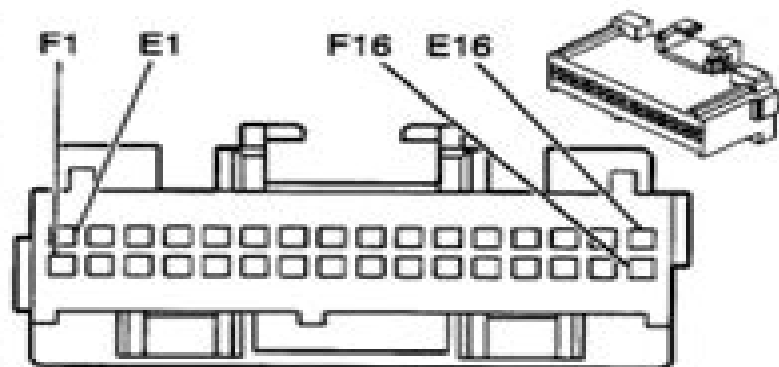


Radio (Bose®)



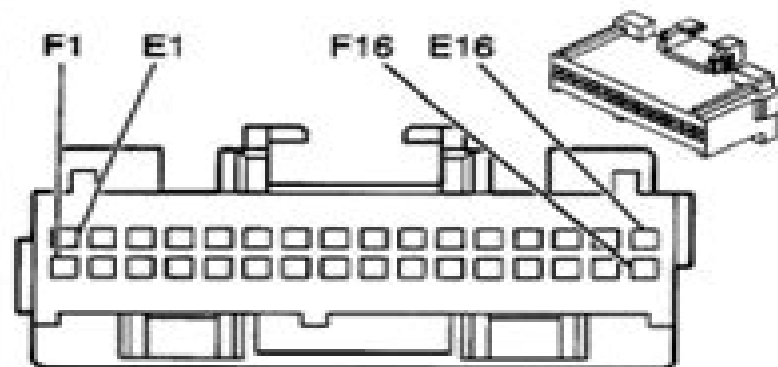
73022

Connector Part Information

- 12110115
- 32-Way F Metric-Pack 100 Series (BLU)

Pin	Wire Color	Circuit No.	Function
E1	DK GRN	835	Entertainment and Comfort Serial Data
E2-E5	—	—	Not Used
E6	DK BLU	1796	Steering Wheel Controls Signal
E7	—	—	Not Used
E8	LT GRN	2208	Adaptive Receptive System (ARS)
E9	LT BLU	1405	Remote Playback Device Audio Common Signal
E10	ORN/BLK	1406	Remote Playback Device Left Audio Signal
E11	LT GRN	1407	Remote Playback Device Right Audio Signal
E12	BRN	599	Left Rear Low Level Audio Signal (+)
E13	BRN	1999	Left Rear Low Level Audio Signal (-)
E14	LT GRN	1948	Right Front Low Level Audio Signal (-)

Radio (Bose®)



73022

Connector Part Information

- 12110115
- 32-Way F Metric-Pack 100 Series (BLU)

Pin	Wire Color	Circuit No.	Function
E15	LT GRN	512	Right Front Low Level Audio Signal (+)
E16	BLK/WHT	351	Ground
F1	ORN	640	Battery Positive Voltage
F2	YEL	43	Accessory Voltage
F3	DK GRN	145	Antenna Relay Coil Supply Voltage
F4	GRY	8	Instrument Panel Lamp Supply Voltage - 1
F5	YEL	32	Instrument Panel Lamp Fuse Supply Voltage - 1
F6	BRN	2232	Amplifier Present Signal
F7-F11	—	—	Not Used
F12	TAN	511	Left Front Low Level Audio Signal (+)
F13	DK GRN	1947	Left Front Low Level Audio Signal (-)
F14	BLK	1946	Right Rear Low Level Audio Signal (-)
F15	DK BLU	546	Right Rear Low Level Audio Signal (+)
F16	—	—	Not Used

Buick Lesabre 2002 Manual System Diagnostic Module

**David Mautner Himmelblau, James B.
Riggs**



Buick Lesabre 2002 Manual System Diagnostic Module

Automotive News, *Ask Click and Clack* Tom Magliozzi, 2008-08-06 The hilarious hosts of NPR's Car Talk have collected 100 of the best questions and more importantly their answers to a wide variety of car conundrums Illustrated

Managerial Economics James R. McGuigan, R. Charles Moyer, Frederick H. deB. Harris, 2005 With its emphasis on real world manager oriented applications this text shows students how managers apply theories and techniques to analyse and solve real world business problems

Basic Principles and Calculations in Chemical Engineering David Mautner Himmelblau, James B. Riggs, 2012 Best selling introductory chemical engineering book now updated with far more coverage of biotech nanotech and green engineering Thoroughly covers material balances gases liquids and energy balances Contains new biotech and bioengineering problems throughout

Autonomous Driving Changes the Future Zhanxiang Chai, Tianxin Nie, Jan Becker, 2020-07-22 This book systematically discusses the development of autonomous driving describing the related history technological advances infrastructure social impacts international competition China's opportunities and challenges and possible future scenarios This popular science book uses straightforward language and includes quotes from ancient Chinese poems to enhance the reading experience The discussions are supplemented by theoretical elaborations presented in tables and figures The book is intended for auto fans upper undergraduate and graduate students in the field of automotive engineering

Automotive Electrics and Electronics Horst Bauer, 1999 3rd Edition As a result of rapid technological developments the use of electronic equipment in vehicles has increased immensely This book covers a wide variety of electric electronic systems and components ranging from alternators and starting systems to safety systems theft deterrence and navigation systems Automotive Electrics and Electronics provides comprehensive easy to understand descriptions as well as numerous charts drawings and illustrations This third edition features a new section on lighting technology and updated information on starter batteries alternators starting systems spark ignition engine management diesel engine management and electromagnetic compatibility Contents include Vehicle Electrical System and Circuit Diagrams Electromagnetic Compatibility EMC Starter Batteries Traction Batteries Alternators Starting Systems Lighting Technology Washing and cleaning Systems Theft deterrence systems Comfort and Convenience Systems Information Systems Occupant Safety Systems Driving Safety Systems Spark Ignition Engine Management Diesel Engine Management Comprehensive reference that makes complex electronic issues easier to understand

SAE On-board Diagnostics for Light and Medium Duty Vehicles Standards Manual, 2010

Social Murder Wayne Michael Dunwell, 2023-03-31 Ronni's mind fell completely silent She stopped being aware of the room around her there was only the hateful figure of a bully and an abuser ahead of her all else was a blur You're in a strange city Your friend is missing Could you find the courage to do what is necessary Would you even know where to start These are the questions faced by law graduate Ronni Wong when her

friend Jenny disappears after a date with a man she met online Finding evidence suggesting that Jenny s internet lover hides the darkest of secrets Ronni is forced to embark on a journey through social media to discover the identity of a kidnapper and then a dangerous race against time through the streets of Metro Manila to save her friend s life The clock is ticking can Ronni make it in time Join Ronni as her investigation into one disappearance leads her into mortal danger Social Murder will keep you on the edge of your seat and at the same time challenge you to think about how you use social media Are you safe online *Getting to Know OBD II* Ralph Birnbaum, Jerry G. Truglia, 2001-01-01 This book is designed to give you an overview of second generation on board diagnostic strategies used in passenger cars and light trucks currently sold in the U S

Automotive Heating & Air Conditioning Editors of Haynes Manuals, 2011-05-01 Written for the do it yourselfer good enough for the pro Includes everything you wish to know about your vehicles heating and air conditioning From simple adjustments to complete tune ups and troubleshooting

Attracting Science and Mathematics Ph.D.s to Secondary School Education Center for Education, Office of Scientific and Engineering Personnel Advisory Committee, Committee on Attracting Science and Mathematics Ph.D.s to Secondary School Teaching, 2000-09-16 The National Research Council conducted a study to identify a set of incentives that state governments and local school districts can use to attract Ph D scientists and mathematicians to secondary school teaching positions This project investigated the career ambitions of Ph D s in the physical and life sciences through focus groups and a national survey to determine the kinds of work conditions and compensation packages that would induce them to take positions teaching physics chemistry biology and various electives in public high schools or positions developing secondary school science and mathematics curricula The study conducted interviews with Ph D s who are already teaching in secondary schools to ascertain information from their experiences with local school district administrators to assess what they are realistically willing to offer Ph D scientists to attract them and with higher education administrators to explore programmatic changes they would need to institute to provide Ph D s with skills tailored to secondary school teaching These investigations led to this report which describes the incentives local school districts could use in establishing pilot programs in this area

ASE Test Preparation - C1 Service Consultant Delmar Publishers, 2011-10 The fifth edition of Delmar s Automotive Service Excellence ASE Test Preparation Manual for the C1 SERVICE CONSULTANT certification exam contains an abundance of content designed to help you successfully pass your ASE exam This manual will ensure that you not only understand the task list and therefore the content your actual certification exam will be based upon but also provides descriptions of the various types of questions on a typical ASE exam as well as presents valuable test taking strategies enabling you to be fully prepared and confident on test day

Pay a Little Now, Or a Lot Later William H. Bakun, 1995

Entrepreneur by Necessity Herman Franck, 2008-01-01 Franck Associates Attorneys at Law 1801 7th Street Suite 150 Sacramento California 95811 Tel 916 447 8400 Fax 916 447 0720 Email franckherman cs com Web Francklaw com ENTREPRENEUR BY NECESSITY When you have to start a business By

Herman Franck Esq Georgetown University Law Center Washington DC Juris Doctor 1985 Georgetown University M A Economics 1985 B A Honors U C Berkeley Political Economy 1981 Member California State Bar Owner Franck Associates Attorneys at Law Owner Kit Media Co Co Founder U S Grown LLC A Kit Media Co Production Copyright 2007 by Herman Franck Esq

Consider It Sold Mike Randall,2013-03-21 This book is about preparing yourself and your home to be put on the real estate market If you re looking for a quick easy to read resource on how to get the most money for your home in the least amount of time with the least amount trouble you ve found it with Consider it Sold Mike s straight forward no nonsense advice will help you look at your home objectively through the eyes of the buyer increasing your chances for success Mike has been selling real estate since 2000 and is consistently one of the top agents in his market Everything he shares in this book is through experiences with buyers and sellers He knows what works and what doesn t Consider it Sold is the ultimate guide to selling a home in today s market

Quattro Jeremy Walton,2020-08-28 This book published on the quattro s 40th anniversary explores 25 years of factory prepared and factory supported quattros in motorsport Page 4 of cover [VW Golf GTI, Jetta and Cabrio, 1999 Thru 2002](#) Jay Storer,John H. Haynes,Haynes Manuals,2003 Models covered VW Golf GTI Jetta and Cabrio 1999 through 2002

MINI Cooper Service Manual ,2004 If you own one of these fabulous cars then you know how fun it is to drive And you probably know that your MINI is packed with some of BMW s latest automotive technology But if you want to maintain and repair your car yourself or just want to understand what s going on under the bonnet you ll be wanting the MINI Cooper Cooper S 2002 2004 Service Manual by Bentley Publishers This is the only comprehensive single source of service information and specifications available for MINI models from 2002 2004 The aim throughout this manual has been simplicity clarity and completeness achieved through practical explanations step by step procedures and accurate specifications Whether you re a professional technician or a do it yourself MINI owner this manual will help you understand care for and repair your car Bentley Publishers new MINI service and repair manual is based on factory information but is heavily supplemented by hands on experience and illustrations The service manual editorial team has disassembled and photographed several MINI models for this project in the Bentley Service Information Research Center

[Jaguar XJS](#) Paul Skilleter,2005-03-04 A renowned Jaguar expert offers a comprehensive historical review of the highly collectable XJS series of coupes cabriolets and convertibles with particular emphasis on quality evaluation maintenance and upgrades Jaguar XJS takes the reader through the 20 year history of a model series which after a lukewarm reception in 1975 by Jaguar enthusiasts who expected a replacement for the famed E Type matured through many evolutions into some of the most stylish cars ever to wear the Jaguar badge earning along the way an enviable reputation on the international motor racing scene

OBD-II & Electronic Engine Management Systems Bob Henderson,John Haynes,2006-11-01 This manual takes the mystery out of Second Generation On Board Diagnostic Systems allowing you to understand your vehicles OBD II sytem plus what to do when the Check Engine light comes on from reading the code to diagnosing and fixing the

problem Includes a comprehensive list of computer codes Computer controlled car repair made easy For all car and light truck models manufactured since 1996 Understand your vehicle s On Board Diagnostic system How to deal with that Check Engine light from reading the code to diagnosing and fixing the problem Comprehensive computer codes list Diagnostic tools Powertrain management fundamentals OBD II monitors explained Generic trouble codes that cover all models Manufacturer specific trouble codes for GM Ford Chrysler Toyota Lexus and Honda Acura vehicles Let your car s computer help you find the problem Component replacement procedures Glossary and acronym list Fully illustrated with over 250 photographs and drawings

il grande libro della cucina per tutti i giorni ediz illustrata - Dec 06 2022

web alain ducasse il grande libro della cucina naturale copertina rigida 3 novembre 2021 di alain ducasse autore silvia rogai traduttore 4 2 14 voti visualizza tutti i formati ed

il grande libro della cucina per tutti i giorni e pdf uniport edu - Nov 24 2021

web acquista online il libro il grande libro della cucina vegetale ricette sane e sostenibili ediz illustrata di in offerta a prezzi imbattibili su mondadori store cerca per autore

il grande libro della cucina per tutti i giorni ediz illustrata - Jul 13 2023

web una guida illustrata da numerose fotografie a colori che insegna ad usare gli strumenti del mestiere e ad organizzare al meglio la dispensa i tagli delle carni la frollatura la

gli 11 migliori libri di cucina da avere assolutamente - Mar 09 2023

web il grande libro della cucina per tutti i giorni ediz illustrata è un libro pubblicato da demetra nella collana grandi libri con argomento culinaria conserve alimentari

i 21 migliori libri di cucina da avere in dispensa cookist - Sep 03 2022

web may 9 2023 il grande libro della cucina naturale ducasse alain rogai silvia traduttore 2021 480 cucina naturale vita green per tutta la famiglia ricette per tutti

il grande libro della cucina per tutti i giorni e giuliana - Dec 26 2021

web mar 20 2023 il grande libro della cucina per tutti i giorni e 2 8 downloaded from uniport edu ng on march 20 2023 by guest spende molto più del dovuto solo per

il grande libro del pesce nuovi modi per cucinarlo mangiarlo e - Jan 27 2022

web aug 24 2023 computer il grande libro della cucina per tutti i giorni e is to hand in our digital library an online right of entry to it is set as public thus you can download it

amazon it libri cucina - Nov 05 2022

web le stagioni in tavola raccontate attraverso i prodotti della terra è una guida scritta da uno chef stellato dedicata alla cucina italiana contemporanea e agli ingredienti che sono

il grande libro della cucina per tutti i giorni e pdf uniport edu - Mar 29 2022

web scopri il grande libro del pesce nuovi modi per cucinarlo mangiarlo e pensarlo di niland josh spedizione gratuita per i clienti prime e per ordini a partire da 29 spediti da amazon

il grande libro della cucina per tutti i giorni google books - Apr 10 2023

web acquista il grande libro della cucina per tutti i giorni ediz illustrata su libreria universitaria spedizione gratuita sopra i 25 euro su libreria universitaria

il grande libro della cucina per tutti i giorni ediz illustrata - Aug 14 2023

web il grande libro della cucina per tutti i giorni ediz illustrata è un libro pubblicato da demetra nella collana grandi libri acquista su ibs a 14 16 ediz illustrata libro

libri di cucina i 10 migliori da avere in casa tra novità e grandi - May 31 2022

web apr 26 2023 sue tradizioni e ai sapori del suo cuore il grande libro del camino giuseppe m jonghi lavarini 1988 il grande libro della cucina per tutti i giorni 2007 il grande

il grande libro della cucina naturale copertina rigida amazon it - Oct 04 2022

web fatto in casa da benedetta è l'ultimo libro di benedetta rossi la instagram chef più famosa in italia con oltre 7 milioni di followers la cucina genuina e alla portata di tutti della

libri di cucina le migliori raccolte di ricette mondadori store - Aug 02 2022

web nov 24 2021 uno dei migliori libri di cucina è sicuramente quello di ottolenghi 130 nuove ricette che contengono tutti gli elementi creativi e i sapori per cui ottolenghi è

il grande libro della cucina per tutti i giorni ediz illustrata - Jan 07 2023

web 1 48 dei più di 100 000 risultati in libri cucina risultati scopri questi risultati più venduto in cucina con la friggitrice ad aria oltre 200 ricette facilissime fatto in casa da

il grande libro della cucina per tutti i giorni ediz illustrata - Feb 08 2023

web il grande libro della cucina per tutti i giorni ediz illustrata è un libro pubblicato da demetra nella collana grandi libri libracciò it

il grande libro della cucina per tutti i giorni e francesco - May 11 2023

web una guida illustrata da numerose fotografie a colori che insegna ad usare gli strumenti del mestiere e ad organizzare al meglio la dispensa i tagli delle carni la frollatura la

libro cucina pesce per tutti i giorni e per le grandi occasioni - Apr 29 2022

web il grande libro della cucina per tutti i giorni ediz illustrata by grandi libri il grande libro della cucina per tutti i giorni ediz illustrata by grandi libri auguste escoffier il

il grande libro della cucina per tutti i giorni e copy uniport edu - Oct 24 2021

il grande libro della cucina per tutti i giorni ediz illustrata - Jun 12 2023

web del nostro paese il grande libro della cucina carlo spinelli 2020 09 04t00 00 00 02 00 una guida completa ai piatti più tipici della cucina internazionale una celebrazione

il grande libro della cucina per tutti i giorni ediz illustrata by - Feb 25 2022

web it is your completely own mature to fake reviewing habit among guides you could enjoy now is il grande libro della cucina per tutti i giorni e below il grande libro del rock e

i 10 migliori libri sulla cucina naturale notizie scientifiche it - Jul 01 2022

web pesce per tutti i giorni e per le grandi occasioni le ricette contenute all interno di questo libro si ispirano ai sapori semplici mediterranei accostamenti alla tradizione per

il grande libro della cucina vegetale ricette sane e sostenibili - Sep 22 2021

british army cap badges of the first world war soldiers of - Feb 07 2023

web this book illustrates for the first time in full colour and high quality images of the main types of badges used by the british army in world war i in addition contemporary illustrations of the soldiers themselves wearing the badges and the wider importance of their symbolism is also included

british army cap badges of the first world war shire - May 30 2022

web british army cap badges of the first world war for the british army the cap badge is the most easily identifiable form of insignia it represents a distillation of the pride of the regiment its various battle honours and symbols borne proudly on the metallic emblem that was worn on all head dress even within the trenches

free pdf download british army cap badges of the first world war shi - Apr 28 2022

web british army cap badges of the first world war shi collecting anodised cap badges jun 20 2022 anodised cap badges were first produced in 1 948 this guide provides an illustration and listing for over 400 badges used by the british forces a collector s guide to canadian army cap badges 1920 1952 jul 21 2022

british army cap badges of the first world war - Mar 08 2023

web description for the british army the cap badge is the most easily identifiable form of insignia it represents a distillation of the pride of the regiment its various battle honours and

category british army cap badges wikipedia - Jul 12 2023

web media in category british army cap badges the following 19 files are in this category out of 19 total army catering corps badge png 267 374 154 kb camus cap badge png 200 200 57 kb devons cap badge gif 220 232 42 kb east surrey regiment cap badge png 298 335 157 kb

british army cap badges of the first world war shi - Oct 15 2023

web british army cap badges of the first world war shi badges of the british army 1820 1960 may 20 2022 military badges of the australian colonies may 27 2020 head dress badges of the british army apr 18 2022 with the recent death of hugh king and the disposal of his collection by auction

british army cap badges of the first world war shi full pdf - Feb 24 2022

web british army cap badges of the first world war shi first and foremost english meaning cambridge dictionary aug 08 2022 web first and foremost idiom add to word list c1 more than anything else in spite of being elected to office she remains first and foremost a writer smart vocabulary related chatgpt use declined for the first time since

military uniform badges and portrait photographs imperial war - Jun 11 2023

web a voided gilt metal royal artillery headdress badge the badge is shaped the emblem which comprises a field gun with scroll above and below inscribed ubique and quo pas et gloria ducunt all surmounted by a crown the badge is complete with a slider on the reverse see object record who would have owned these badges and portraits

british army cap badges of the first world war - Sep 02 2022

web the first three chapters cover the british soldier and the various badges worn formation signs shoulder titles collar badge etc this history of badges worn by the british army and the construction of the badges themselves will be of interest to both seasoned collectors and beginners

british army cap badges of the first world war shi ebay - Jun 30 2022

web sep 13 2023 find many great new used options and get the best deals for british army cap badges of the first world war shi at the best online prices at ebay free shipping for many products

why do british soldiers wear cap badges and what do they - Mar 28 2022

web apr 20 2022 the first cap badges were worn by british soldiers in 1897 and conformed to a general style in 1898 the advent of khaki service dress brought with it a variety of peaked khaki caps which tended to be more practical comfortable and pleasing to the eye

british army cap badges of the first world war goodreads - Dec 05 2022

web jul 20 2010 this book illustrates for the first time in full color and high quality images of the main types of badges used by the british army in world war i in addition contemporary illustrations of the soldiers themselves wearing the badges and

the wider importance of their symbolism is also included

the wartime memories project the great war allied army - Oct 03 2022

web if you have a photo this page will help you to identify thier cap badge the wartime memories project the great world war two submissions add stories about advertisements world war 1 one ww1 wwii greatwar great 1914 1918 first battalion regiment british army thanks to the empire to commonwealth project for the use of

ebook british army cap badges of the first world war shi - Aug 01 2022

web british army cap badges of the first world war shi orders decorations medals and badges of the third reich feb 06 2021 affiliation cap badges of the south african defence force permanent force feb 18 2022 the records and badges of every regiment and corps in the british army 1900 apr 30 2020 badges of the empire s

british army cap badges of the first world war archive org - May 10 2023

web mar 23 2022 british army cap badges of the first world war by doyle peter 1960 publication date 2010 topics great britain army medals badges decorations etc catalogs great britain army insignia catalogs world war 1914 1918 equipment and supplies great britain publisher oxford shire collection

british army cap badges of the first world war shi 2023 - Aug 13 2023

web british army cap badges of the first world war shi military badge collecting aug 03 2022 an identification guide to british army cap badges from the calvary and royal armoured corps the guards women s units kitchener s army and others this book is a comprehensive guidebook which will appeal to anyone with an interest in medal

british army cap badges of the first world war 2023 - Apr 09 2023

web in their companion volume to british army cap badges of the first world war authors peter doyle and chris foster present an overview of the main cap badges worn by the british army during the second world war which continued the rich and varied tradition of british regimental insignia

british army cap badges of the first world war shi copy 2013 - Sep 14 2023

web british army cap badges of the first world war shi military badges of the british empire 1914 18 divisional and other signs badges of the regular infantry 1914 1918 collecting metal shoulder titles head dress badges of the british army cavalry and yeomanry badges of the british army 1914 discovering british military badges and

british army cap badges for world war 1 military archive - Jan 06 2023

web british army cap badges of the first world war by peter doyle and chris foster shire collections shirebooks co uk isbn 9780747807971 rrp gbp 14 99 one of the most tangible objects of an individual s service in the british army during world war 1 is their cap badge these badges denote the regiment or specialist arm in which the

britisharmycapbadgesofthefirstworldwarshi 2023 pivotid uvu - Nov 04 2022

web british army cap badges of the first world war peter doyle 2010 07 20 the fascination with the british involvement in the first world war extends to all aspects of the conflict the battles and their outcomes the armies and their leaders the conditions of trench warfare and the controversies form part of the growing literature examining

manias panics and crashes springer - Feb 09 2023

web manias panics and crashes a history of financial crises charles p kindleberger formerly ford professor of economics massachusetts institute of technology usa robert z aliber professor of international economics and finance university of chicago graduate school of business usa seventh edition pages cm

manias panics and crashes a history of financial crises - Aug 15 2023

web the best selling sixth edition was published in 2011 and since then the post crash recovery and sovereign debt crisis in europe economic crashes continue to create international headlines and debates this seventh edition succeeds in bringing accounts up to date with most recent financial developments

manias panics and crashes a history of financial crises wiley - May 12 2023

web oct 4 2005 manias panics and crashes a history of financial crises 35 33 5 in stock manias panics and crashes fifth edition is an engaging and entertaining account of the way that mismanagement of money and credit has led to

manias panics and crashes a history of financial crises - Dec 07 2022

web mar 22 2023 since 1978 manias panics and crashes has tracked various financial crises through time from tulipmania in the 17 th century to the more recent global financial crisis the book a hallmark of kindleberger s legacy as an esteemed economist is the best known and most widely regarded resource for understanding financial crises

manias panics and crashes a history of financial crises - Jan 08 2023

web dec 4 2000 manias panics and crashes a history of financial crises financial crises and speculative excess can be traced back to the very beginning of trade and commerce since its introduction in

manias panics and crashes a history of financial crises sixth - Oct 05 2022

web aug 9 2011 manias panics and crashes a history of financial crises sixth edition aliber robert z kindleberger charles p 9780230365353 amazon com books books

manias panics and crashes a history of financial crises - Aug 03 2022

web manias panics and crashes a history of financial crises manias panics and crashes is a vivid and entertaining account of the way that mismanagement of money and credit has led to financial explosions over the centuries

manias panics and crashes a history of financial crises - Feb 26 2022

web manias panics and crashes a history of financial crises by kindleberger charles poor 1910 publication date 1978 topics business cycles depressions financial crises publisher new york basic books

[manias panics and crashes a history of financial crises wiley](#) - Jun 01 2022

web manias panics and crashes a history of financial crises wiley investment classics amazon com tr kitap

download book manias panics and crashes a history of financial - Dec 27 2021

web financial crises and speculative excess can be traced back to the very beginning of trade and commerce since its introduction in 1978 this book has charted and followed this volatile world of financial markets charles kindleberger s brilliant panoramic history revealed how financial crises follow a nature like rhythm they peak and purge

manias panics and crashes a history of financial crises - Jun 13 2023

web mar 6 2023 in the eighth edition of this classic text on the financial history of bubbles and crashes robert mccauley joins with robert aliber in building on charles kindleberger s renowned work mccauley draws on his central banking experience to introduce new chapters on cryptocurrency and the united states as the 21st century

manias panics and crashes a history of financial crises - Jul 14 2023

web manias panics and crashes is a scholarly and entertaining account of the way that mismanagement of money and credit has led to financial explosions over the centuries covering such topics as the history and anatomy of crises speculative manias and the lender of last resort this book has been hailed as a true classic both timely and

manias panics and crashes a history of financial crises - Jul 02 2022

web dec 1 1979 patrick minford manias panics and crashes a history of financial crises the economic journal volume 89 issue 356 1 december 1979 pages 947 948

[manias panics and crashes a history of financial crises](#) - Mar 30 2022

web mar 7 2023 manias panics and crashes a history of financial crises eighth edition aliber robert z kindleberger charles p mccauley robert n on amazon com free shipping on qualifying offers manias panics and

[manias panics and crashes a history of financial crises](#) - Jan 28 2022

web dec 4 2000 since its introduction in 1978 this book has charted and followed this volatile world of financial markets charles kindleberger s brilliant panoramic history revealed how financial crises follow a nature like rhythm they peak and purge swell and storm

manias panics and crashes a history of financial crises - Apr 11 2023

web manias panics and crashes was first published in 1978 and dealt with financial crises that were for the most part before world war ii black monday of october 1987 along with more research especially on the years from 1880 to 1893 indicated a need for a second look

[manias panics and crashes a history of financial crises wiley](#) - Sep 04 2022

web jan 16 2001 manias panics and crashes a history of financial crises 17 86 2 in stock the best known and most highly

regarded book on financial crises financial crises and speculative excess can be traced back to the very beginning of trade and commerce

manias panics and crashes a history of financial crises - Mar 10 2023

web jan 1 2015 jan 2015 manias panics and crashes pp 5 37 robert z aliber charles p kindleberger the years since the early 1970s are unprecedented in terms of the large changes in the day to day and

manias panics and crashes grasping reality on typepad by - Apr 30 2022

web manias panics and crashes a history of financial crises fifth edition charles p kindleberger and robert z aliber john wiley sons inc iii 1 financial crisis a hardy perennial 1 2 anatomy of a typical crisis 24 3 speculative manias 38 4 fueling the flames the expansion of credit 64

manias panics and crashes a history of financial crises - Nov 06 2022

web buy manias panics and crashes a history of financial crises 8th ed 2023 by aliber robert z kindleberger charles p mccauley robert n isbn 9783031160073 from amazon s book store everyday low prices and free delivery on eligible orders

Delve into the emotional tapestry woven by Emotional Journey with in Dive into the Emotion of **Buick Lesabre 2002 Manual System Diagnostic Module** . This ebook, available for download in a PDF format (PDF Size: *), is more than just words on a page; itis a journey of connection and profound emotion. Immerse yourself in narratives that tug at your heartstrings. Download now to experience the pulse of each page and let your emotions run wild.

https://offsite.creighton.edu/files/virtual-library/Documents/operation_iraqi_freedom_map.pdf

https://offsite.creighton.edu/files/virtual-library/Documents/one_on_one_meeting_agenda_template_free.pdf

https://offsite.creighton.edu/files/virtual-library/Documents/only_mine_book.pdf

Table of Contents Buick Lesabre 2002 Manual System Diagnostic Module

1. Understanding the eBook Buick Lesabre 2002 Manual System Diagnostic Module
 - The Rise of Digital Reading Buick Lesabre 2002 Manual System Diagnostic Module
 - Advantages of eBooks Over Traditional Books
2. Identifying Buick Lesabre 2002 Manual System Diagnostic Module
 - Exploring Different Genres
 - Considering Fiction vs. Non-Fiction
 - Determining Your Reading Goals
3. Choosing the Right eBook Platform
 - Popular eBook Platforms
 - Features to Look for in an Buick Lesabre 2002 Manual System Diagnostic Module
 - User-Friendly Interface
4. Exploring eBook Recommendations from Buick Lesabre 2002 Manual System Diagnostic Module
 - Personalized Recommendations

- Buick Lesabre 2002 Manual System Diagnostic Module User Reviews and Ratings
- Buick Lesabre 2002 Manual System Diagnostic Module and Bestseller Lists
- 5. Accessing Buick Lesabre 2002 Manual System Diagnostic Module Free and Paid eBooks
 - Buick Lesabre 2002 Manual System Diagnostic Module Public Domain eBooks
 - Buick Lesabre 2002 Manual System Diagnostic Module eBook Subscription Services
 - Buick Lesabre 2002 Manual System Diagnostic Module Budget-Friendly Options
- 6. Navigating Buick Lesabre 2002 Manual System Diagnostic Module eBook Formats
 - ePub, PDF, MOBI, and More
 - Buick Lesabre 2002 Manual System Diagnostic Module Compatibility with Devices
 - Buick Lesabre 2002 Manual System Diagnostic Module Enhanced eBook Features
- 7. Enhancing Your Reading Experience
 - Adjustable Fonts and Text Sizes of Buick Lesabre 2002 Manual System Diagnostic Module
 - Highlighting and Note-Taking Buick Lesabre 2002 Manual System Diagnostic Module
 - Interactive Elements Buick Lesabre 2002 Manual System Diagnostic Module
- 8. Staying Engaged with Buick Lesabre 2002 Manual System Diagnostic Module
 - Joining Online Reading Communities
 - Participating in Virtual Book Clubs
 - Following Authors and Publishers Buick Lesabre 2002 Manual System Diagnostic Module
- 9. Balancing eBooks and Physical Books Buick Lesabre 2002 Manual System Diagnostic Module
 - Benefits of a Digital Library
 - Creating a Diverse Reading Collection Buick Lesabre 2002 Manual System Diagnostic Module
- 10. Overcoming Reading Challenges
 - Dealing with Digital Eye Strain
 - Minimizing Distractions
 - Managing Screen Time
- 11. Cultivating a Reading Routine Buick Lesabre 2002 Manual System Diagnostic Module
 - Setting Reading Goals Buick Lesabre 2002 Manual System Diagnostic Module
 - Carving Out Dedicated Reading Time
- 12. Sourcing Reliable Information of Buick Lesabre 2002 Manual System Diagnostic Module
 - Fact-Checking eBook Content of Buick Lesabre 2002 Manual System Diagnostic Module

- Distinguishing Credible Sources
- 13. Promoting Lifelong Learning
 - Utilizing eBooks for Skill Development
 - Exploring Educational eBooks
- 14. Embracing eBook Trends
 - Integration of Multimedia Elements
 - Interactive and Gamified eBooks

Buick Lesabre 2002 Manual System Diagnostic Module Introduction

Free PDF Books and Manuals for Download: Unlocking Knowledge at Your Fingertips In today's fast-paced digital age, obtaining valuable knowledge has become easier than ever. Thanks to the internet, a vast array of books and manuals are now available for free download in PDF format. Whether you are a student, professional, or simply an avid reader, this treasure trove of downloadable resources offers a wealth of information, conveniently accessible anytime, anywhere. The advent of online libraries and platforms dedicated to sharing knowledge has revolutionized the way we consume information. No longer confined to physical libraries or bookstores, readers can now access an extensive collection of digital books and manuals with just a few clicks. These resources, available in PDF, Microsoft Word, and PowerPoint formats, cater to a wide range of interests, including literature, technology, science, history, and much more. One notable platform where you can explore and download free Buick Lesabre 2002 Manual System Diagnostic Module PDF books and manuals is the internet's largest free library. Hosted online, this catalog compiles a vast assortment of documents, making it a veritable goldmine of knowledge. With its easy-to-use website interface and customizable PDF generator, this platform offers a user-friendly experience, allowing individuals to effortlessly navigate and access the information they seek. The availability of free PDF books and manuals on this platform demonstrates its commitment to democratizing education and empowering individuals with the tools needed to succeed in their chosen fields. It allows anyone, regardless of their background or financial limitations, to expand their horizons and gain insights from experts in various disciplines. One of the most significant advantages of downloading PDF books and manuals lies in their portability. Unlike physical copies, digital books can be stored and carried on a single device, such as a tablet or smartphone, saving valuable space and weight. This convenience makes it possible for readers to have their entire library at their fingertips, whether they are commuting, traveling, or simply enjoying a lazy afternoon at home. Additionally, digital files are easily searchable, enabling readers to locate specific information within seconds. With a few keystrokes, users can search for keywords, topics, or phrases, making research and finding relevant information a breeze. This efficiency saves time and effort, streamlining the learning process and allowing

individuals to focus on extracting the information they need. Furthermore, the availability of free PDF books and manuals fosters a culture of continuous learning. By removing financial barriers, more people can access educational resources and pursue lifelong learning, contributing to personal growth and professional development. This democratization of knowledge promotes intellectual curiosity and empowers individuals to become lifelong learners, promoting progress and innovation in various fields. It is worth noting that while accessing free Buick Lesabre 2002 Manual System Diagnostic Module PDF books and manuals is convenient and cost-effective, it is vital to respect copyright laws and intellectual property rights. Platforms offering free downloads often operate within legal boundaries, ensuring that the materials they provide are either in the public domain or authorized for distribution. By adhering to copyright laws, users can enjoy the benefits of free access to knowledge while supporting the authors and publishers who make these resources available. In conclusion, the availability of Buick Lesabre 2002 Manual System Diagnostic Module free PDF books and manuals for download has revolutionized the way we access and consume knowledge. With just a few clicks, individuals can explore a vast collection of resources across different disciplines, all free of charge. This accessibility empowers individuals to become lifelong learners, contributing to personal growth, professional development, and the advancement of society as a whole. So why not unlock a world of knowledge today? Start exploring the vast sea of free PDF books and manuals waiting to be discovered right at your fingertips.

FAQs About Buick Lesabre 2002 Manual System Diagnostic Module Books

1. Where can I buy Buick Lesabre 2002 Manual System Diagnostic Module books? Bookstores: Physical bookstores like Barnes & Noble, Waterstones, and independent local stores. Online Retailers: Amazon, Book Depository, and various online bookstores offer a wide range of books in physical and digital formats.
2. What are the different book formats available? Hardcover: Sturdy and durable, usually more expensive. Paperback: Cheaper, lighter, and more portable than hardcovers. E-books: Digital books available for e-readers like Kindle or software like Apple Books, Kindle, and Google Play Books.
3. How do I choose a Buick Lesabre 2002 Manual System Diagnostic Module book to read? Genres: Consider the genre you enjoy (fiction, non-fiction, mystery, sci-fi, etc.). Recommendations: Ask friends, join book clubs, or explore online reviews and recommendations. Author: If you like a particular author, you might enjoy more of their work.
4. How do I take care of Buick Lesabre 2002 Manual System Diagnostic Module books? Storage: Keep them away from direct sunlight and in a dry environment. Handling: Avoid folding pages, use bookmarks, and handle them with clean

- hands. Cleaning: Gently dust the covers and pages occasionally.
5. Can I borrow books without buying them? Public Libraries: Local libraries offer a wide range of books for borrowing. Book Swaps: Community book exchanges or online platforms where people exchange books.
 6. How can I track my reading progress or manage my book collection? Book Tracking Apps: Goodreads, LibraryThing, and Book Catalogue are popular apps for tracking your reading progress and managing book collections. Spreadsheets: You can create your own spreadsheet to track books read, ratings, and other details.
 7. What are Buick Lesabre 2002 Manual System Diagnostic Module audiobooks, and where can I find them? Audiobooks: Audio recordings of books, perfect for listening while commuting or multitasking. Platforms: Audible, LibriVox, and Google Play Books offer a wide selection of audiobooks.
 8. How do I support authors or the book industry? Buy Books: Purchase books from authors or independent bookstores. Reviews: Leave reviews on platforms like Goodreads or Amazon. Promotion: Share your favorite books on social media or recommend them to friends.
 9. Are there book clubs or reading communities I can join? Local Clubs: Check for local book clubs in libraries or community centers. Online Communities: Platforms like Goodreads have virtual book clubs and discussion groups.
 10. Can I read Buick Lesabre 2002 Manual System Diagnostic Module books for free? Public Domain Books: Many classic books are available for free as they're in the public domain. Free E-books: Some websites offer free e-books legally, like Project Gutenberg or Open Library.

Find Buick Lesabre 2002 Manual System Diagnostic Module :

[operation iraqi freedom map](#)

[one on one meeting agenda template free](#)

[only mine book](#)

[online bank deposit slip](#)

[outline bible study lessons](#)

[open source labview](#)

[origins of the cold war arthur schlesinger jr](#)

[oklahoma state board of cosmetology rules and regulations](#)

[online japanese workbook](#)

[old timey hymns](#)

orthodox jewish pregnancy customs

on liberty by john stuart mill pdf

operation redwing location

osha inspection checklist 2022

ope meaning text

Buick Lesabre 2002 Manual System Diagnostic Module :