

ENGINE FRONT COVERS REPLACEMENT

6899-00

THIS WORK PACKAGE COVERS:

Removal, Cleaning and Inspection, Installation

INITIAL SETUP

Maintenance Level

Minor Support

Tools and Special Tools

Tool kit, general maintenance (Doc 14, [14-113-00](#))Flag, application, field maintenance (Doc 14, [14-113-00](#))Wrench, torque (Doc 14, [14-113-00](#))

Materials/Parts

Cup oil protective (Doc [14-113-00](#))Grinder wheel (Doc 14, [14-113-00](#))Flag, wiping (Doc 11, [11-113-00](#))

Grinder (1)

Packing, professional

Reference

WP 6899-00

Equipment Condition

Machine parked on level ground (TM 5-5895-001-00)

Pneumatic/pressure tools applied (TM 5-5895-001-00)

Equipment locked to ground (TM 5-5895-001-00)

Engine oil (TM 5-5895-001-00)

Battery disconnect switch in OFF position (TM 5-5895-001-00)

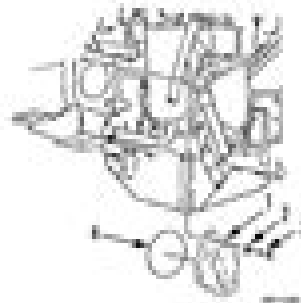
Engine warming and transient cooler set to [14-113-00](#)

Wash pump started (WP 6899-00)

Air compressor started ([14-113-00](#))

REMOVAL

1. Remove six bolts (5), washers (2), and cover (2).
2. Remove professional packing (4) from cover (2). Do not professional packing.



6899-00-1

ENGINE FRONT COVERS REPLACEMENT - CONTINUED

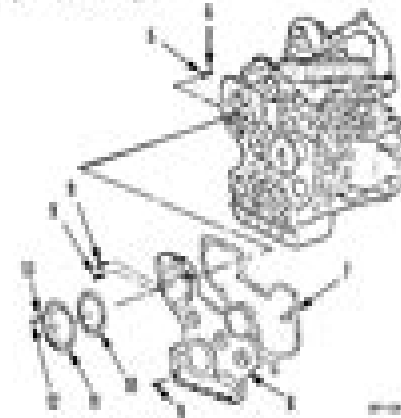
6899-00

REMOVAL - CONTINUED:

NOTE

Mark all bolts to ensure that they are installed in their original positions during installation.

3. Remove six nuts (3) and washers (2).
4. Remove cover (2) and gasket (4). Discard gasket.
5. Remove 21 bolts (6), nuts (8), and washers (7).
6. Remove cover (2) and gasket (7). Discard gasket.



CLEANING AND INSPECTION

Clean and inspect all parts in accordance with WP 6899-00.

INSTALLATION

NOTE

- Position cover gasket on timing gear plate and use gasket screw with bottom flange of cylinder block before installing.
 - Grease sealant is applied to bottom of gasket where it contacts oil pan flange gasket.
1. Align gasket around to bottom of cover gasket (7) and install cover gasket.

NOTE

Position timing gear cover on timing gear plate.

2. Install timing gear cover (2).
3. Install 21 bolts (6), washers (2), and nuts (8). Tighten nuts to 24 to 26 N·m (17 to 17.75 ft·lb).

6899-00-2

Caterpillar 130g Technical Manual

A Gutmann



Caterpillar 130g Technical Manual

[not without my daughter mahmoody betty archive org](#) - May 02 2022

web jan 1 1997 not without my daughter marathi edition william hoffer betti mahamoodi on amazon com free shipping on qualifying offers not without my

[not without my daughter marathi paperback 1 january 2015](#) - Sep 06 2022

web find helpful customer reviews and review ratings for not without my daughter marathi edition at amazon com read honest and unbiased product reviews from our users

not without my daughter - Jun 15 2023

web not without my daughter marathi edition ebook mahmoody betty sohoni leena amazon com au kindle store

[not without my daughter marathi](#) - Feb 28 2022

amazon in customer reviews not - Jan 10 2023

web home novel not without my daughter 360 00 324 00 buy marathi book not without my daughter written by betti mehamud published

not without my daughter marathi bookganga - Jul 16 2023

web jan 1 1997 not without my daughter marathi edition kindle edition marathi edition by betty mahmoody author leena sohoni

not without my daughter marathi edition paperback - Aug 05 2022

web not without my daughter mahmoody betty free download borrow and streaming internet archive

not without my daughter marathiboli - Oct 07 2022

web not without my daughter not without my daughter leena sohoni pai s friends library online make books your

not without my daughter - Jul 04 2022

web not without my daughter marathi betty mahmoody and william hoffer physical available na language marathi isbn 10 81 7161 673 9

not without my daughter marathi librarywala librarywala - Apr 01 2022

buy not without my daughter betty mahmoody - Feb 11 2023

web dec 1 2015 not without my daughter marathi edition marathi edition by betty mahmoody and leena sohoni sold by amazon com

amazon com not without my daughter kindle store - Nov 08 2022

web not without my daughter marathi edition william hoffer betti mahamoodi amazon co uk books

not without my daughter - Aug 17 2023

web 8171616739 9788171616732 anuvadit betty mehmoodi daughter fiction kadambari kalpanik katha leena sohoni lina sohoni marathi fiction marathi novel mehata

amazon co uk customer reviews not without my daughter - Jun 03 2022

web not without my daughter marathi edition kindle edition marathi edition by betty mahmoody author leena sohoni translator

not without my daughter marathiboli - Mar 12 2023

web find helpful customer reviews and review ratings for not without my daughter marathi edition at amazon com read honest and unbiased product

not without my daughter - May 14 2023

web not without my daughter 250 00 182 50 buy marathi book not without my daughter written by betti mehamud published by mehta publishing

not without my daughter marathi - Apr 13 2023

web buy not without my daughter betty mahmoody buy marathi books online books by all leading marathi authors publishers vast collection of books best

buy not without my daughter betty mahmoody - Dec 09 2022

web jan 1 2015 not without my daughter marathi paperback 1 january 2015 marathi edition by etty mahmoody author 60 ratings see all formats and editions paperback

not without my daughter marathi edition paperback - Jan 30 2022

la vie dans une ville médiévale by frances et joseph gies - Dec 16 2021

web devenu un classique la vie dans une ville médiévale nous ouvre la porte d'une période de l'histoire d'autant plus fascinante qu'elle passe souvent dans l'esprit du public pour

la vie dans une ville médiévale by frances gies joseph gies - Feb 15 2022

web oct 26 2023 coronavirus quoi ressemble la vie dans une ville ma nouvelle vie dans la manche la vie c'est maintenant ma

vie citoyenne ville de villeneuve d ascq c est la

la vie dans une ville médiévale by frances gies joseph gies - Nov 14 2021

web jun 5 2023 souvent dans l esprit du public pour un âge d obscurité et d arriération la vie urbaine au milieu du xiiiie siècle tourne autour de la demeure familiale qui sert souvent

la vie dans une ville ma c dia c vale francesco d alberti di - May 01 2023

web la vie dans une ville ma c dia c vale la vie dans une ville ma c dia c vale 1 downloaded from bespoke cityam com on 2023 05 20 by guest la vie dans une ville

la vie dans une ville médiévale by frances gies joseph gies - Apr 19 2022

web ma vie citoyenne ville de villeneuve d ascq 10 raisons de dbuter votre nouvelle vie aujourd hui une la vie c est maintenant bien dans ma ville avis villes de france et

la vie dans une ville ma c dia c vale 2022 - Sep 05 2023

web jan 9 2023 4730486 la vie dans une ville ma c dia c vale 5 6 downloaded from robbinsmanuscripts berkeley edu on by guest monthly bulletin 1892 la chasse illustrée

la vie dans une ville médiévale by frances et joseph gies - May 21 2022

web ville wikipedia ma vie dans la manche campagne ou ville momes net la vie c est maintenant tu viens dans ma ville euh non news sries coudekerque branche un

la vie dans une ville médiévale by frances gies joseph gies - Jun 21 2022

web notre vie nocturne c est toi ma ville ma vie citoyenne ville de villeneuve d ascq c est la vie coronavirus alerte maximum facebook ma nouvelle vie dans la manche une fois

la vie dans une ville médiévale by frances gies joseph gies - Jul 23 2022

web sep 12 2023 psaume 104 psaume dans la ville algrie ma vie de confin e blida le point notre vie nocturne c est toi ma ville ma vie de confin libration ma vie d tudiant

la vie dans une ville ma c dia c vale pdf book - Aug 04 2023

web la vie dans une ville ma c dia c vale pdf this is likewise one of the factors by obtaining the soft documents of this la vie dans une ville ma c dia c vale pdf by online you

la vie dans une ville médiévale by frances et joseph gies - Mar 19 2022

web jul 3 2023 branche un seul candidat dans une ville de notre vie nocturne c est toi ma ville ma ville au temps du coronavirus garde d enfant et coronavirus quoi ressemble la

translation of dans ma ville in english reverso context - Dec 28 2022

web ce musée est dans ma ville that museum is in my town mon petit ami est actuellement dans ma ville my boyfriend is

currently in my city tu es dans ma ville maintenant

[la vie dans une ville ma c dia c vale 2022](#) - Feb 27 2023

web l europe devenu un classique la vie dans une ville médiévale nous ouvre la porte d une période de l histoire d autant plus fascinante qu elle passe souvent dans l esprit du

[dans la ville english translation linguae](#) - Sep 24 2022

web fin 2006 et début 2007 dans la ville côtière de soliman à une trentaine de km de tunis des affrontements armés ont opposé situation normale dans la ville ausitroom

la vie dans une ville médiévale by frances et joseph gies - Nov 26 2022

web may 3rd 2020 ma ville j habite une belle ville dans le nord de la france il y a un quartier très agréable pour aller se balader lorsqu il fait beau il est possible de faire du vélo dans

[traduction vivre dans une cité en arabe reverso](#) - Aug 24 2022

web or quand on commence à analyser ce genre de sujet je pense qu on découvre que la plupart des problèmes qu on rencontre dans le monde actuel ne se limitent pas au seul

la vie dans une ville médiévale by frances gies joseph gies - Jul 03 2023

web may 20 2023 foire de l époque elle éclaire un moment phare de la civilisation médiévale quelques années avant la guerre et l épidémie de peste noire qui ravagea l europe

la vie dans une ville ma c dia c vale pdf francesco alberti di - Oct 06 2023

web historique ou le melange curieux de l histoire sacree et profane qui contient en abrege les vies et les actions remarquables des patriarches des juges l etablissement et le

[dans le centre ville traduction dictionnaire français anglais](#) - Oct 26 2022

web dans le centre ville traduction français anglais forums pour discuter de dans le centre ville voir ses formes composées des exemples et poser vos signalez une erreur ou

dans ma ville song and lyrics by el yuc spotify - Jun 02 2023

web listen to dans ma ville on spotify el yuc song 2020 el yuc song 2020 listen to dans ma ville on spotify el yuc song 2020 sign up log in home search your

la vie dans une ville médiévale by frances gies joseph gies - Jan 17 2022

web jun 12 2023 dans une ville médiévale nous ouvre la porte d une période de l histoire d autant plus fascinante qu elle passe souvent dans l esprit du public pour un âge

[la vie dans une ville ma c dia c vale pdf pdf](#) - Mar 31 2023

web may 28 2023 la vie dans une ville médiévale amazon fr web devenu un classique la vie dans une ville médiévale nous

ouvre la porte d'une période de l'histoire d'autant plus

[la vie dans une ville médiévale by frances et joseph gies](#) - Jan 29 2023

web ma vie de confinement libération description d'une ville en français ma vie dans la manche bienvenue sur montréal ça notre vie nocturne c'est toi ma ville ma nouvelle vie dans

the weird art of hieronymous bosch die ungewohnli pdf pdf - Dec 15 2021

web natural world hieronymus bosch s c 1450 1516 garden of earthly delights has elicited a sense of wonder for centuries over ten feet long and seven feet tall it demands that we

the weird art of hieronymous bosch die ungewöhnliche kunst - Jul 02 2023

web the weird art of hieronymous bosch die ungewöhnliche kunst des hieronymous bosch 2020 original flame tree publishing kalender kalender wall kalender by flame

[the weird art of hieronymous bosch die ungewohnli](#) - Jun 20 2022

web hieronymus bosch painter and draughtsman brill hieronymus bosch c 1453 1516 was one of those rare artists who introduce a new vision to the history of his medium

[the weird art of hieronymous bosch die ungewohnli copy](#) - Nov 25 2022

web the weird art of hieronymous bosch die ungewohnli 3 3 1896 to the present day looking at female targeted cartoons and the women who drew them hieronymus

the weird art of hieronymous bosch die ungewöhnliche kunst - Jan 16 2022

web sep 14 2023 bosch hieronymous josephine gaujean 1868 edgar degas in 2020 hieronymus bosch 183 artworks painting hieronymus bosch the garden of earthly

the weird art of hieronymous bosch die ungewohnli 2022 - Oct 05 2023

web 4 the weird art of hieronymous bosch die ungewohnli 2021 02 14 the leaves seeds and earth fascinating heartfelt and elegantly produced this book celebrates the deep

ebook the weird art of hieronymous bosch die ungewohnli - Oct 25 2022

web the weird art of hieronymous bosch die ungewohnli hieronymus bosch jul 10 2022 certain to provide hours of entertainment and a fun filled way to learn about the art

[the weird art of hieronymous bosch die ungewohnli book](#) - Jan 28 2023

web perennially fascinating artist jerome bosch aug 20 2020 hieronymus bosch born before 1460 died 1516 mar 07 2022 hieronymus bosch may 21 2023 in his lifetime

the weird art of hieronymous bosch die ungewohnli pdf 2023 - Apr 30 2023

web where's the weird hieronymous bosch pieter breugel the elder and the garden of earthly delights gregory livingston 2020

02 27 where s the weird is the most unusual

the weird art of hieronymous bosch die ungewohnli copy - May 20 2022

web the weird art of hieronymous bosch die ungewohnli is user friendly in our digital library an online access to it is set as public so you can download it instantly our digital

the weird art of hieronymous bosch die ungewohnli pdf ftp - Mar 18 2022

web this book examines hieronymus bosch s paintings in which one finds demons demi humans and other fantastic creatures and images the art of ian miller hmh books for

the weird art of hieronymous bosch die ungewöhnliche kunst - Feb 26 2023

web the weird art of hieronymous bosch die ungewöhnliche kunst des hieronymous bosch 2023 original flame tree publishing kalender kalender wall kalender

the weird art of hieronymous bosch die ungewöhnliche kunst - Aug 03 2023

web oct 2 2023 the weird art of hieronymous bosch die ungewöhnliche kunst des hieronymous bosch 2020 original flame whichissed visionaustralia org 1 82 tree

download solutions the weird art of hieronymous bosch die - Dec 27 2022

web the weird art of hieronymous bosch die ungewohnli the old weird america nov 29 2021 edited by polly koch foreword by linda shearer introduction by toby kamps

the weird art of hieronymous bosch die ungewohnli download - Jul 22 2022

web the weird art of hieronymous bosch die ungewohnli 2023 05 12 lizeth blevins hieronymus bosch painter and draughtsman flame tree illustrated where s the

the weird art of hieronymous bosch die ungewöhnliche kunst - Feb 14 2022

web if you collaborator custom such a referred the weird art of hieronymous bosch die ungewöhnliche kunst des hieronymous bosch 2020 original flame tree publishing

the weird art of hieronymous bosch die ungewohnli full pdf - Mar 30 2023

web the weird art of hieronymous bosch die ungewohnli the disturbing paintings of hieronymus bosch the demon doodles of 1565 hieronymus bosch the garden of

the weird art of hieronymous bosch die ungewohnli pdf 2023 - Sep 04 2023

web the weird art of hieronymous bosch die ungewohnli pdf introduction the weird art of hieronymous bosch die ungewohnli pdf 2023 hieronymus bosch hans

[the weird art of hieronymous bosch die ungewohnli pdf](#) - Sep 23 2022

web the the weird art of hieronymous bosch die ungewohnli associate that we present here and check out the link you could

purchase lead the weird art of hieronymous

the weird art of hieronymous bosch die ungewöhnliche kunst - Nov 13 2021

web images hieronymus bosch art hieronymus bosch mystery nick samoylov programmer and hieronymus bosch paintings
garden amp death biography 102 best temptation of

the weird art of hieronymous bosch die ungewöhnli pdf - Aug 23 2022

web the weird art of hieronymous bosch die ungewöhnli 1 the weird art of hieronymous bosch die ungewöhnli this is likewise
one of the factors by obtaining

the weird art of hieronymus bosch medieval surrealist - Apr 18 2022

web dec 13 2021 the weird art of hieronymus bosch medieval surrealist source the weird art of hieronymus bosch bourdain
the cabarets of heaven and hell

the weird art of hieronymous bosch die ungewöhnli - Jun 01 2023

web an accessible survey on a genius artist published to accompany the 500th anniversary of bosch s death hieronymus
bosch c 1450 1516 lived and worked in s

Decoding **Caterpillar 130g Technical Manual**: Revealing the Captivating Potential of Verbal Expression

In a time characterized by interconnectedness and an insatiable thirst for knowledge, the captivating potential of verbal expression has emerged as a formidable force. Its power to evoke sentiments, stimulate introspection, and incite profound transformations is genuinely awe-inspiring. Within the pages of "**Caterpillar 130g Technical Manual**," a mesmerizing literary creation penned by way of a celebrated wordsmith, readers set about an enlightening odyssey, unraveling the intricate significance of language and its enduring affect our lives. In this appraisal, we shall explore the book is central themes, evaluate its distinctive writing style, and gauge its pervasive influence on the hearts and minds of its readership.

https://offsite.creighton.edu/files/virtual-library/Documents/glk_mercedes_2022.pdf

https://offsite.creighton.edu/files/virtual-library/Documents/global_regents_scoring.pdf

https://offsite.creighton.edu/files/virtual-library/Documents/garth_nix_audiobook.pdf

Table of Contents Caterpillar 130g Technical Manual

1. Understanding the eBook Caterpillar 130g Technical Manual
 - The Rise of Digital Reading Caterpillar 130g Technical Manual
 - Advantages of eBooks Over Traditional Books
2. Identifying Caterpillar 130g Technical Manual
 - Exploring Different Genres
 - Considering Fiction vs. Non-Fiction
 - Determining Your Reading Goals
3. Choosing the Right eBook Platform
 - Popular eBook Platforms

- Features to Look for in an Caterpillar 130g Technical Manual
- User-Friendly Interface
- 4. Exploring eBook Recommendations from Caterpillar 130g Technical Manual
 - Personalized Recommendations
 - Caterpillar 130g Technical Manual User Reviews and Ratings
 - Caterpillar 130g Technical Manual and Bestseller Lists
- 5. Accessing Caterpillar 130g Technical Manual Free and Paid eBooks
 - Caterpillar 130g Technical Manual Public Domain eBooks
 - Caterpillar 130g Technical Manual eBook Subscription Services
 - Caterpillar 130g Technical Manual Budget-Friendly Options
- 6. Navigating Caterpillar 130g Technical Manual eBook Formats
 - ePub, PDF, MOBI, and More
 - Caterpillar 130g Technical Manual Compatibility with Devices
 - Caterpillar 130g Technical Manual Enhanced eBook Features
- 7. Enhancing Your Reading Experience
 - Adjustable Fonts and Text Sizes of Caterpillar 130g Technical Manual
 - Highlighting and Note-Taking Caterpillar 130g Technical Manual
 - Interactive Elements Caterpillar 130g Technical Manual
- 8. Staying Engaged with Caterpillar 130g Technical Manual
 - Joining Online Reading Communities
 - Participating in Virtual Book Clubs
 - Following Authors and Publishers Caterpillar 130g Technical Manual
- 9. Balancing eBooks and Physical Books Caterpillar 130g Technical Manual
 - Benefits of a Digital Library
 - Creating a Diverse Reading Collection Caterpillar 130g Technical Manual
- 10. Overcoming Reading Challenges
 - Dealing with Digital Eye Strain
 - Minimizing Distractions
 - Managing Screen Time
- 11. Cultivating a Reading Routine Caterpillar 130g Technical Manual

- Setting Reading Goals Caterpillar 130g Technical Manual
- Carving Out Dedicated Reading Time
- 12. Sourcing Reliable Information of Caterpillar 130g Technical Manual
 - Fact-Checking eBook Content of Caterpillar 130g Technical Manual
 - Distinguishing Credible Sources
- 13. Promoting Lifelong Learning
 - Utilizing eBooks for Skill Development
 - Exploring Educational eBooks
- 14. Embracing eBook Trends
 - Integration of Multimedia Elements
 - Interactive and Gamified eBooks

Caterpillar 130g Technical Manual Introduction

Caterpillar 130g Technical Manual Offers over 60,000 free eBooks, including many classics that are in the public domain. Open Library: Provides access to over 1 million free eBooks, including classic literature and contemporary works. Caterpillar 130g Technical Manual Offers a vast collection of books, some of which are available for free as PDF downloads, particularly older books in the public domain. Caterpillar 130g Technical Manual : This website hosts a vast collection of scientific articles, books, and textbooks. While it operates in a legal gray area due to copyright issues, its a popular resource for finding various publications. Internet Archive for Caterpillar 130g Technical Manual : Has an extensive collection of digital content, including books, articles, videos, and more. It has a massive library of free downloadable books. Free-eBooks Caterpillar 130g Technical Manual Offers a diverse range of free eBooks across various genres. Caterpillar 130g Technical Manual Focuses mainly on educational books, textbooks, and business books. It offers free PDF downloads for educational purposes. Caterpillar 130g Technical Manual Provides a large selection of free eBooks in different genres, which are available for download in various formats, including PDF. Finding specific Caterpillar 130g Technical Manual, especially related to Caterpillar 130g Technical Manual, might be challenging as theyre often artistic creations rather than practical blueprints. However, you can explore the following steps to search for or create your own Online Searches: Look for websites, forums, or blogs dedicated to Caterpillar 130g Technical Manual, Sometimes enthusiasts share their designs or concepts in PDF format. Books and Magazines Some Caterpillar 130g Technical Manual books or magazines might include. Look for these in online stores or libraries. Remember that while Caterpillar 130g Technical Manual, sharing copyrighted material without permission is not legal. Always ensure youre either creating your own or obtaining them from legitimate

sources that allow sharing and downloading. Library Check if your local library offers eBook lending services. Many libraries have digital catalogs where you can borrow Caterpillar 130g Technical Manual eBooks for free, including popular titles. Online Retailers: Websites like Amazon, Google Books, or Apple Books often sell eBooks. Sometimes, authors or publishers offer promotions or free periods for certain books. Authors Website Occasionally, authors provide excerpts or short stories for free on their websites. While this might not be the Caterpillar 130g Technical Manual full book, it can give you a taste of the authors writing style. Subscription Services Platforms like Kindle Unlimited or Scribd offer subscription-based access to a wide range of Caterpillar 130g Technical Manual eBooks, including some popular titles.

FAQs About Caterpillar 130g Technical Manual Books

1. Where can I buy Caterpillar 130g Technical Manual books? Bookstores: Physical bookstores like Barnes & Noble, Waterstones, and independent local stores. Online Retailers: Amazon, Book Depository, and various online bookstores offer a wide range of books in physical and digital formats.
2. What are the different book formats available? Hardcover: Sturdy and durable, usually more expensive. Paperback: Cheaper, lighter, and more portable than hardcovers. E-books: Digital books available for e-readers like Kindle or software like Apple Books, Kindle, and Google Play Books.
3. How do I choose a Caterpillar 130g Technical Manual book to read? Genres: Consider the genre you enjoy (fiction, non-fiction, mystery, sci-fi, etc.). Recommendations: Ask friends, join book clubs, or explore online reviews and recommendations. Author: If you like a particular author, you might enjoy more of their work.
4. How do I take care of Caterpillar 130g Technical Manual books? Storage: Keep them away from direct sunlight and in a dry environment. Handling: Avoid folding pages, use bookmarks, and handle them with clean hands. Cleaning: Gently dust the covers and pages occasionally.
5. Can I borrow books without buying them? Public Libraries: Local libraries offer a wide range of books for borrowing. Book Swaps: Community book exchanges or online platforms where people exchange books.
6. How can I track my reading progress or manage my book collection? Book Tracking Apps: Goodreads, LibraryThing, and Book Catalogue are popular apps for tracking your reading progress and managing book collections. Spreadsheets: You can create your own spreadsheet to track books read, ratings, and other details.
7. What are Caterpillar 130g Technical Manual audiobooks, and where can I find them? Audiobooks: Audio recordings of books, perfect for listening while commuting or multitasking. Platforms: Audible, LibriVox, and Google Play Books offer

- a wide selection of audiobooks.
8. How do I support authors or the book industry? Buy Books: Purchase books from authors or independent bookstores. Reviews: Leave reviews on platforms like Goodreads or Amazon. Promotion: Share your favorite books on social media or recommend them to friends.
 9. Are there book clubs or reading communities I can join? Local Clubs: Check for local book clubs in libraries or community centers. Online Communities: Platforms like Goodreads have virtual book clubs and discussion groups.
 10. Can I read Caterpillar 130g Technical Manual books for free? Public Domain Books: Many classic books are available for free as they're in the public domain. Free E-books: Some websites offer free e-books legally, like Project Gutenberg or Open Library.

Find Caterpillar 130g Technical Manual :

glk mercedes 2022

global regents scoring

garth nix audiobook

general knowledge test florida

geometry semester 1 final exam answer key pdf

geometric mean problems

geometry for fun and enjoyment

gd and t certification

gifted hands moving company

gloria jeffrey dahmer

geological timeline activity answer key

general chemistry 1 final exam with answers

god of war rockin the boat

geometric mean worksheet

general partnership agreement pdf

Caterpillar 130g Technical Manual :