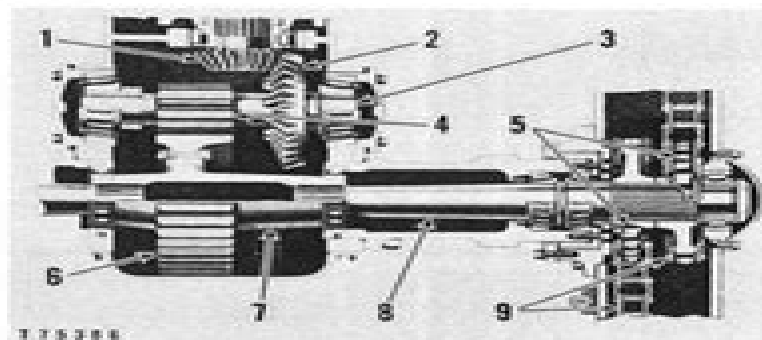


FINAL DRIVE AND TANDEM DRIVES

FINAL DRIVE

The final drive is located in the lower rear compartment of the one-piece housing which also contains the transmission and flywheel clutch.

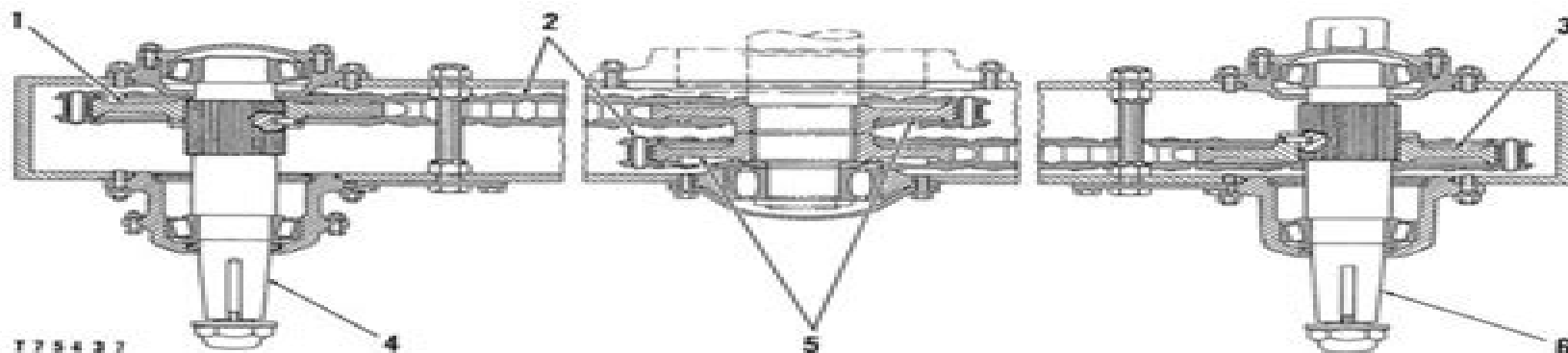
All components are splash lubricated; the axle bearings and sprockets receive their lubrication from the tandem drive housing, while the final drive, bevel gear, etc., are common with the transmission.



FINAL DRIVE, AXLES AND SPROCKETS

1—Bevel pinion, 2—Bevel gear, 3—Bevel gear shaft, 4—Final drive pinion, 5—Sprockets, 6—Final drive gear, 7—Final drive hub, 8—Axle, 9—Chains.

TANDEM DRIVES

TANDEM DRIVE—RIGHT SIDE
(Top View)

1—Driven sprocket, 2—Drive chains, 3—Driven sprocket, 4—Spindle, 5—Drive sprockets, 6—Spindle.

Power from the drive sprockets (5) on the axle is transmitted through the chains (2) to the driven sprockets (1) and (3). The driven sprockets are bolted to the spindles, (4) and (6), located at each end of the tandem drive housing. The wheels

are pressed onto the spindles and held with nuts and locks. All internal components including the bearings, sprockets, chains, as well as the axle bearings are splash lubricated by the lubricant in the tandem drive housing.

Caterpillar 112f Service Manual

Mike Jess



Caterpillar 112f Service Manual

little red hen activities pinterest - Oct 05 2022

web sep 19 2023 the little red hen learning activities crafts ideas printables and resources for young children in your preschool pre k or kindergarten classroom visit me at pre kpages com for more inspiration for early education see more ideas about little red hen little red hen activities red hen

the little red hen activities printables growing book by book - May 12 2023

web mar 12 2020 activity 1 the little red hen emergent reader enjoy a simple emergent reader printable of the little red hen just print cut and staple into a book for each child students can read their completed book and share with their families

activity 2 bake a sound work on beginning sounds with this bake a sound activity

20 fun little red hen activities for preschool - Mar 10 2023

web oct 11 2022 arts and crafts are always a big hit making an exercise of creating little red hens is a fun way to come back to the story you can do this with different kinds of cardboard paper outline basic shapes like circles triangles etc for the kids to

the little red hen activities and free printables - Jun 13 2023

web jun 2 2015 these are some really great activities to go with the little red hen this is one book we are going to focus on this summer as we learn about plants i think the children will really enjoy these printables

results for little red hen sequencing cut and paste tpt - Dec 07 2022

web created by sped specialties low prep series of three worksheets activities for each of 3 fairy tales fables little red hen jack the beanstalk the three little pigs worksheets include cut and paste sequencing a wordless emergent reader and a first then last writing worksheet

the little red hen crafts and lesson plan first school - Sep 04 2022

web activity 2 arts crafts story character crafts visit the animal character links to find crafts and activities felt board characters or easy hand puppets using coloring page images ages 2 choose easy to cut and color coloring images for the characters the little red hen coloring pages

14 little red hen activities for preschool fun a day - Jul 14 2023

web little red hen hand print art from fun handprint art let the children use their hands as the hen as they create their own art based on the book the little red hen retell center from kindergarten works put together a center based on retelling the book this would work well both at home and in the classroom

cut and paste for the little red hen making learning fun - Aug 15 2023

web fun learning printables for kids 100 day activities kwanzaa telling time turkey very hungry caterpillar wild west cut and paste for the little red hen print the pages of your choice have the children color the pages and cut the pieces out then have the children glue the pieces together hen page 1 page 2 page 3 duck page 1 page 2 page 3 page 4

results for the little red hen cut outs tpt - Nov 06 2022

web created by andrea mckinney have your students retell the story of the little red hen by using the pictures and sorting mat 4 or 8 pictures includes a cut glue page for students to extend their learning writing page farm to table

storybook the little red hen learning tasks and activities h n - Jun 01 2022

web in the story the little red hen they read about what happens to a hen a cat a dog and a duck as a follow up activity after reading the storybook let them put on animal head dresses and pretend that they are these animals the head dresses arouse children s interest in participating in the activities and also help them to

little red hen printables free free preschool printables - Apr 11 2023

web the little red hen cut and paste activity is perfect for retelling the story and working on fine motor and scissor skills little red hen crafts 3 dinosaurs tried a wheat stalk fork painting on construction paper

printable cut and paste activities for preschoolers free - Feb 09 2023

web little red hen cut and paste goes great with any version of the little red hen other fun activities free cut with paper make fringe cut random pieces precut strips of paper about an inch wide and draw vertical lines along the strip have your child cut the strip of paper into small pieces by cutting on the lines

results for cut paste sequencing with the little red hen - Aug 03 2022

web fairy tales kindergarten the little red hen activity pack includes build a book students color and read the story the little red hen fairy tale sequencing students cut and paste the order of events picture matching students cut and paste to finish the pictures story parts students cut and color the characters parts of the story story

the little red hen activities games and worksheets twinkl - Sep 16 2023

web the little red hen activities games and worksheets twinkl teach your ks1 class all about the story of the little red hen using our wonderful activities games and worksheets that will engage your children during their lessons

little red hen cut and paste activities download only qr bonide - Feb 26 2022

web little red hen cut and paste activities mañana iguana the little red hen the little red hen the little red hen the little red hen little red hen an old fable little red hen read it yourself with ladybird my little red hen read it yourself little red hen level 1 the selfish crocodile the little red hen an old english folk tale the little

little red hen activities for fall pre k pages - Apr 30 2022

web a bundle of 14 of my most popular fall resources including math and literacy small group activities make learning fun with these hands on resources 48 00 29 00 add to cart small world play fun a day this little red hen version encourages kiddos to retell the classic story and they can also make up their own versions

little red hen cut and paste activities - Jan 28 2022

web get those all we come up with the money for little red hen cut and paste activities and numerous book collections from fictions to scientific research in any way accompanied by them is this little red hen cut and paste activities that can be your partner polar bear polar bear what do you hear bill martin 2007 10 what will you hear when you

the little red hen themed cutting skills worksheet motor - Jan 08 2023

web curriculum design english maths subject leads leadership strategies and skills staff development and personnel employment and recruitment career progression ects developing people and cpd performance management updating your staff support staff the little red hen eyfs early years activities writing frames and aids little red

free the little red hen colouring colouring sheets twinkl - Mar 30 2022

web twinkl parents free activities crafts and recipes colouring whether you are teaching a lesson involving nursery rhymes or farm animals this little red hen colouring sheet is the perfect resource for setting a short engaging and enjoyable task for your class

the little red hen activities pinterest - Jul 02 2022

web oct 18 2015 explore learning 4 kids s board the little red hen activities followed by 60 300 people on pinterest see more ideas about little red hen little red hen activities red hen

le morte d arthur book 1 summary analysis litcharts - Aug 22 2022

web summary le morte d arthur book 1 summary analysis next book 2 themes and colors key summary analysis chapter 1 the narrator begins during the reign of king uther pendragon in england uther sends for the duke of cornwall who has been warring against uther and also for the duke s wife igraine

le morte d arthur penguin random house - Feb 13 2022

web about le morte d arthur from the incredible wizadry of merlin to the passion of gwynevere and sir lancelot these tales of king arthur and his knights of the round table offer epic adventures with the supernatural

le morte d arthur by sir thomas malory plot summary litcharts - Oct 24 2022

web le morte d arthur begins with the story of king arthur of camelot s birth king uther needs to find an heir to his throne and he has an eye on igraine the wife of the duke of cornwall when they come to visit the court together with the wizard merlin he hatches a plan to lay siege to the duke s court while igraine is at another castle

le morte d arthur wikipedia - Sep 03 2023

web le morte d arthur originally written as le morte darthur anglo norman french for the death of arthur 1 is a 15th century middle english prose reworking by sir thomas malory of tales about the legendary king arthur guinevere lancelet merlin and the knights of the round table along with their respective folklore

le morte darthur summary knights of the round table - Oct 04 2023

web sep 14 2023 le morte darthur the first english language prose version of the arthurian legend completed by sir thomas malory about 1470 and printed by william caxton in 1485 the only extant manuscript that predates caxton s edition is in the british library london it retells the adventures of the knights

le morte d arthur king arthur and the knights of the round table - Apr 17 2022

web this item le morte d arthur king arthur and the knights of the round table s 32 11 s 32 11 only 5 left in stock ships from and sold by amazon sg the adventures of sherlock holmes and other stories s 44 00 s 44 00 get it nov 2 8 usually dispatched within 3 to 4 days

le morte d arthur king arthur the knights of the round table - Feb 25 2023

web mar 15 2017 race point publishing mar 15 2017 fiction 640 pages sir thomas malory s original le morte d arthur remains the most exciting interpretation of the legend of king arthur and the

le morte d arthur book 3 summary analysis litcharts - Sep 22 2022

web summary analysis chapter 1 after some time as king arthur asks merlin for counsel since his barons are harassing him to choose a wife merlin asks if there is any woman he loves and arthur responds with guenever

le morte d arthur study guide literature guide litcharts - Jan 27 2023

web summary welcome to the litcharts study guide on sir thomas malory s le morte d arthur created by the original team behind sparknotes litcharts are the world s best literature guides le morte d arthur introduction a concise biography of sir thomas malory plus historical and literary context for le morte d arthur le morte d arthur plot summary

le morte d arthur encyclopedia com - Dec 26 2022

web a documentary on malory s tale of king arthur great books le morte d arthur legend of the king 1993 was produced by discovery communications and originally aired on the learning channel it is available on vhs the sword in the stone 1963 is an animated version of young arthur s training to become king

honor and chivalry theme in le morte d arthur litcharts - Nov 24 2022

web litcharts assigns a color and icon to each theme in le morte d arthur which you can use to track the themes throughout the work every year at the christian feast of pentecost the knights of the round table renew their oaths to follow the code of chivalry as proclaimed by king arthur

le morte d arthur sir thomas malory s book of king arthur and - Jun 19 2022

web le morte d arthur sir thomas malory s book of king arthur and of his noble knights of the round table the text of caxton edited with an introd by sir edward strachey by publication date 1897 publisher london macmillan collection robarts universityofottawa toronto contributor robarts university of toronto language french 26 addeddate

the knight with the two swords cliffsnotes - May 31 2023

web literature notes le morte d arthur the knight with the two swords book summary about le morte d arthur character list summary and analysis book 1 the tale of king arthur merlin book 2 arthur and king lucius book 5 sir tristram de lyones isode isolde the fair book 5 sir tristram de lyones lamerok of wales sir la cote male tale

king arthur character analysis in le morte d arthur litcharts - Mar 29 2023

web the son of uther and igraine and raised by sir ector arthur was always destined to pull an enchanted sword excalibur out of the stone and prove his worthiness to be king arthur becomes one of the kingdom s youngest kings though he quickly establishes himself in military prowess and conquers many lands

le morte d arthur king arthur and the knights of the r - May 19 2022

web thomas malory 508 books470 followers sir thomas malory was a knight in the fifteenth century who while imprisoned compiled the collection of tales we know as le morte d arthur translating the legend of king arthur from original french tales such as

le morte d arthur king arthur and of his noble knights of the - Mar 17 2022

web mar 15 2021 independently published mar 15 2021 528 pages le morte d arthur is a 15th century middle english prose reworking by sir thomas malory of tales about the legendary king arthur guinevere lancelet merlin and the knights of the round table along with their respective folklore

character list cliffsnotes - Jul 21 2022

web home literature notes le morte d arthur character list character list arthur son of uther pendragon and igrayne arthur is given to merlin the magician who later counsels him in all matters sir ector raises the boy until he pulls the sword excalibur from the stone he then becomes the mightiest king of his time

le morte d arthur cliffsnotes - Aug 02 2023

web le morte d arthur tells the story of king arthur and his knights at the round table arthur who is son of king uther pendragon but was raised by another family takes his rightful place as king when as a boy he is able to

le morte d arthur king arthur and his noble knights - Jul 01 2023

web le morte d arthur king arthur and his noble knights of the round table by sir thomas malory 1 table of contents le morte darthur sir thomas malory s book of king arthur and of his noble knights of the round table ed pollard a w 1903 2 vol new york macmillan

le morte d arthur character analysis litcharts - Apr 29 2023

web sir launcelot du lake by most accounts the knight of greatest prowess in the kingdom launcelot is only matched by tristram launcelot always adheres to knights code of honor defending ladies in distress granting mercy to knights whom read analysis of sir launcelot du lake

mount kenya university courses and fees structure victor matara - Jan 09 2023

web mar 29 2021 mount kenya university courses and fees structure last updated on march 29th 2021 by victor matara this is the fees structure for all courses offered at mount kenya university it s one of the leading private universities in kenya with a student population of an excess of 50 000

mku nakuru campus courses intake requirements and fees - Dec 28 2021

web apr 26 2023 application fees receipts of ksh 1 000 certificates diplomas and undergraduates programmes and ksh 2 000 postgraduate programmes mku nakuru campus fee structure mount kenya university s fee structure is based on the programmes you undertake the fee structures are readily available on the institution s

mount kenya university courses and fee structure for 2021 2021 - Jun 14 2023

web sep 1 2023 mount kenya university courses and fee structure for 2021 2021 updated friday september 01 2023 at 12 32 pm by venic nyanchama mount kenya university is a registered and fully recognized broad based kenyan based university the institution is known for its dynamic inclusive and thorough academic and vocational training system

mount kenya university diploma courses fee structure 45 - Jan 29 2022

web mar 9 2023 below is the fee structure for all diploma courses offered in mount kenya university mount kenya university diploma medical courses fee structure 1 diploma in community oral health dental therapy minimum entry requirement kcse mean grade of c plain cluster subjects requirements c in english biology or biological sciences

mount kenya university mku fee structure 2023 2024 - Jul 03 2022

web dec 17 2020 department of community fee structure master of science in community health weekends 79 550 master of science in health education promotion and development 79 550 bachelor of science in community health 54 550 diploma in community health and hiv aids management dch 29 550

mount kenya university fees structure 2023 2024 kenyadmission - Jul 15 2023

web mount kenya university fees structure mount kenya university mku has released their tuition fee for each and every course offered within the institution for the year 2023 2024 note currency is in kenyan shillings college of health sciences mbchb bachelor of medicine and bachelor of surgery ksh 129 550

mount kenya university mku fee structure 2022 2023 - Mar 11 2023

web mount kenya university mku school fees structure for undergraduate programmes the following is the mku

undergraduate programmes and their respective tuition fees kuccps fee structure

mount kenya university courses and fee structure 2022 2023 - Sep 05 2022

web the university offers both certificate diploma degree masters and ph d courses to students the amount you will pay at mount kenya will largely depend on the course you are undertaking below is a list of all mount kenya university courses and the fee amount per semester you will pay per course

mount kenya university courses fees structure admission - Oct 06 2022

web jun 26 2023 mount kenya university fees structure mount kenya university fees structure the fees structure depends on the course that you are undertaking at the time of application contact the university of campus you would like to attend using the below contact information

september 2023 intake revised fees mount kenya university - May 13 2023

web p o box 342 01000 thika kenya email info mku ac ke tel 254 20 2878 000 cell 254 709 153 000 whatsapp 254 722 999 399 facebook mount kenya university

mount kenya university mku fee structure 2023 2024 - May 01 2022

web kornel fees structure evelyn hone college fees structure 2023 2024 details of evelyn hone college undergraduate postgraduate fee structure 2023 2024 mount kenya university mku has officially released the fee structure for programmes offered at the university for the 2023 2024 academic year mount kenya university fee

mount kenya university fee structure 2023 2024 - Nov 07 2022

web nov 10 2022 the mount kenya university fee structure 2023 2024 to be paid by each private self and government sponsored undergraduate postgraduate masters short courses diploma and certificate programmes student

mku fee structure 2024 2025 pdf download beraportal kenya - Apr 12 2023

web official mount kenya university mku fee structure latest update the authority of the mount kenya university mku has released the amount payable as school fees for undergraduate programmes for the 2024 2025 academic session

mount kenya university mount kenya university - Mar 31 2022

web admission process application submit your application form and supporting documents online or at our offices verification authentication of the submitted academic and identification documents the application is compared with the chosen course entry requirements reporting communication to applicant on admission status enroll

mku postgraduate fee structure 2023 2024 eafinder com - Jun 02 2022

web mku postgraduate fee structure 2023 2024 explore the best of east africa student career tips student career tips 2023 eafinder com all rights reserved

mku fee structure for self sponsored students all courses kenya - Aug 04 2022

web jul 7 2023 the university also has multiple branches located across kenya and in this article we shall look at fee structure for different self sponsored courses offered in mku from certificate level diploma and bachelor let s get started

mount kenya university fees structure 2024 2025 kenyanest - Feb 27 2022

web aug 31 2023 mount kenya university fees structure 2024 2025 this article is about mount kenya university fees structure 2024 to 2025 mt kenya universit y fees structure covers a wide range of the courses they offer so we have come up with a simplified version of the fees structure to make your work easier contents show note

download mount kenya university fees structure pdf 2022 2023 - Feb 10 2023

web download mount kenya university fees structure pdf for undergraduate postgraduate diploma courses masters certificate international students ph d job ssp short courses distance education learning programmes pdf january may september mount kenya university tuition fees 2022 2023 mku accommodation fees

mount kenya university fees structure approved for 2023 2024 - Dec 08 2022

web nov 10 2022 mount kenya university fees structure 2023 2024 released approved mount kenya university fees structure pdf download for 2023 2024 academic year the official mount kenya university fees 2023 2024 structure approved to be paid by each undergraduate postgraduate diploma and certificate programmes student has

affordable fees cost of studying a degree course mount kenya university - Aug 16 2023

web cost of degree programmes for 2023 2024 placement the reviewed fees will take effect from september 2023 school fees to study at mount kenya university compressed download college of health sciences programme code programme name

Fuel your quest for knowledge with Learn from is thought-provoking masterpiece, **Caterpillar 112f Service Manual** . This educational ebook, conveniently sized in PDF (*), is a gateway to personal growth and intellectual stimulation. Immerse yourself in the enriching content curated to cater to every eager mind. Download now and embark on a learning journey that promises to expand your horizons. .

https://offsite.creighton.edu/files/virtual-library/Documents/hamburger_university_chicago_menu.pdf

https://offsite.creighton.edu/files/virtual-library/Documents/grant_management_crm.pdf

https://offsite.creighton.edu/files/virtual-library/Documents/grammar_for_writing_grade_6_answer_key_pdf.pdf

Table of Contents Caterpillar 112f Service Manual

1. Understanding the eBook Caterpillar 112f Service Manual
 - The Rise of Digital Reading Caterpillar 112f Service Manual
 - Advantages of eBooks Over Traditional Books
2. Identifying Caterpillar 112f Service Manual
 - Exploring Different Genres
 - Considering Fiction vs. Non-Fiction
 - Determining Your Reading Goals
3. Choosing the Right eBook Platform
 - Popular eBook Platforms
 - Features to Look for in an Caterpillar 112f Service Manual
 - User-Friendly Interface
4. Exploring eBook Recommendations from Caterpillar 112f Service Manual
 - Personalized Recommendations

- Caterpillar 112f Service Manual User Reviews and Ratings
- Caterpillar 112f Service Manual and Bestseller Lists
- 5. Accessing Caterpillar 112f Service Manual Free and Paid eBooks
 - Caterpillar 112f Service Manual Public Domain eBooks
 - Caterpillar 112f Service Manual eBook Subscription Services
 - Caterpillar 112f Service Manual Budget-Friendly Options
- 6. Navigating Caterpillar 112f Service Manual eBook Formats
 - ePub, PDF, MOBI, and More
 - Caterpillar 112f Service Manual Compatibility with Devices
 - Caterpillar 112f Service Manual Enhanced eBook Features
- 7. Enhancing Your Reading Experience
 - Adjustable Fonts and Text Sizes of Caterpillar 112f Service Manual
 - Highlighting and Note-Taking Caterpillar 112f Service Manual
 - Interactive Elements Caterpillar 112f Service Manual
- 8. Staying Engaged with Caterpillar 112f Service Manual
 - Joining Online Reading Communities
 - Participating in Virtual Book Clubs
 - Following Authors and Publishers Caterpillar 112f Service Manual
- 9. Balancing eBooks and Physical Books Caterpillar 112f Service Manual
 - Benefits of a Digital Library
 - Creating a Diverse Reading Collection Caterpillar 112f Service Manual
- 10. Overcoming Reading Challenges
 - Dealing with Digital Eye Strain
 - Minimizing Distractions
 - Managing Screen Time
- 11. Cultivating a Reading Routine Caterpillar 112f Service Manual
 - Setting Reading Goals Caterpillar 112f Service Manual
 - Carving Out Dedicated Reading Time
- 12. Sourcing Reliable Information of Caterpillar 112f Service Manual
 - Fact-Checking eBook Content of Caterpillar 112f Service Manual

- Distinguishing Credible Sources
- 13. Promoting Lifelong Learning
 - Utilizing eBooks for Skill Development
 - Exploring Educational eBooks
- 14. Embracing eBook Trends
 - Integration of Multimedia Elements
 - Interactive and Gamified eBooks

Caterpillar 112f Service Manual Introduction

Caterpillar 112f Service Manual Offers over 60,000 free eBooks, including many classics that are in the public domain. Open Library: Provides access to over 1 million free eBooks, including classic literature and contemporary works. Caterpillar 112f Service Manual Offers a vast collection of books, some of which are available for free as PDF downloads, particularly older books in the public domain. Caterpillar 112f Service Manual : This website hosts a vast collection of scientific articles, books, and textbooks. While it operates in a legal gray area due to copyright issues, its a popular resource for finding various publications. Internet Archive for Caterpillar 112f Service Manual : Has an extensive collection of digital content, including books, articles, videos, and more. It has a massive library of free downloadable books. Free-eBooks Caterpillar 112f Service Manual Offers a diverse range of free eBooks across various genres. Caterpillar 112f Service Manual Focuses mainly on educational books, textbooks, and business books. It offers free PDF downloads for educational purposes. Caterpillar 112f Service Manual Provides a large selection of free eBooks in different genres, which are available for download in various formats, including PDF. Finding specific Caterpillar 112f Service Manual, especially related to Caterpillar 112f Service Manual, might be challenging as theyre often artistic creations rather than practical blueprints. However, you can explore the following steps to search for or create your own Online Searches: Look for websites, forums, or blogs dedicated to Caterpillar 112f Service Manual, Sometimes enthusiasts share their designs or concepts in PDF format. Books and Magazines Some Caterpillar 112f Service Manual books or magazines might include. Look for these in online stores or libraries. Remember that while Caterpillar 112f Service Manual, sharing copyrighted material without permission is not legal. Always ensure youre either creating your own or obtaining them from legitimate sources that allow sharing and downloading. Library Check if your local library offers eBook lending services. Many libraries have digital catalogs where you can borrow Caterpillar 112f Service Manual eBooks for free, including popular titles. Online Retailers: Websites like Amazon, Google Books, or Apple Books often sell eBooks. Sometimes, authors or publishers offer promotions or free periods for certain books. Authors Website Occasionally, authors provide excerpts or short stories for free on their websites. While this might not

be the Caterpillar 112f Service Manual full book , it can give you a taste of the authors writing style.Subscription Services Platforms like Kindle Unlimited or Scribd offer subscription-based access to a wide range of Caterpillar 112f Service Manual eBooks, including some popular titles.

FAQs About Caterpillar 112f Service Manual Books

1. Where can I buy Caterpillar 112f Service Manual books? Bookstores: Physical bookstores like Barnes & Noble, Waterstones, and independent local stores. Online Retailers: Amazon, Book Depository, and various online bookstores offer a wide range of books in physical and digital formats.
2. What are the different book formats available? Hardcover: Sturdy and durable, usually more expensive. Paperback: Cheaper, lighter, and more portable than hardcovers. E-books: Digital books available for e-readers like Kindle or software like Apple Books, Kindle, and Google Play Books.
3. How do I choose a Caterpillar 112f Service Manual book to read? Genres: Consider the genre you enjoy (fiction, non-fiction, mystery, sci-fi, etc.). Recommendations: Ask friends, join book clubs, or explore online reviews and recommendations. Author: If you like a particular author, you might enjoy more of their work.
4. How do I take care of Caterpillar 112f Service Manual books? Storage: Keep them away from direct sunlight and in a dry environment. Handling: Avoid folding pages, use bookmarks, and handle them with clean hands. Cleaning: Gently dust the covers and pages occasionally.
5. Can I borrow books without buying them? Public Libraries: Local libraries offer a wide range of books for borrowing. Book Swaps: Community book exchanges or online platforms where people exchange books.
6. How can I track my reading progress or manage my book collection? Book Tracking Apps: Goodreads, LibraryThing, and Book Catalogue are popular apps for tracking your reading progress and managing book collections. Spreadsheets: You can create your own spreadsheet to track books read, ratings, and other details.
7. What are Caterpillar 112f Service Manual audiobooks, and where can I find them? Audiobooks: Audio recordings of books, perfect for listening while commuting or multitasking. Platforms: Audible, LibriVox, and Google Play Books offer a wide selection of audiobooks.
8. How do I support authors or the book industry? Buy Books: Purchase books from authors or independent bookstores. Reviews: Leave reviews on platforms like Goodreads or Amazon. Promotion: Share your favorite books on social media or recommend them to friends.

9. Are there book clubs or reading communities I can join? Local Clubs: Check for local book clubs in libraries or community centers. Online Communities: Platforms like Goodreads have virtual book clubs and discussion groups.
10. Can I read Caterpillar 112f Service Manual books for free? Public Domain Books: Many classic books are available for free as they're in the public domain. Free E-books: Some websites offer free e-books legally, like Project Gutenberg or Open Library.

Find Caterpillar 112f Service Manual :

hamburger university chicago menu

grant management crm

grammar for writing grade 6 answer key pdf

guide to day trading pdf

graduation notes from parents

group therapy topics for depression

guerra de corea

happy ever after the selection

[greek or latin roots](#)

hans christian andersen and edward cullen

[handel's woods cross](#)

~~good moral character letter sample for immigration~~

handbook on well plugging and abandonment pdf

grid coordinates on a military map are read

golf cart rental agreement form

Caterpillar 112f Service Manual :