

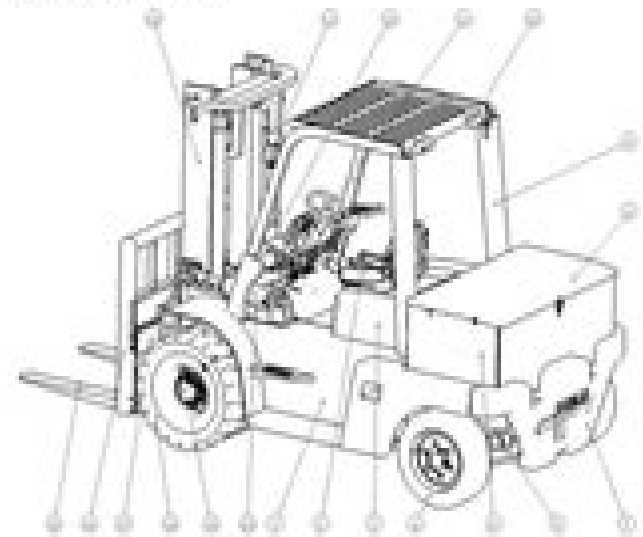
■ Main Specifications of Forklift Truck

Main Specifications

Item		Unit	CPD60 400	CPD70 400
Overall length	With forks			448
	Without forks			394
Overall width	At front wheels			1004
	At rear			1004
Overall height	With mast lowered			1500
	Overhead guard			2170
	With mast raised			2470
Functions				2170
Load center		mm		400
Tread	Front			1470
	Rear			1400
	Inner center			340
Ground clearance (included)	At mast			500
	At rear axle			130
Fuel capacity				400
Max. lifting angle				3000
Max. raising ratio				1700
Max. descending speed	Unloaded	mm/s		2100
	Loaded			1000
Max. tilting speed	Unloaded			300
	Loaded			170
Max. traveling speed	Unloaded	km/h		17.7
	Loaded			14
Max. gradeability (loaded)		%	11	11
Max. pulling force (loaded)		kN	48	47
Max. air speed (2 wheels)		m	40.1	
Fork (length × width × thickness)		mm	1200 × 120 × 40	1200 × 120 × 40
Battery	Voltage	V	36	
	Capacity	Ah	300	
Motor	Traction motor	W	14.8 × 7	
	Pump motor		14.8 × 7	
Eye size	Front		1.25 × 15 × 1498	
	Rear		21 × 8 × 11	
Service weight		kg	4100	4500

■ Main Assembly of Forklift Truck

1. Name of the Main Parts



- (1) Forks (2) Seat (3) Mast (4) Rear wheel (5) Battery pack
 (6) Steering axle (7) Counterweight (8) Battery box and cover
 (9) Overhead guard (10) Rear combination lamp (11) Steering wheel
 (12) Instrument panel holder (13) Front combination lamp (14) Mast
 (15) Fork (16) Load indicator (17) Fork arm carriage (18) Front wheel
 (19) Drive axle (20) Tilting cylinder

Heli Forklift Manual

Musa Jouaneh



Heli Forklift Manual

Fundamentals Of Fluid Mechanics 7th Edition Textbook ... Access Fundamentals of Fluid Mechanics 7th Edition solutions now. Our solutions are written by Chegg experts so you can be assured of the highest quality! Fundamentals of Fluid Mechanics - 7th Edition - Solutions ... Our resource for Fundamentals of Fluid Mechanics includes answers to chapter exercises, as well as detailed information to walk you through the process step by ... (PDF) Fluid Mechanics Munson 7th Solutions ... Fundamentals of fluid mechanics 7th edition munson - 15 ebooks ... 4 ... SOLUTIONS MANUAL FOR Introduction to Fluid Mechanics (7 ... 7th Ed by Liang ... Looking for White's fluid mechanics solution sheet (7th ... Hey, I've been looking for the solution manual of this book for some time now and I couldn't find it. I was wondering if some of you have a ... Solution Manual to Engineering Fluid Mechancs by JL Meriam · 2012 · Cited by 129 — This stimulates interest and class discussion. Solutions to the design problems are included in the solution manual. The seventh edition also includes ... Student Solutions Manual and Student Study Guide ... Student Solutions Manual and Student Study Guide Fundamentals of Fluid Mechanics, 7e. 7th Edition. ISBN-13: 978-1118370438, ISBN-10: 9781118370438. 3.6 3.6 out ... Student Solutions Manual This Student Solutions Manual has been developed as a supplement to Fundamentals of. Fluid Mechanics, by Munson, Young, and Okiishi. At the end of each ... Fundamentals of fluid mechanics, seventh edition Fundamentals of fluid mechanics, seventh edition : student solutions manual and study guide. Show more. Authors: Bruce Roy Munson (Author), T. H. Okiishi ... Solution Manual Fundamental of Fluid Mechanics, 7th ... This volume presents a variety of example problems for students offluid me- chanics. It is a companion manual to the text, Engineering Fluid Mechanics, 7th ... Fundamentals of Fluid Mechanics 7th Edition Textbook ... Fundamentals of Fluid Mechanics offers comprehensive topical coverage, with varied examples and problems, application of visual component of fluid mechanics ... Laboratory Manual by Sylvia Mader PDF, any edition will do Biology: Laboratory Manual by Sylvia Mader PDF, any edition will do · Best · Top · New · Controversial · Old · Q&A. Test Bank and Solutions For Biology 14th Edition By Sylvia ... Solutions, Test Bank & Ebook for Biology 14th Edition By Sylvia Mader, Michael Windelspecht ; 9781260710878, 1260710874 & CONNECT assignments, ... Human Biology 17th Edition Mader SOLUTION MANUAL Solution Manual for Human Biology, 17th Edition, Sylvia Mader, Michael Windelspecht, ISBN10: 1260710823, ISBN13: 9781260710823... Lab Manual for Mader Biology Get the 14e of Lab Manual for Mader Biology by Sylvia Mader Textbook, eBook, and other options. ISBN 9781266244476. Copyright 2022. Biology - 13th Edition - Solutions and Answers Our resource for Biology includes answers to chapter exercises, as well as detailed information to walk you through the process step by step. With Expert ... Sylvia Mader Solutions Books by Sylvia Mader with Solutions ; Inquiry Into Life with Lab Manual and Connect Access Card 14th Edition 672 Problems solved, Michael Windelspecht,

Sylvia ... lab manual answers biology.pdf Lab manual answers biology Now is the time to redefine your true self using Slader's free Lab Manual for Biology answers. Shed the societal and cultural ... Lab Manual for Maders Biology: 9781260179866 Lab Manual for Mader Biology. Sylvia Mader. 4.1 ... answers to many exercise questions are hard to find or not in this book anyway ... Lab Manual for Human Biology Sylvia S. Mader has authored several nationally recognized biology texts published by McGraw-Hill. Educated at Bryn Mawr College, Harvard University, Tufts ... Lab Manual to accompany Essentials of Biology ... - Amazon Amazon.com: Lab Manual to accompany Essentials of Biology: 9780077234256: Mader, Sylvia: Books. ... There are some mistakes in the answer key for some of the ... Kids Music Jeopardy Kids Music Jeopardy Jeopardy Template. T.V. "I threw a wish in the well, don't ask me I'll never tell, I looked at you as it fell, and now you're in my way!" Music Jeopardy For Kids Whole note + an eight note. What is 4 1/2? ; Adam Levigne. What is Maroon 5? ; Treble Clef. What is... ? ; Beyonce. What is...? ; She has to leave before midnight. Kids Music Jeopardy Factile lets you create your own Jeopardy-style classroom game or quiz in minutes. You can even choose from millions of pre-made games. Play "Kids Music ... Music jeopardy Browse music jeopardy resources on Teachers Pay Teachers, a marketplace trusted by millions of teachers for original educational ... Jeopardy Questions For Kids List of Jeopardy Questions for Kids · How many legs does a spider have? · How many noses does a slug have? · What group of animals is called a pride? · What do ... 21 Kids Music Trivia Questions to Make You Sing a Song of ... Mar 5, 2023 — 1. What song is often sung when you turn a year older? This Little Light Of Mine. Can You Answer These Real "Jeopardy!" Questions About ... May 15, 2019 — ... history, but novices may be able to beat the trivia wizes when it comes to music. How many of these 25 real "Jeopardy!" questions can you answer Music Jeopardy (Grades 2 - 5) This resource is specifically designed for parents! Music Jeopardy is a great way to engage your kids and tune into the music that they are into.

Immerse yourself in the artistry of words with Crafted by is expressive creation, Immerse Yourself in **Heli Forklift Manual** . This ebook, presented in a PDF format (Download in PDF: *), is a masterpiece that goes beyond conventional storytelling. Indulge your senses in prose, poetry, and knowledge. Download now to let the beauty of literature and artistry envelop your mind in a unique and expressive way.

https://offsite.creighton.edu/files/virtual-library/Documents/how_to_heal_a_wounded_spirit.pdf

https://offsite.creighton.edu/files/virtual-library/Documents/how_to_start_a_pet_sitting_business.pdf

https://offsite.creighton.edu/files/virtual-library/Documents/how_to_get_cengage_answers.pdf

Table of Contents Heli Forklift Manual

1. Understanding the eBook Heli Forklift Manual
 - The Rise of Digital Reading Heli Forklift Manual
 - Advantages of eBooks Over Traditional Books
2. Identifying Heli Forklift Manual
 - Exploring Different Genres
 - Considering Fiction vs. Non-Fiction
 - Determining Your Reading Goals
3. Choosing the Right eBook Platform
 - Popular eBook Platforms
 - Features to Look for in an Heli Forklift Manual
 - User-Friendly Interface
4. Exploring eBook Recommendations from Heli Forklift Manual
 - Personalized Recommendations

- Heli Forklift Manual User Reviews and Ratings
- Heli Forklift Manual and Bestseller Lists
- 5. Accessing Heli Forklift Manual Free and Paid eBooks
 - Heli Forklift Manual Public Domain eBooks
 - Heli Forklift Manual eBook Subscription Services
 - Heli Forklift Manual Budget-Friendly Options
- 6. Navigating Heli Forklift Manual eBook Formats
 - ePub, PDF, MOBI, and More
 - Heli Forklift Manual Compatibility with Devices
 - Heli Forklift Manual Enhanced eBook Features
- 7. Enhancing Your Reading Experience
 - Adjustable Fonts and Text Sizes of Heli Forklift Manual
 - Highlighting and Note-Taking Heli Forklift Manual
 - Interactive Elements Heli Forklift Manual
- 8. Staying Engaged with Heli Forklift Manual
 - Joining Online Reading Communities
 - Participating in Virtual Book Clubs
 - Following Authors and Publishers Heli Forklift Manual
- 9. Balancing eBooks and Physical Books Heli Forklift Manual
 - Benefits of a Digital Library
 - Creating a Diverse Reading Collection Heli Forklift Manual
- 10. Overcoming Reading Challenges
 - Dealing with Digital Eye Strain
 - Minimizing Distractions
 - Managing Screen Time
- 11. Cultivating a Reading Routine Heli Forklift Manual
 - Setting Reading Goals Heli Forklift Manual
 - Carving Out Dedicated Reading Time
- 12. Sourcing Reliable Information of Heli Forklift Manual
 - Fact-Checking eBook Content of Heli Forklift Manual

- Distinguishing Credible Sources
13. Promoting Lifelong Learning
- Utilizing eBooks for Skill Development
 - Exploring Educational eBooks
14. Embracing eBook Trends
- Integration of Multimedia Elements
 - Interactive and Gamified eBooks

Heli Forklift Manual Introduction

In today's digital age, the availability of Heli Forklift Manual books and manuals for download has revolutionized the way we access information. Gone are the days of physically flipping through pages and carrying heavy textbooks or manuals. With just a few clicks, we can now access a wealth of knowledge from the comfort of our own homes or on the go. This article will explore the advantages of Heli Forklift Manual books and manuals for download, along with some popular platforms that offer these resources. One of the significant advantages of Heli Forklift Manual books and manuals for download is the cost-saving aspect. Traditional books and manuals can be costly, especially if you need to purchase several of them for educational or professional purposes. By accessing Heli Forklift Manual versions, you eliminate the need to spend money on physical copies. This not only saves you money but also reduces the environmental impact associated with book production and transportation. Furthermore, Heli Forklift Manual books and manuals for download are incredibly convenient. With just a computer or smartphone and an internet connection, you can access a vast library of resources on any subject imaginable. Whether you're a student looking for textbooks, a professional seeking industry-specific manuals, or someone interested in self-improvement, these digital resources provide an efficient and accessible means of acquiring knowledge. Moreover, PDF books and manuals offer a range of benefits compared to other digital formats. PDF files are designed to retain their formatting regardless of the device used to open them. This ensures that the content appears exactly as intended by the author, with no loss of formatting or missing graphics. Additionally, PDF files can be easily annotated, bookmarked, and searched for specific terms, making them highly practical for studying or referencing. When it comes to accessing Heli Forklift Manual books and manuals, several platforms offer an extensive collection of resources. One such platform is Project Gutenberg, a nonprofit organization that provides over 60,000 free eBooks. These books are primarily in the public domain, meaning they can be freely distributed and downloaded. Project Gutenberg offers a wide range of classic literature, making it an excellent resource for literature enthusiasts. Another popular platform for Heli Forklift Manual books and manuals is Open Library. Open Library is an initiative of the Internet Archive, a non-profit organization dedicated to digitizing cultural

artifacts and making them accessible to the public. Open Library hosts millions of books, including both public domain works and contemporary titles. It also allows users to borrow digital copies of certain books for a limited period, similar to a library lending system. Additionally, many universities and educational institutions have their own digital libraries that provide free access to PDF books and manuals. These libraries often offer academic texts, research papers, and technical manuals, making them invaluable resources for students and researchers. Some notable examples include MIT OpenCourseWare, which offers free access to course materials from the Massachusetts Institute of Technology, and the Digital Public Library of America, which provides a vast collection of digitized books and historical documents. In conclusion, Heli Forklift Manual books and manuals for download have transformed the way we access information. They provide a cost-effective and convenient means of acquiring knowledge, offering the ability to access a vast library of resources at our fingertips. With platforms like Project Gutenberg, Open Library, and various digital libraries offered by educational institutions, we have access to an ever-expanding collection of books and manuals. Whether for educational, professional, or personal purposes, these digital resources serve as valuable tools for continuous learning and self-improvement. So why not take advantage of the vast world of Heli Forklift Manual books and manuals for download and embark on your journey of knowledge?

FAQs About Heli Forklift Manual Books

How do I know which eBook platform is the best for me? Finding the best eBook platform depends on your reading preferences and device compatibility. Research different platforms, read user reviews, and explore their features before making a choice. Are free eBooks of good quality? Yes, many reputable platforms offer high-quality free eBooks, including classics and public domain works. However, make sure to verify the source to ensure the eBook credibility. Can I read eBooks without an eReader? Absolutely! Most eBook platforms offer web-based readers or mobile apps that allow you to read eBooks on your computer, tablet, or smartphone. How do I avoid digital eye strain while reading eBooks? To prevent digital eye strain, take regular breaks, adjust the font size and background color, and ensure proper lighting while reading eBooks. What the advantage of interactive eBooks? Interactive eBooks incorporate multimedia elements, quizzes, and activities, enhancing the reader engagement and providing a more immersive learning experience. Heli Forklift Manual is one of the best book in our library for free trial. We provide copy of Heli Forklift Manual in digital format, so the resources that you find are reliable. There are also many Ebooks of related with Heli Forklift Manual. Where to download Heli Forklift Manual online for free? Are you looking for Heli Forklift Manual PDF? This is definitely going to save you time and cash in something you should think about.

Find Heli Forklift Manual :

how to heal a wounded spirit

how to start a pet sitting business

how to get cengage answers

how to find geometry answers

~~how to do land nav army~~

~~how to get private investigator license in florida~~

how to price jobs as a handyman

how to program cnc lathe

~~how to read literature like a professor pdf~~

how to program a white rodgers thermostat

how to play easy christmas songs on piano

how to get rich in a small town

how to renew fcc ham radio license

how to lace a corset properly

how to put spells on people

Heli Forklift Manual :