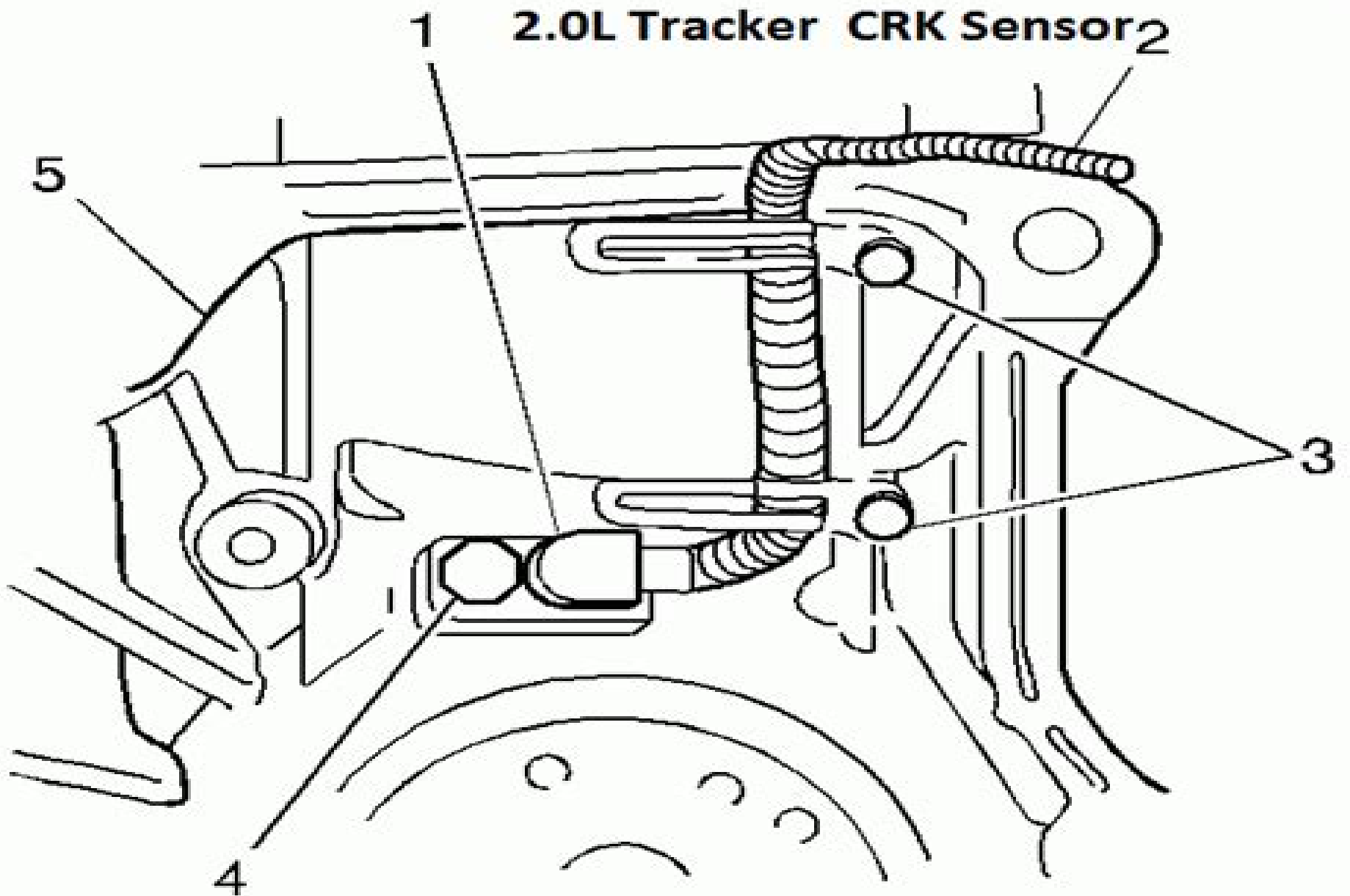


2.0L Tracker CRK Sensor



This is behind the flywheel, after removing the Transmission

Where Can You Find A Diagram Of 2 0 Chevrolet Tracker Engine

LM Reder



Where Can You Find A Diagram Of 2 0 Chevrolet Tracker Engine

Federal Register ,2002 **Popular Science** ,1988-12 Popular Science gives our readers the information and tools to improve their technology and their world The core belief that Popular Science and our readers share The future is going to be better and science and technology are the driving forces that will help make it better **Critical Theory Today** Lois Tyson,2012-09-10 Critical Theory Today is the essential introduction to contemporary critical theory It provides clear simple explanations and concrete examples of complex concepts making a wide variety of commonly used critical theories accessible to novices without sacrificing any theoretical rigor or thoroughness This new edition provides in depth coverage of the most common approaches to literary analysis today feminism psychoanalysis Marxism reader response theory new criticism structuralism and semiotics deconstruction new historicism cultural criticism lesbian gay queer theory African American criticism and postcolonial criticism The chapters provide an extended explanation of each theory using examples from everyday life popular culture and literary texts a list of specific questions critics who use that theory ask about literary texts an interpretation of F Scott Fitzgerald s *The Great Gatsby* through the lens of each theory a list of questions for further practice to guide readers in applying each theory to different literary works and a bibliography of primary and secondary works for further reading [The Praetorian STARShip : the untold story of the Combat Talon](#) ,2001 Jerry Thigpen s study on the history of the Combat Talon is the first effort to tell the story of this wonderfully capable machine This weapons system has performed virtually every imaginable tactical event in the spectrum of conflict and by any measure is the most versatile C 130 derivative ever produced First modified and sent to Southeast Asia SEA in 1966 to replace theater unconventional warfare UW assets that were limited in both lift capability and speed the Talon I quickly adapted to theater UW tasking including infiltration and resupply and psychological warfare operations into North Vietnam After spending four years in SEA and maturing into a highly respected UW weapons system the Joint Chief of Staff JCS chose the Combat Talon to lead the night low level raid on the North Vietnamese prison camp at Son Tay Despite the outcome of the operation the Talon I cemented its reputation as the weapons system of choice for long range clandestine operations In the period following the Vietnam War United States Air Force USAF special operations gradually lost its political and financial support which was graphically demonstrated in the failed Desert One mission into Iran Thanks to congressional supporters like Earl Hutto of Florida and Dan Daniel of Virginia funds for aircraft upgrades and military construction projects materialized to meet the ever increasing threat to our nation Under the leadership of such committed hard driven officers as Brenci Uttaro Ferkes Meller and Thigpen the crew force became the most disciplined in our Air Force It was capable of penetrating hostile airspace at night in a low level mountainous environment covertly to execute any number of unconventional warfare missions

Think Like a Programmer V. Anton Spraul,2012-08-12 The real challenge of programming isn t learning a language s

syntax it's learning to creatively solve problems so you can build something great In this one of a kind text author V Anton Spraul breaks down the ways that programmers solve problems and teaches you what other introductory books often ignore how to Think Like a Programmer Each chapter tackles a single programming concept like classes pointers and recursion and open ended exercises throughout challenge you to apply your knowledge You'll also learn how to Split problems into discrete components to make them easier to solve Make the most of code reuse with functions classes and libraries Pick the perfect data structure for a particular job Master more advanced programming tools like recursion and dynamic memory Organize your thoughts and develop strategies to tackle particular types of problems Although the book's examples are written in C the creative problem solving concepts they illustrate go beyond any particular language in fact they often reach outside the realm of computer science As the most skillful programmers know writing great code is a creative art and the first step in creating your masterpiece is learning to Think Like a Programmer

Popular Science, 2004-09 Popular Science gives our readers the information and tools to improve their technology and their world The core belief that Popular Science and our readers share The future is going to be better and science and technology are the driving forces that will help make it better

Debugging Teams Brian W. Fitzpatrick, Ben Collins-Sussman, 2015-10-13 In the course of their 20 year engineering careers authors Brian Fitzpatrick and Ben Collins Sussman have picked up a treasure trove of wisdom and anecdotes about how successful teams work together Their conclusion Even among people who have spent decades learning the technical side of their jobs most haven't really focused on the human component Learning to collaborate is just as important to success If you invest in the soft skills of your job you can have a much greater impact for the same amount of effort The authors share their insights on how to lead a team effectively navigate an organization and build a healthy relationship with the users of your software This is valuable information from two respected software engineers whose popular series of talks including Working with Poisonous People has attracted hundreds of thousands of followers

Model curriculum for training tractor-trailer drivers, 1985

Physics for Scientists and Engineers Raymond Serway, John Jewett, 2013-01-01 As a market leader PHYSICS FOR SCIENTISTS AND ENGINEERS is one of the most powerful brands in the physics market While preserving concise language state of the art educational pedagogy and top notch worked examples the Ninth Edition highlights the Analysis Model approach to problem solving including brand new Analysis Model Tutorials written by text co author John Jewett and available in Enhanced WebAssign The Analysis Model approach lays out a standard set of situations that appear in most physics problems and serves as a bridge to help students identify the correct fundamental principle and then the equation to utilize in solving that problem The unified art program and the carefully thought out problem sets also enhance the thoughtful instruction for which Raymond A Serway and John W Jewett Jr earned their reputations The Ninth Edition of PHYSICS FOR SCIENTISTS AND ENGINEERS continues to be accompanied by Enhanced WebAssign in the most integrated text technology offering available today Important Notice Media content referenced within the product

description or the product text may not be available in the ebook version [Report of the Presidential Commission on the Space Shuttle Challenger Accident](#) DIANE Publishing Company, Southgate Publishers, 1995-07 **The Ideal Problem**

Solver John Bransford, Barry S. Stein, 1993 Provocative challenging and fun The Ideal Problem Solver offers a sound methodical approach for resolving problems based on the IDEAL Identify Define Explore Act Look model The authors suggest new strategies for enhancing creativity improving memory criticizing ideas and generating alternatives and communicating more effectively with a wider range of people Using the results of laboratory research previously available only in a piecemeal fashion or in scientific journals Bransford and Stein discuss such issues as Teaming new information overcoming blocks to creativity and viewing problems from a variety of perspectives [Management Information Systems](#) Kenneth C.

Laudon, Jane Price Laudon, 2004 Management Information Systems provides comprehensive and integrative coverage of essential new technologies information system applications and their impact on business models and managerial decision making in an exciting and interactive manner The twelfth edition focuses on the major changes that have been made in information technology over the past two years and includes new opening closing and Interactive Session cases **The**

Media Lab Stewart Brand, 1989 Personalized newspapers life sized holograms telephones that chat with callers these are all projects that are being developed at MIT's Media Lab Brand explores the exciting programs and gives readers a look at the future of communications *Beginning Software Engineering* Rod Stephens, 2022-10-14 Discover the foundations of software engineering with this easy and intuitive guide In the newly updated second edition of Beginning Software Engineering expert programmer and tech educator Rod Stephens delivers an instructive and intuitive introduction to the fundamentals of software engineering In the book you'll learn to create well constructed software applications that meet the needs of users while developing the practical hands on skills needed to build robust efficient and reliable software The author skips the unnecessary jargon and sticks to simple and straightforward English to help you understand the concepts and ideas discussed within He also offers you real world tested methods you can apply to any programming language You'll also get Practical tips for preparing for programming job interviews which often include questions about software engineering practices A no nonsense guide to requirements gathering system modeling design implementation testing and debugging Brand new coverage of user interface design algorithms and programming language choices Beginning Software Engineering doesn't assume any experience with programming development or management It's plentiful figures and graphics help to explain the foundational concepts and every chapter offers several case examples Try It Out and How It Works explanatory sections For anyone interested in a new career in software development or simply curious about the software engineering process Beginning Software Engineering Second Edition is the handbook you've been waiting for **Advanced Automotive Fault Diagnosis** Tom Denton, 2006-08-14 Diagnostics or fault finding is a fundamental part of an automotive technician's work and as automotive systems become increasingly complex there is a greater need for good diagnostic skills Advanced

Automotive Fault Diagnosis is the only book to treat automotive diagnostics as a science rather than a check list procedure Each chapter includes basic principles and examples of a vehicle system followed by the appropriate diagnostic techniques complete with useful diagrams flow charts case studies and self assessment questions The book will help new students develop diagnostic skills and help experienced technicians improve even further This new edition is fully updated to the latest technological developments Two new chapters have been added On board diagnostics and Oscilloscope diagnostics and the coverage has been matched to the latest curricula of motor vehicle qualifications including IMI and C Level 4 diagnostic units BTEC National and Higher National qualifications from Edexcel International Motor Vehicle qualifications such as C and ASE certification in the USA

The Guerrilla and how to Fight Him ,1962 *Analog Circuit Design* Jim Williams,2016-06-30

Analog Circuit Design *Pre-Incident Indicators of Terrorist Incidents* Brent L. Smith,2011 This is a print on demand edition of a hard to find publication Explores whether sufficient data exists to examine the temporal and spatial relationships that existed in terrorist group planning and if so could patterns of preparatory conduct be identified About one half of the terrorists resided planned and prepared for terrorism relatively close to their eventual target The terrorist groups existed for 1 205 days from the first planning meeting to the date of the actual planned terrorist incident The planning process for specific acts began 2 3 months prior to the terrorist incident This study examined selected terrorist groups incidents in the U S from 1980 2002 It provides for the potential to identify patterns of conduct that might lead to intervention prior to the commission of the actual terrorist incidents Illustrations

American Automobile Names Ingrid Piller,1996 *Book and Car Reader's Digest* Children's Publishing, Incorporated,2004-09 Each of these awesome collectible NASCAR book and car sets comes complete with a die cast metal replica of the featured driver s car made specifically for Reader s Digest by Action Performance Each features a super 24 page book that includes a brief biography of these NASCAR champs along with facts about their greatest races and information about their cars After young racers have read all about their favorite drivers they can get in on the action with a mini race track printed inside the book perfect for use with the die cast race cars

pediatric nurse exam sample questions ana ana enterprise - Jul 20 2022

web pediatric nurse exam sample questions these sample questions apply to all exams taken on or after october 25 2014 the following sample questions are similar to those on the examination but do not represent the full range of content or levels of difficulty the answers to the sample questions are provided after the last question

[osce pediatrics pdf slideshare](#) - Mar 28 2023

web aug 2 2012 osce pediatrics download as a pdf or view online for free he had a history of accidental ingestion of pesticides 6 days ago and was treated at a private nursing home and sent home on day 3 he was asymptomatic at home for the past 3 days introduce and establish rapport 2 questions to be asked regarding volume and

900 osce stations osce practice osce bank osce - Jun 30 2023

web feb 28 2022 an osce bank of 900 osce stations with answers checklists providing everything you need to prepare for your osces including running mock osces osce case types include clinical examination procedures communication skills data interpretation emergency abcde scenarios and documentation

osce pediatrics previous year questions dnb pediatrics - Jun 18 2022

web apr 22 2022 osce pediatrics previous year questions this is a list of some of the pediatric osce stations from previous dnb exam based on my recall even though they might not get repeated as it is often they are framed similarly knowing the pattern of your question is an important step forward for clearing dnb exam

paediatrics osce stations osce sense - Nov 23 2022

web a huge number of paediatrics stations with interactive mark schemes to help you smash your clinical osce exams

pediatric nursing quizzes questions answers proprofs - Sep 02 2023

web mar 22 2023 pediatric nursing quizzes questions answers get ready for a fascinating adventure into the world of pediatric nursing with our engaging pediatric nursing quizzes if you have a passion for nursing and a special place in your heart for working with children these quizzes are the perfect platform to test your knowledge

nursing paediatric osce sample questions - Apr 16 2022

web questions of dnb osce nursing paediatric osce sample questions nclex 100 questions and answers with rationale pediatric nursing osces a complete guide to exam success blog nclex sample questions for pediatric nursing 2 practice question amp answer paediatric fever osce youtube nursing osces catherine

osce in pediatrics pdf slideshare - Aug 01 2023

web dec 2 2015 the osce in pediatrics conducted by the national board consists of 25 30 stations that the candidate has to attend by rotation each station has one or more tasks for the candidate to complete in a fixed time usually 5 minutes the stations consist of questions or problems and usually cover the following topics 1 case studies 2

nursing paediatric osce sample questions secure4 khronos - Feb 12 2022

web nursing paediatric osce sample questions nursing osces catherine cabellero fiona creed clare using objective structured clinical examination osce in student evaluation of an osce in community health nursing

sample osce stations royal college of physicians and - Jan 26 2023

web prior to entering each osce station you will have up to two minutes to look at this information before you speak to the patient while you are having a dialogue with the patient an examiner will be marking you against a pre agreed set of criteria on a mark sheet examples of candidate information and mark sheets are given below

paediatrics examination clinical examination osce guides - Oct 23 2022

web oldest a collection of paediatric guides including developmental assessment newborn baby examination nipe and other osce scenarios relating to paediatrics

a mcqs osce pediatrics - Apr 28 2023

web jul 26 2023 protected online mock pediatric osce 15th aug 2023 august 15 2023 protected online mock pediatric osce 6th aug 2023 august 6 2023 mcq 49 vomiting in children july 26 2023 online osce 9th may 2023 may 9 2023 mcq 46 febrile seizures april 20 2023 categories a mcqs b osce slideshow case presentation experts

preparation materials the nursing and midwifery council - Feb 24 2023

web osce preparation materials midwifery osce assessments as part of the ongoing development of the test of competence osce for midwifery we have made some changes to the existing assessments and released a small number of new stations which will come into use from monday 26 june

nmc osce test of competence 2021 the nursing and - Aug 21 2022

web for more information about the appeals process please read the osce information booklets questions about your osce if you have a query about your osce booking or exam results please contact your test centre

osce pediatrics - May 30 2023

web jul 26 2023 click here for q a of online osce 15th aug 2023 these are question and answers of online osce of 15th aug 2023 the answers are only indicative and resp august 15 2023 dr tushar maniar online mock pediatric osce 6th aug 2023 online osce 9th may 2023 online osce 3rd dec 2022

practice osce station sepsis osce sense - May 18 2022

web this practice sepsis station will help you develop your osce exam skills in this clinical osce you will be asked to take do an a e from a patient with a fever this station is a mock for real clinical exams ace your medical exams with osce sense

case scenarios pediatric osce stations dnb pediatrics - Oct 03 2023

web jan 6 2023 this guide includes practice osce stations based on case scenarios data interpretation and image based diagnosis in pediatrics practicing osce stations helps in developing osce skills along with time keeping for final exams station 1 case based scenario vision problem with recurrent infections

osce cases clinical case scenarios geeky medics - Mar 16 2022

web clinical cases a collection of interactive clinical case scenarios aligned with uk medical licensing assessment mla presentations each scenario allows you to work through history taking investigations diagnosis and management you might also be interested in our bank of 900 osce stations a collection of interactive medical and surgical

mock scenario for nursing associate osce university of - Dec 25 2022

web please note this is a mock osce example for education and training purposes only the marking information applies to all

of the scenarios they provide a guide to the level of performance we expect in relation to nursing care knowledge and attitude evidence for the expected performance criteria can be found in the reading list and related

osce in pediatrics sample practise stations dnb pediatrics - Sep 21 2022

web mar 13 2022 question perform clinical examination of this 8 year old child with history of hypertension what is focused clinical examination in osce question demonstrate resuscitation step for this 18 hour old baby who has suddenly become unresponsive question demonstrate steps in management of this 6 month old boy who weighs 5kg

amazon com harry potter hogwarts model - Apr 11 2023

web harry potter hogwarts express train 3d wood puzzle model figure kit 148 pcs build paint your own 3 d book movie toy holiday educational gift for kids adults no glue required 12 106 2499 save 2 00 with coupon free delivery fri jun 30 on 25 of items shipped by amazon or fastest delivery tue jun 27

hogwarts express 3d wood model quizzic alley licensed harry potter - Nov 06 2022

web bring platform 9 3 4 to you with this hogwarts express 3d wood model paired with step by step instructions and an awesome booklet that takes you behind the scenes of the films this wood model is fun to build and learn from no tools or glue required uses laser cut fsc r certified wood sheet ages 12 difficulty very difficult

[incredibuilds harry potter hogwarts express book and 3d wood model](#) - Feb 09 2023

web incredibuilds harry potter hogwarts express book and 3d wood model incredibuilds on amazon com au free shipping on eligible orders incredibuilds harry potter hogwarts express book and 3d wood model

amazon com hogwarts model - Apr 30 2022

web harry potter hogwarts express train 3d wood puzzle model figure kit 148 pcs build paint your own 3 d book movie toy holiday educational gift for kids adults no glue required 12 4 2 out of 5 stars 106

incredibuilds harry potter hogwarts express book and 3d wood model - Jun 13 2023

web incredibuilds harry potter hogwarts express book and 3d wood model a behind the scenes guide to the magical train 9781682982310 amazon com books account lists returns automotive home improvement 19 77 free delivery december 21 28 details may arrive after christmas need a gift sooner send an amazon gift card instantly by

shop for incredibuilds harry potter hogwarts express book and 3d wood - May 12 2023

web shop online for incredibuilds harry potter hogwarts express book and 3d wood model on virgin megastore uae browse a massive range and enjoy a 0 interest plan free delivery over 200 aed check our latest products and get them delivered anywhere in the uae or collect in any of our stores today

ugears hogwarts express diy wooden train model kit - Jul 02 2022

web new wooden 3d puzzle ugears hogwarts express the train model kit from harry potter series moves without batteries

assemble without glue the perfect gift for any age

harry potter hogwarts express 3d model book very co uk - Jun 01 2022

web harry potter hogwarts express 3d model book build and customize your own 3d model of the hogwarts express with this deluxe model set featuring a full colour booklet of behind the scenes facts from the beloved harry potter films

harry potter hogwarts express train 3d wood puzzle model - Aug 15 2023

web mar 8 2018 about this item the incredibuilds harry potter hogwarts express book and 3d wood model figure kit features a do it yourself paintable customizable and collectible 3 d wooden toy model train based on the hit book series and movie franchise

harry potter hogwarts express book 3d wood model a - Feb 26 2022

web compra harry potter hogwarts express book 3d wood model a behind the scenes guide to the magical train hogwarts express book and 3d wood model spedizione gratuita su ordini idonei

harry potter hogwarts express book 3d wood model a - Oct 05 2022

web 1 usado de 1 468 75 4 nuevo de 578 00 build and customize your own 3d model of the hogwarts express with this deluxe model set featuring a full color booklet of behind the scenes facts from the beloved harry potter films build your own hogwarts express

incredibuilds harry potter hogwarts express book and 3d wood model - Jul 14 2023

web build and customize your own 3d model of the hogwarts express with this deluxe model set featuring a full color booklet of behind the scenes facts from the beloved harry potter films p build your own hogwarts express p in the harry potter films young witches and wizards travel to hogwarts school of witchcraft and wizardry via the

hogwarts 3d printing models cgtrader - Dec 27 2021

web 345 hogwarts 3d print models available for download in stl obj and other file formats ready for printing with fdm sls and other 3d printers harry 362 harry potter 331 magic 309 fantasy 287 games 231 toys 214 wand 202 harrypotter 184 games toys 183 hogwarts 3d models

hogwarts express download free 3d model by cgbilz - Aug 03 2022

web dec 9 2020 hogwarts express 3d model cgbilz 77 1 4k 4 download 3d model triangles 172 5k vertices 86 3k more model information naturally the prompt for this one is train sets

incredibuilds harry potter hogwarts express book and 3d wood model - Sep 04 2022

web build and customize your own 3d model of the hogwarts express with this deluxe model set featuring a full color booklet of behind the scenes facts from the beloved harry potter films build your own hogwarts express

incredibuilds harry potter hogwarts express book and 3d wood model - Mar 10 2023

web the wood model is easy to assemble and snaps together to form a dynamic displayable version of the hogwarts express that fans can color and craft any way they want includes laser cut fsc certified wood sheet with easy to assemble pieces step by step instructions coloring and crafting ideas and a hogwarts express booklet format

incredibuilds harry potter hogwarts express book and 3d wood model - Jan 08 2023

web the wood model is easy to assemble and snaps together to form a dynamic displayable version of the hogwarts express that fans can color and craft any way they want includes laser cut

hogwarts express wooden puzzle harry potter 3d puzzle kit wood - Jan 28 2022

web product details spare parts service harry potter hogwarts express with magical functions wagons included passenger cars coal tender advanced difficulty level with easy to understand picture by picture instructions 504 components provide about 7 hours of pure crafting fun no tools or glue needed

hogwarts express 3d models to print yeggi - Mar 30 2022

web 1921 hogwarts express 3d models every day new 3d models from all over the world click to find the best results for hogwarts express models for your 3d printer

incredibuilds harry potter hogwarts express book and 3d wood model - Dec 07 2022

web incredibuilds harry potter hogwarts express book and 3d wood model a behind the scenes guide to the magical train paperback 14 august 2018 by insight editions author 4 5 4 5 out of 5 stars 159 ratings

[kion multigas 2000](#) - Jan 07 2023

web siemens elema ab important kion kion i 1 2 e382 e392e 061 01 02 02 1 important general service documentation for the kion kion i anesthesia workstation

kion and kion i service manual 2nd english edition june 2003 - Jan 27 2022

web siemens kion service manual free ebook download as pdf file pdf text file txt or read book online for free service manual siemens kion

siemens kion manuals and documents medical medwrench - Sep 22 2021

siemens kion service manual pdf pdf power - Apr 10 2023

web jan 25 2020 refer to the kion user s manual display user s manual 2 connect a water trap and a sampling tube 6 select calibration 3 power up the kion system and

siemens kion multigas 2000 service manual manualmachine com - Mar 09 2023

web siemens abbreviations used in this manual kmg 2000 kion multigas 2000 kion display siemens patient care monitors e g sc 7000 or sc 9000xl installation

siemens kion service manual addendum archive org - Feb 25 2022

web here you will find the full range of appliance documentation including user manuals installations manuals and other appliance related documents you can access and

[siemens kion repair ifixit](#) - Oct 04 2022

web siemens kion i represents kion i anesthesia workstation service contract refers to the the information in this service manual is based service contract supplied by on

[manualmachine com](#) - Aug 02 2022

web mts 99 0011 siemens elema ab 4 kion service manual addendum 1999 11 15 troubleshooting the text below is a revised version of recommended actions if the

[siemens kion multigas 2000 service manual pdf scribd](#) - Feb 08 2023

web siemens kion kion i service manual pdf medwrench home all categories surgical anesthesia equipment anesthesia gas machine siemens kion

[siemens kion service manual pdf power supply valve](#) - Oct 24 2021

kion kion i anesthesia workstation service manual ewh - Jul 13 2023

web the operating manual is an indispensable complement to the service manual for proper servicing service manual installation instructions spare parts information

siemens kion service manual manualmachine com - Mar 29 2022

web instruction manuals enter your model number e nr below to access the instruction manual and other documentation for your appliance the model number can be found on

siemens kion kion i service manual archive org - May 11 2023

web this service manual is also intended to give information how to perform preventive maintenance and to make functional checks and calibrations documentation for the

siemens kion community manuals and specifications - Sep 03 2022

web siemens kion i manuals user guides user manuals guides and specifications for your siemens kion i desktop database contains 1 siemens kion i manuals

siemens kion i manuals user guides all guides com - May 31 2022

web siemens kion service manual addendum due to a planned power outage on friday 1 14 between 8am 1pm pst some services may be impacted

[siemens kion service manual pdf pdf power supply scribd](#) - Jul 01 2022

web view and download siemens kion instruction manual online

instruction manuals siemens uk siemens home appliances - Dec 26 2021

web siemens kion manuals documents kion service manual addendum kion kion i service manual siemens kion by siemens product details forums documents

service manual addendum 1999 11 15 pdf scribd - Apr 29 2022

web the kion monitor is used not only for clinical information but also for displaying technical information during pre use check calibration and troubleshooting of the kion

siemens kion kion i service manual pdf medwrench - Dec 06 2022

web a system for the most demanding needs in anesthesia delivery patient monitoring and data management it s based on a truly modular concept to enable flexible system tailoring

siemens kion service manual studylib net - Jun 12 2023

web siemens kion kion i service manual free download borrow and streaming internet archive an illustration of a magnifying glass an illustration of a horizontal line over an up

siemens kion service manual pdf download - Aug 14 2023

web ewh s bmet library kion kion i anesthesia workstation service manual login ewh s bmet library home user manuals siemens

archive org - Nov 05 2022

web important general 1 service documentation for the kion kion i anesthesia workstation consists of operating manual the operating manual is an indispensable

user manual siemens home - Nov 24 2021

Delve into the emotional tapestry woven by in **Where Can You Find A Diagram Of 2 0 Chevrolet Tracker Engine** . This ebook, available for download in a PDF format (Download in PDF: *), is more than just words on a page; itis a journey of connection and profound emotion. Immerse yourself in narratives that tug at your heartstrings. Download now to experience the pulse of each page and let your emotions run wild.

https://offsite.creighton.edu/files/virtual-library/Documents/ideas_for_church_homecoming.pdf

https://offsite.creighton.edu/files/virtual-library/Documents/identity_in_christ_verses_pdf.pdf

https://offsite.creighton.edu/files/virtual-library/Documents/how_to_use_a_pendulum_chart.pdf

Table of Contents Where Can You Find A Diagram Of 2 0 Chevrolet Tracker Engine

1. Understanding the eBook Where Can You Find A Diagram Of 2 0 Chevrolet Tracker Engine
 - The Rise of Digital Reading Where Can You Find A Diagram Of 2 0 Chevrolet Tracker Engine
 - Advantages of eBooks Over Traditional Books
2. Identifying Where Can You Find A Diagram Of 2 0 Chevrolet Tracker Engine
 - Exploring Different Genres
 - Considering Fiction vs. Non-Fiction
 - Determining Your Reading Goals
3. Choosing the Right eBook Platform
 - Popular eBook Platforms
 - Features to Look for in an Where Can You Find A Diagram Of 2 0 Chevrolet Tracker Engine
 - User-Friendly Interface
4. Exploring eBook Recommendations from Where Can You Find A Diagram Of 2 0 Chevrolet Tracker Engine
 - Personalized Recommendations

Where Can You Find A Diagram Of 2 0 Chevrolet Tracker Engine

- Where Can You Find A Diagram Of 2 0 Chevrolet Tracker Engine User Reviews and Ratings
- Where Can You Find A Diagram Of 2 0 Chevrolet Tracker Engine and Bestseller Lists
- 5. Accessing Where Can You Find A Diagram Of 2 0 Chevrolet Tracker Engine Free and Paid eBooks
 - Where Can You Find A Diagram Of 2 0 Chevrolet Tracker Engine Public Domain eBooks
 - Where Can You Find A Diagram Of 2 0 Chevrolet Tracker Engine eBook Subscription Services
 - Where Can You Find A Diagram Of 2 0 Chevrolet Tracker Engine Budget-Friendly Options
- 6. Navigating Where Can You Find A Diagram Of 2 0 Chevrolet Tracker Engine eBook Formats
 - ePub, PDF, MOBI, and More
 - Where Can You Find A Diagram Of 2 0 Chevrolet Tracker Engine Compatibility with Devices
 - Where Can You Find A Diagram Of 2 0 Chevrolet Tracker Engine Enhanced eBook Features
- 7. Enhancing Your Reading Experience
 - Adjustable Fonts and Text Sizes of Where Can You Find A Diagram Of 2 0 Chevrolet Tracker Engine
 - Highlighting and Note-Taking Where Can You Find A Diagram Of 2 0 Chevrolet Tracker Engine
 - Interactive Elements Where Can You Find A Diagram Of 2 0 Chevrolet Tracker Engine
- 8. Staying Engaged with Where Can You Find A Diagram Of 2 0 Chevrolet Tracker Engine
 - Joining Online Reading Communities
 - Participating in Virtual Book Clubs
 - Following Authors and Publishers Where Can You Find A Diagram Of 2 0 Chevrolet Tracker Engine
- 9. Balancing eBooks and Physical Books Where Can You Find A Diagram Of 2 0 Chevrolet Tracker Engine
 - Benefits of a Digital Library
 - Creating a Diverse Reading Collection Where Can You Find A Diagram Of 2 0 Chevrolet Tracker Engine
- 10. Overcoming Reading Challenges
 - Dealing with Digital Eye Strain
 - Minimizing Distractions
 - Managing Screen Time
- 11. Cultivating a Reading Routine Where Can You Find A Diagram Of 2 0 Chevrolet Tracker Engine
 - Setting Reading Goals Where Can You Find A Diagram Of 2 0 Chevrolet Tracker Engine
 - Carving Out Dedicated Reading Time
- 12. Sourcing Reliable Information of Where Can You Find A Diagram Of 2 0 Chevrolet Tracker Engine
 - Fact-Checking eBook Content of Where Can You Find A Diagram Of 2 0 Chevrolet Tracker Engine

- Distinguishing Credible Sources
13. Promoting Lifelong Learning
- Utilizing eBooks for Skill Development
 - Exploring Educational eBooks
14. Embracing eBook Trends
- Integration of Multimedia Elements
 - Interactive and Gamified eBooks

Where Can You Find A Diagram Of 2 0 Chevrolet Tracker Engine Introduction

Free PDF Books and Manuals for Download: Unlocking Knowledge at Your Fingertips In todays fast-paced digital age, obtaining valuable knowledge has become easier than ever. Thanks to the internet, a vast array of books and manuals are now available for free download in PDF format. Whether you are a student, professional, or simply an avid reader, this treasure trove of downloadable resources offers a wealth of information, conveniently accessible anytime, anywhere. The advent of online libraries and platforms dedicated to sharing knowledge has revolutionized the way we consume information. No longer confined to physical libraries or bookstores, readers can now access an extensive collection of digital books and manuals with just a few clicks. These resources, available in PDF, Microsoft Word, and PowerPoint formats, cater to a wide range of interests, including literature, technology, science, history, and much more. One notable platform where you can explore and download free Where Can You Find A Diagram Of 2 0 Chevrolet Tracker Engine PDF books and manuals is the internets largest free library. Hosted online, this catalog compiles a vast assortment of documents, making it a veritable goldmine of knowledge. With its easy-to-use website interface and customizable PDF generator, this platform offers a user-friendly experience, allowing individuals to effortlessly navigate and access the information they seek. The availability of free PDF books and manuals on this platform demonstrates its commitment to democratizing education and empowering individuals with the tools needed to succeed in their chosen fields. It allows anyone, regardless of their background or financial limitations, to expand their horizons and gain insights from experts in various disciplines. One of the most significant advantages of downloading PDF books and manuals lies in their portability. Unlike physical copies, digital books can be stored and carried on a single device, such as a tablet or smartphone, saving valuable space and weight. This convenience makes it possible for readers to have their entire library at their fingertips, whether they are commuting, traveling, or simply enjoying a lazy afternoon at home. Additionally, digital files are easily searchable, enabling readers to locate specific information within seconds. With a few keystrokes, users can search for keywords, topics, or phrases, making research and finding relevant information a breeze. This efficiency saves time and effort, streamlining the learning process

Where Can You Find A Diagram Of 2 0 Chevrolet Tracker Engine

and allowing individuals to focus on extracting the information they need. Furthermore, the availability of free PDF books and manuals fosters a culture of continuous learning. By removing financial barriers, more people can access educational resources and pursue lifelong learning, contributing to personal growth and professional development. This democratization of knowledge promotes intellectual curiosity and empowers individuals to become lifelong learners, promoting progress and innovation in various fields. It is worth noting that while accessing free Where Can You Find A Diagram Of 2 0 Chevrolet Tracker Engine PDF books and manuals is convenient and cost-effective, it is vital to respect copyright laws and intellectual property rights. Platforms offering free downloads often operate within legal boundaries, ensuring that the materials they provide are either in the public domain or authorized for distribution. By adhering to copyright laws, users can enjoy the benefits of free access to knowledge while supporting the authors and publishers who make these resources available. In conclusion, the availability of Where Can You Find A Diagram Of 2 0 Chevrolet Tracker Engine free PDF books and manuals for download has revolutionized the way we access and consume knowledge. With just a few clicks, individuals can explore a vast collection of resources across different disciplines, all free of charge. This accessibility empowers individuals to become lifelong learners, contributing to personal growth, professional development, and the advancement of society as a whole. So why not unlock a world of knowledge today? Start exploring the vast sea of free PDF books and manuals waiting to be discovered right at your fingertips.

FAQs About Where Can You Find A Diagram Of 2 0 Chevrolet Tracker Engine Books

What is a Where Can You Find A Diagram Of 2 0 Chevrolet Tracker Engine PDF? A PDF (Portable Document Format) is a file format developed by Adobe that preserves the layout and formatting of a document, regardless of the software, hardware, or operating system used to view or print it. **How do I create a Where Can You Find A Diagram Of 2 0 Chevrolet Tracker Engine PDF?** There are several ways to create a PDF: Use software like Adobe Acrobat, Microsoft Word, or Google Docs, which often have built-in PDF creation tools. Print to PDF: Many applications and operating systems have a "Print to PDF" option that allows you to save a document as a PDF file instead of printing it on paper. Online converters: There are various online tools that can convert different file types to PDF. **How do I edit a Where Can You Find A Diagram Of 2 0 Chevrolet Tracker Engine PDF?** Editing a PDF can be done with software like Adobe Acrobat, which allows direct editing of text, images, and other elements within the PDF. Some free tools, like PDFescape or Smallpdf, also offer basic editing capabilities. **How do I convert a Where Can You Find A Diagram Of 2 0 Chevrolet Tracker Engine PDF to another file format?** There are multiple ways to convert a PDF to another format: Use online converters like Smallpdf, Zamzar, or Adobe Acrobat's export feature to convert PDFs to formats like Word, Excel, JPEG, etc. Software

Where Can You Find A Diagram Of 2 0 Chevrolet Tracker Engine

like Adobe Acrobat, Microsoft Word, or other PDF editors may have options to export or save PDFs in different formats. **How do I password-protect a Where Can You Find A Diagram Of 2 0 Chevrolet Tracker Engine PDF?** Most PDF editing software allows you to add password protection. In Adobe Acrobat, for instance, you can go to "File" -> "Properties" -> "Security" to set a password to restrict access or editing capabilities. Are there any free alternatives to Adobe Acrobat for working with PDFs? Yes, there are many free alternatives for working with PDFs, such as: LibreOffice: Offers PDF editing features. PDFsam: Allows splitting, merging, and editing PDFs. Foxit Reader: Provides basic PDF viewing and editing capabilities. How do I compress a PDF file? You can use online tools like Smallpdf, ILovePDF, or desktop software like Adobe Acrobat to compress PDF files without significant quality loss. Compression reduces the file size, making it easier to share and download. Can I fill out forms in a PDF file? Yes, most PDF viewers/editors like Adobe Acrobat, Preview (on Mac), or various online tools allow you to fill out forms in PDF files by selecting text fields and entering information. Are there any restrictions when working with PDFs? Some PDFs might have restrictions set by their creator, such as password protection, editing restrictions, or print restrictions. Breaking these restrictions might require specific software or tools, which may or may not be legal depending on the circumstances and local laws.

Find Where Can You Find A Diagram Of 2 0 Chevrolet Tracker Engine :

~~ideas for church homecoming~~

~~identity in christ verses pdf~~

~~how to use a pendulum chart~~

~~human digestive system worksheet~~

~~i am the bread of life ocp~~

~~hulk feels cold~~

~~hurrem sultan real~~

how to use a spreader

~~iep smart goals examples~~

~~if i ran the zoo coloring pages~~

~~i won't let my daughter go to homecoming~~

human body systems webquest

~~ied 10 cm 2023 the complete official codebook with guidelines~~

~~i will teach you in spanish~~

~~hunger games step off early~~

Where Can You Find A Diagram Of 2 0 Chevrolet Tracker Engine

Where Can You Find A Diagram Of 2 0 Chevrolet Tracker Engine :