

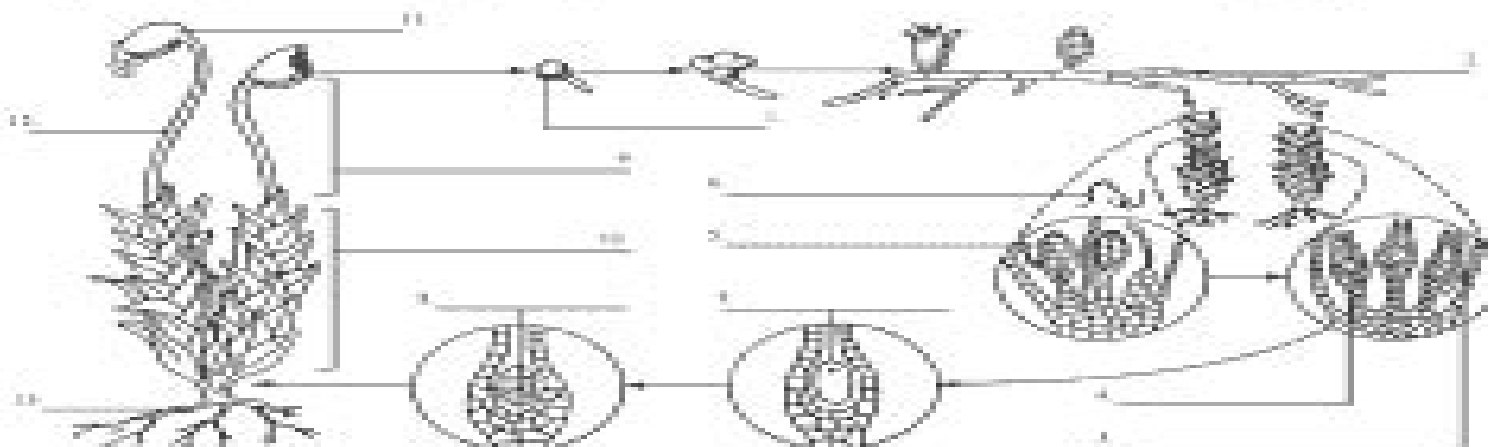
Worksheet

Moss - Fern Life Cycle

Procedure:

During reproduction, mosses exhibit alternation of generations in which a gametophyte generation gives rise to a sporophyte generation that, in turn, gives rise to another gametophyte generation. The leafy, green forms of mosses are the gametophytes, and the stalks are the sporophytes.

A. Study the diagram below showing the life cycle of a moss. Label each of the structures in the space provided.



B. Answer the following questions.

1. What composes a gametophyte?
2. What composes a sporophyte?
3. What is produced in the antheridium? _____, in the archegonium? _____
4. How does a zygote form? _____, is it haploid or diploid? _____
5. What develops from a zygote?
6. Spores develop within sporophytes that are diploid, but the spores are haploid when released. What caused this change?
7. What is the function of protonema?
8. What evidence indicates that the mosses evolved from the green algae?

Chapter 22 Plant Diversity Guided Reading Answer Key

**Lisa A. Urry, Michael L. Cain, Steven A.
Wasserman, Jane B. Reece, Peter V.
Minorsky**

Chapter 22 Plant Diversity Guided Reading Answer Key

Model Rules of Professional Conduct American Bar Association. House of Delegates, Center for Professional Responsibility (American Bar Association), 2007 The Model Rules of Professional Conduct provides an up to date resource for information on legal ethics Federal state and local courts in all jurisdictions look to the Rules for guidance in solving lawyer malpractice cases disciplinary actions disqualification issues sanctions questions and much more In this volume black letter Rules of Professional Conduct are followed by numbered Comments that explain each Rule s purpose and provide suggestions for its practical application The Rules will help you identify proper conduct in a variety of given situations review those instances where discretionary action is possible and define the nature of the relationship between you and your clients colleagues and the courts

Demons in Eden Jonathan Silvertown, 2008-11-15 At the heart of evolution lies a bewildering paradox Natural selection favors above all the individual that leaves the most offspring a superorganism of sorts that Jonathan Silvertown here calls the Darwinian demon But if such a demon existed this highly successful organism would populate the entire world with its own kind beating out other species and eventually extinguishing biodiversity as we know it Why then if evolution favors this demon is the world filled with so many different life forms What keeps this Darwinian demon in check If humankind is now the greatest threat to biodiversity on the planet have we become the Darwinian demon *Demons in Eden* considers these questions using the latest scientific discoveries from the plant world Readers join Silvertown as he explores the astonishing diversity of plant life in regions as spectacular as the verdant climes of Japan the lush grounds of the Royal Botanical Gardens at Kew the shallow wetlands and teeming freshwaters of Florida the tropical rainforests of southeast Mexico and the Canary Islands archipelago whose evolutionary novelties and exotic plant life have earned it the sobriquet the Galapagos of botany Along the way Silvertown looks closely at the evolution of plant diversity in these locales and explains why such variety persists in light of ecological patterns and evolutionary processes In novel and useful ways he also investigates the current state of plant diversity on the planet to show the ever challenging threats posed by invasive species and humans Bringing the secret life of plants into more colorful and vivid focus than ever before *Demons in Eden* is an empathic and impassioned exploration of modern plant ecology that unlocks evolutionary mysteries of the natural world

Modern Biology Towle, Albert Towle, 1991

Molecular Biology of The Cell Bruce Alberts, 2002

What a Plant Knows Daniel Chamovitz, 2012-05-22 Explores the secret lives of various plants from the colors they see to whether or not they really like classical music to their ability to sense nearby danger

NUREG/CR. U.S. Nuclear Regulatory Commission, 1977

Concepts of Biology Samantha Fowler, Rebecca Roush, James Wise, 2018-01-07 *Concepts of Biology* is designed for the single semester introduction to biology course for non science majors which for many students is their only college level science course As such this course represents an important opportunity for students to develop the necessary knowledge tools and skills to make informed decisions as they continue with their lives Rather than being mired down with facts and vocabulary the typical non science major student needs information presented in a way that is easy to read and understand Even more importantly the content should be meaningful Students do much better when they understand why biology is relevant to their everyday lives For these reasons *Concepts of Biology* is grounded on an evolutionary basis and includes exciting features that highlight careers in the biological sciences and everyday applications of the concepts at hand We also strive to show the interconnectedness of topics within this extremely broad discipline In order to meet the needs of today s instructors and students we maintain the overall organization and coverage found in most syllabi for this course A strength of *Concepts of Biology* is that instructors can customize the book adapting it to the approach that works best in their classroom *Concepts of Biology* also includes an innovative art program that incorporates critical thinking and clicker questions to help students understand and apply key concepts

Species Diversity in Space and Time Michael L. Rosenzweig, 1995-05-04 Biodiversity

Biology for AP ® Courses Julianne Zedalis, John Eggebrecht, 2017-10-16 *Biology for AP* courses covers the scope and sequence requirements of a typical two semester Advanced Placement biology course The text provides comprehensive coverage of foundational research and core biology concepts through an evolutionary lens *Biology for AP Courses* was designed to meet and exceed the requirements of the College Board s AP Biology framework while allowing significant flexibility for instructors Each section of the book includes an introduction based on the AP curriculum and includes rich features that engage students in scientific practice and AP test preparation it also highlights careers and research opportunities in biological sciences

Handbook of Trait-Based Ecology Francesco de Bello, Carlos P. Carmona, André T. C. Dias, Lars Götzenberger, Marco Moretti, Matty P. Berg, 2021-03-11 Trait based ecology is rapidly expanding This comprehensive and accessible guide covers the main concepts and tools in functional ecology

A Framework for K-12 Science Education National Research Council, Division of Behavioral and Social Sciences and Education, Board on Science Education, Committee on a Conceptual Framework for New K-12 Science Education Standards, 2012-02-28 Science engineering and technology permeate nearly every facet of modern life and hold the key to solving many of humanity's most pressing current and future challenges. The United States position in the global economy is declining in part because U.S. workers lack fundamental knowledge in these fields. To address the critical issues of U.S. competitiveness and to better prepare the workforce, *A Framework for K-12 Science Education* proposes a new approach to K-12 science education that will capture students' interest and provide them with the necessary foundational knowledge in the field. *A Framework for K-12 Science Education* outlines a broad set of expectations for students in science and engineering in grades K-12. These expectations will inform the development of new standards for K-12 science education and subsequently revisions to curriculum, instruction, assessment, and professional development for educators. This book identifies three dimensions that convey the core ideas and practices around which science and engineering education in these grades should be built. These three dimensions are crosscutting concepts that unify the study of science through their common application across science and engineering: scientific and engineering practices and disciplinary core ideas in the physical sciences, life sciences, and earth and space sciences; and for engineering, technology, and the applications of science. The overarching goal is for all high school graduates to have sufficient knowledge of science and engineering to engage in public discussions on science-related issues, be careful consumers of scientific and technical information, and enter the careers of their choice. *A Framework for K-12 Science Education* is the first step in a process that can inform state-level decisions and achieve a research-grounded basis for improving science instruction and learning across the country. The book will guide standards developers, teachers, curriculum designers, assessment developers, state and district science administrators, and educators who teach science in informal environments.

Plant Breeding Abstracts, 1997

The Botany of Desire Michael Pollan, 2002-05-28 Pollan shines a light on our own nature as well as on our implication in the natural world. *The New York Times*, *A* wry informed pastoral, *The New Yorker*. The book that helped make Michael Pollan the *New York Times* bestselling author of *How to Change Your Mind*, *Cooked*, and *The Omnivore's Dilemma*, one of the most trusted food experts in America. Every schoolchild learns about the mutually beneficial dance of honeybees and flowers. The bee collects nectar and pollen to make honey, and in the process spreads the flowers' genes far and wide. In *The Botany of Desire*, Michael Pollan ingeniously demonstrates how people and domesticated plants have formed a similarly reciprocal relationship. He masterfully links four fundamental human desires—sweetness, beauty, intoxication, and control—with the plants that satisfy them: the apple, the tulip, marijuana, and the potato. In telling the stories of four familiar species, Pollan illustrates how the plants have evolved to satisfy humankind's most basic yearnings. And just as we've benefited from these plants, we have also done well by them. So who is really domesticating whom?

Inanimate Life George M. Briggs, 2021-07-16

School, Family, and Community Partnerships Joyce L. Epstein, Mavis G. Sanders, Steven B. Sheldon, Beth S. Simon, Karen Clark Salinas, Natalie Rodriguez Jansorn, Frances L. Van Voorhis, Cecelia S. Martin, Brenda G. Thomas, Marsha D. Greenfeld, Darcy J. Hutchins, Kenyatta J. Williams, 2018-07-19 Strengthen programs of family and community engagement to promote equity and increase student success When schools families and communities collaborate and share responsibility for students education more students succeed in school Based on 30 years of research and fieldwork the fourth edition of the bestseller *School Family and Community Partnerships Your Handbook for Action* presents tools and guidelines to help develop more effective and more equitable programs of family and community engagement Written by a team of well known experts it provides a theory and framework of six types of involvement for action up to date research on school family and community collaboration and new materials for professional development and on going technical assistance Readers also will find Examples of best practices on the six types of involvement from preschools and elementary middle and high schools Checklists templates and evaluations to plan goal linked partnership programs and assess progress CD ROM with slides and notes for two presentations A new awareness session to orient colleagues on the major components of a research based partnership program and a full One Day Team Training Workshop to prepare school teams to develop their partnership programs As a foundational text this handbook demonstrates a proven approach to implement and sustain inclusive goal linked programs of partnership It shows how a good partnership program is an essential component of good school organization and school improvement for student success This book will help every district and all schools strengthen and continually improve their programs of family and community engagement

An Introduction to Botany Carl von Linné, James Lee, 1776

Preparing for the Biology AP Exam Neil A. Campbell, Jane B. Reece, Fred W. Holtzclaw, Theresa Knapp Holtzclaw, 2009-11-03 Fred and Theresa Holtzclaw bring over 40 years of AP Biology teaching experience to this student manual Drawing on their rich experience as readers and faculty consultants to the College Board and their participation on the AP Test Development Committee the Holtzclaws have designed their resource to help your students prepare for the AP Exam Completely revised to match the new 8th edition of *Biology* by Campbell and Reece New Must Know sections in each chapter focus student attention on major concepts Study tips information organization ideas and misconception warnings are interwoven throughout New section reviewing the 12 required AP labs Sample practice exams The secret to success on the AP Biology exam is to understand what you must know and these experienced AP teachers will guide your students toward top scores

Managing Global Genetic Resources National Research Council, Board on Agriculture, Committee on Managing Global Genetic Resources: Agricultural Imperatives, 1993-02-01 This anchor volume to the series *Managing Global Genetic Resources* examines the structure that underlies efforts to preserve genetic material including the worldwide network of genetic collections the role of biotechnology and a host of issues that surround management and use Among the topics explored are in situ versus ex situ conservation management of very large collections of genetic material problems of quarantine the controversy over ownership or copyright of genetic material and more

Campbell Biology, Books a la Carte Edition Lisa A. Urry, Michael L. Cain, Steven A. Wasserman, Jane B. Reece, Peter V. Minorsky, 2016-10-27 NOTE This edition features the same content as the traditional text in a convenient three hole punched loose leaf version Books a la Carte also offer a great value this format costs significantly less than a new textbook The Eleventh Edition of the best selling text Campbell BIOLOGY sets you on the path to success in biology through its clear and engaging narrative superior skills instruction and innovative use of art photos and fully integrated media resources to enhance teaching and learning To engage you in developing a deeper understanding of biology the Eleventh Edition challenges you to apply knowledge and skills to a variety of NEW hands on activities and exercises in the text and online NEW Problem Solving Exercises challenge you to apply scientific skills and interpret data in the context of solving a real world problem NEW Visualizing Figures and Visual Skills Questions provide practice interpreting and creating visual representations in biology NEW Content updates throughout the text reflect rapidly evolving research in the fields of genomics gene editing technology CRISPR microbiomes the impacts of climate change across the biological hierarchy and more Significant revisions have been made to Unit 8 Ecology including a deeper integration of evolutionary principles NEW A virtual layer to the print text incorporates media references into the printed text to direct you towards content in the Study Area and eText that will help you prepare for class and succeed in exams Videos Animations Get Ready for This Chapter Figure Walkthroughs Vocabulary Self Quizzes Practice Tests MP3 Tutors and Interviews Coming summer 2017 NEW QR codes and URLs within the Chapter Review provide easy access to Vocabulary Self Quizzes and Practice Tests for each chapter that can be used on smartphones tablets and computers

Biologist ,1983

Whispering the Techniques of Language: An Emotional Quest through **Chapter 22 Plant Diversity Guided Reading Answer Key**

In a digitally-driven world wherever monitors reign great and immediate interaction drowns out the subtleties of language, the profound strategies and emotional nuances hidden within words often get unheard. Yet, situated within the pages of **Chapter 22 Plant Diversity Guided Reading Answer Key** a captivating literary treasure sporting with natural emotions, lies an extraordinary journey waiting to be undertaken. Published by an experienced wordsmith, that marvelous opus attracts visitors on an introspective trip, gently unraveling the veiled truths and profound influence resonating within ab muscles cloth of each and every word. Within the mental depths of the touching evaluation, we shall embark upon a heartfelt exploration of the book is primary styles, dissect its fascinating writing type, and yield to the powerful resonance it evokes strong within the recesses of readers hearts.

https://offsite.creighton.edu/book/publication/default.aspx/how_many_word_knowledge_questions_are_on_the_asvab.pdf
<https://offsite.creighton.edu/book/publication/default.aspx/how%20many%20steps%20are%20in%20protein%20synthesis.pdf>
<https://offsite.creighton.edu/book/publication/default.aspx/how%20many%20questions%20are%20on%20the%20arrt%20exam.pdf>

Table of Contents Chapter 22 Plant Diversity Guided Reading Answer Key

1. Understanding the eBook Chapter 22 Plant Diversity Guided Reading Answer Key
 - The Rise of Digital Reading Chapter 22 Plant Diversity Guided Reading Answer Key
 - Advantages of eBooks Over Traditional Books
2. Identifying Chapter 22 Plant Diversity Guided Reading Answer Key
 - Exploring Different Genres
 - Considering Fiction vs. Non-Fiction
 - Determining Your Reading Goals
3. Choosing the Right eBook Platform
 - Popular eBook Platforms
 - Features to Look for in an Chapter 22 Plant Diversity Guided Reading Answer Key
 - User-Friendly Interface

Chapter 22 Plant Diversity Guided Reading Answer Key

4. Exploring eBook Recommendations from Chapter 22 Plant Diversity Guided Reading Answer Key
 - Personalized Recommendations
 - Chapter 22 Plant Diversity Guided Reading Answer Key User Reviews and Ratings
 - Chapter 22 Plant Diversity Guided Reading Answer Key and Bestseller Lists
5. Accessing Chapter 22 Plant Diversity Guided Reading Answer Key Free and Paid eBooks
 - Chapter 22 Plant Diversity Guided Reading Answer Key Public Domain eBooks
 - Chapter 22 Plant Diversity Guided Reading Answer Key eBook Subscription Services
 - Chapter 22 Plant Diversity Guided Reading Answer Key Budget-Friendly Options
6. Navigating Chapter 22 Plant Diversity Guided Reading Answer Key eBook Formats
 - ePub, PDF, MOBI, and More
 - Chapter 22 Plant Diversity Guided Reading Answer Key Compatibility with Devices
 - Chapter 22 Plant Diversity Guided Reading Answer Key Enhanced eBook Features
7. Enhancing Your Reading Experience
 - Adjustable Fonts and Text Sizes of Chapter 22 Plant Diversity Guided Reading Answer Key
 - Highlighting and Note-Taking Chapter 22 Plant Diversity Guided Reading Answer Key
 - Interactive Elements Chapter 22 Plant Diversity Guided Reading Answer Key
8. Staying Engaged with Chapter 22 Plant Diversity Guided Reading Answer Key
 - Joining Online Reading Communities
 - Participating in Virtual Book Clubs
 - Following Authors and Publishers Chapter 22 Plant Diversity Guided Reading Answer Key
9. Balancing eBooks and Physical Books Chapter 22 Plant Diversity Guided Reading Answer Key
 - Benefits of a Digital Library
 - Creating a Diverse Reading Collection Chapter 22 Plant Diversity Guided Reading Answer Key
10. Overcoming Reading Challenges
 - Dealing with Digital Eye Strain
 - Minimizing Distractions
 - Managing Screen Time
11. Cultivating a Reading Routine Chapter 22 Plant Diversity Guided Reading Answer Key
 - Setting Reading Goals Chapter 22 Plant Diversity Guided Reading Answer Key
 - Carving Out Dedicated Reading Time

12. Sourcing Reliable Information of Chapter 22 Plant Diversity Guided Reading Answer Key
 - Fact-Checking eBook Content of Chapter 22 Plant Diversity Guided Reading Answer Key
 - Distinguishing Credible Sources
13. Promoting Lifelong Learning
 - Utilizing eBooks for Skill Development
 - Exploring Educational eBooks
14. Embracing eBook Trends
 - Integration of Multimedia Elements
 - Interactive and Gamified eBooks

Chapter 22 Plant Diversity Guided Reading Answer Key Introduction

Chapter 22 Plant Diversity Guided Reading Answer Key Offers over 60,000 free eBooks, including many classics that are in the public domain. Open Library: Provides access to over 1 million free eBooks, including classic literature and contemporary works. Chapter 22 Plant Diversity Guided Reading Answer Key Offers a vast collection of books, some of which are available for free as PDF downloads, particularly older books in the public domain. Chapter 22 Plant Diversity Guided Reading Answer Key : This website hosts a vast collection of scientific articles, books, and textbooks. While it operates in a legal gray area due to copyright issues, its a popular resource for finding various publications. Internet Archive for Chapter 22 Plant Diversity Guided Reading Answer Key : Has an extensive collection of digital content, including books, articles, videos, and more. It has a massive library of free downloadable books. Free-eBooks Chapter 22 Plant Diversity Guided Reading Answer Key Offers a diverse range of free eBooks across various genres. Chapter 22 Plant Diversity Guided Reading Answer Key Focuses mainly on educational books, textbooks, and business books. It offers free PDF downloads for educational purposes. Chapter 22 Plant Diversity Guided Reading Answer Key Provides a large selection of free eBooks in different genres, which are available for download in various formats, including PDF. Finding specific Chapter 22 Plant Diversity Guided Reading Answer Key, especially related to Chapter 22 Plant Diversity Guided Reading Answer Key, might be challenging as theyre often artistic creations rather than practical blueprints. However, you can explore the following steps to search for or create your own Online Searches: Look for websites, forums, or blogs dedicated to Chapter 22 Plant Diversity Guided Reading Answer Key, Sometimes enthusiasts share their designs or concepts in PDF format. Books and Magazines Some Chapter 22 Plant Diversity Guided Reading Answer Key books or magazines might include. Look for these in online stores or libraries. Remember that while Chapter 22 Plant Diversity Guided Reading Answer Key, sharing copyrighted material without permission is not legal. Always ensure youre either creating your own or obtaining them from legitimate sources that allow sharing and downloading.

Chapter 22 Plant Diversity Guided Reading Answer Key

Library Check if your local library offers eBook lending services. Many libraries have digital catalogs where you can borrow Chapter 22 Plant Diversity Guided Reading Answer Key eBooks for free, including popular titles. Online Retailers: Websites like Amazon, Google Books, or Apple Books often sell eBooks. Sometimes, authors or publishers offer promotions or free periods for certain books. Authors Website Occasionally, authors provide excerpts or short stories for free on their websites. While this might not be the Chapter 22 Plant Diversity Guided Reading Answer Key full book, it can give you a taste of the authors writing style. Subscription Services Platforms like Kindle Unlimited or Scribd offer subscription-based access to a wide range of Chapter 22 Plant Diversity Guided Reading Answer Key eBooks, including some popular titles.

FAQs About Chapter 22 Plant Diversity Guided Reading Answer Key Books

How do I know which eBook platform is the best for me? Finding the best eBook platform depends on your reading preferences and device compatibility. Research different platforms, read user reviews, and explore their features before making a choice. Are free eBooks of good quality? Yes, many reputable platforms offer high-quality free eBooks, including classics and public domain works. However, make sure to verify the source to ensure the eBook credibility. Can I read eBooks without an eReader? Absolutely! Most eBook platforms offer web-based readers or mobile apps that allow you to read eBooks on your computer, tablet, or smartphone. How do I avoid digital eye strain while reading eBooks? To prevent digital eye strain, take regular breaks, adjust the font size and background color, and ensure proper lighting while reading eBooks. What the advantage of interactive eBooks? Interactive eBooks incorporate multimedia elements, quizzes, and activities, enhancing the reader engagement and providing a more immersive learning experience. Chapter 22 Plant Diversity Guided Reading Answer Key is one of the best book in our library for free trial. We provide copy of Chapter 22 Plant Diversity Guided Reading Answer Key in digital format, so the resources that you find are reliable. There are also many Ebooks of related with Chapter 22 Plant Diversity Guided Reading Answer Key. Where to download Chapter 22 Plant Diversity Guided Reading Answer Key online for free? Are you looking for Chapter 22 Plant Diversity Guided Reading Answer Key PDF? This is definitely going to save you time and cash in something you should think about.

Find Chapter 22 Plant Diversity Guided Reading Answer Key :

[how many word knowledge questions are on the asvab](#)

[how many steps are in protein synthesis](#)

[how many questions are on the arrt exam](#)

how does recrystallization purify

how long does it take to read a christmas carol

how did charles capps die

how to be a person shane koyczan

how much mad honey to take

homework for therapy clients

homosexuality and the bible two views

how does blood travel in the mammalian circulatory system

how do you spell unauthorized

house estimate template

how do the moth larvae survive predators

how hard is the crni exam

Chapter 22 Plant Diversity Guided Reading Answer Key :

learn how to pray the tabernacle or temple prayer with dr david yonggi cho - Oct 03 2023

web jan 27 2012 if you want to pray more effectively then learn how to pray with dr cho in this dvd according to pastor cho tabernacle or temple prayer is a biblical method to worship god and

welcome to tabernacle prayer temple prayer - Apr 28 2023

web tabernacle prayer with dr cho helps you learn how to pray more effectively tabernacle prayer is based on the biblical worship pattern established by god

dr david yonggi cho temple tabernacle prayer - Mar 16 2022

web feb 22 2015 dr david yonggi cho temple tabernacle prayer posted by tgj in february 22 2015 comments off 2 542 views download download 3138 file size 150 51 kb file count 1 create date february 22 2015

david yonggi cho learn how to pray the tabernacle prayer youtube - Aug 01 2023

web jan 23 2012 david yonggi cho website for tabernacle prayer tabernacle prayer com dr cho bookstore tabernacle prayer com dr david yonggi cho book store

tabernacle videos by pastor david yonggi cho temple prayer - Mar 28 2023

web below are the tabernacle prayer teaching videos by dr david yonggi cho dr cho passed away in 2021 for over 50 years he was inspired by god to pray according to the tabernacle pattern dr cho attributes the success of his ministry which became the largest christian church in the world to faithfully worshipping god this way during his

yonggi cho holy spirit my senior partner full pdf - Feb 12 2022

web faith written by dr david yonggi cho learn how to pray tabernacle prayer with dr david yonggi cho the fourth dimension chapter 2 the key to putting your faith to work for a successful life dr yonggi cho know your identity in christ free audio book preview successful home cell groups dr david yonggi cho free audio book

praying the temple prayer cho public edition archive org - Jun 30 2023

web build the tabernacle in the wilderness lord you dwelt there and met your people there the israelites only worshipped you in that tabernacle the tabernacle illustrates your pattern of worship it holds the sequence to draw close to you i desire that intimacy today i thank you for the tabernacle model through moses in jesus and in heaven

what is tabernacle prayer with dr cho 5 eat at the table of - Dec 25 2022

web derek packard 17k subscribers 34k views 11 years ago website for tabernacle prayer tabernacle prayer com dr cho bookstore tabernacle prayer com dr david main

david yonggi cho what is tabernacle prayer youtube - May 30 2023

web 17 1k subscribers subscribe 31k views 11 years ago david yonggi cho website for tabernacle prayer tabernacle prayer com dr cho bookstore

tabernacle prayer with dr cho facebook - Jan 26 2023

web tabernacle prayer with dr cho 561 likes have you seen what is probably the most popular christian prayer teaching on the internet tabernac

learn how to pray tabernacle prayer with dr david yonggi cho - Aug 21 2022

web oct 9 2013 1 2 3 4 5 1 vote this prayer was taught many years ago at that time pastor cho had over 700 000 in his congregation the prayer i use most is the temple prayer everyday i use the temple prayer three or four times even this morning before i came to this service i prayed according to the temple prayer

learn how to pray tabernacle prayer with dr cho facebook - Apr 16 2022

web learn how to pray tabernacle prayer with dr david yonggi cho youtube com watch v cpaujnmurzg utm source contentstudio io utm medium referral

tabernacle prayer by david yonggi cho learn how to pray - Sep 02 2023

web watch as dr david yonggi cho teach about the tabernacle prayer and learn how to pray effectively tabernacle the tabernacle consisted of three divisions th

yonggi cho holy spirit - Oct 23 2022

web two dr david paul yonggi cho s comprehensive spiritual philosophy on the power of dynamic faith is brought together in one place for completeness and ease of reference a senior pastor emeritus of yoido full gospel church in seoul korea dr cho

grounds his belief in his experiences following his conversion to christianity as a young

istanbul tabernacle youtube - May 18 2022

web diffusion des prédications enseignement adoration et louange à istanbul tabernacleselon le message du temps du soir annoncé dans malachie 4

excellent downloads for tabernacle prayer temple prayer - Jul 20 2022

web printable resources include 1 temple of grace prayer guide is a powerful way to see the connection between jesus and the tabernacle 2 a complete written transcript of dr cho s video 3 an illustration of the tabernacle with key words at each station

learn tabernacle prayer with dr cho facebook - Nov 23 2022

web david yonggi cho learn how to pray the tabernacle prayer 2 blood covenant brazen altar

dr cho s dvd course temple prayer - Sep 21 2022

web dr cho says people ask him how he can pray so long here you ll learn his favorite prayer the tabernacle prayer thousands can testify to the life changing power of praying the tabernacle pattern that god gave to moises exodus 25 31 to david

1chronicles 28 29 to solomon 2chronicles 2 8

tabernacle prayer how why and location - Jun 18 2022

web jan 4 2019 as he was praying the lord revealed the tabernacle to him in a way he never saw before the lord showed him how to use the tabernacle as a prayer pattern or a prayer model dr cho then began praying the way he heard and saw he said his whole prayer life dramatically changed

dr david paul yonggi cho learn how to pray the tabernacle prayer - Feb 24 2023

web dr david paul yonggi cho learn how to pray the tabernacle prayer message by yonggi cho thanks for watching

send receive text voice messages in messages messages by google - Apr 02 2023

web send receive text voice messages in messages you can send and receive text messages with friends and contacts on messages important some of these steps only work on android 6 0 and

messenger - Oct 08 2023

web ☐☐ ☐☐ ☐☐ ☐☐ hang out anytime anywhere messenger makes it easy and fun to stay close to your favorite people

messages for web - Jul 05 2023

web use messages for web to send sms mms and rcs messages from your computer open the messages app on your android phone to get started

messages on the app store - Aug 06 2023

web stay connected to the people and conversations that matter most send unlimited texts photos videos documents and

Chapter 22 Plant Diversity Guided Reading Answer Key

more to any ios ipados macos or watchos device with imessage or use it to send sms and mms messages

[change messages notifications settings messages by google](#) - Mar 01 2023

web stop sound notifications when you send messages turn off hear outgoing message sounds learn how to change options for specific people change your default messaging app

messages by google - May 03 2023

web fix issues with business messages use messages to chat with businesses do more with messages use suggested actions in the messages app get reminders with nudges use real time text rtt with calls make video or voice calls with google meet draft rcs messages with magic compose use filters in messages

[send and receive text messages from your pc microsoft support](#) - Jan 31 2023

web sending a message if you haven t already set up messages do the following on your pc in the phone link select messages to start a new conversation select new message enter the name or phone number of a contact select

messages par google une application de sms simple et pratique - Jun 04 2023

web tout est possible dans l appli messages chattez avec le service client accédez aux cartes d embarquement et obtenez les réponses et informations dont vous avez besoin messages est une application de messagerie simple et pratique qui vous aide à garder le contact avec vos proches Échangez des sms avec d autres personnes où que

mymessage - Dec 30 2022

web mymessage

messenger facebook - Sep 07 2023

web messenger 13 259 930 likes 37 527 talking about this messenger from facebook helps you stay close with those who matter most and on any device

[victorian artist richard dadd s fairy paintings artsy](#) - Apr 11 2023

web nov 2 2018 art the victorian artist who painted fairy worlds from an asylum alina cohen nov 2 2018 11 52am richard dadd come unto these yellow sands 1842 image via wikimedia commons the victorian artist richard dadd painted exquisite highly detailed canvases filled with fairies and other magical creatures

victorian fairy painting theosophical society in america - Dec 27 2021

web victorian fairy painting ed jane martineau london merrell holberton 1997 paperback 29 95 160 pages this work is the catalog of an exhibit organized by the royal academy of arts london and the university of iowa museum of art the exhibit was also shown at the art gallery of ontario toronto and the frick collection new york

art to enchant the development of victorian fairy painting - Sep 04 2022

web all of these artists contributed to the popularity of fairy imagery through their illustrations in novels fairy tale collections

folklore studies engraved folios and popular journals art to enchant the development of victorian fairy painting fairy painting in the romantic era the heyday of fairy painting joseph noel paton s contribution

victorian fairy painting free download borrow and streaming - Feb 26 2022

web victorian fairy painting publication date 1997 topics painting british exhibitions fairies in art exhibitions painting victorian england exhibitions publisher london merrell holberton collection inlibrary printdisabled internetarchivebooks digitizing sponsor kahle austin foundation contributor internet archive language english

victorian fairy painting jeremy maas google books - Jun 01 2022

web jeremy maas royal academy of arts 1997 fairies in art 160 pages published to accompany an exhibition at the royal academy of arts in london victorian fairy painting reveals the enormous popularity of the fairy world as depicted in victorian english painting literature and the theatre

fairy painting wikiwand - Nov 06 2022

web fairy painting is a genre of painting and illustration featuring fairies and fairy tale settings often with extreme attention to detail the genre is most closely associated with victorian painting in the united kingdom but has experienced a contemporary revival

titania and bottom henry fuseli c 1790 tate - Apr 30 2022

web a spell is cast on titania the queen of the fairies making her fall in love with bottom whose head has been transformed into a donkey s henry fuseli imaginatively fills the picture with fairies and fantastical creatures the painting was one of the stars of the shakespeare gallery in london which opened in 1789

fairy painting wikipedia - Aug 15 2023

web fairy painting is a genre of painting and illustration featuring fairies and fairy tale settings often with extreme attention to detail the genre is most closely associated with victorian painting in the united kingdom but has experienced a contemporary revival

past exhibition fairy painting the frick collection - Dec 07 2022

web oct 14 1998 victorian fairy painting october 14 1998 to january 17 1999 critically and commercially popular during the nineteenth century the intriguing and distinctly british genre of victorian fairy painting was the subject of an exhibition at the frick collection

fairy painting in the romantic era the victorian web - Jul 02 2022

web airy painting would seem to be a quintessentially victorian product yet its roots lie firmly within late eighteenth century british art henry fuseli 1741 1825 recognized the potential for fairy painting to both entertain and edify the british public

victorian fairy painting archives royal academy of arts - Mar 30 2022

web victorian fairy painting date 1997 1998 level item extent medium 1 piece double crown content description illustration john atkinson grimshaw iris detail Leeds Museums and Galleries City Art Gallery designed

the Victorians despite their persisting reputation as a puritanical - Jan 28 2022

web permeated victorian literature theater book illustration and art exhibitions the plates are lavish and descriptive data profuse yet interpretive commentary remains in short supply jeremy maas has pride o placef because he was the first to identify fairy painting as a genre of victorian art in his landmark study victorian painters 1969

the fantastical fairy paintings of richard dadd the collector - Mar 10 2023

web dec 2 2021 richard dadd was a victorian era painter whose life and artistic career were characterized by tragedy patricide and otherworldly innovation in the imaginative subgenre of 19th century fairy painting born in 1817 in kent to a large family dadd was considered an artistic prodigy from early childhood

the heyday of fairy painting the victorian web - Oct 05 2022

web victorian fairy painting experienced its heyday during the 1840s its popularity arose partly out of the desire for new kinds of art by a growing middle class audience and partly because of the surreptitious restrictions gradually imposed on other painting genres in

fairy painting tate - Feb 09 2023

web tate a fascination with fairies and the supernatural was a phenomenon of the victorian age and resulted in a distinctive strand of art depicting fairy subjects drawn from myth and legend and particularly from shakespeare s play a midsummer night s dream

victorian fairy painting - Aug 03 2022

web mar 27 2015 victorian fairy and fantasy art art to enchant the development of victorian fairy painting introduction fairy painting in the romantic era the heyday of fairy painting joseph noel paton s contribution pre raphaelite fairy painting fairy painting after 1850 works cited

john anster fitzgerald wikipedia - Jan 08 2023

web john anster christian fitzgerald 1819 1 1906 was a victorian era fairy painter and portrait artist 2 he was nicknamed fairy fitzgerald for his main genre

fairy painting tate - May 12 2023

web tate a fascination with fairies and the supernatural was a phenomenon of the victorian age and resulted in a distinctive strand of art depicting fairy subjects drawn from myth and legend and particularly from shakespeare s play a midsummer night s dream

richard dadd and the magical genre of victorian fairy painting - Jun 13 2023

Chapter 22 Plant Diversity Guided Reading Answer Key

web jun 29 2021 fairy painting has existed for as long as fairy mythology though as a genre it has come to be associated with victorian england various theories have been put forward as to why victorian artists and the victorian public showed such fervent interest in the depiction of alien realms

[fairy paintings magical examples of the victorian fairy painting](#) - Jul 14 2023

web jul 11 2022 fairy paintings magical examples of the victorian fairy painting era by isabella meyer july 11 2022 updated on august 1 2023 in paintings t he victorian era was characterized by a preoccupation with fairies and the paranormal which led to a specific style of fairy paintings inspired by myth and folklore