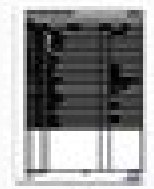
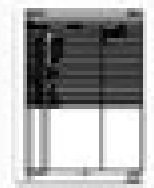
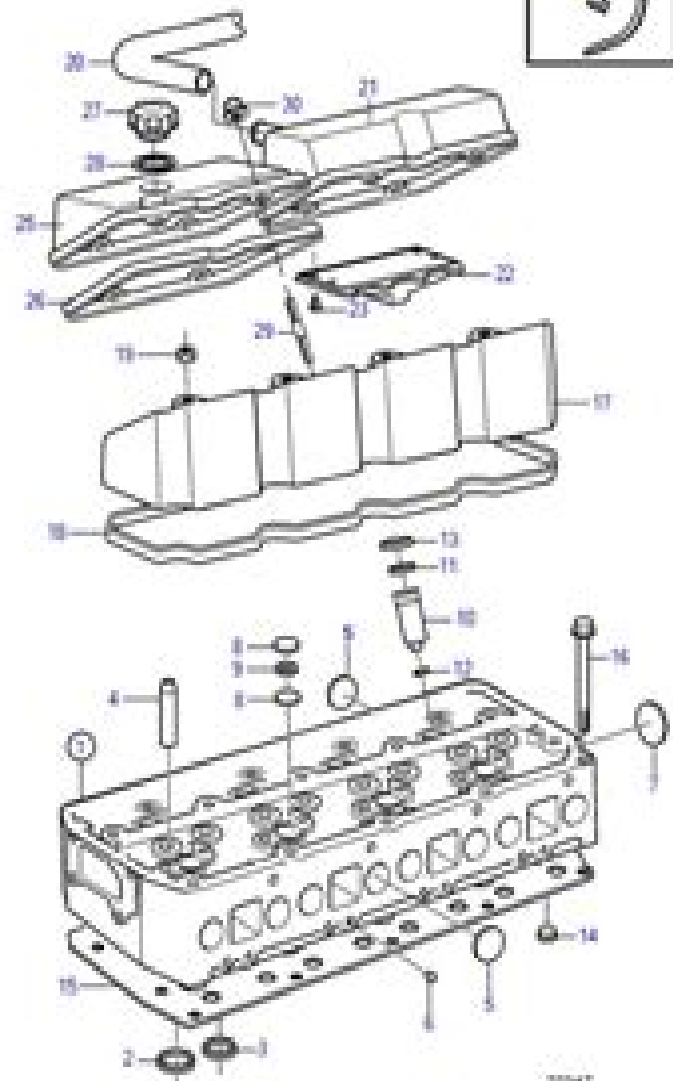


Page Thumbnails



KAD52P



Manual Volvo Kad32p

N Colangelo



Manual Volvo Kad32p

let s study korean complete practice work book for - Oct 21 2022

web nov 19 2017 let s study korean complete work book for grammar spelling vocabulary and reading comprehension is an essential supplement for your korean study needs as it brings a carefully designed set of questions covering korean grammar hangul spelling vocabulary drills and reading comprehension

let s study hard korean writing practice notebook barbara - Jun 16 2022

web of this let s study hard korean writing practice notebook can be taken as with ease as picked to act 1100 short useful korean phrases for beginners talk to me in korean 2020 04 16 learn 1 100 useful korean phrases based on 100 commonly used sentence patterns with qr codes for audio tracks and cute witty

let s study hard korean writing practice notebook gordon - Aug 19 2022

web let s study hard korean writing practice notebook right here we have countless books let s study hard korean writing practice notebook and collections to check out we additionally offer variant types and with type of the books to browse the customary book fiction history novel scientific research as well as various other sorts of

let s study hard korean writing practice notebook korean - Aug 31 2023

web nov 8 2019 let s study hard korean writing practice notebook korean hangul manuscript paper notebook size 8 5x11 gift for korean learners student kpop fans quote let s study hard in korean ga in pam on amazon com free shipping on qualifying offers

let s study hard korean writing practice notebook pdf - May 16 2022

web apr 24 2023 download and install the let s study hard korean writing practice notebook it is no question easy then before currently we extend the member to purchase and create bargains to download and install let s study hard korean writing practice notebook consequently simple let s study hard korean writing practice notebook

let s study hard korean writing practice notebook korean - Apr 26 2023

web let s study hard korean writing practice notebook korean hangul manuscript paper notebook size 8 5x11 gift for korean learners student kpop fans kdrama fans or yourself cute cover design with korean inspiration quote let s study hard in korean ga in pam 9781706697145 books amazon ca

let s study hard korean writing practice notebook korean - Jan 24 2023

web compre online let s study hard korean writing practice notebook korean hangul manuscript paper notebook size 8 5x11 gift for korean learners student kpop fans inspiration quote let s study hard in korean de na amazon frete grátis em milhares

de produtos com o amazon prime

let s study hard korean writing practice notebook hangul writing - May 28 2023

web buy let s study hard korean writing practice notebook hangul writing practice workbook 120 pages gift for korean learners student kpop fans hangul writing notebook by online on amazon ae at best prices fast and free shipping free returns cash on delivery available on eligible purchase

let s study hard korean writing practice notebook gordon - Apr 14 2022

web right here we have countless book let s study hard korean writing practice notebook and collections to check out we additionally have the funds for variant types and afterward type of the books to browse the enjoyable book fiction history novel scientific research as well as various other sorts of books are readily straightforward

let s study hard korean writing practice notebook korean - Jun 28 2023

web buy let s study hard korean writing practice notebook korean hangul manuscript paper notebook size 8 5x11 gift for korean learners student kpop fans quote let s study hard in korean by online on amazon ae at best prices fast and free shipping free returns cash on delivery available on eligible purchase

let s study hard korean writing practice notebook margareta - Jan 12 2022

web skilled korean speakers looking for a review as well as an appendix dedicated to additional reading practice in korean audio files for the book are also available for free download from gobillykorean com continue your exciting journey into the korean language today let s learn korean hangeul master talk to me in korean 2020 04 06

amazon in buy let s study hard korean writing practice notebook - Mar 26 2023

web inspiration quote let s study hard in korean book reviews author details and more at amazon in free delivery on qualified orders amazon in buy let s study hard korean writing practice notebook korean hangul manuscript paper notebook size 8 5x11 gift for korean learners student kpop fans

let s study hard korean writing practice notebook korean - Feb 22 2023

web let s study hard korean writing practice notebook korean hangul manuscript paper notebook size 8 5x11 gift for korean learners student kpop fans quote let s study hard in korean ga in pam isbn 9781706697145 kostenloser versand für alle bücher mit versand und verkauf duch amazon

let s study hard korean writing practice notebook korean - Jul 30 2023

web let s study hard korean writing practice notebook korean hangul manuscript paper notebook size 8 5x11 gift for korean learners student kpop fans inspiration quote let s study hard in korean amazon sg books

letsstudyhardkorea nwritingpracticenote book - Jul 18 2022

web korean writing alphabet korean language for beginners learn python 3 the hard way fun start korean workbook for kids

1 let s speak korean with audio learn over 1 400 expressions quickly and easily with pronunciation grammar guide marks just listen repeat and limitless learn korean the language workbook for beginners korean

[letsstudyhardkoreanwritingpracticenotebook amember loops](#) - Mar 14 2022

web korean practice notebook this stylish traditional notebook style workbook contains 120 pages of hangul writing practice paper to practice writing hangul characters

let s study korean complete practice work book for gr - Nov 21 2022

web nov 18 2017 let s study korean complete work book for grammar spelling vocabulary and reading comprehension is an essential supplement for your korean study needs as it brings a carefully designed set of questions covering korean grammar hangul spelling vocabulary drills and reading comprehension

[let s study korean complete practice work book for grammar](#) - Sep 19 2022

web nov 19 2017 let s study korean complete practice work book for grammar spelling vocabulary and reading comprehension with over 600 questions beginner korean education bridge on amazon com free shipping on qualifying offers

let s study hard korean writing practice notebook pdf - Feb 10 2022

web aug 15 2023 let s study hard korean writing practice notebook is available in our digital library an online access to it is set as public so you can download it instantly our digital library saves in multiple locations allowing you to get the most less latency time to

let s study hard korean writing practice notebook korean - Dec 23 2022

web let s study hard korean writing practice notebook korean hangul manuscript paper notebook size 8 5x11 gift for korean learners student kpop fans inspiration quote let s study hard in korean amazon com mx libros

republic of somaliland somaliland national examination webs - Apr 12 2023

web jan 30 2013 attention your epaper is waiting for publication by publishing your document the content will be optimally indexed by google via ai and sorted into the right category for over 500 million epaper readers on yumpu

[news media somaliland](#) - Feb 27 2022

web may 27 2023 the national certification exam has been officially announced today june 6 202 by admin read more may 27 2023 the council of ministers of th the council of ministers of the republic of somaliland has agreed to implement t by admin read more may 22 2023 the national board of educatio

somaliland ministry of education announces national exam results - Jul 03 2022

web aug 16 2019 the chairman of the national board of examination da ud ahmed farah gave an overview of the results of the national examinations he announced that 19 874 students sat for the grade eight standardized test with 87 per cent success rate 9 691 students also sat for the secondary school graduation exam with 8 787 passing

[snecb ministry of education science](#) - Jul 15 2023

web sep 14 2023 snecb overall mandate exams have an important role in the process of learning and in the whole educational institutions exams and tests are ways of assessing of what students have learnt

[somaliland national examination board announces results for](#) - Jan 29 2022

web aug 15 2019 the chairman of the national examination board of the republic of somaliland daud ahmed farah declared that 92 of students who sat for secondary and upper primary final exams passed the examination board thursday published the final results of the exams the total per cent passed however does not add up as the

snecb mission freshdesign - Aug 16 2023

web snecb's website on this site you will find information about the somaliland national examination itself student results and related documents various reports including statistics as a new feature we have also included information about the regions of

[somaliland national examination board 2014](#) - Oct 06 2022

web statement somaliland national examination board 2014 that you are looking for it will unquestionably squander the time however below later than you visit this web page it will be suitably entirely simple to acquire as competently as download guide somaliland national examination board 2014 it will not undertake many period as we explain before

[national state examination board moeche](#) - May 01 2022

web national state examination board home projects national state examination board conduct primary secondary and such other examinations within galmudug state of somalia as it may consider desirable in the public interest publish past examination papers award certificates to successful candidates in such

[somaliland national examination board 2014](#) - Nov 07 2022

web somaliland national examination board 2014 author wolfgang eisen from media joomlashine com subject somaliland national examination board 2014 keywords somaliland board 2014 national examination created date 3 26 2023 5 37 29 pm

[somaliland national examination and certification board snecb](#) - Feb 10 2023

web somaliland national examination and certification board snecb consulting organization from somaliland it's involved in education sector somaliland national examination and certification board snecb consulting organization from somaliland it's involved in education sector

somaliland national examination and certification board home - Dec 28 2021

web somaliland national examination and certification board 21 486 likes 116 talking about this 43 were here public government service

[republic of somaliland preface ardaycaawiye](#) - Mar 11 2023

web republic of somaliland preface the administration of somaliland national examination and certification board slnec authorized the compilation production and publication of somaliland national maths paper 1 examination books with simplified answers and solutions for secondary students

somali national examination board moeche - May 13 2023

web aug 17 2018 certificate verification portal search by certificate s serial number or by student s roll number certificate no roll number nb currently you can verify only the cerificates issued after august 17 2018 nothing to see run some search somaliland national examination board 2014 full pdf - Jan 09 2023

web somaliland national examination board 2014 is available in our book collection an online access to it is set as public so you can download it instantly our digital library spans in multiple locations allowing you to get the most less latency *somaliland ministry of education announces national exam results* - Jun 14 2023

web aug 11 2020 somaliland national examination board has released the results of grade 8 and form 4 examination results of primary and secondary schools respectively in total close to thirty thousand students sat for the national standardized exams of form eight and form four grades

somaliland national examination board 2014 copy uniport edu - Dec 08 2022

web somaliland national examination board 2014 1 6 downloaded from uniport edu ng on april 17 2023 by guest somaliland national examination board 2014 this is likewise one of the factors by obtaining the soft documents of this somaliland national examination board 2014 by online you might not require more epoch to spend to go to the book *somaliland national examination and certification board* - Mar 31 2022

web somaliland exam past papers pdf assessments and examinations are very critical for the development of any nation against this background i welcome you to the slnec website on this site you will find information about the somaliland national examination itself student results and related documents and various reports including statistics

somaliland national examination board 2014 cybersmash io - Jun 02 2022

web somaliland national examination board 2014 downloaded from cybersmash io by guest rocco newton doing business 2014 routledge exiled populations who increasingly refer to themselves as diaspora communities hold a strong stake in the fate of their countries of origin in a world becoming ever more interconnected they

republic of somaliland somaliland national examination webs - Sep 05 2022

web jan 30 2013 page 10 and 11 somaliland national examination cer page 12 and 13 somaliland national examination cer page 14 and 15 somaliland national examination cer page 16 and 17 somaliland national examination cer page 18 and 19 somaliland national examination cer page 20 somaliland national

somaliland national examination and certification board - Aug 04 2022

web somaliland national examination and certification board togdheer somalia place types public government service address hargeisa somaliland 252 hargeisa somalia coordinate

pdf solutions intermediate workbook pdf prof - Feb 25 2022

web oxford solutions 2nd edition pre intermediate placement test with answers oxford solutions is a new refreshed edition of the five level english course for teenagers with

oxford solutions 2nd edition pre intermediate placement test - Oct 24 2021

oxford solutions pre int progress test unit 2 a pdf unit - Aug 02 2022

web jan 27 2016 oxford solutions 2nd edition intermediate gió 27 january 2016 other no comments oxford solutions is a new refreshed edition of the five level english course

oxford solutions 2nd edition pre intermediate student book pdf 1 - Jan 27 2022

oxford solutions intermediate oxford solutions - Mar 09 2023

web nov 8 2015 2nd edition oxford university press 2013 tests for solutions 2nd edition elementary contains cumulative tests short ones a and b versions both in

intermediate solutions oxford university press - Jul 13 2023

web 2 days ago students solutions intermediate speaking english grammar solutions intermediate 2nd edition grammar speaking english workbook audio 60mb zip

solutions learning resources oxford university press - Apr 10 2023

web 346176972 oxford solutions 2nd edition intermediate student book pdf pdf free download as pdf file pdf text file txt or read online for free

solutions pre intermediate teenagers oxford - Sep 22 2021

solutions intermediate teacher s book 2nd pdf ebook audio - Jul 01 2022

web oxford solutions intermediate workbook oxford download only solutions 2nd edition intermediate student s book tim falla 2012 03a new refreshed edition of the

oxford solutions 2nd edition intermediate tienganhedu - Apr 29 2022

web feb 22 2017 oxford solutions 2nd edition pre intermediate student book pdf 1 feb 22 2017 0 likes 235 487 views isabel benavente follow jefe de contabilidad en

solutions2e cumulative tests answer key a pdf scribd - May 11 2023

web solutions2e cumulative tests answer key a free download as pdf file pdf text file txt or read online for free solutions 2nd edition pre intermediate cumulative tests

solutions 2nd ed upper interm wb answer key pdf scribd - Sep 03 2022

web 2 days ago solutions upper intermediate 2nd edition grammar speaking english workbook audio 65mb zip

solutions teacher s site teaching resources oxford - Aug 14 2023

web download the answer keys for solutions advanced grammar builder and vocabulary builder for 2nd edition self test sheets 2nd edition printable self test sheets for

pre intermediate oxford solutions oxford university press - Oct 04 2022

web solutions intermediate teacher s book 2nd solutions intermediate teacher s book 2nd with 100 new content the third edition of oxford s best selling secondary course

upper intermediate solutions oxford university press - May 31 2022

web text of oxford solutions 2nd edition pre intermediate student book pdf 1 page 1 page 2 page 3 page 4 page 5 page 6 page 7 oxford living grammar with answers

oxford solutions 2nd edition pre intermediate student book - Dec 26 2021

oxford solutions 2nd edition intermediate student book pdf - Feb 08 2023

web solutions intermediate second edition tim falla and paul a davies the solutions second edition online workbook contains 100 the same content as t isbn title

solutions intermediate teenagers oxford university press - Nov 05 2022

web oxford solutions pre int progress test unit 2 a pdf unit 2 progress test a grammar 1 complete the sentences use the past simple or past continuous course hero

solutions 2nd ed pre int placement test answers - Jan 07 2023

web introduction exercise 1 present simple and continuous unit 1 exercise 1 verb infinitive or ing form unit 1 exercise 2 past simple unit 2 exercise 1 past simple and

solutions 2nd edition solutions sciarium - Dec 06 2022

web 1 headed2 meat3 minded4 cold5 haired6 sure 7 watering8 space9 hearted10 densely challenge page 3 possible answers *solutions intermediate progress test a klucz odpowiedzi* - Mar 29 2022

web solutions 3rd edition intermediate student s book solutions 3rd edition pre intermediate student s book this entry was posted in 2 pdf embed coaching ket

solutions pre intermediate teacher s book 2nd - Nov 24 2021

intermediate oxford solutions oxford university press - Jun 12 2023

web unit 1 exercise 2 used to unit 2 exercise 1 past simple and present perfect contrast unit 2 exercise 2 present perfect continuous unit 3 exercise 1 speculating and predicting

Whispering the Techniques of Language: An Psychological Journey through **Manual Volvo Kad32p**

In a digitally-driven world where displays reign great and quick conversation drowns out the subtleties of language, the profound techniques and emotional nuances hidden within phrases usually get unheard. However, set within the pages of **Manual Volvo Kad32p** a captivating fictional treasure blinking with fresh feelings, lies a fantastic journey waiting to be undertaken. Composed by a skilled wordsmith, this marvelous opus encourages viewers on an introspective trip, delicately unraveling the veiled truths and profound impact resonating within the very fabric of each and every word. Within the mental depths with this emotional review, we can embark upon a heartfelt exploration of the book is key subjects, dissect its fascinating publishing model, and fail to the effective resonance it evokes deep within the recesses of readers hearts.

https://offsite.creighton.edu/files/virtual-library/Documents/john_maxwell_course_cost.pdf

https://offsite.creighton.edu/files/virtual-library/Documents/jenna_bush_summer_reading_list.pdf

https://offsite.creighton.edu/files/virtual-library/Documents/kaplan_question_of_the_day.pdf

Table of Contents Manual Volvo Kad32p

1. Understanding the eBook Manual Volvo Kad32p
 - The Rise of Digital Reading Manual Volvo Kad32p
 - Advantages of eBooks Over Traditional Books
2. Identifying Manual Volvo Kad32p
 - Exploring Different Genres
 - Considering Fiction vs. Non-Fiction
 - Determining Your Reading Goals
3. Choosing the Right eBook Platform

- Popular eBook Platforms
 - Features to Look for in an Manual Volvo Kad32p
 - User-Friendly Interface
4. Exploring eBook Recommendations from Manual Volvo Kad32p
 - Personalized Recommendations
 - Manual Volvo Kad32p User Reviews and Ratings
 - Manual Volvo Kad32p and Bestseller Lists
 5. Accessing Manual Volvo Kad32p Free and Paid eBooks
 - Manual Volvo Kad32p Public Domain eBooks
 - Manual Volvo Kad32p eBook Subscription Services
 - Manual Volvo Kad32p Budget-Friendly Options
 6. Navigating Manual Volvo Kad32p eBook Formats
 - ePub, PDF, MOBI, and More
 - Manual Volvo Kad32p Compatibility with Devices
 - Manual Volvo Kad32p Enhanced eBook Features
 7. Enhancing Your Reading Experience
 - Adjustable Fonts and Text Sizes of Manual Volvo Kad32p
 - Highlighting and Note-Taking Manual Volvo Kad32p
 - Interactive Elements Manual Volvo Kad32p
 8. Staying Engaged with Manual Volvo Kad32p
 - Joining Online Reading Communities
 - Participating in Virtual Book Clubs
 - Following Authors and Publishers Manual Volvo Kad32p
 9. Balancing eBooks and Physical Books Manual Volvo Kad32p
 - Benefits of a Digital Library
 - Creating a Diverse Reading Collection Manual Volvo Kad32p
 10. Overcoming Reading Challenges
 - Dealing with Digital Eye Strain
 - Minimizing Distractions
 - Managing Screen Time

11. Cultivating a Reading Routine Manual Volvo Kad32p
 - Setting Reading Goals Manual Volvo Kad32p
 - Carving Out Dedicated Reading Time
12. Sourcing Reliable Information of Manual Volvo Kad32p
 - Fact-Checking eBook Content of Manual Volvo Kad32p
 - Distinguishing Credible Sources
13. Promoting Lifelong Learning
 - Utilizing eBooks for Skill Development
 - Exploring Educational eBooks
14. Embracing eBook Trends
 - Integration of Multimedia Elements
 - Interactive and Gamified eBooks

Manual Volvo Kad32p Introduction

Free PDF Books and Manuals for Download: Unlocking Knowledge at Your Fingertips In today's fast-paced digital age, obtaining valuable knowledge has become easier than ever. Thanks to the internet, a vast array of books and manuals are now available for free download in PDF format. Whether you are a student, professional, or simply an avid reader, this treasure trove of downloadable resources offers a wealth of information, conveniently accessible anytime, anywhere. The advent of online libraries and platforms dedicated to sharing knowledge has revolutionized the way we consume information. No longer confined to physical libraries or bookstores, readers can now access an extensive collection of digital books and manuals with just a few clicks. These resources, available in PDF, Microsoft Word, and PowerPoint formats, cater to a wide range of interests, including literature, technology, science, history, and much more. One notable platform where you can explore and download free Manual Volvo Kad32p PDF books and manuals is the internet's largest free library. Hosted online, this catalog compiles a vast assortment of documents, making it a veritable goldmine of knowledge. With its easy-to-use website interface and customizable PDF generator, this platform offers a user-friendly experience, allowing individuals to effortlessly navigate and access the information they seek. The availability of free PDF books and manuals on this platform demonstrates its commitment to democratizing education and empowering individuals with the tools needed to succeed in their chosen fields. It allows anyone, regardless of their background or financial limitations, to expand their horizons and gain insights from experts in various disciplines. One of the most significant advantages of downloading PDF books and manuals lies in their portability. Unlike physical copies, digital books can be stored and carried on a single device, such as a

tablet or smartphone, saving valuable space and weight. This convenience makes it possible for readers to have their entire library at their fingertips, whether they are commuting, traveling, or simply enjoying a lazy afternoon at home. Additionally, digital files are easily searchable, enabling readers to locate specific information within seconds. With a few keystrokes, users can search for keywords, topics, or phrases, making research and finding relevant information a breeze. This efficiency saves time and effort, streamlining the learning process and allowing individuals to focus on extracting the information they need. Furthermore, the availability of free PDF books and manuals fosters a culture of continuous learning. By removing financial barriers, more people can access educational resources and pursue lifelong learning, contributing to personal growth and professional development. This democratization of knowledge promotes intellectual curiosity and empowers individuals to become lifelong learners, promoting progress and innovation in various fields. It is worth noting that while accessing free Manual Volvo Kad32p PDF books and manuals is convenient and cost-effective, it is vital to respect copyright laws and intellectual property rights. Platforms offering free downloads often operate within legal boundaries, ensuring that the materials they provide are either in the public domain or authorized for distribution. By adhering to copyright laws, users can enjoy the benefits of free access to knowledge while supporting the authors and publishers who make these resources available. In conclusion, the availability of Manual Volvo Kad32p free PDF books and manuals for download has revolutionized the way we access and consume knowledge. With just a few clicks, individuals can explore a vast collection of resources across different disciplines, all free of charge. This accessibility empowers individuals to become lifelong learners, contributing to personal growth, professional development, and the advancement of society as a whole. So why not unlock a world of knowledge today? Start exploring the vast sea of free PDF books and manuals waiting to be discovered right at your fingertips.

FAQs About Manual Volvo Kad32p Books

1. Where can I buy Manual Volvo Kad32p books? Bookstores: Physical bookstores like Barnes & Noble, Waterstones, and independent local stores. Online Retailers: Amazon, Book Depository, and various online bookstores offer a wide range of books in physical and digital formats.
2. What are the different book formats available? Hardcover: Sturdy and durable, usually more expensive. Paperback: Cheaper, lighter, and more portable than hardcovers. E-books: Digital books available for e-readers like Kindle or software like Apple Books, Kindle, and Google Play Books.
3. How do I choose a Manual Volvo Kad32p book to read? Genres: Consider the genre you enjoy (fiction, non-fiction,

mystery, sci-fi, etc.). Recommendations: Ask friends, join book clubs, or explore online reviews and recommendations.
Author: If you like a particular author, you might enjoy more of their work.

4. How do I take care of Manual Volvo Kad32p books? Storage: Keep them away from direct sunlight and in a dry environment. Handling: Avoid folding pages, use bookmarks, and handle them with clean hands. Cleaning: Gently dust the covers and pages occasionally.
5. Can I borrow books without buying them? Public Libraries: Local libraries offer a wide range of books for borrowing. Book Swaps: Community book exchanges or online platforms where people exchange books.
6. How can I track my reading progress or manage my book collection? Book Tracking Apps: Goodreads, LibraryThing, and Book Catalogue are popular apps for tracking your reading progress and managing book collections. Spreadsheets: You can create your own spreadsheet to track books read, ratings, and other details.
7. What are Manual Volvo Kad32p audiobooks, and where can I find them? Audiobooks: Audio recordings of books, perfect for listening while commuting or multitasking. Platforms: Audible, LibriVox, and Google Play Books offer a wide selection of audiobooks.
8. How do I support authors or the book industry? Buy Books: Purchase books from authors or independent bookstores. Reviews: Leave reviews on platforms like Goodreads or Amazon. Promotion: Share your favorite books on social media or recommend them to friends.
9. Are there book clubs or reading communities I can join? Local Clubs: Check for local book clubs in libraries or community centers. Online Communities: Platforms like Goodreads have virtual book clubs and discussion groups.
10. Can I read Manual Volvo Kad32p books for free? Public Domain Books: Many classic books are available for free as they're in the public domain. Free E-books: Some websites offer free e-books legally, like Project Gutenberg or Open Library.

Find Manual Volvo Kad32p :

john maxwell course cost

jenna bush summer reading list

kaplan question of the day

juggernaut method 2.0 pdf

johnson 7.5 hp outboard motor

jesus is the light of the world craft

jennie finch childhood

jennette mcurdy hometown

john green the collection

julius caesar political cartoon

jingle bells on the piano

just one cookbook takoyaki

jerusalem the biography

jojo siwa and kai

jiu jitsu techniques for beginners

Manual Volvo Kad32p :