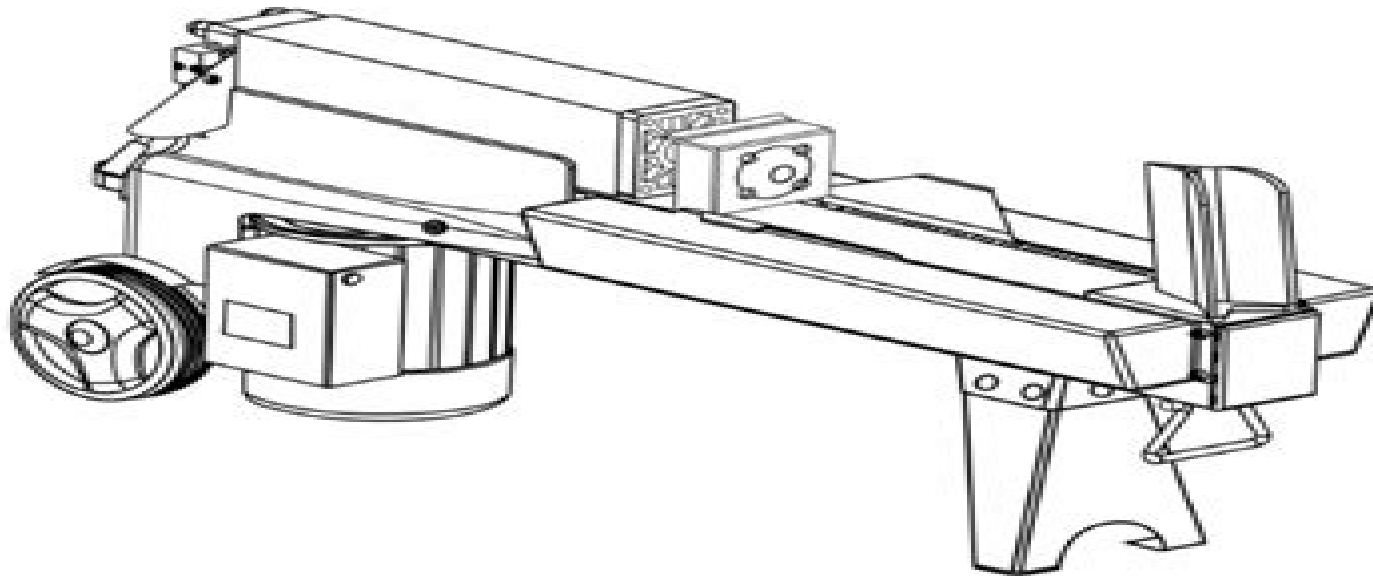


# **5-TON LOG SPLITTER OWNER'S MANUAL**



**⚠ WARNING:** Read carefully and understand **RULES FOR SAFE OPERATION** and instructions before operating. Failure to follow the safety rules and other basic safety precautions may result in serious personal injury.

**Item #334842**

# **Philips Log Splitter User Manual**

**Philips Medical Systems Nederland**



Philips Log Splitter User Manual
<i>Instructions for Building Your Log Splitter</i> Anthony T. Bassaro,1976
<b>Operator's Manuals, Log Splitter</b> Ford Motor Company,Troy (Mich.),
<i>Philips Dual Band Mobile Phone Savvy</i> Philips Communication Systems (Firm : Hilversum, Netherlands),1999 User guide for the Philips dual band mobile phone savvy
<i>BYTELAN Video Splitter : User's Manual</i> Protec Microsystems Inc,1997
<i>The Cottager's Handbook</i> R. A. J. (Robert Arthur John) Phillips,1987
User Manual for Philips DVD Player ,2005
<i>Popular Science</i> ,1978-02 Popular Science gives our readers the information and tools to improve their technology and their world The core belief that Popular Science and our readers share The future is going to be better and science and technology are the driving forces that will help make it better
<i>Service Instructions, Manual</i> Philips Medical Systems Nederland,1969
<b>Catalog of Copyright Entries, Fourth Series</b> Library of Congress. Copyright Office,1978
<b>Popular Science</b> ,1980-10 Popular Science gives our readers the information and tools to improve their technology and their world The core belief that Popular Science and our readers share The future is going to be better and science and technology are the driving forces that will help make it better
<b>Popular Science</b> ,1976-08 Popular Science gives our readers the information and tools to improve their technology and their world The core belief that Popular Science and our readers share The future is going to be better and science and technology are the driving forces that will help make it better
<i>Popular Mechanics</i> ,1981-07 Popular Mechanics inspires instructs and influences readers to help them master the modern world Whether it s practical DIY home improvement tips gadgets and digital technology information on the newest cars or the latest breakthroughs in science PM is the ultimate guide to our high tech lifestyle
<b>School Shop</b> ,1985
<i>The Coding Manual for Qualitative Researchers</i> Johnny Saldana,2009-02-19 The Coding Manual for Qualitative Researchers is unique in providing in one volume an in depth guide to each of the multiple approaches available for coding qualitative data In total 29 different approaches to coding are covered ranging in complexity from beginner to advanced level and covering the full range of types of qualitative data from interview transcripts to field notes For each approach profiled Johnny Salda a discusses the method s origins in the professional literature a description of the method recommendations for practical applications and a clearly illustrated example
<b>Products Liability Cases and Materials</b> Dix W. Noel,Jerry J. Phillips,1976

**Dead Man Talking... and talking... and talking** Philip Sorgen,2014-08-20 Philip Sorgen is not really dead it s just that since he received his poetic license he has been dying to use it Philip has been an actuarial trainee at Metropolitan Life Insurance Company a Sp4 in the U S Army reserve and then for thirty four rewarding years a mathematics teacher at Great Neck North High School He plays the piano by ear composes music with a pencil and has tennis elbow which is a lot less severe than tennis balls He is the husband of one a father of two and a grandfather of three This is the story of his life Back cover

**Official Gazette of the United States Patent and Trademark Office** ,1983

Official Gazette of the United States Patent and Trademark Office United States. Patent and Trademark Office,2000

Popular Science ,1992-02 Popular Science gives our readers the information and tools to improve their technology and their world The core belief that Popular Science and our readers share The future is going to be better and science and technology are the driving forces that will help make it better

**Arbor Age** ,1981

Getting the books **Philips Log Splitter User Manual** now is not type of challenging means. You could not isolated going taking into consideration book addition or library or borrowing from your connections to door them. This is an totally simple means to specifically get lead by on-line. This online broadcast Philips Log Splitter User Manual can be one of the options to accompany you like having supplementary time.

It will not waste your time. acknowledge me, the e-book will unconditionally appearance you extra issue to read. Just invest tiny period to entrance this on-line declaration **Philips Log Splitter User Manual** as capably as review them wherever you are now.

[https://offsite.creighton.edu/About/scholarship/fetch.php/Generic\\_Electronic\\_Module.pdf](https://offsite.creighton.edu/About/scholarship/fetch.php/Generic_Electronic_Module.pdf)

[https://offsite.creighton.edu/About/scholarship/fetch.php/Generator\\_Wiring\\_Diagram\\_And\\_Electrical\\_Schematics.pdf](https://offsite.creighton.edu/About/scholarship/fetch.php/Generator_Wiring_Diagram_And_Electrical_Schematics.pdf)

[https://offsite.creighton.edu/About/scholarship/fetch.php/glencoe\\_algebra\\_2\\_textbook.pdf](https://offsite.creighton.edu/About/scholarship/fetch.php/glencoe_algebra_2_textbook.pdf)

## **Table of Contents Philips Log Splitter User Manual**

1. Understanding the eBook Philips Log Splitter User Manual
  - The Rise of Digital Reading Philips Log Splitter User Manual
  - Advantages of eBooks Over Traditional Books
2. Identifying Philips Log Splitter User Manual
  - Exploring Different Genres
  - Considering Fiction vs. Non-Fiction
  - Determining Your Reading Goals
3. Choosing the Right eBook Platform
  - Popular eBook Platforms
  - Features to Look for in an Philips Log Splitter User Manual
  - User-Friendly Interface
4. Exploring eBook Recommendations from Philips Log Splitter User Manual
  - Personalized Recommendations
  - Philips Log Splitter User Manual User Reviews and Ratings
  - Philips Log Splitter User Manual and Bestseller Lists

5. Accessing Philips Log Splitter User Manual Free and Paid eBooks
  - Philips Log Splitter User Manual Public Domain eBooks
  - Philips Log Splitter User Manual eBook Subscription Services
  - Philips Log Splitter User Manual Budget-Friendly Options
6. Navigating Philips Log Splitter User Manual eBook Formats
  - ePub, PDF, MOBI, and More
  - Philips Log Splitter User Manual Compatibility with Devices
  - Philips Log Splitter User Manual Enhanced eBook Features
7. Enhancing Your Reading Experience
  - Adjustable Fonts and Text Sizes of Philips Log Splitter User Manual
  - Highlighting and Note-Taking Philips Log Splitter User Manual
  - Interactive Elements Philips Log Splitter User Manual
8. Staying Engaged with Philips Log Splitter User Manual
  - Joining Online Reading Communities
  - Participating in Virtual Book Clubs
  - Following Authors and Publishers Philips Log Splitter User Manual
9. Balancing eBooks and Physical Books Philips Log Splitter User Manual
  - Benefits of a Digital Library
  - Creating a Diverse Reading Collection Philips Log Splitter User Manual
10. Overcoming Reading Challenges
  - Dealing with Digital Eye Strain
  - Minimizing Distractions
  - Managing Screen Time
11. Cultivating a Reading Routine Philips Log Splitter User Manual
  - Setting Reading Goals Philips Log Splitter User Manual
  - Carving Out Dedicated Reading Time
12. Sourcing Reliable Information of Philips Log Splitter User Manual
  - Fact-Checking eBook Content of Philips Log Splitter User Manual
  - Distinguishing Credible Sources
13. Promoting Lifelong Learning

- Utilizing eBooks for Skill Development
  - Exploring Educational eBooks
14. Embracing eBook Trends
- Integration of Multimedia Elements
  - Interactive and Gamified eBooks

### **Philips Log Splitter User Manual Introduction**

In the digital age, access to information has become easier than ever before. The ability to download Philips Log Splitter User Manual has revolutionized the way we consume written content. Whether you are a student looking for course material, an avid reader searching for your next favorite book, or a professional seeking research papers, the option to download Philips Log Splitter User Manual has opened up a world of possibilities. Downloading Philips Log Splitter User Manual provides numerous advantages over physical copies of books and documents. Firstly, it is incredibly convenient. Gone are the days of carrying around heavy textbooks or bulky folders filled with papers. With the click of a button, you can gain immediate access to valuable resources on any device. This convenience allows for efficient studying, researching, and reading on the go. Moreover, the cost-effective nature of downloading Philips Log Splitter User Manual has democratized knowledge. Traditional books and academic journals can be expensive, making it difficult for individuals with limited financial resources to access information. By offering free PDF downloads, publishers and authors are enabling a wider audience to benefit from their work. This inclusivity promotes equal opportunities for learning and personal growth. There are numerous websites and platforms where individuals can download Philips Log Splitter User Manual. These websites range from academic databases offering research papers and journals to online libraries with an expansive collection of books from various genres. Many authors and publishers also upload their work to specific websites, granting readers access to their content without any charge. These platforms not only provide access to existing literature but also serve as an excellent platform for undiscovered authors to share their work with the world. However, it is essential to be cautious while downloading Philips Log Splitter User Manual. Some websites may offer pirated or illegally obtained copies of copyrighted material. Engaging in such activities not only violates copyright laws but also undermines the efforts of authors, publishers, and researchers. To ensure ethical downloading, it is advisable to utilize reputable websites that prioritize the legal distribution of content. When downloading Philips Log Splitter User Manual, users should also consider the potential security risks associated with online platforms. Malicious actors may exploit vulnerabilities in unprotected websites to distribute malware or steal personal information. To protect themselves, individuals should ensure their devices have reliable antivirus software installed and validate the legitimacy of the websites they are downloading from. In conclusion, the ability to download Philips Log Splitter

User Manual has transformed the way we access information. With the convenience, cost-effectiveness, and accessibility it offers, free PDF downloads have become a popular choice for students, researchers, and book lovers worldwide. However, it is crucial to engage in ethical downloading practices and prioritize personal security when utilizing online platforms. By doing so, individuals can make the most of the vast array of free PDF resources available and embark on a journey of continuous learning and intellectual growth.

### **FAQs About Philips Log Splitter User Manual Books**

How do I know which eBook platform is the best for me? Finding the best eBook platform depends on your reading preferences and device compatibility. Research different platforms, read user reviews, and explore their features before making a choice. Are free eBooks of good quality? Yes, many reputable platforms offer high-quality free eBooks, including classics and public domain works. However, make sure to verify the source to ensure the eBook credibility. Can I read eBooks without an eReader? Absolutely! Most eBook platforms offer web-based readers or mobile apps that allow you to read eBooks on your computer, tablet, or smartphone. How do I avoid digital eye strain while reading eBooks? To prevent digital eye strain, take regular breaks, adjust the font size and background color, and ensure proper lighting while reading eBooks. What the advantage of interactive eBooks? Interactive eBooks incorporate multimedia elements, quizzes, and activities, enhancing the reader engagement and providing a more immersive learning experience. Philips Log Splitter User Manual is one of the best book in our library for free trial. We provide copy of Philips Log Splitter User Manual in digital format, so the resources that you find are reliable. There are also many Ebooks of related with Philips Log Splitter User Manual. Where to download Philips Log Splitter User Manual online for free? Are you looking for Philips Log Splitter User Manual PDF? This is definitely going to save you time and cash in something you should think about.

### **Find Philips Log Splitter User Manual :**

**generic electronic module**

**generator wiring diagram and electrical schematics**

glencoe algebra 2 textbook

god is the same yesterday today and forever

**gina leopardi health**

geometry angle relationships



**geology and the environment 7th edition pdf  
ged study plan**

[god chasers community church](#)

**gizmos photosynthesis lab answer key**

[general ledger accounting excel template](#)

*genetics cheat sheet*

[george bush decision points](#)

[gary paulsen the hatchet](#)

*gagnez in english*

**Philips Log Splitter User Manual :**

**thisismyipodstorecom storm on the horizon khafji the battle** - Feb 08 2023

web thisismyipodstorecom storm on the horizon khafji the battle that changed the course of the gulf war saipan oct 07 2022

the story of the battle of saipan has it all

[on the ipod books goodreads](#) - Feb 25 2022

web avg rating 4 61 1 219 380 ratings published 2015 want to read rate this book 1 of 5 stars 2 of 5 stars 3 of 5 stars 4 of 5 stars 5 of 5 stars the husband s secret hardcover

*gone from my sight by henry jackson van dyke* - Dec 26 2021

web dec 14 2015 the poem gone from my sight by henry van dyke a mid 19th century american poet is an evocative and deceptively simple narrative about watching a ship

**a storm of pod stormofshitpod twitter** - Mar 29 2022

web oct 21 2017 the latest tweets from a storm of pod stormofshitpod a disorganized podcast about game of thrones hbo and a song of ice and fire grrm follow

**thisismyipodstorecom arcane ii** - Nov 24 2021

web thisismyipodstorecom upon the horizon horizon sea sound nov 14 2019 in horizon sea sound caribbean and african women s cultural critiques of nation andrea davis imagines

*thisismyipodstorecom upon the horizon pdf 2023 black ortax* - Nov 05 2022

web thisismyipodstorecom upon the horizon pdf introduction thisismyipodstorecom upon the horizon pdf 2023

[upon the horizon home and lifestyle](#) - Oct 16 2023

web discover a world of insights and inspiration on upon the horizon from home decor to cutting edge ai tools and beyond

our informative articles cover it all peek into the future

**thisismyipodstorecom upon the horizon mypthub** - May 31 2022

web could indulge in the present is thisismyipodstorecom upon the horizon below maybe you have knowledge that people have look plentiful times for their top books later this

**thisismyipodstorecom storm on the horizon khafji the battle** - Dec 06 2022

web thisismyipodstorecom storm on the horizon khafji the battle that changed the course of the gulf war history that changed the world jan 27 2023 fast paced

*upon the horizon song and lyrics by outside broadcast spotify* - Sep 15 2023

web listen to upon the horizon on spotify outside broadcast recordings song 2016

**download free thisismyipodstorecom upon the horizon pdf** - May 11 2023

web jul 18 2023 thisismyipodstorecom upon the horizon it is agreed easy then since currently we extend the associate to purchase and create bargains to download and

**thisismyipodstorecom upon the horizon 2023 zuzutop com** - Aug 02 2022

web thisismyipodstorecom upon the horizon right here we have countless book thisismyipodstorecom upon the horizon and collections to check out we

*on the horizon idioms by the free dictionary* - Jan 07 2023

web 1 literally on or at the point where the earth and the sky meet we saw an island on the horizon and started heading toward it 2 by extension happening or appearing in the

**on the spot song and lyrics by the primeridian spotify** - Mar 09 2023

web the primeridian song 2020

**thisismyipodstorecom upon the horizon stage gapinc com** - Aug 14 2023

web 4 thisismyipodstorecom upon the horizon 2022 04 15 might enable a future to be built based on greater equality and an end to the oppression and violence that currently exists

**the best 100 horizons quotes to inspire you to explore new** - Oct 04 2022

web jul 28 2023 4 each destination you reach only opens out into wider horizons new and undiscovered countries for you to explore barbara sher 5 to expand the horizons of

[thisismyipodstorecom upon the horizon pdf pdf](#) - Sep 03 2022

web jun 13 2023 as this thisismyipodstorecom upon the horizon pdf it ends happening visceral one of the favored books thisismyipodstorecom upon the horizon pdf

**about us upon the horizon** - Jun 12 2023

web exploring the beauty of home and lifestyle welcome to my corner of the internet where the essence of home and lifestyle comes alive i m your name and i m thrilled to have

*thisismyipodstorecom upon the horizon pdf* - Apr 29 2022

web this thisismyipodstorecom upon the horizon pdf as one of the most lively sellers here will categorically be in the midst of the best options to review thisismyipodstorecom in

**thpod store our aim is your satisfaction shop for everyone** - Apr 10 2023

web thpod com is a leading online retailer specializing in fashion apparel including t shirts hoodies long sleeved shirts hawaiian shirts and custom printed items our wide

thisismyipodstorecom storm on the horizon khafji the battle - Jul 01 2022

web and read thisismyipodstorecom storm on the horizon khafji the battle that changed the course of the gulf war online with thisismyipodstorecom storm on the

**thisismyipodstorecom storm on the horizon khafji the battle** - Jan 27 2022

web thisismyipodstorecom storm on the horizon khafji the battle that changed the course of the gulf war prospect theory and foreign policy analysis in the asia

**ebook thisismyipodstorecom upon the horizon** - Jul 13 2023

web thisismyipodstorecom upon the horizon fire on the horizon apr 09 2021 book description blake ostler author of the groundbreaking exploring mormon thought

arris c4 manual home rightster com - Jan 04 2022

web arris cadant c4 cmts 5140 ehealth spectrum ca com home rightster com 1 5 arris c4 manual april 14th 2018 the hardware firmware or software described in this manual is

*c4 cmts system release 5 commscope* - Mar 18 2023

web the arris c4 cmts features a programmable layer 3 switch fabric designed to provide unique queuing and congestion control capabilities for optimal switching performance

arris cadant cmts c4 e6000 cmts version 1 x 4 x 7 x 8 x - Apr 07 2022

web arris cadant cmts c4 e6000 cmts version 1 x 4 x 7 x 8 x obsolete please rediscover internal driver name arriscadant driver package arriscadant rdp

**cmts arris cadantc4 pdf telecommunications computing** - Feb 17 2023

web arris cadant c4 cmts management module guide page 17 document 5140 arris cadant c4 cmts views this section describes device specific views for the arris

arris yumpu - Sep 12 2022

web arris cadant c4 cmts 5140 en english deutsch français español português italiano român nederlands latina dansk svenska norsk magyar bahasa indonesia türkçe

**arris c4 cmts release 8 2 5 data sheet commscope** - Aug 23 2023

web the arris c4 cmts is a high availability highly stability and throughput that msos require for advanced services it features a 21 slot chassis with a mid plane based

*arris com c4 cmts commscope* - Jul 22 2023

web product overview the arris c4 cmts is a high availability highly dense docsis 3 0 system designed to deliver the stability and throughput that msos require

**arris announces product partnership** - Dec 15 2022

web may 29 2003 2 min read duluth ga arris nasdaq arrs today announced that the cadant c4 cmts with software release 3 1 and newly introduced flexcam

*arris c4 manuals manualslib* - Oct 13 2022

web arris c4 manuals manuals and user guides for arris c4 we have 1 arris c4 manual available for free pdf download user manual arris c4 user manual 3181 pages

device mib support this s yumpu - May 08 2022

web arris cadant c4 cmts 5140 en english deutsch français español português italiano român nederlands latina dansk svenska norsk magyar bahasa indonesia türkçe

**arris cadant cmts c4 e6000 cmts version 1 x 2 x 3 x 4 x** - Feb 05 2022

web arris cadant cmts c4 e6000 cmts version 1 x 2 x 3 x 4 x 7 x 8 x internal driver name arriscadantjs driver package arriscadantjs rdp driver tier 3 vendor arris

*arris debuts cadant c3 cmts arris debuts cadant c3 cmts* - Mar 06 2022

web jun 3 2003 the cadant c3 cmts has a compact durable form factor and fits in a one rack unit high system it joins the existing suite of arris cmts products the cadant

**c4 release 3 0 product overview aatesters** - Aug 11 2022

web introducing the cadant c3 cmts the arris cadant c3 cable modem termination system is a flexible powerful and easy to use the cadant c3 cmts system delivers

arris to upgrade cmts arris to upgrade cmts lightreading com - Jul 10 2022

web oct 7 2003 the unique agreements are made possible by the introduction of the arris 2dx12u docsis 2 0 cable access module cam this module is 100 compatible with

arris cadant c4 cmts 5140 yumpu - Jan 16 2023

web arris cadant c4 cmts 5140 en english deutsch français español português italiano român nederlands latina dansk svenska norsk magyar bahasa indonesia türkçe

**arris cadant c4 cmts 5140 yumpu** - Apr 19 2023

web oct 11 2014 arris cadant c4 cmts 5140 en english deutsch français español português italiano român nederlands latina dansk svenska norsk magyar bahasa

arris c4 user manual pdf download manualslib - May 20 2023

web ipv6 management of cms and forwarding of cpe traffic enhanced operations support system interface the arris c4c cmts is a compact docsis 3 0 cmts based on the

required reading to use t yumpu - Jun 09 2022

web arris cadant c4 cmts 5140 en english deutsch français español português italiano român nederlands latina dansk svenska norsk magyar bahasa indonesia türkçe

**c4 cmts commscope** - Jun 21 2023

web the arris c4 cmts enables operators to offer world class performance for advanced carrier grade voice high speed data and iptv services highly reliable c4 solutions

*c4c cmts commscope* - Nov 02 2021

web the arris c4c cmts release 7 4 is a compact docsis 3 0 cmts based on the proven hardware and software of the larger c4 cmts solution it allows an operator to

*arris cadant c4 cmts 5140 help environment harvard edu* - Dec 03 2021

web arris cadant c4 cmts 5140 as recognized adventure as well as experience practically lesson amusement as without difficulty as deal can be gotten by just checking out a

**table 4 standard and dev yumpu** - Nov 14 2022

web arris cadant c4 cmts 5140 attention your epaper is waiting for publication by publishing your document the content will be optimally indexed by google via ai and

*comcast arris do hitless upgrades lightreading com* - Oct 01 2021

web jan 13 2005 comcast and arris leveraged the innovative arris cadant c4 cmts hardware redundancy features and automated software upgrade process in their

*comment vendre sur ebay guide du dÉbutant sourcing* - Jul 24 2022

web apr 25 2022 pourquoi vendre sur ebay plusieurs raisons doivent vous pousser à vendre sur ebay de tous les sites de vente en ligne ebay offre des atouts que les

*nos conseils pour réussir vos ventes sur ebay et* - Feb 28 2023

web nous offrons une tarification compétitive et l'accès à des outils de vente professionnels pour vous aider à développer vos activités et bénéficier d'une expérience de vente

**tout savoir sur les ventes ebay** - Sep 25 2022

web feb 24 2020 1 trouvez une entreprise de dropshipping réputée 2 créer un compte sur ebay et un autre sur paypal 3 dressez la liste des produits de vos dropshippers dans

**vendre sur ebay 100 conseils de pros 2023 wp publish** - Dec 17 2021

ebay quelques techniques astuces pour mieux vendre - Jun 22 2022

web jun 30 2023 vous avez pas assez de vente sur ebay votre chiffre d'affaires n'est pas faramineux vous voulez vendre rapidement et beaucoup plus sur ebay je vais vous

**how to sell on ebay with these pro tips knowband blog** - May 02 2023

web mar 31 2021 voici quelques conseils de pro pour que les vendeurs vendent sur marché ebay rendez votre message exceptionnel en utilisant des mots accrocheurs dans l'en

**vendre sur ebay 100 conseils de pros amazon fr** - Oct 07 2023

web ce guide pratique vous aidera à appréhender toutes les informations techniques juridiques ainsi que l'état d'esprit propre à ebay afin de faire de vous un vendeur apprécié et

**vendre ebay** - Jan 30 2023

web mar 1 2021 faire des économies gagner de l'argent 10 astuces pour bien vendre sur ebay 1 mars 2021 6521 5 il y a quelques temps déjà je listais vendre ses affaires

**vendre sur ebay le guide pour se lancer en 2023** - Jun 03 2023

web aug 26 2021 vendre sur ebay le guide pour se lancer en 2023 découvrez le guide pratique pour vendre sur ebay tous nos conseils pour te lancer et développer ton

**conseils pros pour bien vendre sur ebay shoppingfeed** - Aug 25 2022

web comment tout simplement en connaissant quelques techniques et astuces pour mieux vendre sur ebay je suis actuellement en train de lire vendre sur ebay de gisèle

*comment vendre sur ebay pour les débutants un guide* - Apr 01 2023

web sep 16 2020 cernez bien le marché la première chose à faire pour préparer au mieux la vente de votre objet sur ebay est une petite étude de marché commencez par

**vendre sur ebay 100 conseils de pros abebooks france** - Jul 04 2023

web vendre sur ebay 100 conseils de pros de ichbiah daniel gisèle foucher isbn 10 2843434831 isbn 13 9782843434839 l

express éditions 2007 couverture souple

**commencer à vendre ebay** - Oct 27 2022

web conseil 1 limite compte vendeur conseil 2 catégories sans déclinaison autorisée conseil 3 liste des noms de transporteurs autorisés conseil 4 association aux

**vendre sur ebay 100 conseils de pros book** - Jan 18 2022

web créer une annonce qui va vendre télécharger l'article 1 faites une étude de marché cherchez sur ebay les objets identiques à ceux que vous voulez vendre et regardez

7 conseils pour vendre sur ebay de la bonne façon le 4ème - Mar 20 2022

web vendre sur ebay 100 conseils de pros vendre sur ebay 100 conseils de pros 3 downloaded from guidelines redmileky.com on 2021 10 01 by guest ever and yet when

*comment vendre sur ebay avec images wikipédia* - Nov 15 2021

**ebay ile nerelere satış yapabiliriz tam liste** - Dec 29 2022

web tout savoir sur les ventes rubrique 4 min commencer à recevoir des paiements sur ebay rubrique 6 min s'inscrire en tant que vendeur rubrique 4 minutes aperçu des conseils

**comment vendre sur ebay rapidement 10 conseils** - Apr 20 2022

web les réponses à vos questions comment fonctionne ebay peut-on tout vendre sur ebay quel matériel est nécessaire pour vendre sur ebay comment rédiger efficacement

**vendre sur ebay 100 conseils de pros cdn writermag** - Feb 16 2022

web on tout vendre sur ebay quel matériel est nécessaire pour vendre sur ebay comment rédiger efficacement une annonce quelle est la forme de vente la plus efficace À

**pourquoi vendre sur ebay mon avis sur les marketplaces** - May 22 2022

web voici 7 conseils pour vendre sur ebay si vous souhaitez faire plus de vente ou faire décoller votre boutique show more

10 astuces pour bien vendre sur ebay la tirelire de cécile - Nov 27 2022

web que vous cherchiez à augmenter vos revenus à vendre des objets qui encombrant votre maison ou même à créer une entreprise commencer à vendre sur ebay est un jeu

**100 conseils de pros vendre sur ebay broché fnac** - Sep 06 2023

web 100 conseils de pros vendre sur ebay gisèle foucher daniel ichbiah l'express eds des milliers de livres avec la livraison chez vous en 1 jour ou en magasin avec 5 de

vendre sur ebay les astuces des pros clubic - Aug 05 2023

web vous souhaitez vendre des objets sur ebay mais n en avez pas le temps faites appel aux vendeurs assistants ce sont des vendeurs ebay expérimentés qui se proposent