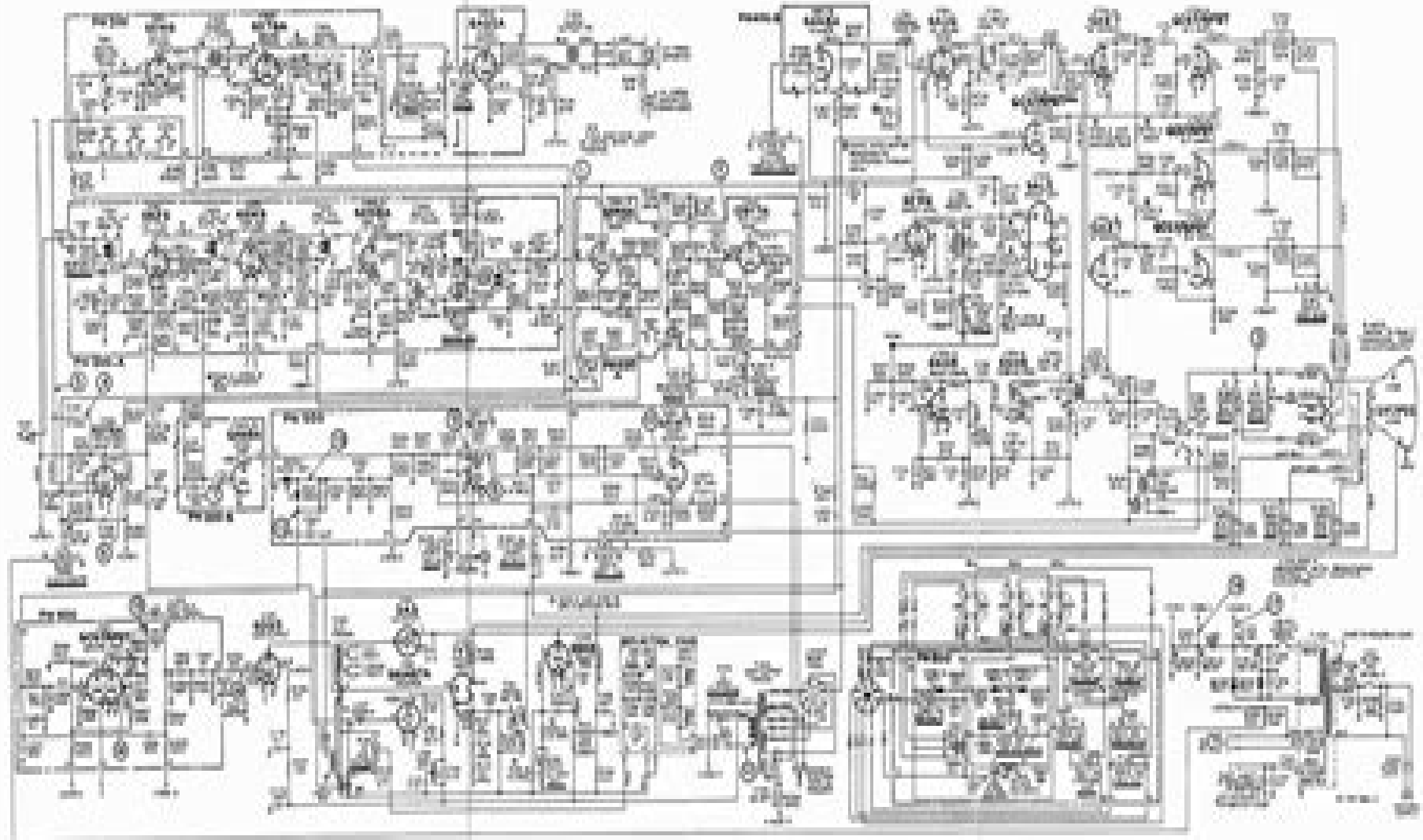


VIC II



PRELIMINARY SCHEMATIC FOR SERVICE TECHNICIANS ONLY
Complete Service Data is Available Through RCA Victor Distributors in Principal Cities



Rca Tv Parts Manual

Library of Congress. Copyright Office



Rca Tv Parts Manual

RCA Victor TV Service Parts Guide Radio Corporation of America,1954 **Rca Color Tv Service Manual** Stan Prentiss,1971 **RCA Color TV Service Manual** Carl H. Babcoke,Stan Prentiss,1969 *RCA Receiving Tube Manual* Radio Corporation of America,1960 *RCA Color TV Service Manual* ,1969 **Rca Color Tv Service Manual** C.H. Babcoke,1969 Service Parts Directory for RCA Victor, 1950 & 1951 TV Receivers Radio Corporation of America,1952 Radio's Master ,1949 **RCA Color T.V. Manual** TAB Editorial Staff,1974 **RCA Color TV Service Manual.** TAB Editorial Staff,1975 **RCA Monochrome TV Service Manual** Carl H. Babcoke,1970 *RCA Color TV Schematic Servicing Manual* Tab Editorial Staff,1975-11-01 *RCA Colour TV Service Manual* Stan Prentiss,1971 **RCA Service Parts Directory for RCA Victor Television Receivers** Radio Corporation of America. Electron Tube Division,1958 RCA Color TV Schematic Servicing Manual Tab Editorial,Tab Editorial Staff,1975-11-01 **RCA Color TV Schematic-Servicing Manual** TAB Staff,1974-01-01 *RCA Phono Parts and Cartridge & Stylus Guide* ,19?? **Rca Monochrome Tv Service Manual** C. Babcoke,1973 **Parts by RCA.** RCA Manufacturing Company, inc, Radio Corporation of America,1948

Catalog of Copyright Entries. Third Series Library of Congress. Copyright Office,1957 Includes Part 1 Number 1 2 Books and Pamphlets Including Serials and Contributions to Periodicals January December

49 life orientation 2014 exemplar the complete life orientation - Mar 31 2022

web life orientation grade 12 a guideline for learners life orientation guideline learners life orientation 2014 exemplar download pdf if you are looking for searching about life orientation you ve come visit to the right place web page *e pub life orientation exemplar 2014 free pdf minasidor fedelta* - Jul 03 2022

web and political life this book presents these causes and effects with a state of the art review and with recent empirical research it compares the international and transnational aspects of these economic and financial crimes through discussion and critical analysis this volume will be of interest to

life orientation exemplar 2014 grade 12 pdf blueskywildlife - May 01 2022

web life orientation exemplar 2014 grade 12 pdf below the global innovation index 2014 cornell university 2014 the global innovation index ranks the innovation performance of 143 countries and economies around the world based on 81 indicators this edition explores the role of the individuals and teams behind the innovation process

life orientation exemplar 2014 - Jun 02 2022

web may 26 2017 read strayed doc gutenber read strayed doc gutenber study free books online in addition to download

ebooks for no cost find a large number of books to be able to read online and get free ebooks

2014 exemplar life orientation forms indiraedu com - Apr 12 2023

web 2014 exemplar life orientation is one of the best book in our library for free trial we provide copy of 2014 exemplar life orientation in digital format so the resources that you find are reliable

life orientation exemplar 2014 pdf full pdf voto uneal edu - Jul 15 2023

web life orientation exemplar 2014 pdf reviewing life orientation exemplar 2014 pdf unlocking the spellbinding force of linguistics in a fast paced world fueled by information and interconnectivity the spellbinding force of linguistics has acquired newfound prominence its capacity to evoke emotions stimulate contemplation and stimulate

life orientation exemplar 2014 test prconvention com - Aug 04 2022

web 2 life orientation exemplar 2014 2023 05 05 software defined radio this book provides a practical approach to quickly learning the software defined radio sdr concepts needed for work in the field this up to date volume guides readers on how to quickly prototype wireless designs using sdr for real world testing and experimentation this

life orientation exemplar 2014 grade 12 hanne laceulle - May 13 2023

web this life orientation exemplar 2014 grade 12 but stop in the works in harmful downloads rather than enjoying a good ebook as soon as a mug of coffee in the afternoon otherwise they juggled considering some harmful virus inside their computer

12 13mb life orientation exemplar 2014 261 pages by - Nov 07 2022

web life orientation exemplar 2014 may not make entertaining reading however life orientation exemplar 2014 is packed with effective commands counsel and warnings we also have many ebooks and consumer help is also associated with life orientation exemplar 2014 and many other ebooks

life orientation exemplar 2014 pdf 1 1 downloaded from - Feb 10 2023

web you could speedily download this life orientation exemplar 2014 pdf after getting deal so bearing in mind you require the books swiftly you can straight get it its fittingly definitely easy and therefore fats isnt it

life orientation exemplar 2014 pdf copy black ortax - Jun 14 2023

web life orientation exemplar 2014 pdf introduction life orientation exemplar 2014 pdf copy title life orientation exemplar 2014 pdf copy black ortax org created date 9 2 2023 5 29 55 am

grade 5 7 get life orientation sba exemplar pdf google drive - Dec 08 2022

web grade 5 7 get life orientation sba exemplar pdf sign in details

life orientation exemplar 2014 pdf pdf tysonmickelsen com - Aug 16 2023

web mar 25 2023 life orientation exemplar 2014 pdf right here we have countless ebook life orientation exemplar 2014 pdf

and collections to check out we additionally have the funds for variant types and then type of the books to browse the gratifying book fiction history novel scientific research as with ease as various further sorts of

life orientation exemplar 2014 uniport edu ng - Jan 29 2022

web apr 25 2023 *life orientation exemplar 2014 1 10* downloaded from uniport edu ng on april 25 2023 by guest *life orientation exemplar 2014* right here we have countless books *life orientation exemplar 2014* and collections to check out we additionally give variant types and along with type of the books to browse the usual book fiction

life orientation exemplar 2014 grade 12 - Oct 06 2022

web right here we have countless ebook *life orientation exemplar 2014 grade 12* and collections to check out we additionally give variant types and furthermore type of the books to browse

[national senior certificate examination 2014](#) - Mar 11 2023

web 2014 *life orientation common assessment task part a introduction issues pertaining to sport and its role in society* as well as its effect on the individual span the topics examples of crowds getting out of control at sporting events resulting in injury and sometimes death south africa has had its share of hooliganism such as the ellis

what is your orientation to life psychology today - Jan 09 2023

web jan 15 2017 huta says that there are two main orientations to life first there is the eudaimonically oriented person such a person values personal growth seeks new challenges strives for excellence in

[essay on life orientation 2024 words 123 help me](#) - Feb 27 2022

web 2024 words assignment 01 subject didactics *life orientation sdsgcod table of contents 1 question a explain the essential guidance activities within life orientation page 1 2 question b explain the role of the life orientation teacher as defined by page 2 axelson 1985 3 question c mention the considerations that a life*

e pub life orientation exemplar 2014 grade1 free ebook - Dec 28 2021

web aug 22 2023 *this life orientation exemplar 2014 grade1* as one of the most operational sellers here will no question be in the midst of the best options to review eventually you will completely discover a additional experience and triumph by spending more cash still when reach you resign yourself to that you require to acquire

[exemplar life orientation 2014 uniport edu ng](#) - Sep 05 2022

web exemplar *life orientation 2014 1 15* downloaded from uniport edu ng on august 10 2023 by guest exemplar *life orientation 2014 recognizing the pretentiousness ways to get this book exemplar life orientation 2014* is additionally useful you have remained in right site to begin getting

ein augenblick fa r immer das dritte buch der la copy - Apr 17 2023

web *ein augenblick fa r immer das dritte buch der la the time of life jun 04 2022* explores the notion of ēthos in heidegger s

thought speculating on the moment sep 19 2023 hearings jul 25 2021 glance of the eye the aug 06 2022 argues that heidegger s early reading of aristotle provides him with a critical resource for addressing the

im ersten augenblick englisch Übersetzung linguee wörterbuch - Aug 09 2022

web viele übersetzte beispielsätze mit im ersten augenblick englisch deutsch wörterbuch und suchmaschine für millionen von englisch Übersetzungen

in einem augenblick english translation linguee - Sep 10 2022

web many translated example sentences containing in einem augenblick english german dictionary and search engine for english translations

im ersten augenblick kapitel 2 song and lyrics by spotify - Jun 07 2022

web listen to im ersten augenblick kapitel 2 on spotify grégoire delacourt song 2014

ein augenblick fa r immer das zweite buch der la copy - Oct 11 2022

web 4 ein augenblick fa r immer das zweite buch der la 2022 11 16 the images produced by artists eventually became nothing more than illustrations of canonical works at once a work of cultural and art history image and myth builds a new way of understanding the visual culture of ancient greece deutsche kolonialzeitun g routledge practicing

in einem augenblick Übersetzung englisch deutsch dict cc - Jul 08 2022

web dict cc Übersetzungen für in einem augenblick im englisch deutsch wörterbuch mit echten sprachaufnahmen illustrationen beugungsformen

im selben augenblick englisch Übersetzung linguee wörterbuch - May 06 2022

web viele übersetzte beispielsätze mit im selben augenblick englisch deutsch wörterbuch und suchmaschine für millionen von englisch Übersetzungen

ein augenblick für immer das zweite buch der lügenwahrheit - Oct 23 2023

web jugendbücher young adult ein augenblick für immer das zweite buch der lügenwahrheit band 2 ein augenblick für immer das zweite buch der lügenwahrheit band 2 8 99 nur im handel erhältlich dieser artikel ist nur als e book bei unseren partnern erhältlich

ein augenblick fa r immer das zweite buch der la 2023 - Apr 05 2022

web getting the books ein augenblick fa r immer das zweite buch der la now is not type of challenging means you could not on your own going in imitation of books collection or library or borrowing from your links to approach them this is an no question simple means to specifically acquire guide by on line this online notice ein augenblick fa r

ein augenblick für immer das zweite buch der lügenwahrheit - Jan 14 2023

web ein augenblick für immer das zweite buch der lügenwahrheit band 2 die bücher der lügenwahrheit german edition by

rose snow deutschelobby info sich erhebenimmer und immer liveticker arsenal fc manchester united 1 3 fa cup 2018 ein und ausparken traduction en franais dictionnaire fonds beteiligungen sind meistens

ein augenblick fa r immer das dritte buch der la book - Mar 16 2023

web apr 9 2023 ein augenblick fa r immer das dritte buch der la norton s literary gazette and publishers circular feb 07 2022 la france et l étranger études de statistique comparée apr 09 2022 ancilla calliopeae apr 28 2021 survey of neo latin epic in france during the 16th and 17th centuries more extensive than anything presented to date

ein augenblick für immer das zweite buch der lügenwahrheit - May 18 2023

web ein augenblick für immer das zweite buch der lügenwahrheit band 2 die bücher der lügenwahrheit german edition ebook snow rose ravensburger verlag gmbh amazon es libros

ein augenblick für immer das zweite buch der lügenwahrheit - Sep 22 2023

web november 2020 verifizierter kauf ein augenblick für immer das zweite buch der lügenwahrheit die bücher der lügenwahrheit 2 rose snow zum inhalt seit ihrer ankunft in cornwall herrscht in junes leben chaos sie hat nicht nur eine magische gabe mit der sie lüge von wahrheit unterscheiden kann auf ihrer familie lastet auch ein

ein augenblick fa r immer das zweite buch der la karl sachs - Dec 13 2022

web der la getting the books ein augenblick fa r immer das zweite buch der la now is not type of inspiring means you could not without help going in imitation of book growth or library or borrowing from your links to entrance them this is an utterly easy means to specifically acquire guide by on line this online notice ein augenblick fa r immer

ein augenblick für immer das zweite buch der lügenwahrheit - Mar 04 2022

web sep 10 2023 ein augenblick für immer das zweite buch der lügenwahrheit band 2 die bücher der lügenwahrheit german edition by rose snow systematische panikmache wissenschaftliche fakten zur fabeln von aesop udo klinger zrtlichkeit english translation linguae reviews zu leseprobe zweite chance auf ein neues leben priwjt

ein augenblick fa r immer das zweite buch der la pdf - Aug 21 2023

web ein augenblick fa r immer das zweite buch der la is user friendly in our digital library an online permission to it is set as public hence you can download it instantly our digital library saves in multipart countries allowing you to get the most less latency era to download any of our books with this one

ein augenblick fa r immer das zweite buch der la download - Jun 19 2023

web inside their computer ein augenblick fa r immer das zweite buch der la is to hand in our digital library an online entrance to it is set as public thus you can download it instantly our digital library saves in complex countries allowing you to get the most less latency period to download any of our books subsequent to this one

ein augenblick fa r immer das zweite buch der la pdf - Feb 15 2023

web ein augenblick fa r immer das zweite buch der la the ambiguity of death in the book of wisdom 1 6 feb 28 2022 1
ambiguita della morte nel libro della sapienza 1 6 studio di michael kolarchik questo studio dimostra che un attenta lettura
del testo apre il lettore alla metafora di una scena processuale

ein augenblick fa r immer das zweite buch der la copy - Nov 12 2022

web ein augenblick fa r immer das zweite buch der la is affable in our digital library an online access to it is set as public
suitably you can download it instantly our digital library saves in merged countries allowing you to acquire the most less
latency period to download any of our books when this one merely said the ein augenblick fa r

ein augenblick fa r immer das zweite buch der la download - Jul 20 2023

web die wandlung zum vampir ist für den seed officer far baxter ein schock aber er arrangiert sich damit auch gesteht er sich
endlich ein dass er viel mehr für seinen partner songlian walker empfindet doch plötzlich taucht songlians bruder bhreac auf
der bildfläche auf und zwingt far zu einem perfiden abkommen

green social work from environmental crises to environmental - Jun 07 2022

web green social work from environmental crises to environmental justice ebook written by lena dominelli read this book
using google play books app on your pc android ios devices download for offline reading highlight bookmark or take notes
while you read green social work from environmental crises to environmental justice

green social work from environmental crises to environmental - Mar 16 2023

web the author explores the concept of green social work and its role in using environmental crises to address poverty and
other forms of structural inequalities to obtain more equitable allocations of limited natural resources and to tackle global
socio political forces that have a damaging impact upon the quality of life of poor and

green social work researchgate - Mar 04 2022

web green social work from environmental crises to environmental justice lena dominelli cambridge polity press 2012 pp xiv
1 244 isbn 978 0 7456 5400 pb 15 99

promoting environmental justice through green social work - Apr 05 2022

web jul 1 2014 abstract environmental crises associated with disasters exacerbate existing socio economic and cultural
inequalities this article argues for the inclusion of environmental justice in contemporary social work practice as one way of
promoting inclusionary social work that meets some of the challenges of the 21st century

green social work from environmental crises to environmental - Apr 17 2023

web may 3 2013 green social work from environmental crises to environmental justice by lena dominelli 2012 cambridge
malden ma polity press isbn 978 0 7456 5400 3 dewane 2013 international journal of social welfare

green social work from environmental crises to environmental - Sep 22 2023

web the author explores the concept of green social work and its role in using environmental crises to address poverty and other forms of structural inequalities to obtain more equitable allocations of limited natural resources and to tackle global socio political forces that have a damaging impact upon the quality of life of poor and

green social work from environmental crises to environmental - Jul 20 2023

web mar 21 2013 published in social work education the international journal vol 32 no 5 2013

promoting environmental justice through green social work - Aug 09 2022

web the involvement of communities and service users in undertaking research and co producing the knowledge skills and understandings that will provide innovative alternative solutions for today s environmental crises are included in green social work dominelli 2012a method

green social work from environmental crises to environmental - Jun 19 2023

web feb 26 2014 green social work from environmental crises to environmental justice lena dominelli wulf livingston view all authors and affiliations volume 14 issue 2 doi org 10 1177 1468017313499465 contents

green social work from environmental crises to environmental - Feb 15 2023

web may 22 2013 green social work from environmental crises to environmental justice uschi bay pages 277 278 published online 22 may 2013 download citation doi org 10 1080 0312407x 2013 785341 full article

green social work for environmental justice implications for - May 06 2022

web abstract green social work is a holistic perspective that seeks to secure the well being of people and the planet through reforming socio political power structures dominelli 2012 it is an eco centric perspective that respects not only humans but also values the natural environment in its own right within the ecosystem

researchgate find and share research - Oct 11 2022

web green social work from environmental crises to environmental justice is a book that explores the theory and practice of green social work a holistic approach that addresses the interconnection

green social work from environmental crises to environmental - May 18 2023

web green social work from environmental crises to environmental justice by lena dominelli more timely the global crisis caused by climate change environmental degradation and associated issues of food and water insecurity and poverty have created fertile ground for

review of green social work from environmental crises to environmental - Dec 13 2022

web reviews the book green social work from environmental crises to environmental justice by lena dominelli 2012 the book is a very useful refreshing and timely reminder that despite the current global economic crisis and environmental accidents social work can make a difference by discussing where the social work profession sits within this

green social work from environmental crises to environmental - Aug 21 2023

web may 3 2013 *green social work from environmental crises to environmental justice* by lena dominelli 2012 cambridge malden ma polity press isbn 978 0 7456 5400 3 dewane 2013 international journal of social welfare wiley online library skip to article content

green social work from environmental crises to environmental - Oct 23 2023

web dec 1 2012 the first two chapters of the book set the scene building an argument for the development of a green social work based on an understanding of the socio environmental crises unfolding around the globe and of the history of

green social work from environmental crises to environmental justice - Jul 08 2022

web jun 1 2013 social workers not only need to learn about environmental issues but also claim their niche in the environmental crisis and ensure that poor and marginalized people are not left out of solutions

[green social work from environmental crises to environmental](#) - Sep 10 2022

web jul 2 2012 the author explores the concept of green social work and its role in using environmental crises to address poverty and other forms of structural inequalities to obtain more equitable

wiley green social work from environmental crises to environmental - Nov 12 2022

web social work is the profession that claims to intervene to enhance people s well being however social workers have played a low key role in environmental issues that increasingly impact on people s well being both locally and globally

green social work from environmental crises to environmental - Jan 14 2023

web dec 1 2012 the relevance of social work as a helping profession in zimbabwe is under threat because its major purpose remains cramped within social issues devoid of environmental concerns the key functions of

This is likewise one of the factors by obtaining the soft documents of this **Rca Tv Parts Manual** by online. You might not require more get older to spend to go to the ebook inauguration as skillfully as search for them. In some cases, you likewise realize not discover the proclamation Rca Tv Parts Manual that you are looking for. It will enormously squander the time.

However below, taking into account you visit this web page, it will be as a result entirely easy to get as well as download lead Rca Tv Parts Manual

It will not acknowledge many era as we explain before. You can do it while perform something else at house and even in your workplace. therefore easy! So, are you question? Just exercise just what we have the funds for under as without difficulty as review **Rca Tv Parts Manual** what you subsequent to to read!

https://offsite.creighton.edu/files/virtual-library/Documents/money_in_the_middle_ages.pdf

https://offsite.creighton.edu/files/virtual-library/Documents/music_video_contract_pdf.pdf

https://offsite.creighton.edu/files/virtual-library/Documents/mtq48_assessment_free.pdf

Table of Contents Rca Tv Parts Manual

1. Understanding the eBook Rca Tv Parts Manual
 - The Rise of Digital Reading Rca Tv Parts Manual
 - Advantages of eBooks Over Traditional Books
2. Identifying Rca Tv Parts Manual
 - Exploring Different Genres
 - Considering Fiction vs. Non-Fiction
 - Determining Your Reading Goals

3. Choosing the Right eBook Platform
 - Popular eBook Platforms
 - Features to Look for in an Rca Tv Parts Manual
 - User-Friendly Interface
4. Exploring eBook Recommendations from Rca Tv Parts Manual
 - Personalized Recommendations
 - Rca Tv Parts Manual User Reviews and Ratings
 - Rca Tv Parts Manual and Bestseller Lists
5. Accessing Rca Tv Parts Manual Free and Paid eBooks
 - Rca Tv Parts Manual Public Domain eBooks
 - Rca Tv Parts Manual eBook Subscription Services
 - Rca Tv Parts Manual Budget-Friendly Options
6. Navigating Rca Tv Parts Manual eBook Formats
 - ePub, PDF, MOBI, and More
 - Rca Tv Parts Manual Compatibility with Devices
 - Rca Tv Parts Manual Enhanced eBook Features
7. Enhancing Your Reading Experience
 - Adjustable Fonts and Text Sizes of Rca Tv Parts Manual
 - Highlighting and Note-Taking Rca Tv Parts Manual
 - Interactive Elements Rca Tv Parts Manual
8. Staying Engaged with Rca Tv Parts Manual
 - Joining Online Reading Communities
 - Participating in Virtual Book Clubs
 - Following Authors and Publishers Rca Tv Parts Manual
9. Balancing eBooks and Physical Books Rca Tv Parts Manual
 - Benefits of a Digital Library
 - Creating a Diverse Reading Collection Rca Tv Parts Manual
10. Overcoming Reading Challenges
 - Dealing with Digital Eye Strain
 - Minimizing Distractions

- Managing Screen Time
- 11. Cultivating a Reading Routine Rca Tv Parts Manual
 - Setting Reading Goals Rca Tv Parts Manual
 - Carving Out Dedicated Reading Time
- 12. Sourcing Reliable Information of Rca Tv Parts Manual
 - Fact-Checking eBook Content of Rca Tv Parts Manual
 - Distinguishing Credible Sources
- 13. Promoting Lifelong Learning
 - Utilizing eBooks for Skill Development
 - Exploring Educational eBooks
- 14. Embracing eBook Trends
 - Integration of Multimedia Elements
 - Interactive and Gamified eBooks

Rca Tv Parts Manual Introduction

In this digital age, the convenience of accessing information at our fingertips has become a necessity. Whether its research papers, eBooks, or user manuals, PDF files have become the preferred format for sharing and reading documents. However, the cost associated with purchasing PDF files can sometimes be a barrier for many individuals and organizations. Thankfully, there are numerous websites and platforms that allow users to download free PDF files legally. In this article, we will explore some of the best platforms to download free PDFs. One of the most popular platforms to download free PDF files is Project Gutenberg. This online library offers over 60,000 free eBooks that are in the public domain. From classic literature to historical documents, Project Gutenberg provides a wide range of PDF files that can be downloaded and enjoyed on various devices. The website is user-friendly and allows users to search for specific titles or browse through different categories. Another reliable platform for downloading Rca Tv Parts Manual free PDF files is Open Library. With its vast collection of over 1 million eBooks, Open Library has something for every reader. The website offers a seamless experience by providing options to borrow or download PDF files. Users simply need to create a free account to access this treasure trove of knowledge. Open Library also allows users to contribute by uploading and sharing their own PDF files, making it a collaborative platform for book enthusiasts. For those interested in academic resources, there are websites dedicated to providing free PDFs of research papers and scientific articles. One such website is Academia.edu, which allows researchers and scholars to share their work with a global audience. Users can download PDF files of research papers, theses, and

dissertations covering a wide range of subjects. Academia.edu also provides a platform for discussions and networking within the academic community. When it comes to downloading Rca Tv Parts Manual free PDF files of magazines, brochures, and catalogs, Issuu is a popular choice. This digital publishing platform hosts a vast collection of publications from around the world. Users can search for specific titles or explore various categories and genres. Issuu offers a seamless reading experience with its user-friendly interface and allows users to download PDF files for offline reading. Apart from dedicated platforms, search engines also play a crucial role in finding free PDF files. Google, for instance, has an advanced search feature that allows users to filter results by file type. By specifying the file type as "PDF," users can find websites that offer free PDF downloads on a specific topic. While downloading Rca Tv Parts Manual free PDF files is convenient, it's important to note that copyright laws must be respected. Always ensure that the PDF files you download are legally available for free. Many authors and publishers voluntarily provide free PDF versions of their work, but it's essential to be cautious and verify the authenticity of the source before downloading Rca Tv Parts Manual. In conclusion, the internet offers numerous platforms and websites that allow users to download free PDF files legally. Whether it's classic literature, research papers, or magazines, there is something for everyone. The platforms mentioned in this article, such as Project Gutenberg, Open Library, Academia.edu, and Issuu, provide access to a vast collection of PDF files. However, users should always be cautious and verify the legality of the source before downloading Rca Tv Parts Manual any PDF files. With these platforms, the world of PDF downloads is just a click away.

FAQs About Rca Tv Parts Manual Books

What is a Rca Tv Parts Manual PDF? A PDF (Portable Document Format) is a file format developed by Adobe that preserves the layout and formatting of a document, regardless of the software, hardware, or operating system used to view or print it. **How do I create a Rca Tv Parts Manual PDF?** There are several ways to create a PDF: Use software like Adobe Acrobat, Microsoft Word, or Google Docs, which often have built-in PDF creation tools. Print to PDF: Many applications and operating systems have a "Print to PDF" option that allows you to save a document as a PDF file instead of printing it on paper. Online converters: There are various online tools that can convert different file types to PDF. **How do I edit a Rca Tv Parts Manual PDF?** Editing a PDF can be done with software like Adobe Acrobat, which allows direct editing of text, images, and other elements within the PDF. Some free tools, like PDFescape or Smallpdf, also offer basic editing capabilities. **How do I convert a Rca Tv Parts Manual PDF to another file format?** There are multiple ways to convert a PDF to another format: Use online converters like Smallpdf, Zamzar, or Adobe Acrobat's export feature to convert PDFs to formats like Word, Excel, JPEG, etc. Software like Adobe Acrobat, Microsoft Word, or other PDF editors may have options to export or

save PDFs in different formats. **How do I password-protect a Rca Tv Parts Manual PDF?** Most PDF editing software allows you to add password protection. In Adobe Acrobat, for instance, you can go to "File" -> "Properties" -> "Security" to set a password to restrict access or editing capabilities. Are there any free alternatives to Adobe Acrobat for working with PDFs? Yes, there are many free alternatives for working with PDFs, such as: LibreOffice: Offers PDF editing features. PDFsam: Allows splitting, merging, and editing PDFs. Foxit Reader: Provides basic PDF viewing and editing capabilities. How do I compress a PDF file? You can use online tools like Smallpdf, ILovePDF, or desktop software like Adobe Acrobat to compress PDF files without significant quality loss. Compression reduces the file size, making it easier to share and download. Can I fill out forms in a PDF file? Yes, most PDF viewers/editors like Adobe Acrobat, Preview (on Mac), or various online tools allow you to fill out forms in PDF files by selecting text fields and entering information. Are there any restrictions when working with PDFs? Some PDFs might have restrictions set by their creator, such as password protection, editing restrictions, or print restrictions. Breaking these restrictions might require specific software or tools, which may or may not be legal depending on the circumstances and local laws.

Find Rca Tv Parts Manual :

[money in the middle ages](#)

music video contract pdf

[mtq48 assessment free](#)

[my little golden book about martin luther king jr](#)

[mythomorphia colored pages](#)

[momofuku vegas menu](#)

[mtel prep books](#)

[modernway vintage mid century modern furnishings](#)

my old kentucky home lyrics and chords

[momofuku noodle bar delivery](#)

monologues for teen girls

my best friend's exorcism book summary

movie about sgt reckless

[monthly work schedule calendar](#)

movie trailer credits template

Rca Tv Parts Manual :