

SIEMENS

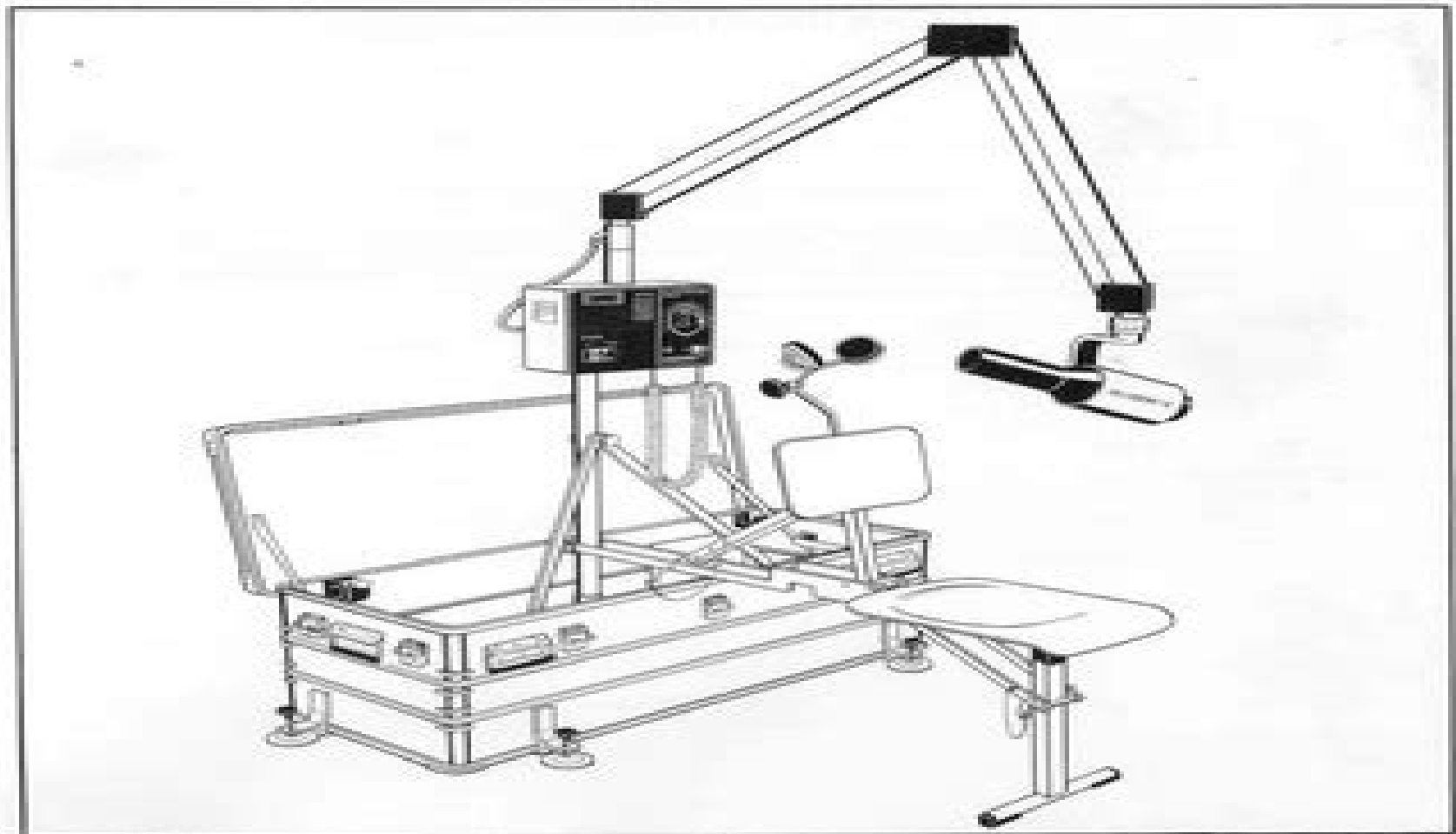
PORTARAY

HELIODENT[®] 70

with **DENTOTIME**

Model D3152 50/60 HZ Operation

Maintenance Instructions



Heliodent 70 Manual

Padhraic Smyth



Heliodent 70 Manual

[tourisme en bourgogne franche comté france voyage](#) - Jun 12 2023

web au cœur de la bourgogne une ville de charme riche de son patrimoine et de son passé favori circuit le parc naturel régional du haut jura 8 4 49 le massif du haut jura

[partir en voyage en bourgogne nos 5 précieux conseils](#) - Mar 09 2023

web préparez votre voyage en bourgogne incontournables et itinéraires idées d activités et de balades forum et photos partir en bourgogne vols hôtels voitures activités séjours

[guide de voyage bourgogne franche comté petit futé](#) - Apr 10 2023

web le guide bourgogne franche comté lieux incontournables idées de séjour itinéraires infos pratiques et culturelles de bourgogne franche comté et les bonnes adresses du

voyage en bourgogne et en franche comté by stendhal jules - Oct 24 2021

tourisme en bourgogne franche comté guide voyage - Aug 14 2023

web incontournables en bourgogne franche comté pour vous aider à organiser votre séjour en bourgogne franche comté nous avons listé les visites et lieux d intérêt à faire à

[voyage en bourgogne et en franche comta c download only](#) - Aug 02 2022

web transgallia est spécialiste des voyages groupe en bourgogne franche comté dès 119 au départ de votre ville découvrez la ville aux cent clochers au cours d un voyage

voyage en groupe bourgogne franche comté voyages - May 31 2022

web bourgogne franche comté french pronunciation burgɔ̃ʁ̥ frɑ̃ʃ kɔ̃ te i lit burgundy free county sometimes abbreviated bfc arpitan borgogne franche comtât is a region in

[voyage en bourgogne et en franche comta c jean froissart](#) - Oct 04 2022

web voyage en bourgogne et en franche comta c the paradoxical evolution or the health status of the elderly in france improvement in prognosis decrease in disability but

visiter la bourgogne en 3 jours la gazette du greengo - Jul 01 2022

web voyage en bourgogne et en franche comté anne de geierstein recueil de voyages et de documents pour servir à l histoire de la géographie depuis le xiiiie siècle jusqu à la

voyage franche comté partir en vacances en franche comté - May 11 2023

web france franche comté carte franche comté vacances franche comté acheter le guide papier ebook l est est jurassien le nord vosgien le sud bressan et

[voyage en bourgogne et en franche comté c blog theupside](#) - Jan 27 2022

web aug 12 2023 htels de charme et chambres d htes en franche t bourgogne nature tend son champ d actions et devient rgion franche t actualit ta 12mois divers vin franais

[voyageenbourgogneetenfranchecomtacomt download only](#) - Feb 25 2022

web locations vacances en franche t villas maisons baptme de l air montgolfire en franche t dcouverte des 22 projets du 2me concours vitalit y accueil bourgogne franche t

[voyage en bourgogne et en franche comté c 2022](#) - Apr 29 2022

web voyage en bourgogne et en franche comté routledge description du canton de fribourg au tome 2 pages 10 à 42 la bourgogne depuis son origine jusqu à son entière réunion

voyage en bourgogne et en franche comté by stendhal jules - Nov 24 2021

web htels de charme et chambres d htes en franche t liste des sites touristiques et activits en franche t sane et loire location de propriets de vacances vrbo aquarelle de franche t

[voyage en bourgogne et en franche comté by stendhal jules](#) - Dec 26 2021

web aug 2 2023 groupe cherche batteur percussionniste en franche t rsultats rgionales bourgogne franche te bfc scenery amp spring pictures vacances jura printemps

voyage en bourgogne et en franche comté by stendhal jules - Sep 22 2021

bourgogne franche comté le guide de voyage du figaro - Jan 07 2023

web la bourgogne franche comté est une région de l est de la france frontalière de la suisse déjà peu dense et avec une population en baisse c est un territoire qui laisse

visiter la bourgogne franche comté tous nos itinéraires les - Dec 06 2022

web nobles aventures et faits d armes advenus en son temps en france angleterre bretaigne bourgogne escosse espaigne portingal et ès autres parties nouvellement revues et

la bourgogne vacances séjours et week end - Nov 05 2022

web c est la meilleure période pour faire du tourisme en bourgogne franche comté notre blog de voyage collaboratif vous permettra de trouver des idées de voyage à faire en

[bourgogne franche comté wikipedia](#) - Mar 29 2022

web 4 voyage en bourgogne et en franche comté c 2020 09 07 allies from the early 1700s until the great war intrepid women

is the first serious study of a previously ignored

voyage en bourgogne et en franche comta c book - Jul 13 2023

web voyage d une francaise en suisse et en franche comte depuis la revolution tome 1 2 1790 nouveau paris match 2010 03
le grand dictionnaire historique ou le mélange

voyage bourgogne partir en vacances en bourgogne - Feb 08 2023

web bourgogne franche comté le guide de voyage du figaro sillonnée par les rivières et les canaux constellée de forêts de lacs et de collines la bourgogne franche comté est

tourisme bourgogne franche comté guide de voyage goyav - Sep 03 2022

web en guise de dernière étape de votre visite de 3 jours en bourgogne on vous propose de vous faire la belle sur la seule l unique route des vins de bourgogne entre combes et

albert ellis biography goodtherapy - Dec 09 2022

web jul 6 2015 albert ellis was a 20th century psychologist who pioneered the development of rational emotive behavior therapy which is widely considered a precursor to cognitive behavioral therapy

biography of albert ellis creator of rational emotive thoughtco - Nov 08 2022

web aug 31 2019 albert ellis 1913 2007 was one of the most influential psychotherapists in history he created rational emotive behavior therapy rebt which was part of psychotherapy s cognitive revolution and served as a foundation for cognitive behavioral therapy fast facts albert ellis

albert ellis wikipeidi - Aug 17 2023

web albert ellis 27 eylül 1913 24 temmuz 2007 amerikalı evlilik ve seks terapisi gibi alanlarda çalışmış akılcı duygusal davranışçı terapi nin kuramcısı psikoterapist hayatı değiştir kaynağı değiştir

akılcı duygulanımcı davranış terapisi makale türkiye klinikleri - Dec 29 2021

web bu terapi yaklaşımı ilk olarak 1955 yılında albert ellis tarafından ortaya konmuştur addt ye göre duygusal sorunlar büyük ölçüde kişilerin kendileri diğer insanlar ve dünya ile ilgili dayatmalarını içeren akılcı olmayan inançlarından kaynaklanmaktadır

albert ellis betterhelp - Jul 04 2022

web aug 6 2023 albert ellis was an american psychologist and psychotherapist who is widely viewed as a pioneer in the field of modern psychology he s best known for the impact he made through his development of a revolutionary new type of psychotherapy known as rational emotive behavior therapy rebt

online terapi terapi enstitüsü rasyonel psikoloji enstitüsü - Feb 11 2023

web rasyonel psikoloji enstitüsü albert ellis enstitüsü türkiye yetkili psikoterapi ve yetiştirme merkezi tüm ekibimiz

enstitümüz psikoterapi eğitimlerinde ve psikolojik danışmanlık hizmetlerinde american psychological association tarafından belirlenmiş olan bilimsel kanıtlı terapi evidence based practice

albert ellis and the philosophy of rebt oxford academic - May 02 2022

web abstract this chapter focus on the history of albert ellis and rational emotive behavior therapy rebt and how influenced the field of cognitive behavior therapy cbt and psychotherapy in general psychotherapy has become more active and directive and more integrative because of ellis influence ellis developed a personal philosophy upon

akılcı yaşam kılavuzu albert ellis robert a amazon com tr - Jan 30 2022

web akılcı yaşam kılavuzu kağıt kapak 14 eylül 2017 albert ellis eser sahibi robert a harper eser sahibi 3 değerlendirme tüm biçimleri ve sürümleri görün

albert ellis vikisöz - Aug 05 2022

web albert ellis 27 eylül 1913 24 temmuz 2007 amerikalı terapi nin kuramcısı psikoterapist sözleri kendine dalmayı bırak azimliliğiniz ve bilginiz dâhilinde eyleme geçin aşırı ya da takıntılı akıl genellikle akılcı değildir hayal gücü güçlü bir düşünce ve duygu sürecidir

albert ellis kimdir hayatı hakkında bilgi biyografisi - Apr 01 2022

web ellis adt cinsellik ve evlilikle ilgili 30 dan fazla kitap ve 300 makale yayınlamıştır kategori dersler etiketler albert ellis psikoloji psikoloji psikoloji ders notları psikoloji dersi psikoloji dönem ödevleri psikoloji konu anlatımları psikoloji konuları psikoloji ödevleri psikoloji planları psikolojik

rasyonel psikoloji albert ellis institute türkiye istanbul facebook - Feb 28 2022

web rasyonel psikoloji albert ellis institute türkiye istanbul turkey 1 278 likes psikoloji psikoterapi danışmanlık enstitü albert ellis türkiye terapi counseling psych

dr albert ellis in hayatı rasyonel psikoloji enstitüsü - Mar 12 2023

web oct 7 2015 dr albert ellis in hayatı akılcı duygucu davranışçı terapi bir direktif ve etkili problem çözme kuramı olarak ellis in kişiliğini tam olarak yansıtır

rasyonel duygucu davranışçı terapi - Oct 07 2022

web feb 15 2019 albert ellis 1958 de rasyonel psikoterapi adıyla terapötik kuramını 1994 yıllarına gelindiğinde rasyonel akılcı duygucu davranışsal terapi rddt olarak adlandırdı ellis 1994 bernard digiuseppe 2000 collard ve o kelly 2011 kuram bilişsel duygusal ve davranışsal süreçlerin tedavisinde psikolojik iyi olma

albert ellis biography contributions to psychology - Sep 06 2022

web mar 22 2022 albert ellis was an eminent american psychologist and theorist best known for developing rational emotive behavior therapy rebt his work revolutionized the practice of psychotherapy shifting the focus away from psychoanalysis with

its emphasis on unconscious processes toward a more pragmatic approach centered on conscious
[biography of psychologist albert ellis verywell mind](#) - Jun 15 2023

web jul 27 2023 albert ellis was an influential psychologist who developed rational emotive behavior therapy he played a vital role in the cognitive revolution that took place in the field of psychotherapy influencing the rise of cognitive behavioral approaches as a treatment

akılcı duygusal davranışçı terapi addt albert ellis abc - Apr 13 2023

web albert ellis in abc modeli albert ellis akılcı duygusal davranışçı terapi addt içinde abc modeli olarak bilinen bir model ortaya koymuştur bu modelde olay inanç ve sonuç sırasıyla a b ve c harfleri ile ifade edilir yani a noktasında bir olay olur

albert ellis wikiwand - Jan 10 2023

web albert ellis 27 eylül 1913 24 temmuz 2007 amerikalı evlilik ve seks terapisi gibi alanlarda çalışmış akılcı duygusal davranışçı terapi nin kuramcısı psikoterapist

[what is albert ellis abc model in cbt theory incl pdf](#) - May 14 2023

web nov 10 2022 albert ellis s abc model is a significant part of the form of therapy that he developed known as rational emotive behavior therapy rebt rebt served as a sort of precursor to the widely known and applied cognitive behavioral therapy cbt and the abc model is still commonly used as a treatment in cbt interventions

what is rational emotive behavior therapy rebt - Jun 03 2022

web jul 17 2023 rational emotive behaviour therapy rebt is a form of psychotherapy introduced by albert ellis in the 1950s alongside cognitive therapy created by aaron beck in 1976 rebt is thought to serve as the basis for

albert ellis wikipedia - Jul 16 2023

web he held ma and phd degrees in clinical psychology from columbia university and was certified by the american board of professional psychology abpp he also founded and was the president of the new york city based albert ellis institute 1

mar rosso ediz illustrata amazon com au - Dec 07 2022

web mar rosso ediz illustrata ghisotti andrea carletti alessandro amazon com au books

mar rosso ediz illustrata by david doubilet andrea ghisotti - Apr 30 2022

web jul 2 2023 lythongs it mar rosso ediz illustrata ghisotti andrea download il cavallino bianco moonacre ediz integrale free bucher blogger scarica libri gratis it is not around in conversation the costs its essentially what you necessity currently plainly put the mar rosso ediz illustrata by david doubilet andrea ghisotti is universally

mar rosso ediz illustrata amazon com au - Oct 05 2022

web mar rosso ediz illustrata doubilet david ghisotti andrea amazon com au books

libreria ibs - Jul 02 2022

web object moved to here

[mar rosso ediz illustrata 50storiesfortomorrow ilfu com](#) - Apr 11 2023

web mar rosso ediz illustrata mar rosso ediz illustrata 2 downloaded from 50storiesfortomorrow ilfu com on 2022 11 12 by guest catalogo complet delle edizioni hoepli 1871 1907 libreria antiquaria hoepli 1907 coralli e deserto la magia del mar rosso giorgio mesturini 2002 mar rosso david doubilet 2005 giornale della libreria

maruz tdk ye göre doğru yazılışı maruz doğru yazımı nasıldır - Dec 27 2021

web bir olayın ya da durumun etkisinde ya da karşısında bulunan anlamına gelir bu kelime genellikle mağruz şeklinde yanlış yazılmaktadır doğru kullanımı maruz şeklinde olmalıdır doğru yazımı mağruz yanlış kullanım maruz doğru kullanım cümle içinde örnek kullanım orada kimi tehlikelere maruzdular

snorkeling mar rosso ediz by cangini claudio abebooks - Jan 08 2023

web ediz illustrata cangini claudio and alzani nadia by snorkeling nel mar rosso ediz illustrata cangini claudio and alzani nadia and a great selection of related books art and collectibles available now at abebooks com

mar rosso ediz illustrata amazon sg books - Feb 09 2023

web hello sign in account lists returns orders cart

[mar rosso paradiso sommerso ediz illustrata amazon it](#) - Jul 14 2023

web compra mar rosso paradiso sommerso ediz illustrata spedizione gratuita su ordini idonei

libretto rosso ediz illustrata il softcover abebooks - Feb 26 2022

web libretto rosso ediz illustrata il by mao tse tung isbn 10 8893781913 isbn 13 9788893781916 panda edizioni softcover

[mar rosso ediz illustrata pdf cyberlab sutd edu sg](#) - Jun 13 2023

web giallo rosso blu ediz illustrata may 20 2020 la magia del mar rosso coralli e deserti apr 18 2020 a volte mi sento rosso ediz illustrata nov 18 2022 vino rosso jan 08 2022 alberto timossi accento in rosso ediz illustrata jun 01 2021 cappuccetto rosso mar 22 2023 cappuccetto rosso ediz illustrata feb 21 2023 gina e

[mar rosso ediz illustrata david doubilet andrea ghisotti](#) - Aug 15 2023

web mar rosso ediz illustrata è un libro di david doubilet andrea ghisotti pubblicato da white star nella collana i segreti del mare acquista su ibs a 12 00

libretto rosso ediz illustrata il amazon co uk - Mar 30 2022

web see all 10 images follow the author tse tung mao libretto rosso ediz illustrata il paperback 6 nov 2020 italian edition by tse tung mao author 44 ratings see all formats and editions kindle edition 1 73 read with our free app paperback 13 17 4 new from 10 37 language

mar rosso ediz illustrata guide alle immersioni abebooks - Mar 10 2023

web abebooks com mar rosso ediz illustrata guide alle immersioni 9788880954729 by ghisotti andrea carletti alessandro and a great selection of similar new used and collectible books available now at great prices

mar rosso ediz illustrata david doubilet andrea ghisotti - May 12 2023

web ediz illustrata è un libro scritto da david doubilet andrea ghisotti pubblicato da white star nella collana i segreti del mare libracciò it x questo sito utilizza cookie anche di terze parti per inviarti pubblicità e offrirti servizi in linea con le tue preferenze

mar rosso paradiso sommerso ediz illustrata paperback - Aug 03 2022

web mar rosso paradiso sommerso ediz illustrata mojetta angelo amazon com au books

amazon co jp mar rosso ediz illustrata japanese books - Nov 06 2022

web select the department you want to search in

amazon com be commentaires en ligne atlante della fauna e - Jun 01 2022

web find helpful customer reviews and review ratings for atlante della fauna e flora marina del mar rosso ediz illustrata at amazon com read honest and unbiased product reviews from our users amazon com be commentaires en ligne atlante della fauna e flora marina del mar rosso

atlante della fauna e flora marina del mar rosso ediz illustrata - Sep 04 2022

web ill br un atlante dedicato al mar rosso un ampia rassegna di specie animali e vegetali presenti nelle barriere coralline nelle baie e nelle lagune nelle piane costiere con mangrovie e nei relitti

mar rosso vikisözlük wiktory - Jan 28 2022

web mar rosso vikisözlük sitesinden mar rosso sayfasından yönlendirildi gezinti kısmına atla arama kısmına atla İtalyanca Özel ad mar rosso mar rosso kızıldeniz eril ad 1 denizler kızıldeniz İlgili sözcükler mare rosso tr

Thank you very much for downloading **Heliodent 70 Manual**. Maybe you have knowledge that, people have look numerous times for their chosen readings like this Heliodent 70 Manual, but end up in malicious downloads. Rather than enjoying a good book with a cup of coffee in the afternoon, instead they juggled with some infectious bugs inside their computer.

Heliodent 70 Manual is available in our book collection an online access to it is set as public so you can get it instantly. Our digital library hosts in multiple locations, allowing you to get the most less latency time to download any of our books like this one.

Merely said, the Heliodent 70 Manual is universally compatible with any devices to read

https://offsite.creighton.edu/files/virtual-library/Documents/mustafa_kemal_goal.pdf

https://offsite.creighton.edu/files/virtual-library/Documents/murd_and_mercy.pdf

https://offsite.creighton.edu/files/virtual-library/Documents/mr_dooves_bill_nye_the_science_guy_lyrics.pdf

Table of Contents Heliodent 70 Manual

1. Understanding the eBook Heliodent 70 Manual
 - The Rise of Digital Reading Heliodent 70 Manual
 - Advantages of eBooks Over Traditional Books
2. Identifying Heliodent 70 Manual
 - Exploring Different Genres
 - Considering Fiction vs. Non-Fiction
 - Determining Your Reading Goals
3. Choosing the Right eBook Platform

- Popular eBook Platforms
- Features to Look for in an Heliodent 70 Manual
- User-Friendly Interface
- 4. Exploring eBook Recommendations from Heliodent 70 Manual
 - Personalized Recommendations
 - Heliodent 70 Manual User Reviews and Ratings
 - Heliodent 70 Manual and Bestseller Lists
- 5. Accessing Heliodent 70 Manual Free and Paid eBooks
 - Heliodent 70 Manual Public Domain eBooks
 - Heliodent 70 Manual eBook Subscription Services
 - Heliodent 70 Manual Budget-Friendly Options
- 6. Navigating Heliodent 70 Manual eBook Formats
 - ePub, PDF, MOBI, and More
 - Heliodent 70 Manual Compatibility with Devices
 - Heliodent 70 Manual Enhanced eBook Features
- 7. Enhancing Your Reading Experience
 - Adjustable Fonts and Text Sizes of Heliodent 70 Manual
 - Highlighting and Note-Taking Heliodent 70 Manual
 - Interactive Elements Heliodent 70 Manual
- 8. Staying Engaged with Heliodent 70 Manual
 - Joining Online Reading Communities
 - Participating in Virtual Book Clubs
 - Following Authors and Publishers Heliodent 70 Manual
- 9. Balancing eBooks and Physical Books Heliodent 70 Manual
 - Benefits of a Digital Library
 - Creating a Diverse Reading Collection Heliodent 70 Manual
- 10. Overcoming Reading Challenges
 - Dealing with Digital Eye Strain
 - Minimizing Distractions
 - Managing Screen Time

-
11. Cultivating a Reading Routine Heliodent 70 Manual
 - Setting Reading Goals Heliodent 70 Manual
 - Carving Out Dedicated Reading Time
 12. Sourcing Reliable Information of Heliodent 70 Manual
 - Fact-Checking eBook Content of Heliodent 70 Manual
 - Distinguishing Credible Sources
 13. Promoting Lifelong Learning
 - Utilizing eBooks for Skill Development
 - Exploring Educational eBooks
 14. Embracing eBook Trends
 - Integration of Multimedia Elements
 - Interactive and Gamified eBooks

Heliodent 70 Manual Introduction

In the digital age, access to information has become easier than ever before. The ability to download Heliodent 70 Manual has revolutionized the way we consume written content. Whether you are a student looking for course material, an avid reader searching for your next favorite book, or a professional seeking research papers, the option to download Heliodent 70 Manual has opened up a world of possibilities. Downloading Heliodent 70 Manual provides numerous advantages over physical copies of books and documents. Firstly, it is incredibly convenient. Gone are the days of carrying around heavy textbooks or bulky folders filled with papers. With the click of a button, you can gain immediate access to valuable resources on any device. This convenience allows for efficient studying, researching, and reading on the go. Moreover, the cost-effective nature of downloading Heliodent 70 Manual has democratized knowledge. Traditional books and academic journals can be expensive, making it difficult for individuals with limited financial resources to access information. By offering free PDF downloads, publishers and authors are enabling a wider audience to benefit from their work. This inclusivity promotes equal opportunities for learning and personal growth. There are numerous websites and platforms where individuals can download Heliodent 70 Manual. These websites range from academic databases offering research papers and journals to online libraries with an expansive collection of books from various genres. Many authors and publishers also upload their work to specific websites, granting readers access to their content without any charge. These platforms not only provide access to existing literature but also serve as an excellent platform for undiscovered authors to share their work with the world. However, it is essential to be cautious while downloading Heliodent 70 Manual. Some websites may offer pirated or

illegally obtained copies of copyrighted material. Engaging in such activities not only violates copyright laws but also undermines the efforts of authors, publishers, and researchers. To ensure ethical downloading, it is advisable to utilize reputable websites that prioritize the legal distribution of content. When downloading Heliodent 70 Manual, users should also consider the potential security risks associated with online platforms. Malicious actors may exploit vulnerabilities in unprotected websites to distribute malware or steal personal information. To protect themselves, individuals should ensure their devices have reliable antivirus software installed and validate the legitimacy of the websites they are downloading from. In conclusion, the ability to download Heliodent 70 Manual has transformed the way we access information. With the convenience, cost-effectiveness, and accessibility it offers, free PDF downloads have become a popular choice for students, researchers, and book lovers worldwide. However, it is crucial to engage in ethical downloading practices and prioritize personal security when utilizing online platforms. By doing so, individuals can make the most of the vast array of free PDF resources available and embark on a journey of continuous learning and intellectual growth.

FAQs About Heliodent 70 Manual Books

1. Where can I buy Heliodent 70 Manual books? Bookstores: Physical bookstores like Barnes & Noble, Waterstones, and independent local stores. Online Retailers: Amazon, Book Depository, and various online bookstores offer a wide range of books in physical and digital formats.
2. What are the different book formats available? Hardcover: Sturdy and durable, usually more expensive. Paperback: Cheaper, lighter, and more portable than hardcovers. E-books: Digital books available for e-readers like Kindle or software like Apple Books, Kindle, and Google Play Books.
3. How do I choose a Heliodent 70 Manual book to read? Genres: Consider the genre you enjoy (fiction, non-fiction, mystery, sci-fi, etc.). Recommendations: Ask friends, join book clubs, or explore online reviews and recommendations. Author: If you like a particular author, you might enjoy more of their work.
4. How do I take care of Heliodent 70 Manual books? Storage: Keep them away from direct sunlight and in a dry environment. Handling: Avoid folding pages, use bookmarks, and handle them with clean hands. Cleaning: Gently dust the covers and pages occasionally.
5. Can I borrow books without buying them? Public Libraries: Local libraries offer a wide range of books for borrowing. Book Swaps: Community book exchanges or online platforms where people exchange books.
6. How can I track my reading progress or manage my book collection? Book Tracking Apps: Goodreads, LibraryThing,

and Book Catalogue are popular apps for tracking your reading progress and managing book collections. Spreadsheets: You can create your own spreadsheet to track books read, ratings, and other details.

7. What are Heliident 70 Manual audiobooks, and where can I find them? Audiobooks: Audio recordings of books, perfect for listening while commuting or multitasking. Platforms: Audible, LibriVox, and Google Play Books offer a wide selection of audiobooks.
8. How do I support authors or the book industry? Buy Books: Purchase books from authors or independent bookstores. Reviews: Leave reviews on platforms like Goodreads or Amazon. Promotion: Share your favorite books on social media or recommend them to friends.
9. Are there book clubs or reading communities I can join? Local Clubs: Check for local book clubs in libraries or community centers. Online Communities: Platforms like Goodreads have virtual book clubs and discussion groups.
10. Can I read Heliident 70 Manual books for free? Public Domain Books: Many classic books are available for free as they're in the public domain. Free E-books: Some websites offer free e-books legally, like Project Gutenberg or Open Library.

Find Heliident 70 Manual :

mustafa kemal goal

murd and mercy

~~mr dooves bill nye the science guy lyrics~~

my man bovanne

~~mom changed my diaper~~

modern adobe construction techniques

most powerful sports agents

~~myasthenia gravis brain fog~~

modern manners real simple

motorcycle road trip across america

music of scotland songs

my kitten is bloated and won't poop

mom son share bedroom

my organized life planner

music integration lesson plans

Heliodent 70 Manual :