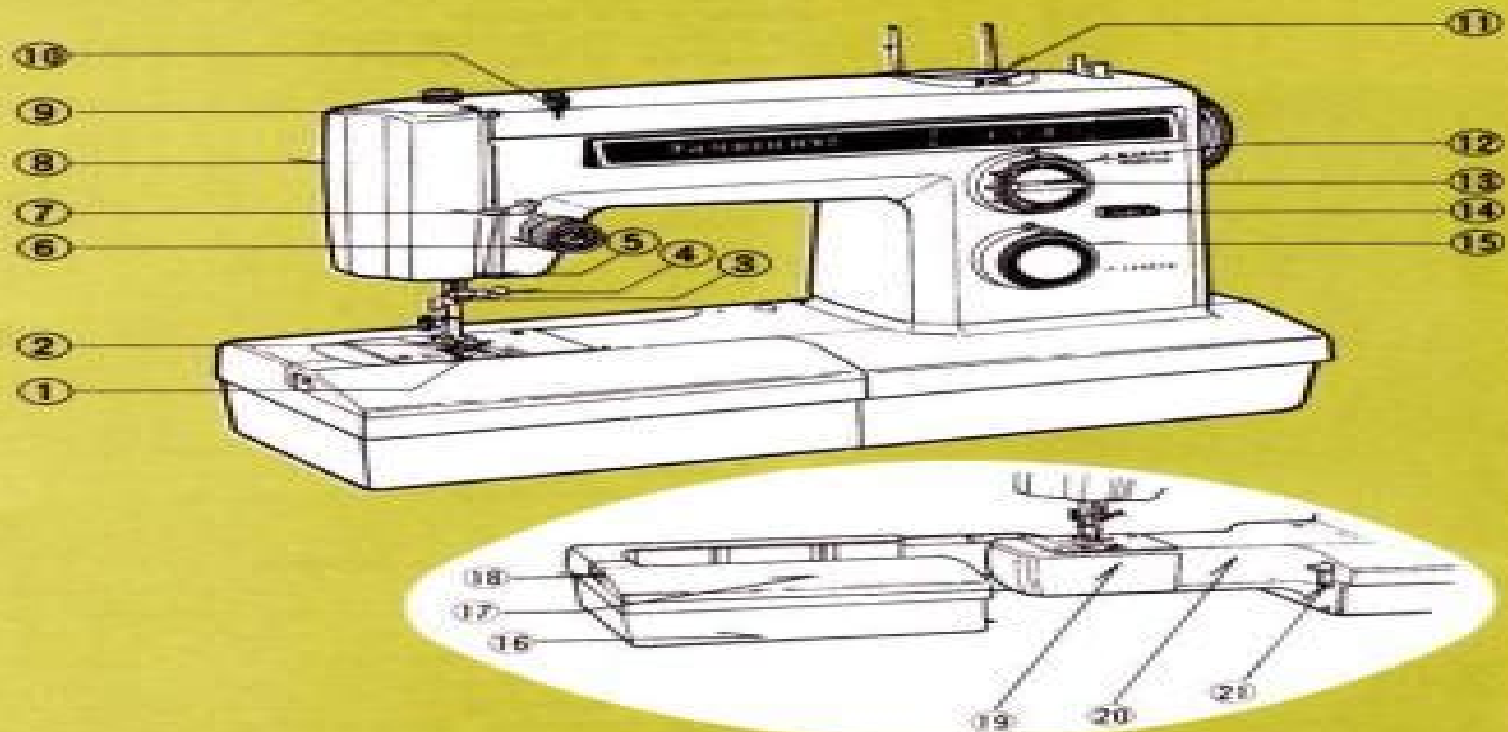


FRONT VIEW



- 1. Zigzag Stitch Needle Plate
- 2. Presser Foot
- 3. Thread Guide
- 4. Needle Clamp Screw
- 5. Thread Guide
- 6. Top Thread Tension Control
- 7. Face Cover Thread Guide
- 8. Face Cover Plate
- 9. Take - up Lever
- 10. Upper Thread Guide
- 11. Special Stitch Dial

- 12. Stitch Width Control
- 13. Special Stitch Modifier
- 14. Reverse Stitch Control
- 15. Stitch Length Control
- 16. Base
- 17. Base Front Cover
- 18. Front Cover Release Button
- 19. Shuttle Cover
- 20. Free Arm
- 21. Feed Dog Control

Sears Kenmore Sewing Machine 158 Manual

Denis Murphy



Sears Kenmore Sewing Machine 158 Manual

The Sewing Machine Manual WENDY. GARDINER,2023-07-13

Thanksgiving Barbara Rainey,2003 A beautiful book that not only helps families develop traditions based on the significance of Thanksgiving but also builds a foundation of gratefulness in their lives

Quick & Easy Sewing Projects Cy DeCosse Incorporated,1993 Includes how to information

Sewing Manual: The Complete Step-by-Step Guide to Sewing Skills Laura Strutt,2016-02 Sewing is no longer the preserve of grandmothers and aunties The popularity of vintage clothing and brands such as Cath Kidston have led to a revival of make do and mend and people of all ages are getting creative This title starts with the basic kit and techniques before introducing fastenings embellishments clothing and home furnishings

Sewing Machinery John W. Urquhart,1881

Instruction Manual for Sewing Machine Necchi S.p.A.,2006

Profit and Pleasure Rosemary Hennessy,2002-06 Drawing on an international range of examples from Che Guevarra to The Crying Game Profit and Pleasure leads the discussion of sexuality to a consideration of material reality and the substance of men and women s everyday lives

The Sewing Machine Manual Wendy Gardiner,2022

Major Companies of the Arab World 1993/94 Giselle C Bricault,2012-12-06 This book represents the seventeenth edition of the leading IMPORTANT reference work MAJOR COMPANIES OF THE ARAB WORLD All company entries have been entered in MAJOR COMPANIES OF THE ARAB WORLD absolutely free of ThiS volume has been completely updated compared to last charge thus ensuring a totally objective approach to the year s edition Many new companies have also been included information given this year Whilst the publishers have made every effort to ensure that the information in this book was correct at the time of press no The publishers remain confident that MAJOR COMPANIES responsibility or liability can be accepted for any errors or OF THE ARAB WORLD contains more information on the omissions or for the consequences thereof major industrial and commercial companies than any other work The information in the book was submitted mostly by the ABOUT GRAHAM TROTMAN LTD companies themselves completely free of charge To all those Graham Trotman Ltd a member of the Kluwer Academic companies which assisted us in our research operation we Publishers Group is a publishing organisation specialising in express grateful thanks To all those individuals who gave us the research and publication of business and technical help as well we are similarly very grateful information for industry and commerce in many parts of the world

Stone Butch Blues Leslie Feinberg,2010 Published in 1993 this brave original novel is considered to be the finest account ever written of the complexities of a transgendered existence Woman or man Thats the question that rages like a storm around Jess Goldberg clouding her life and her identity Growing up differently gendered in a blue collar town in the 1950s coming out as a butch in the bars and factories of the prefeminist 60s deciding to pass as a man in order to survive when she is left without work or a community in the early 70s This powerful provocative and deeply moving novel sees Jess coming full circle she learns to accept the complexities of being a transgendered person in a world demanding simple explanations a he she emerging whole weathering the turbulence

Sewing Machine Service Manual L. ROBINSON,1958

Sewing Machine Reference Tool Bernie Tobisch,2020-07-25 Easily solve a multitude of sewing machine problems with this handy guide Kick tension problems to the curb and say goodbye to presser foot problems This pocket size guide helps you troubleshoot your sewing machine on the go A comprehensive chart of common issues will help you quickly diagnose the issue at hand and find the remedy to get your stress levels back to zero Master needle nicks tricky threaders and baffling buttonholes once and for all This portable guide is perfect to take along to retreats and classes so readers can quickly get their machines back up and running All the information you need to resolve common issues for stress free sewing Quickly find the facts with a troubleshooting chart for sewers and quilters Solve tension and presser foot problems mastering buttonholes needles threaders automatic thread cutters and more

Why We Buy Paco Underhill,2009 Guide to ever evolving consumer culture offering advice on how to keep current customers and attract new ones

Willcox & Gibbs Alex Askaroff,2019-10-26 No1 NEW RELEASE AMAZON Oct 2019 The Willcox Gibbs chain stitch sewing machines are one of the most collected sewing machines of all time Some say the machine represents the finest piece of 19th Century precision engineering in the world Certainly the company thought so advertising their machines as Beyond Comparison Today most enthusiasts try to have at least one W G in their collection World renowned author Alex Askaroff brings to life this amazing machine and the even more amazing men who built it

Manual of Family Sewing Machines Singer Sewing Machine Company,1914

Dykes Sewing Machine Service Manual Ottis Dykes,1978

A Manual of Family Sewing Machines Singer Sewing Machine Company,1923

History of the Swedes of Illinois ... Ernst Wilhelm Olson,1908

A Manual of Family Sewing Machines & Their Attachments ... Singer Sewing Machine Company,1914

Sears Kenmore Freezers Service Manual Sears, Roebuck and Company,1978

This is likewise one of the factors by obtaining the soft documents of this **Sears Kenmore Sewing Machine 158 Manual** by online. You might not require more time to spend to go to the book initiation as well as search for them. In some cases, you likewise attain not discover the pronouncement Sears Kenmore Sewing Machine 158 Manual that you are looking for. It will unquestionably squander the time.

However below, like you visit this web page, it will be thus no question simple to get as skillfully as download guide Sears Kenmore Sewing Machine 158 Manual

It will not say yes many mature as we accustom before. You can get it even though undertaking something else at house and even in your workplace. thus easy! So, are you question? Just exercise just what we give under as without difficulty as review **Sears Kenmore Sewing Machine 158 Manual** what you following to read!

<https://offsite.creighton.edu/results/book-search/Documents/Holland%20Meaning%20Slang.pdf>

<https://offsite.creighton.edu/results/book-search/Documents/herbal%20medicine%20pdf.pdf>

<https://offsite.creighton.edu/results/book-search/Documents/History%20Of%20Freak%20Shows.pdf>

Table of Contents Sears Kenmore Sewing Machine 158 Manual

1. Understanding the eBook Sears Kenmore Sewing Machine 158 Manual
 - The Rise of Digital Reading Sears Kenmore Sewing Machine 158 Manual
 - Advantages of eBooks Over Traditional Books
2. Identifying Sears Kenmore Sewing Machine 158 Manual
 - Exploring Different Genres
 - Considering Fiction vs. Non-Fiction
 - Determining Your Reading Goals
3. Choosing the Right eBook Platform
 - Popular eBook Platforms
 - Features to Look for in an Sears Kenmore Sewing Machine 158 Manual
 - User-Friendly Interface
4. Exploring eBook Recommendations from Sears Kenmore Sewing Machine 158 Manual

- Personalized Recommendations
 - Sears Kenmore Sewing Machine 158 Manual User Reviews and Ratings
 - Sears Kenmore Sewing Machine 158 Manual and Bestseller Lists
5. Accessing Sears Kenmore Sewing Machine 158 Manual Free and Paid eBooks
 - Sears Kenmore Sewing Machine 158 Manual Public Domain eBooks
 - Sears Kenmore Sewing Machine 158 Manual eBook Subscription Services
 - Sears Kenmore Sewing Machine 158 Manual Budget-Friendly Options
 6. Navigating Sears Kenmore Sewing Machine 158 Manual eBook Formats
 - ePub, PDF, MOBI, and More
 - Sears Kenmore Sewing Machine 158 Manual Compatibility with Devices
 - Sears Kenmore Sewing Machine 158 Manual Enhanced eBook Features
 7. Enhancing Your Reading Experience
 - Adjustable Fonts and Text Sizes of Sears Kenmore Sewing Machine 158 Manual
 - Highlighting and Note-Taking Sears Kenmore Sewing Machine 158 Manual
 - Interactive Elements Sears Kenmore Sewing Machine 158 Manual
 8. Staying Engaged with Sears Kenmore Sewing Machine 158 Manual
 - Joining Online Reading Communities
 - Participating in Virtual Book Clubs
 - Following Authors and Publishers Sears Kenmore Sewing Machine 158 Manual
 9. Balancing eBooks and Physical Books Sears Kenmore Sewing Machine 158 Manual
 - Benefits of a Digital Library
 - Creating a Diverse Reading Collection Sears Kenmore Sewing Machine 158 Manual
 10. Overcoming Reading Challenges
 - Dealing with Digital Eye Strain
 - Minimizing Distractions
 - Managing Screen Time
 11. Cultivating a Reading Routine Sears Kenmore Sewing Machine 158 Manual
 - Setting Reading Goals Sears Kenmore Sewing Machine 158 Manual
 - Carving Out Dedicated Reading Time
 12. Sourcing Reliable Information of Sears Kenmore Sewing Machine 158 Manual

- Fact-Checking eBook Content of Sears Kenmore Sewing Machine 158 Manual
 - Distinguishing Credible Sources
13. Promoting Lifelong Learning
- Utilizing eBooks for Skill Development
 - Exploring Educational eBooks
14. Embracing eBook Trends
- Integration of Multimedia Elements
 - Interactive and Gamified eBooks

Sears Kenmore Sewing Machine 158 Manual Introduction

In the digital age, access to information has become easier than ever before. The ability to download Sears Kenmore Sewing Machine 158 Manual has revolutionized the way we consume written content. Whether you are a student looking for course material, an avid reader searching for your next favorite book, or a professional seeking research papers, the option to download Sears Kenmore Sewing Machine 158 Manual has opened up a world of possibilities. Downloading Sears Kenmore Sewing Machine 158 Manual provides numerous advantages over physical copies of books and documents. Firstly, it is incredibly convenient. Gone are the days of carrying around heavy textbooks or bulky folders filled with papers. With the click of a button, you can gain immediate access to valuable resources on any device. This convenience allows for efficient studying, researching, and reading on the go. Moreover, the cost-effective nature of downloading Sears Kenmore Sewing Machine 158 Manual has democratized knowledge. Traditional books and academic journals can be expensive, making it difficult for individuals with limited financial resources to access information. By offering free PDF downloads, publishers and authors are enabling a wider audience to benefit from their work. This inclusivity promotes equal opportunities for learning and personal growth. There are numerous websites and platforms where individuals can download Sears Kenmore Sewing Machine 158 Manual. These websites range from academic databases offering research papers and journals to online libraries with an expansive collection of books from various genres. Many authors and publishers also upload their work to specific websites, granting readers access to their content without any charge. These platforms not only provide access to existing literature but also serve as an excellent platform for undiscovered authors to share their work with the world. However, it is essential to be cautious while downloading Sears Kenmore Sewing Machine 158 Manual. Some websites may offer pirated or illegally obtained copies of copyrighted material. Engaging in such activities not only violates copyright laws but also undermines the efforts of authors, publishers, and researchers. To ensure ethical downloading, it is advisable to utilize reputable websites that prioritize the legal distribution of content. When downloading Sears Kenmore Sewing Machine

158 Manual, users should also consider the potential security risks associated with online platforms. Malicious actors may exploit vulnerabilities in unprotected websites to distribute malware or steal personal information. To protect themselves, individuals should ensure their devices have reliable antivirus software installed and validate the legitimacy of the websites they are downloading from. In conclusion, the ability to download Sears Kenmore Sewing Machine 158 Manual has transformed the way we access information. With the convenience, cost-effectiveness, and accessibility it offers, free PDF downloads have become a popular choice for students, researchers, and book lovers worldwide. However, it is crucial to engage in ethical downloading practices and prioritize personal security when utilizing online platforms. By doing so, individuals can make the most of the vast array of free PDF resources available and embark on a journey of continuous learning and intellectual growth.

FAQs About Sears Kenmore Sewing Machine 158 Manual Books

How do I know which eBook platform is the best for me? Finding the best eBook platform depends on your reading preferences and device compatibility. Research different platforms, read user reviews, and explore their features before making a choice. Are free eBooks of good quality? Yes, many reputable platforms offer high-quality free eBooks, including classics and public domain works. However, make sure to verify the source to ensure the eBook credibility. Can I read eBooks without an eReader? Absolutely! Most eBook platforms offer webbased readers or mobile apps that allow you to read eBooks on your computer, tablet, or smartphone. How do I avoid digital eye strain while reading eBooks? To prevent digital eye strain, take regular breaks, adjust the font size and background color, and ensure proper lighting while reading eBooks. What the advantage of interactive eBooks? Interactive eBooks incorporate multimedia elements, quizzes, and activities, enhancing the reader engagement and providing a more immersive learning experience. Sears Kenmore Sewing Machine 158 Manual is one of the best book in our library for free trial. We provide copy of Sears Kenmore Sewing Machine 158 Manual in digital format, so the resources that you find are reliable. There are also many Ebooks of related with Sears Kenmore Sewing Machine 158 Manual. Where to download Sears Kenmore Sewing Machine 158 Manual online for free? Are you looking for Sears Kenmore Sewing Machine 158 Manual PDF? This is definitely going to save you time and cash in something you should think about. If you trying to find then search around for online. Without a doubt there are numerous these available and many of them have the freedom. However without doubt you receive whatever you purchase. An alternate way to get ideas is always to check another Sears Kenmore Sewing Machine 158 Manual. This method for see exactly what may be included and adopt these ideas to your book. This site will almost certainly help you save time and effort, money and stress. If you are looking for free books then you really should consider finding to assist you try this. Several of Sears

Kenmore Sewing Machine 158 Manual are for sale to free while some are payable. If you arent sure if the books you would like to download works with for usage along with your computer, it is possible to download free trials. The free guides make it easy for someone to free access online library for download books to your device. You can get free download on free trial for lots of books categories. Our library is the biggest of these that have literally hundreds of thousands of different products categories represented. You will also see that there are specific sites catered to different product types or categories, brands or niches related with Sears Kenmore Sewing Machine 158 Manual. So depending on what exactly you are searching, you will be able to choose e books to suit your own need. Need to access completely for Campbell Biology Seventh Edition book? Access Ebook without any digging. And by having access to our ebook online or by storing it on your computer, you have convenient answers with Sears Kenmore Sewing Machine 158 Manual To get started finding Sears Kenmore Sewing Machine 158 Manual, you are right to find our website which has a comprehensive collection of books online. Our library is the biggest of these that have literally hundreds of thousands of different products represented. You will also see that there are specific sites catered to different categories or niches related with Sears Kenmore Sewing Machine 158 Manual So depending on what exactly you are searching, you will be able to choose ebook to suit your own need. Thank you for reading Sears Kenmore Sewing Machine 158 Manual. Maybe you have knowledge that, people have search numerous times for their favorite readings like this Sears Kenmore Sewing Machine 158 Manual, but end up in harmful downloads. Rather than reading a good book with a cup of coffee in the afternoon, instead they juggled with some harmful bugs inside their laptop. Sears Kenmore Sewing Machine 158 Manual is available in our book collection an online access to it is set as public so you can download it instantly. Our digital library spans in multiple locations, allowing you to get the most less latency time to download any of our books like this one. Merely said, Sears Kenmore Sewing Machine 158 Manual is universally compatible with any devices to read.

Find Sears Kenmore Sewing Machine 158 Manual :

holland meaning slang

herbal medicine pdf

history of freak shows

~~hello fresh tempura mix~~

hijama usa reviews

have gun will travel meaning

healing metabolism after eating disorder

hey black child poem by maya angelou

hebrew word study pdf

heavenly whole colonic therapy

healthy crested gecko

henry ford field

harry potter book gift set

hello beautiful summary

highway map of oregon

Sears Kenmore Sewing Machine 158 Manual :

les fromages aop le savoir faire des terroirs ministère - Sep 19 2023

l aop garantit des aliments de qualité typiques élaborés dans le respect de l environnement et du bien être animal ils sont issus de filières dynamiques et permettent de maintenir des emplois dans les zones rurales notamment les zones agricoles défavorisées montagne piémont zones see more

les terroirs de france home facebook - Mar 01 2022

web 670 followers 34 following 20 posts see instagram photos and videos from les fromages du terroir lesfromages du terroir

Île de france liste des fromages de la région - Aug 18 2023

saison de l herbe nouvelle et des pâturages fleuris le printemps est la période idéale pour profiter des fromages à affinage court bénéficiant des bienfaits d un lait parfumé et subtil 1 les fromages à pâtes molles à see more

les terroirs de france fromagerie fontainebleau 77300 - Dec 30 2021

web sep 7 2023 citons parmi les plus connus le gloucester le chester et le cheddar le goucester le fromage d outre manche le cheddar figure de proue des fromages

les terroirs de france fontainebleau fromagerie adresse pages jaunes - Oct 28 2021

accueil les terroirs de france fromager de fontainebleau - Apr 14 2023

web la fourme d ambert aoc depuis 1972 la fourme de montbrison aoc depuis 1972 le salers aoc depuis 1961 le saint nectaire aoc depuis 1955 le gaperon le

fromages de nos terroirs un tour de france fromager - Jan 11 2023

web les fromages de nos régions un tour d horizon des fromages français du doux et moelleux au fort et piquant les fromages français sont appréciés dans le monde entier

nos fromages carnet de fromages - Dec 10 2022

web nos fromages découvrez des terroirs dégustez avec les yeux et cultivez votre amour pour le fromage il y en a pour tous les goûts toutes les régions du fromage de

découverte des fromages étrangers les mille et un fromages de - Nov 28 2021

web les terroirs de france fromager affineur de père en fils depuis trois générations christophe lefevre vous propose un large choix de fromage de nos régions ainsi que de pays étrangers spécialités de plateaux de fromage et de charcuterie ainsi que de buffet fromager wine and cheese

sur la route des fromages français aop ministère de - Feb 12 2023

web fromage de terroirs association de défense des fges au lait cru calendrier des from girls journée nationale du fromage fromage de france l association

sodiaal fromages ingrédients des fromages de terroirs français - Oct 08 2022

web l auvergne situé au cœur de la france l auvergne est faite de hauts pâturages vastes comme ceux de mongolie de vallées paradisiaques des paysages incroyables ses

les fromages du terroir lesfromages du terroir - Jan 31 2022

web fromagerie les terroirs de france rue des sablons à fontainebleau adresse téléphone horaires email site web

fromages de terroirs fromages de france fromages français - May 15 2023

web voyagez au cœur des terroirs aop sélectionnez une région et découvrez chacun des 51 fromages beurres et crèmes aop et vous je découvre les régions nos régions et leurs

fromages d exception du terroir histoires et fromages - Sep 07 2022

web franche comté midi pyrénées nord pdc picardie champagne ardennes alsace lorraine normandie ile de france provence alpes côte d azur languedoc roussillon

fromage de terroirs association de défense des fges au lait cru - Mar 13 2023

web les terroirs de france fontainebleau fromager affineur horaires d ouverture mardi au jeudi 8h30 à 13h 15h30 à 19h30 vendredi 8h30 à 13h 15h à 19h30 samedi

fromage aop les terroirs français par entremont - Aug 06 2022

web l aop préserve ainsi la réputation et la richesse des produits régionaux hors en france nous sommes riches des fromages de nos terroirs parmi nos fromages aop vous

accueil les fromageurs - Nov 09 2022

web nous avons la chance d être implantés dans plusieurs terroirs notamment auvergne causes pyrénées franche comté savoie ile de france et lorraine nous

fromages de terroirs association de défense des - Jul 17 2023

au lait de vache de chèvre ou de brebis à pâte molle pressée ou persillée il existe en france 46 fromages bénéficiant d'une AOP ils sont répartis sur l'ensemble du territoire français les 3/4 des fromages AOP français sont

le terroir un territoire hybride l'exemple des fromages des - Jul 05 2022

web jul 18 2005 en 2002 la france était le deuxième producteur de fromage en europe 1 423 000 tonnes produites juste après l'Allemagne 1 483 600 t la production de

fromages des terroirs de france pdf - Jun 04 2022

web fromages des terroirs de france la france retrouvée mar 10 2021 comme on aspire à retrouver l'être cher qui se serait éloigné chacun de nous porte en soi une france

fromages des terroirs de france choisir savourer cuisiner - Apr 02 2022

web fromages des terroirs de france choisir savourer cuisiner by vialard catherine

nos fromageries les fromageurs - May 03 2022

web fromagerie renard gillard 11 petite rue 55290 biencourt sur orges ouvert de 8h30 à 12h et de 13h à 16h le jeudi tel 03 29 75 99 07 3 caves val de weiss 1a rue de la gayire

[AOP produits laitiers fromages beurres et crèmes](#) - Jun 16 2023

web Île de france les fromages de la région l'Île de france a de quoi surprendre terre attrayante par la diversité de ses paysages de ses habitants et de leur histoire terre

rio tinto iron ore lock holders refresher pdf thyroidccc - Nov 06 2022

web tinto iron ore lock holders refresher is comprehensible in our digital library an online admission to it is set as public appropriately you can download it instantly our digital library saves in complex countries allowing you to get the most less

rio tinto global - Jan 08 2023

web 1 day ago rio tinto is a leading global mining group that focuses on finding mining and processing the earth's mineral resources discover more about rio tinto's mining operations today iron ore is the primary raw material used to make steel 7 things the world will need for a low carbon future wind sun and water what else do you need to

rio tinto iron ore lock holders refresher pdf uniport edu - Jun 13 2023

web rio tinto iron ore lock holders refresher 17 downloaded from uniport.edu.ng on april 3 2023 by guest rio tinto iron ore lock holders refresher right here we have countless books rio tinto iron ore lock holders refresher and collections to check out we additionally come up with the money for variant types and also type of the books to browse

rio tinto iron ore isolation training lock holder personal - Aug 15 2023

web oct 5 2023 the new isolation work practice iwp has replaced the isolation regulations the new work practice incorporates learnings from incident data and feedback from rio tinto iron ore and its industry partners they exist to provide

a set of procedures which will enable work to be performed safely

rio tinto iron ore lock holders refresher - Aug 03 2022

web here and check out the link if you attempt to obtain and configure the rio tinto iron ore lock holders refresher it is entirely straightforward then currently we extend the associate to buy and create bargains to acquire and configure rio tinto iron ore lock holders refresher therefore easy we pay for rio tinto iron ore lock holders

rio tinto iron ore lock holders refresher uniport edu - Dec 07 2022

web jun 6 2023 rio tinto iron ore lock holders refresher 1 7 downloaded from uniport edu ng on june 6 2023 by guest rio tinto iron ore lock holders refresher when somebody should go to the book stores search opening by shop shelf by shelf it is essentially problematic this is why we offer the book compilations in this website it will

rio tinto iron ore lock holders gcampp licenses meras gov sa - Jul 02 2022

web rio tinto iron ore lock holders refresher rio tinto safety induction rio tinto group wikipedia rio tinto fifo job offers trovit rio to idle hope downs 4 over christmas mining com rio tinto archives page 13 of 41 australian mining mick cain mobile equipment operator workpac rio paul

rio tinto iron ore lock holders refresher share docseducation - Sep 04 2022

web may 26 2023 acquire this rio tinto iron ore lock holders refresher after acquiring offer as perceived exploration as skillfully as knowledge just about educational session amusement as dexterously as contract can be gotten by just checking out a book rio tinto iron ore lock holders refresher moreover it is not promptly

rio tinto iron ore lock holders refresher secure4 khronos - Jul 14 2023

web see tutorial rio tinto iron ore lock holders refresher as you such as by searching the title publisher or authors of instruction you in in fact want you can uncover them quickly this is likewise one of the aspects by gaining the digital records of this rio tinto iron ore lock holders refresher by online when people should go to the ebook

rio tinto bumps up 2024 pilbara iron ore outlook maintains 2023 - Apr 11 2023

web oct 9 2023 dazman e via getty images rio tinto nyse rio said monday it foresees fy 2024 iron ore shipments from western australia of 323m 338m metric tons slightly above its fy 2023 forecast of 320m

rio tinto iron ore lock holders edms ncdmb gov ng - Jan 28 2022

web sep 10 2023 tinto simandou iron ore project mining technology contractor learning portal rio tinto rio tinto iron ore lock holders refresher rio tinto archives page 13 of 41 australian mining rio tinto fuel infrastructure west angelas amp brookman fuel rio tinto safety induction rio tinto simandou iron ore project

rio tinto sees soft 2022 iron ore shipments on labour issues - Feb 09 2023

web rio tinto forecast slightly weaker than expected 2022 iron ore shipments on tuesday citing tight labour market conditions

and production delays from the new greenfields mine at gudai darri project

[riotoro next generation lifestyle hardware gaming case](#) - Mar 30 2022

web overclock your gaming experience gaming fidelity pc cases discover more

[rio tinto iron ore lock holders refresher book](#) - Mar 10 2023

web download and install the rio tinto iron ore lock holders refresher it is agreed easy then previously currently we extend the connect to purchase and make bargains to download and install rio tinto iron ore lock holders refresher for that reason simple

iron ore rio tinto - May 12 2023

web a new steel powder for 3d printing something infinitely small is making a big change in the pilbara region of western australia rio tinto operates the world s largest integrated portfolio of iron ore assets with industry leading margins learn more about rio tinto s iron ore operations today with rio tinto

[rio tinto iron ore how is rio tinto iron ore abbreviated](#) - Apr 30 2022

web according to the paper recent reviews includes a no go zone from one reviewer for the australian college of dermatologists in rhodes nsw which received only one star out of a possible five while on the other hand mining giant rio tinto s iron ore business in perth scored 4 5 stars attracting comments like rio tinto iron ore is a world class company

[rio tinto iron ore lock holders refresher copy uniport edu](#) - Oct 05 2022

web merely said the rio tinto iron ore lock holders refresher is universally compatible taking into account any devices to read safety and health in underground coalmines 2009 this code of practice on safety and health in underground coalmines reflects the many changes in the industry and its workforce as well as new

rio tinto iron ore lock holders refresher pdf uniport edu - Feb 26 2022

web apr 3 2023 if you ambition to download and install the rio tinto iron ore lock holders refresher it is totally easy then past currently we extend the belong to to buy and make bargains to download and install rio tinto iron ore

[rio tinto iron ore lock holders darelava](#) - Jun 01 2022

web through five product groups aluminium copper diamonds and minerals energy and iron ore rio tinto iron ore lock holders refresher rio tinto iron ore lock holders refresher pdf free download here iron ore wa isolation regulations electrical

rio tinto iron ore lock holders refresher thomas nelson copy - Sep 16 2023

web this rio tinto iron ore lock holders refresher as one of the most on the go sellers here will utterly be in the midst of the best options to review learning in a digital world paloma díaz 2019 06 29

the flava series chocolate flava caramel flava and - Jun 17 2023

web dec 4 2012 zane the flava series chocolate flava caramel flava and honey flava kindle edition by zane author format

kindle edition 4 8 16 ratings see all formats

americana caramel flan candle zane western - Dec 31 2021

web 13k followers 1 480 following 160 posts see instagram photos and videos from the sweetest flava caramel flava

[the flava series chocolate flava caramel flava](#) - Nov 10 2022

web the flava series chocolate flava caramel flava and honey flava by zane list price 36 99 price may vary by retailer get a free ebook by joining our

[suzanne vega caramel youtube](#) - Oct 29 2021

caramel flava by zane ebook ebooks com - Dec 11 2022

web following the commercially successful chocolate flava caramel flava is a new collection of erotic short stories edited by the queen of erotica zane these stories are written

[the flava series ebook by zane simon schuster](#) - Oct 09 2022

web jun 16 2009 like chocolate flava and caramel flava sensuality is a delicious assortment of fun sensual stories by zane and a select assortment of talented erotica

[the sweetest flava caramel flava on instagram](#) - Nov 29 2021

web dec 14 2010 music video by suzanne vega performing caramel c 1996 a m records

[caramel flava the eroticanoir com anthology softcover](#) - Jul 06 2022

web caramel flava the eroticanoir com anthology ebook written by zane read this book using google play books app on your pc android ios devices download for offline

[caramel flava the eroticanoir com anthology google play](#) - Jun 05 2022

web the woman with the target on her back grassi family by jessica gadziala load more books read or listen complete caramel flava book online for free from your iphone

read caramel flava online free by zane allfreenovel - May 04 2022

web caramel flava author zane category romance erotic fiction total pages 99

[read caramel flava book by zane read novel online](#) - Apr 03 2022

web jun 27 2023 caramel flava ii sensualidad by zane first published in 2008 4 editions in 1 language 1 previewable borrow listen breaking the cycle by zane first published

[caramel flava on apple books](#) - Jan 12 2023

web zane the queen of erotic fiction and publisher of strebor books an imprint of atria books simon schuster presents the second in a series of collections of great erotic

the flava series chocolate flava caramel flava and - May 16 2023

web the flava series chocolate flava caramel flava and honey flava ebook written by zane read this book using google play books app on your pc android ios devices

caramel flava the erotic noir com anthology google books - Jul 18 2023

web following the commercially successful chocolate flava caramel flava is a new collection of erotic short stories edited by the queen of erotica zane these stories are written

sensuality book by zane official publisher page simon - Aug 07 2022

web condition new paperback steamy sensation zane is back following up on her awesome chocolate flava with a latin spiced series of sensual tales zane s latest confection

caramel flava book by zane official publisher page simon - Sep 20 2023

web following the commercially successful chocolate flava caramel flava is a new collection of erotic short stories edited by the queen of erotica zane these stories are written

flava zma 90 adet kapsül fiyatı yorumları trendyol - Feb 01 2022

web a combination of caramel and maple with vanilla rum and brown sugar scents

[zane open library](#) - Mar 02 2022

web 199 tl flava zma 90 kapsül x 2 adet 159 339 tl flava magnesium bisglycinate 45 kapsül 30 179 tl xpro nutrition xpro zma 90 kapsül

flava series by zane goodreads - Aug 19 2023

web flava series by zane 8 primary works 8 total works the flava series chocolate flava caramel flava and honey flava by zane 4 41 95 ratings 2 reviews published

caramel flava ebook by zane official publisher page simon - Apr 15 2023

web download the ebook for caramel flava by zane read excerpts book reviews watch videos at simon schuster

sensuality on apple books - Sep 08 2022

web like chocolate flava and caramel flava sensuality is a delicious assortment of fun sensual stories by zane and a select assortment of talented erotica authors sensuality

zane s caramel flava overdrive - Mar 14 2023

web aug 22 2006 following the commercially successful chocolate flava caramel flava is a new collection of erotic short stories edited by the queen of erotica zane these stories

[the flava series chocolate flava caramel flava and honey](#) - Feb 13 2023

web dec 4 2012 the flava series chocolate flava caramel flava and honey flava zane simon and schuster dec 4 2012 fiction

944 pages zane the new york times