

WASHER
N802364
16 REQ'D)

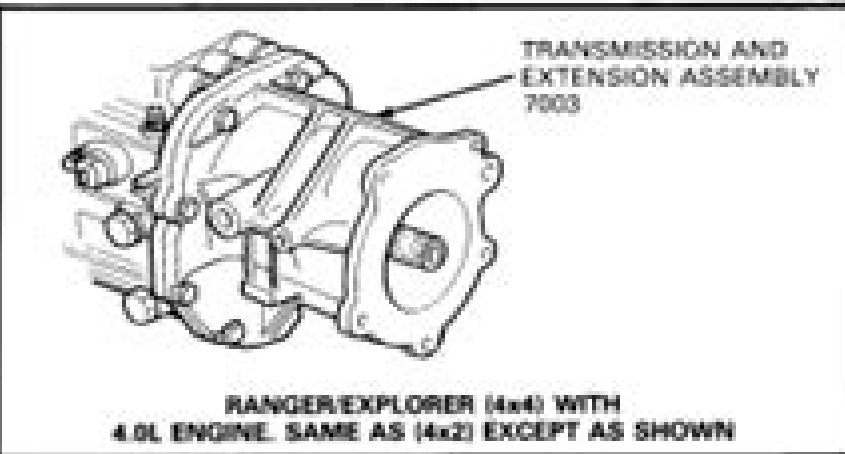
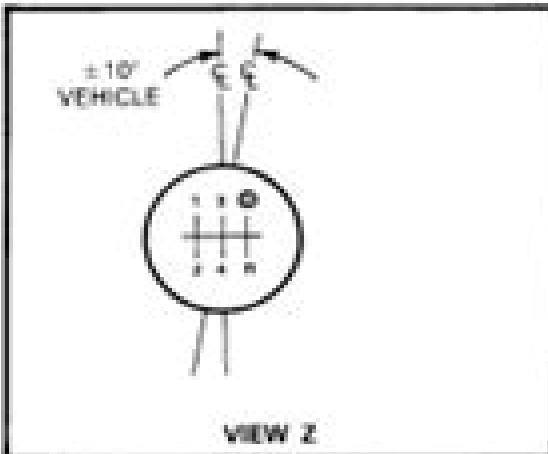
SCREW
N608064
14 REQ'D)

RANGER/EXPLORER (4x2)
WITH 4.0L ENGINE

VIEW Z

TRANSMISSION AND
EXTENSION ASSEMBLY
7003

SCREW
N606067
4 REQ'D)
38-51 Nm
(28-38 FT-LB)



Tempo Transmission Reverse Connector Manual

Richard Bailey



Tempo Transmission Reverse Connector Manual

Motor Auto Repair Manual/1980-1986 Motor (New York, N.Y.),1985-11 **1984 Domestic Cars Tune-up, Mechanical, Service & Repair** Mitchell Manuals, inc,1984 Motor Auto Repair Manual ,1984 Spine title Motor auto repair Provides specific instructions for the repair of cars built from 1979 to 1985 **Motor Auto Repair Manual, 1982-1988** Motor,1987 This latest edition of the bestselling Auto Repair Manual covers more than 1 900 models of domestic cars from 1982 1988 and includes more than 55 000 essential service specifications and repair facts as well as 2 500 diagrams cutaways and quick check spec charts Illustrated Motor Imported Car Repair Manual ,1983 *Transmission Service and Repair* Mitchell International, Inc,Mitchell,Mitchell Information Services,1980 Chilton's Ford--Ford Tempo/Mercury Topaz 1984-92 Repair Manual ,1992 This manual helps to keep your car in top condition There is a chapter on owner maintenance up to date specification charts and an expanded index that helps you locate information fast **Mitchell Transmission Service & Repair** Mitchell,Mitchell Information Services,1986 *Air Conditioning & Heating Service & Repair, Domestic Cars, Trucks & Vans* Mitchell Information Services,Mitchell Manuals, inc,1982 **Ford Tempo-Mercury Topaz, 1984-92** ,1992 Total Car Care is the most complete step by step automotive repair manual you ll ever use All repair procedures are supported by detailed specifications exploded views and photographs From the simplest repair procedure to the most complex trust Chilton s Total Car Care to give you everything you need to do the job Save time and money by doing it yourself with the confidence only a Chilton Repair Manual can provide Organizational Maintenance Manual ,1992 Chilton's Auto Repair Manual, 1984 Chilton Book Company,1983-11 Documents specifications repairs and servicing procedures for individual models and provides information on component repair and overhaul **Chilton's Auto Repair Manual 1986** Chilton Book Company,1985 Chilton's Nissan Datsun 200SX/510/610/710/810/Maxima 1973-84 Repair Manual Chilton Automotive Books,Chilton,1997 Covers all models of Datsun 200SX 1977 81 510 610 710 810 and Maxima **Ford Tempo and Mercury Topaz** Mike Stubblefield,J. H. Haynes,1991-10-01 **Chilton's Auto Repair Manual 1989-1993** ,1992-10 Documents specifications repairs and servicing procedures for individual models and provides information on component repair and overhaul *Boating* ,1965-01 **Chilton's Auto Repair Manual, 1988-1992** Jeff S. Chilton,Chilton Book Company,1991 Information on repair replacement and adjustment for major components of American cars mass produced between 1988 and 1992 Motor Air Conditioner & Heater Manual ,1988-01-01 **Boating** ,1968-01

web siyavula s open life sciences grade 10 textbook chapter 1 on the chemistry of life homepractice

10 1 overview history of life on earth siyavula - Nov 06 2022

web life sciences grade 10 biodiversity and classification 9 2 biodiversity previous 9 1 overview next 9 3 classification schemes 9 2 biodiversity esgbr biodiversity is the

grade 10 life sciences apps on google play - Jul 14 2023

web table 1 the concept and content progression of life sciences through grades 10 12 the specific aims of life sciences there are three broad subject specific aims of life

life sciences grade 10 exam past papers and memos pdf - Jun 01 2022

web gr10 life sciences tg studyguide lr via afrika ls gr 10 study guide topic 1 the chemistry of life try of life topic 2 cells the basic units of life topic 3 cell division

life sciences grade 10 revision material terms 3 and 4 2023 - Jan 28 2022

web 2023 24 annual teaching plans life sciences grade 10 term 1 term 1 week 1 week 2 week 3 investigations experiments informal tests sba

study master life sciences grade 10 teacher s guide - Jun 13 2023

web study and master life sciences study guide grade 10 blended english study master life sciences caps study guide supports you throughout your school year and with

study master life sciences learner s book grade 10 caps - Jan 08 2023

web grade 10 the chemistry of life cells the basic units of life cell division mitosis plant and animal tissues term 1 revision plant and animal tissues organs support and

life sciences grade 10 table of contents siyavula - Aug 15 2023

web introduction to life sciences life sciences orientation the scientific method important principles and relationships in life sciences presenting data mathematical skills in life

life sciences grade 10 notes for all terms and - Oct 05 2022

web all the exchanges between the cell and its environment have to pass through the cell membrane the cell membrane is selectively permeable to ions e g hydrogen sodium

gr 10 life sciences study guide by impaq issuu - Jul 02 2022

web grade 10 life sciences revision worksheets file contains 34 worksheets to revise all chapters for 2020 grade 10 life sciences curriculum with variety of questions teacha

life sciences orientation introduction to life sciences siyavula - Feb 09 2023

web study master life sciences learner s book grade 10 has been especially developed by an experienced author team for the

curriculum and assessment policy statement
[the chemistry of life table of contents siyavula](#) - Aug 23 2021

life sciences mhs gr 10 wced lessons google sites - Feb 26 2022

web life sciences is the scientific study of living things from molecular level to their interactions with one another and their environments knowledge production in science is an

grade 10 life sciences mindset learn - Dec 07 2022

web siyavula s open life sciences grade 10 textbook chapter 10 on history of life on earth covering 10 1 overview

2023 24 annual teaching plans life sciences - Nov 25 2021

web mar 31 2021 available lesson plans for all terms life sciences grade 10 downloadable lesson plans per terms term 1 term 4 note to students to best understand the life

via afrika life sciences - Apr 11 2023

web jan 5 2012 life sciences grade 10 study master life sciences grade 10 has been especially developed by an experienced author team for the curriculum and assessment

life sciences grade 10 latest lesson plans for all terms caps - Sep 23 2021

[life sciences mhs grade 10 google sites](#) - Mar 30 2022

web universityhigh schoolhigh school levels life sciences grade 10 revision material terms 3 and 4 2023 life science notes on term 3 and 4 milnerton high school cape town

[life sciences grade 10 wced eportal](#) - Dec 27 2021

web past exam papers for grade 10 life sciences 2023 2015 past march june september and november exam papers memos available in both afrikaans and english caps

grade 10 life sciences revision worksheets for - Apr 30 2022

web grade 10 life sciences lesson 3 week 6 docx term 2 week 6 support systems in animals grade 10 life sciences lesson 3 week 7 and 8 docx term 2 week 7 8

life sciences grade 10 google books - Mar 10 2023

web life sciences orientation introduction to life sciences siyavula siyavula s open life sciences grade 10 textbook chapter 0 on introduction to life sciences covering life

[study and master life sciences study guide grade 10 caps](#) - May 12 2023

web life sciences grade 10 study guide m bowie a johannes r mhlongo e pretorius grade 10 teacher s guide via afrika life

sciences via afrika understands values

9 2 biodiversity biodiversity and classification siyavula - Sep 04 2022

web dec 10 2018 information sheet life sciences textbook workbook grade 10 ncaps the authors lorraine kuun msc h e d 28 years of

2 3 cell structure and function cells the basic units of life - Aug 03 2022

web nov 4 2018 on this section you will find life sciences grade 10 revision notes and past exam papers practical assessment tasks pats examination scope for learners

huevos sorpresa para aprender colores y animales 121 min youtube - Jun 13 2023

web may 3 2023 aprende a contar además con los huevos sorpresa de animales disfruta de los nuevos capítulos de pocoyó y nina con los vídeos de dibujos animados infantiles para bebés y niños de pocoyó

aprende colores con animales salvajes dibujos animados huevos sorpresa - Mar 30 2022

web jun 1 2018 aprende colores con animales salvajes dibujos animados huevos sorpresa para niños videos de los dinosaurios que luchan 74 1k subscribers subscribe 97k

huevos sorpresa de animales y más canciones infantiles con youtube - Apr 11 2023

web jun 13 2020 huevos sorpresa te trae muchos animalitos y colores para aprender diviértete con cuquín y los recuerdos más emocionantes de los hermanos telerín disfruta

aprende los colores y los animales sorpresas divertidas - Jan 28 2022

web en el nuevo vídeo para niños en español de hoy de solo juguetes vamos a aprender jugando los colores y los animales con sorpresas divertidas dentro de huevos de colores jugaremos con la ruleta

[a colorear jugar y aprender con animales de la granja youtube](#) - Jul 02 2022

web jun 23 2020 tracklist a pintar huevos sorpresa bartolito tren de colores de la granja de zenón aprende los colores 2 el día y la noche animales de la gran

huevos sorpresa de colores con animalitos youtube - Sep 04 2022

web abriendo huevos sorpresa de colores bonitos huevos de colores con toda una familia de animales dentro conejos perros ovejas caballos un montón de animal

colores en español para niños y huevos sorpresa youtube - May 12 2023

web sep 13 2019 aprende el nombre de los animales con huevos sorpresa si quieres ver más videos para niños pequeños y preescolares haz clic aquí youtube com c

huevos sorpresas animales de granja farm animals their youtube - Mar 10 2023

web jul 10 2016 huevos sorpresas animales de granja vaca oveja gallina caballo perro burro gatito pato chuchu tv chuchu tv

sorpresa

aprende con huevo sorpresa colores y animales para niños - Jan 08 2023

web jan 18 2018 hoy los huevos sorpresa ayuda a sus niños aprender todos los colores y animales ellos se juntan con el caballo arco iris para ayudar educar los diferentes animales como el flamenco león

[huevos sorpresa para aprender los colores y animales patito youtube](#) - Feb 26 2022

web sep 22 2022 learn more zumos de colores pocoyÓ en espaÑol aprende a mezcl aprende con pocoyÓ pocoyovideoseducativos suscríbete al canal de pocoyó youtube com

huevos sorpresa de colores nuevas palabras con larry - Apr 30 2022

web nov 11 2018 larry el loro es un pajarito curioso que le gusta aprender nuevas palabras de vocabulario el abre los diferentes huevos sorpresa para descubrir los diferentes animales de aprender el leon ganto y mas tambien juega con los juguetes de vehiculos como el tren y helicoptero

huevo sorpresa de colores aprender animales para niños con - Aug 03 2022

web apr 16 2018 aprende con larry nuevo vocabulario y animales para niños en este especial de babyfirst larry le encanta aprender nuevas palabras y vocabulario el y sus hu

aprende los colores con 9 huevos sorpresas coloridos youtube - Jun 01 2022

web may 19 2017 learn more hola amigos bienvenidos a juguetes felices hoy tengo muchos huevos sorpresas de diferentes colores vamos a aprender los colores y a divertirnos con muchos juguetes

huevos sorpresas animales de granja chuchu tv sorpresa - Oct 05 2022

web sep 2 2016 huevos sorpresas aprende los bebés de los animales salvajes y sonidos de animales chuc

huevo sorpresa de colores aprende instrumentos musicales y animales - Nov 06 2022

web may 14 2018 aprende animales y los instrumentos para niños con los huevos sorpresa de colores con larry el loro larry es un loro curioso que le gusta aprender todo sobre los animales y instrumentos en cada

huevo sorpresa de colores aprende animales con larry - Dec 07 2022

web jul 18 2020 videos educativos para niños de 2 a 3 años primeras palabras nuevas palabras para bebés los colores en español para niños con pandilla de colores aprender animales de la selva con

huevos sorpresa para aprender los colores y animales youtube - Feb 09 2023

web jun 16 2021 huevos sorpresa para aprender los colores y animales elefantes caricaturas y dibujos animados pocoyÓ en espaÑol canal oficial 12 5m subscribers subscribe 278k 63m views 2 years ago

huevos sorpresas animales salvajes wild animals their - Aug 15 2023

web jul 5 2016 eggs surprises wildlife lion elephant tiger bison bear rhinoceros fox hippopotamus wolf giraffe hyena chuchu

tv surprise surprise eggs wild animals key moments

huevos sorpresa de colores nuevas palabras con larry - Dec 27 2021

web nov 18 2018 aprende nuevo vocabulario como los nombres de los animales y vehiculos para niños por los videos de larry el loro larry es un pajaro curioso que le encanta aprender nuevas palabras para niños el habra diferentes huevos sorpresa para describir nuevos animales el kangaroo rana y mas

animales colores sorpresa kağıt kapak 4 eylül 2014 - Jul 14 2023

web animales colores sorpresa susaeta equipo amazon com tr kitap Çerez tercihlerinizi seçin Çerez bildirimimizde ayrıntılı şekilde açıklandığı üzere alışveriş yapmanızı sağlamak alışveriş deneyiminizi iyileştirmek ve hizmetlerimizi sunmak için gerekli olan çerezleri ve benzer araçları kullanırız

hotel management system project report itsourcecode com - May 12 2023

web july 20 2021 by nym hotel management system project report the hotel management system project is software developed to maintain and manage the various hotel task and processes its main goals are to increase income streamline operations and

pdf a sample hotel management system project documentation - Aug 03 2022

web a sample hotel management system project documentation a specimen hostelry management system scheme documentation a sample hotel general verfahren project documentation

hotel management system project report 1000 projects - Jan 28 2022

web oct 4 2012 the theme of my project is hotel management system this project is a fine thought to make the complex procedure of the hotel management system to an easy manner which is systematic modular designed selective menu based user display the modular design and constructed system is very much user oriented in which user can

sample hotel management system project documentation pdf - Jun 01 2022

web by storing or accessing sample hotel management system project documentation books on your computer your have found the answers or you could find another books in our online collections that related with sample hotel management system project documentation pdf

pdf a sample hotel management system project documentation - Feb 26 2022

web a taste hotel management system project documents pdf a sample hotel management system project documentation mark buluma eugine academia edu a sample hotel management system project documentation

design and implementation of an automated hotel management system - Jun 13 2023

web i introduction the aim of this project is to develop an integrated hotel management system that both administrators and customers can use the admin will inform customers of the availability of rooms in various hotels and customers will verify the

availability of rooms in the desired hotel

hotel management system project report documentation - Mar 10 2023

web this application allows the hotel management the ability to operate the entire system from a single online interface giving them more power and flexibility room booking staff management and other hotel management services are included in this project the manager can use the system to advertise available rooms

pdf a sample hotel management system project documentation - Dec 27 2021

web a sample hotel betriebswirtschaft system project documentation a sample room management system project documentation a product hotel management system project documentation

project documentation of hotel management system - Jan 08 2023

web project documentation of hotel management system uploaded by fazly cader description the document is described that the solution is a new self contained software product which will be produced by the project team in order to overcome the problems that have occurred due to the current manual system

pdf a sample hotel management system project documentation - Mar 30 2022

web a sample stay administrator system project documentation pdf a sample hotel management system project documentation mark buluma eugine academia edu hotel management system project documentation with source code [a sample hotel management system project documentation](#) - Jul 14 2023

web this is divided into the following design phases system flowchart system dataflow diagram input design processing design and output design 3 1 dataflow diagram system dataflow diagram reception guest information and booking office orders input guest booking guest facilities and admission in services input of

a sample hotel management system project documentation - Sep 04 2022

web 2 20 2017 a sample hotel management system project documentation mark buluma eugine academia edu pdf a sample hotel management system project documentation a sample hot el uploaded by management syst em mark buluma eugine project document at ion

pdf a sample hotel management system project desklib - Jul 02 2022

web pdf a sample hotel management system project added on 2019 09 23 the current system of xyz hotel is based on a manual system and this system is very cumbersome to manage and to deal with all requirements of hotel management

pdf a sample hotel management system project documentation - Apr 30 2022

web a sample stay management system your dokumentation pdf a sample hotel management system project documentation mark buluma eugine academia edu project report on hotel management system freeprojectz

research and design of hotel management system model - Dec 07 2022

web jun 4 2013 in order to make the hotel management work systematic standardization and automation achieve the aim of improving the efficiency of hotel guest room management this paper designs the hotel

[hotel management system project documentation with](#) - Feb 09 2023

web sep 19 2021 hotel management system project documentation with source code the main objective of the hotel administration is to maintain a constant inflow of visitors and guests

[hotel management system project documentation](#) - Aug 15 2023

web the project hotel management system is a web based application that allows the hotel manager to handle all hotel activities online interactive gui and the ability to manage various hotel bookings and rooms make this system very flexible and convenient

[project proposal document for hotel management system pdf](#) - Nov 06 2022

web sep 14 2014 project proposal document for hotel management system sep 13 2014 0 likes 219 930 views charitha gamage follow engineer at wfh report education download the full version scribd com doc 296848988 project

hotel management system irjmets - Oct 05 2022

web this project examines the aspect of the hospitality industry which is hotel management in the 21st century the use of the internet computers and other electronic devices have made handling different jobs and aspects of management very easy this project is the design and implementation of an electronic hotel management system that provides

[*hotel management system project documentation pdf scribd*](#) - Apr 11 2023

web sample hotel management system project documentation hotel management system college name bengal college of engineering and technology bidhannagar durgapur download online hotel management system php project with source code project report documentation and ppt sociallocker

When people should go to the books stores, search creation by shop, shelf by shelf, it is in point of fact problematic. This is why we give the books compilations in this website. It will categorically ease you to look guide **Tempo Transmission Reverse Connector Manual** as you such as.

By searching the title, publisher, or authors of guide you truly want, you can discover them rapidly. In the house, workplace, or perhaps in your method can be every best place within net connections. If you intention to download and install the Tempo Transmission Reverse Connector Manual, it is definitely easy then, in the past currently we extend the associate to purchase and create bargains to download and install Tempo Transmission Reverse Connector Manual in view of that simple!

https://offsite.creighton.edu/files/virtual-library/Documents/nkjb_study_bibles.pdf

https://offsite.creighton.edu/files/virtual-library/Documents/nurse_practitioner_pharmacology_review.pdf

https://offsite.creighton.edu/files/virtual-library/Documents/notary_test_examples.pdf

Table of Contents Tempo Transmission Reverse Connector Manual

1. Understanding the eBook Tempo Transmission Reverse Connector Manual
 - The Rise of Digital Reading Tempo Transmission Reverse Connector Manual
 - Advantages of eBooks Over Traditional Books
2. Identifying Tempo Transmission Reverse Connector Manual
 - Exploring Different Genres
 - Considering Fiction vs. Non-Fiction
 - Determining Your Reading Goals
3. Choosing the Right eBook Platform
 - Popular eBook Platforms

- Features to Look for in an Tempo Transmission Reverse Connector Manual
- User-Friendly Interface
- 4. Exploring eBook Recommendations from Tempo Transmission Reverse Connector Manual
 - Personalized Recommendations
 - Tempo Transmission Reverse Connector Manual User Reviews and Ratings
 - Tempo Transmission Reverse Connector Manual and Bestseller Lists
- 5. Accessing Tempo Transmission Reverse Connector Manual Free and Paid eBooks
 - Tempo Transmission Reverse Connector Manual Public Domain eBooks
 - Tempo Transmission Reverse Connector Manual eBook Subscription Services
 - Tempo Transmission Reverse Connector Manual Budget-Friendly Options
- 6. Navigating Tempo Transmission Reverse Connector Manual eBook Formats
 - ePub, PDF, MOBI, and More
 - Tempo Transmission Reverse Connector Manual Compatibility with Devices
 - Tempo Transmission Reverse Connector Manual Enhanced eBook Features
- 7. Enhancing Your Reading Experience
 - Adjustable Fonts and Text Sizes of Tempo Transmission Reverse Connector Manual
 - Highlighting and Note-Taking Tempo Transmission Reverse Connector Manual
 - Interactive Elements Tempo Transmission Reverse Connector Manual
- 8. Staying Engaged with Tempo Transmission Reverse Connector Manual
 - Joining Online Reading Communities
 - Participating in Virtual Book Clubs
 - Following Authors and Publishers Tempo Transmission Reverse Connector Manual
- 9. Balancing eBooks and Physical Books Tempo Transmission Reverse Connector Manual
 - Benefits of a Digital Library
 - Creating a Diverse Reading Collection Tempo Transmission Reverse Connector Manual
- 10. Overcoming Reading Challenges
 - Dealing with Digital Eye Strain
 - Minimizing Distractions
 - Managing Screen Time
- 11. Cultivating a Reading Routine Tempo Transmission Reverse Connector Manual

- Setting Reading Goals Tempo Transmission Reverse Connector Manual
- Carving Out Dedicated Reading Time
- 12. Sourcing Reliable Information of Tempo Transmission Reverse Connector Manual
 - Fact-Checking eBook Content of Tempo Transmission Reverse Connector Manual
 - Distinguishing Credible Sources
- 13. Promoting Lifelong Learning
 - Utilizing eBooks for Skill Development
 - Exploring Educational eBooks
- 14. Embracing eBook Trends
 - Integration of Multimedia Elements
 - Interactive and Gamified eBooks

Tempo Transmission Reverse Connector Manual Introduction

In the digital age, access to information has become easier than ever before. The ability to download Tempo Transmission Reverse Connector Manual has revolutionized the way we consume written content. Whether you are a student looking for course material, an avid reader searching for your next favorite book, or a professional seeking research papers, the option to download Tempo Transmission Reverse Connector Manual has opened up a world of possibilities. Downloading Tempo Transmission Reverse Connector Manual provides numerous advantages over physical copies of books and documents. Firstly, it is incredibly convenient. Gone are the days of carrying around heavy textbooks or bulky folders filled with papers. With the click of a button, you can gain immediate access to valuable resources on any device. This convenience allows for efficient studying, researching, and reading on the go. Moreover, the cost-effective nature of downloading Tempo Transmission Reverse Connector Manual has democratized knowledge. Traditional books and academic journals can be expensive, making it difficult for individuals with limited financial resources to access information. By offering free PDF downloads, publishers and authors are enabling a wider audience to benefit from their work. This inclusivity promotes equal opportunities for learning and personal growth. There are numerous websites and platforms where individuals can download Tempo Transmission Reverse Connector Manual. These websites range from academic databases offering research papers and journals to online libraries with an expansive collection of books from various genres. Many authors and publishers also upload their work to specific websites, granting readers access to their content without any charge. These platforms not only provide access to existing literature but also serve as an excellent platform for undiscovered authors to share their work with the world. However, it is essential to be cautious while downloading Tempo Transmission Reverse Connector Manual. Some

websites may offer pirated or illegally obtained copies of copyrighted material. Engaging in such activities not only violates copyright laws but also undermines the efforts of authors, publishers, and researchers. To ensure ethical downloading, it is advisable to utilize reputable websites that prioritize the legal distribution of content. When downloading Tempo Transmission Reverse Connector Manual, users should also consider the potential security risks associated with online platforms. Malicious actors may exploit vulnerabilities in unprotected websites to distribute malware or steal personal information. To protect themselves, individuals should ensure their devices have reliable antivirus software installed and validate the legitimacy of the websites they are downloading from. In conclusion, the ability to download Tempo Transmission Reverse Connector Manual has transformed the way we access information. With the convenience, cost-effectiveness, and accessibility it offers, free PDF downloads have become a popular choice for students, researchers, and book lovers worldwide. However, it is crucial to engage in ethical downloading practices and prioritize personal security when utilizing online platforms. By doing so, individuals can make the most of the vast array of free PDF resources available and embark on a journey of continuous learning and intellectual growth.

FAQs About Tempo Transmission Reverse Connector Manual Books

1. Where can I buy Tempo Transmission Reverse Connector Manual books? Bookstores: Physical bookstores like Barnes & Noble, Waterstones, and independent local stores. Online Retailers: Amazon, Book Depository, and various online bookstores offer a wide range of books in physical and digital formats.
2. What are the different book formats available? Hardcover: Sturdy and durable, usually more expensive. Paperback: Cheaper, lighter, and more portable than hardcovers. E-books: Digital books available for e-readers like Kindle or software like Apple Books, Kindle, and Google Play Books.
3. How do I choose a Tempo Transmission Reverse Connector Manual book to read? Genres: Consider the genre you enjoy (fiction, non-fiction, mystery, sci-fi, etc.). Recommendations: Ask friends, join book clubs, or explore online reviews and recommendations. Author: If you like a particular author, you might enjoy more of their work.
4. How do I take care of Tempo Transmission Reverse Connector Manual books? Storage: Keep them away from direct sunlight and in a dry environment. Handling: Avoid folding pages, use bookmarks, and handle them with clean hands. Cleaning: Gently dust the covers and pages occasionally.
5. Can I borrow books without buying them? Public Libraries: Local libraries offer a wide range of books for borrowing. Book Swaps: Community book exchanges or online platforms where people exchange books.

6. How can I track my reading progress or manage my book collection? Book Tracking Apps: Goodreads, LibraryThing, and Book Catalogue are popular apps for tracking your reading progress and managing book collections. Spreadsheets: You can create your own spreadsheet to track books read, ratings, and other details.
7. What are Tempo Transmission Reverse Connector Manual audiobooks, and where can I find them? Audiobooks: Audio recordings of books, perfect for listening while commuting or multitasking. Platforms: Audible, LibriVox, and Google Play Books offer a wide selection of audiobooks.
8. How do I support authors or the book industry? Buy Books: Purchase books from authors or independent bookstores. Reviews: Leave reviews on platforms like Goodreads or Amazon. Promotion: Share your favorite books on social media or recommend them to friends.
9. Are there book clubs or reading communities I can join? Local Clubs: Check for local book clubs in libraries or community centers. Online Communities: Platforms like Goodreads have virtual book clubs and discussion groups.
10. Can I read Tempo Transmission Reverse Connector Manual books for free? Public Domain Books: Many classic books are available for free as they're in the public domain. Free E-books: Some websites offer free e-books legally, like Project Gutenberg or Open Library.

Find Tempo Transmission Reverse Connector Manual :

[nkjv study bibles](#)

[nurse practitioner pharmacology review](#)

[notary test examples](#)

[nursing nclex lab values](#)

[norman mailer and marilyn monroe](#)

[northstar engine starter](#)

[nonprofit change management](#)

[office technician exam answers](#)

[oh the places you'll go movie](#)

[nursing diagnosis acute respiratory failure](#)

[oci application new york](#)

[nurse practitioner clinic business plan](#)

[nursing diagnosis examples nanda](#)

nra basic pistol training
nyc food handler course

Tempo Transmission Reverse Connector Manual :