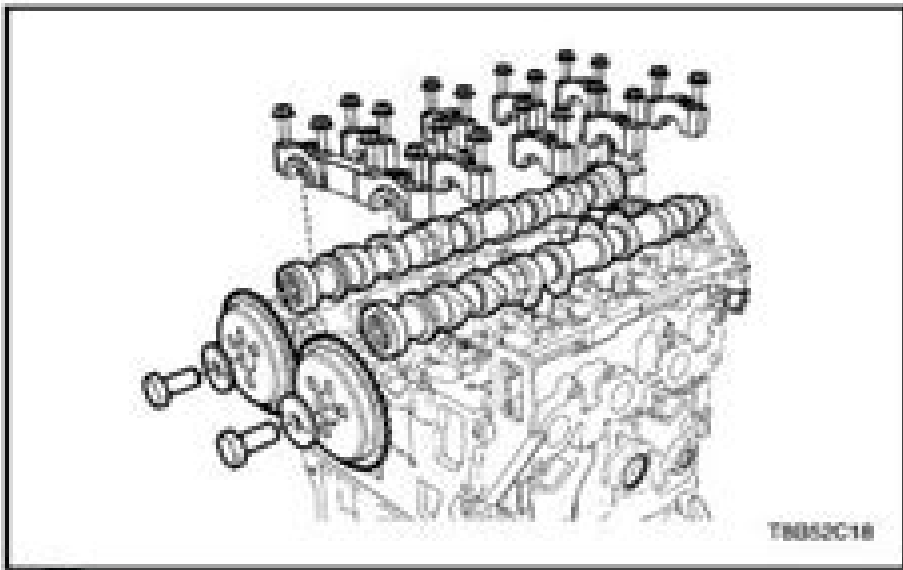
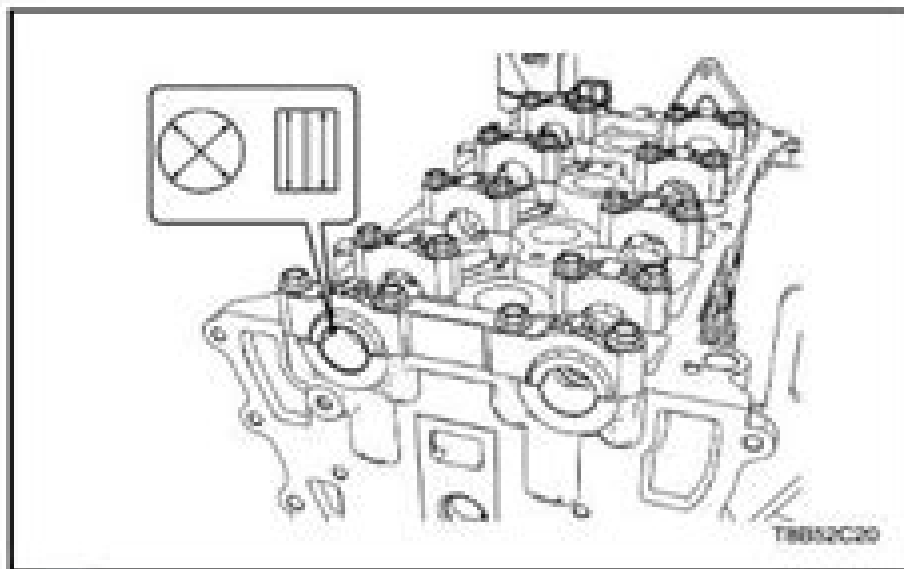


- BODY REPAIR MANUAL
- ELECTRICAL WIRING DIAGRAMS
- LABOUR TIME GUIDE
- PRE-DELIVERY INSPECTION
- SERVICE MANUAL
  - 0. General Information
  - 1. Engine
    - GENERAL ENGINE INFORMATION
    - ENGINE MECHANICAL : 1.2L DOHC
      - SPECIFICATIONS
      - SPECIAL TOOLS
      - DIAGNOSIS
      - COMPONENT LOCATOR
      - MAINTENANCE AND REPAIR
      - UNIT REPAIR
        - Accessory Parts
        - Cylinder Head
        - Camshaft
        - Valve Train Components
        - Piston / Ring / Connecting Rod
        - Engine Block
    - GENERAL DESCRIPTION AND SYSTEM OPS
    - ENGINE MECHANICAL : 1.4 DOHC : G14D
    - ENGINE COOLING
    - ENGINE ELECTRICAL
    - ENGINE CONTROLS : 1.2L DOHC
    - ENGINE CONTROLS : 1.4 DOHC : G14D
    - ENGINE EXHAUST
  - 2. Suspension
  - 3. Driveline Axle
  - 4. Brakes
  - 5. Transmissions/Transaxle
  - 6. Steering
    - POWER STEERING SYSTEM
    - POWER STEERING PUMP
    - POWER STEERING GEAR
    - MANUAL STEERING GEAR
    - STEERING WHEEL AND COLUMN
  - 7. (HVAC) Heating, Ventilation, and Air Conditioning
  - 8. Restraints
    - SEAT BELTS
    - SUPPLEMENTAL INFLATABLE RESTRAINTS
  - 9. Paint and Accessories



5. Install the camshaft. Refer to ["Unit Repair-Camshaft"](#) in this section.



# **Chevy Aveo 2006 Repairing Manual**

**Haynes Publishing**



Chevy Aveo 2006 Repairing Manual

**Chevrolet Aveo, '04-'11** Haynes Publishing,2017-03-01 With a Haynes manual you can do simple maintenance and basic repairs yourself because Haynes writes every book based on a complete tear down of the vehicle Whether you are a beginner or a pro you can save big with these helpful manuals Chevrolet Aveo 04 11 includes all you need to know to maintain repair and care for these excellent vehicles

**Chevrolet Aveo, 2004-2011** Haynes Publishing,2017-03-01 This Haynes Automotive manual provides everything readers need to know to perform basic maintenance and repairs on their Chevrolet Aveo Each of these titles is written based on a completed tear down of the vehicle so even beginners will be able to hit the ground running with their repairs maintenance and care for these great vehicles

**Chevrolet Aveo, '04-'11** Haynes Publishing,2017-03-01 With a Haynes manual you can do simple maintenance and basic repairs yourself because Haynes writes every book based on a complete tear down of the vehicle Whether you are a beginner or a pro you can save big with these helpful manuals Chevrolet Aveo 04 11 includes all you need to know to maintain repair and care for these excellent vehicles

**Chevrolet Aveo Service Manual 2005** General Motors Corporation. North American Operations,2005

*Motor's Auto Repair Manual* Motor (New York, N.Y.),1971

**Chevrolet Repair Manual** Chevrolet Motor Company,1934

*Chevrolet Mechanics' Repair Manual, 1937 & 38* General Motors Corporation. Chevrolet Motor Division,

*Chevrolet Repair Manual* Chevrolet Motor Company,1930

**Chevrolet & GMC Pick-ups Automotive Repair Manual** Ken Freund,John Harold Haynes,1990

*Chevrolet Repair Manual* General Motors Corporation. Chevrolet Motor Division,19??

*General Motors Chevrolet HHR* Editors of Haynes Manuals,2012-11-01 With a Haynes manual you can do it yourself from simple maintenance to basic repairs Haynes writes every book based on a complete teardown of the vehicle We learn the best ways to do a job and that makes it quicker easier and cheaper for you Our books have clear instructions and hundreds of photographs that show each step Whether you re a beginner or a pro you can save big with Haynes Step by step procedures Easy to follow photos Complete troubleshooting section Valuable short cuts Color spark plug diagnosis Complete coverage for your Chevrolet HHR for 2006 thru 2011 Routine Maintenance Tune up procedures Engine repair Cooling and heating Air Conditioning Fuel and exhaust Emissions control Ignition Brakes Suspension and steering Electrical systems Wiring diagrams

**Chevrolet Repair Manual** ,1929

**Chevrolet Repair Manual** Chevrolet Motor Company,1928

**1925-26 Chevrolet Repair Manual** ,1989

**Chilton's General Motors Chevy Mid-size Cars, 1964-88 Repair Manual** ,1994 All models of Chevelle Malibu Laguna S 3 Monte Carlo El Camino including SS models diesel engines

**Chevrolet Repair Manual** Chevrolet Motor Company,1933

*Chevrolet Repair Manual, 1929-1932* Chevrolet Motor Company,1932

**Chevrolet Nova & Geo Prizm Automotive Repair Manual** Jon LaCourse,John Harold Haynes,1990

*N.A.P.A. Mechanics' Repair Manual for Chevrolet, 1939-40 Models ...* National Automotive Parts Association (U.S.),1940

**Chevrolet Astro & GMC Safari Mini-vans Automotive Repair Manual** Ken Freund,John Harold Haynes,J. H. Haynes,1999 Chevrolet GMC Mini Vans 1985 1998 Repair ManualHaynesSftbd 8 1 4x 1 3 4 317 pgs 76 b w ill

## Decoding **Chevy Aveo 2006 Rapairing Manual**: Revealing the Captivating Potential of Verbal Expression

In a time characterized by interconnectedness and an insatiable thirst for knowledge, the captivating potential of verbal expression has emerged as a formidable force. Its ability to evoke sentiments, stimulate introspection, and incite profound transformations is genuinely awe-inspiring. Within the pages of "**Chevy Aveo 2006 Rapairing Manual**," a mesmerizing literary creation penned with a celebrated wordsmith, readers attempt an enlightening odyssey, unraveling the intricate significance of language and its enduring impact on our lives. In this appraisal, we shall explore the book's central themes, evaluate its distinctive writing style, and gauge its pervasive influence on the hearts and minds of its readership.

<https://offsite.creighton.edu/files/browse/HomePages/Nccer%20Instrumentation%20Certification.pdf>

[https://offsite.creighton.edu/files/browse/HomePages/Nbme\\_Reference\\_Values.pdf](https://offsite.creighton.edu/files/browse/HomePages/Nbme_Reference_Values.pdf)

<https://offsite.creighton.edu/files/browse/HomePages/nihss%20stroke%20scale%20test%20answers.pdf>

### **Table of Contents Chevy Aveo 2006 Rapairing Manual**

1. Understanding the eBook Chevy Aveo 2006 Rapairing Manual
  - The Rise of Digital Reading Chevy Aveo 2006 Rapairing Manual
  - Advantages of eBooks Over Traditional Books
2. Identifying Chevy Aveo 2006 Rapairing Manual
  - Exploring Different Genres
  - Considering Fiction vs. Non-Fiction
  - Determining Your Reading Goals
3. Choosing the Right eBook Platform
  - Popular eBook Platforms
  - Features to Look for in an Chevy Aveo 2006 Rapairing Manual
  - User-Friendly Interface
4. Exploring eBook Recommendations from Chevy Aveo 2006 Rapairing Manual
  - Personalized Recommendations
  - Chevy Aveo 2006 Rapairing Manual User Reviews and Ratings
  - Chevy Aveo 2006 Rapairing Manual and Bestseller Lists

5. Accessing Chevy Aveo 2006 Rapairing Manual Free and Paid eBooks
  - Chevy Aveo 2006 Rapairing Manual Public Domain eBooks
  - Chevy Aveo 2006 Rapairing Manual eBook Subscription Services
  - Chevy Aveo 2006 Rapairing Manual Budget-Friendly Options
6. Navigating Chevy Aveo 2006 Rapairing Manual eBook Formats
  - ePub, PDF, MOBI, and More
  - Chevy Aveo 2006 Rapairing Manual Compatibility with Devices
  - Chevy Aveo 2006 Rapairing Manual Enhanced eBook Features
7. Enhancing Your Reading Experience
  - Adjustable Fonts and Text Sizes of Chevy Aveo 2006 Rapairing Manual
  - Highlighting and Note-Taking Chevy Aveo 2006 Rapairing Manual
  - Interactive Elements Chevy Aveo 2006 Rapairing Manual
8. Staying Engaged with Chevy Aveo 2006 Rapairing Manual
  - Joining Online Reading Communities
  - Participating in Virtual Book Clubs
  - Following Authors and Publishers Chevy Aveo 2006 Rapairing Manual
9. Balancing eBooks and Physical Books Chevy Aveo 2006 Rapairing Manual
  - Benefits of a Digital Library
  - Creating a Diverse Reading Collection Chevy Aveo 2006 Rapairing Manual
10. Overcoming Reading Challenges
  - Dealing with Digital Eye Strain
  - Minimizing Distractions
  - Managing Screen Time
11. Cultivating a Reading Routine Chevy Aveo 2006 Rapairing Manual
  - Setting Reading Goals Chevy Aveo 2006 Rapairing Manual
  - Carving Out Dedicated Reading Time
12. Sourcing Reliable Information of Chevy Aveo 2006 Rapairing Manual
  - Fact-Checking eBook Content of Chevy Aveo 2006 Rapairing Manual
  - Distinguishing Credible Sources
13. Promoting Lifelong Learning

- Utilizing eBooks for Skill Development
  - Exploring Educational eBooks
14. Embracing eBook Trends
- Integration of Multimedia Elements
  - Interactive and Gamified eBooks

### **Chevy Aveo 2006 Rapairing Manual Introduction**

In the digital age, access to information has become easier than ever before. The ability to download Chevy Aveo 2006 Rapairing Manual has revolutionized the way we consume written content. Whether you are a student looking for course material, an avid reader searching for your next favorite book, or a professional seeking research papers, the option to download Chevy Aveo 2006 Rapairing Manual has opened up a world of possibilities. Downloading Chevy Aveo 2006 Rapairing Manual provides numerous advantages over physical copies of books and documents. Firstly, it is incredibly convenient. Gone are the days of carrying around heavy textbooks or bulky folders filled with papers. With the click of a button, you can gain immediate access to valuable resources on any device. This convenience allows for efficient studying, researching, and reading on the go. Moreover, the cost-effective nature of downloading Chevy Aveo 2006 Rapairing Manual has democratized knowledge. Traditional books and academic journals can be expensive, making it difficult for individuals with limited financial resources to access information. By offering free PDF downloads, publishers and authors are enabling a wider audience to benefit from their work. This inclusivity promotes equal opportunities for learning and personal growth. There are numerous websites and platforms where individuals can download Chevy Aveo 2006 Rapairing Manual. These websites range from academic databases offering research papers and journals to online libraries with an expansive collection of books from various genres. Many authors and publishers also upload their work to specific websites, granting readers access to their content without any charge. These platforms not only provide access to existing literature but also serve as an excellent platform for undiscovered authors to share their work with the world. However, it is essential to be cautious while downloading Chevy Aveo 2006 Rapairing Manual. Some websites may offer pirated or illegally obtained copies of copyrighted material. Engaging in such activities not only violates copyright laws but also undermines the efforts of authors, publishers, and researchers. To ensure ethical downloading, it is advisable to utilize reputable websites that prioritize the legal distribution of content. When downloading Chevy Aveo 2006 Rapairing Manual, users should also consider the potential security risks associated with online platforms. Malicious actors may exploit vulnerabilities in unprotected websites to distribute malware or steal personal information. To protect themselves, individuals should ensure their devices have reliable antivirus software installed and validate the legitimacy of the websites they are downloading from. In

conclusion, the ability to download Chevy Aveo 2006 Rapairing Manual has transformed the way we access information. With the convenience, cost-effectiveness, and accessibility it offers, free PDF downloads have become a popular choice for students, researchers, and book lovers worldwide. However, it is crucial to engage in ethical downloading practices and prioritize personal security when utilizing online platforms. By doing so, individuals can make the most of the vast array of free PDF resources available and embark on a journey of continuous learning and intellectual growth.

### **FAQs About Chevy Aveo 2006 Rapairing Manual Books**

How do I know which eBook platform is the best for me? Finding the best eBook platform depends on your reading preferences and device compatibility. Research different platforms, read user reviews, and explore their features before making a choice. Are free eBooks of good quality? Yes, many reputable platforms offer high-quality free eBooks, including classics and public domain works. However, make sure to verify the source to ensure the eBook credibility. Can I read eBooks without an eReader? Absolutely! Most eBook platforms offer web-based readers or mobile apps that allow you to read eBooks on your computer, tablet, or smartphone. How do I avoid digital eye strain while reading eBooks? To prevent digital eye strain, take regular breaks, adjust the font size and background color, and ensure proper lighting while reading eBooks. What the advantage of interactive eBooks? Interactive eBooks incorporate multimedia elements, quizzes, and activities, enhancing the reader engagement and providing a more immersive learning experience. Chevy Aveo 2006 Rapairing Manual is one of the best book in our library for free trial. We provide copy of Chevy Aveo 2006 Rapairing Manual in digital format, so the resources that you find are reliable. There are also many Ebooks of related with Chevy Aveo 2006 Rapairing Manual. Where to download Chevy Aveo 2006 Rapairing Manual online for free? Are you looking for Chevy Aveo 2006 Rapairing Manual PDF? This is definitely going to save you time and cash in something you should think about.

### **Find Chevy Aveo 2006 Rapairing Manual :**

*nccer instrumentation certification*

[nbme reference values](#)

**nihss stroke scale test answers**

[nashville warbler call](#)

*nclex respiratory questions*

**new book by alex michaelides**



~~nerc certification cost~~

~~nikola tesla planetary power plant~~

~~nclex facts to know~~

**new york city sightseeing map pdf**

*ndt practice test*

*natalie babbitt facts*

new american bible vatican

~~nick van der kolk~~

~~national student financial aid scheme~~

## **Chevy Aveo 2006 Rapairing Manual :**

**mazda 323 repair manuals pdf free download** - Aug 27 2022

web dec 19 2018 the repair manuals for mazda 323 contains detailed information on the repair and adjustment of elements of the gasoline engine management system variable valve timing systems zl ve engine instructions for using self diagnosis of the engine management system automatic transmission abs dsc stability system tcs anti

*mazda 323 free workshop and repair manuals* - Jul 06 2023

web mazda 323 workshop repair and owners manuals for all years and models free pdf download for thousands of cars and trucks

**mazda 323 workshop manual free pdf download all car manuals** - Nov 29 2022

web mazda 323 bf series factory service and workshop manual file size 47 6 mb file type pdf file manual type factory service manual complete factory service manual for the mazda 323 bf series built between 1985 and 1989 topics include general information scheduled maintenance engine lubrication cooling fuel emissions for the

*mazda 323 workshop manual 1998 onlymanuals* - Feb 18 2022

web check out our popular mazda 323 manuals below mazda 323 wiring diagram 1986 mazda 323 wiring diagram 1991 see all get your hands on the complete mazda factory workshop software download now 9 99 summary of content get notified when we add a new mazda 323 manual notify me

**mazda 323 workshop repair manual 1998 2003 pdf download** - Oct 29 2022

web mazda 323 workshop manual is the official mazda service repair workshop manual contains all operations to repair service and maintain mazda 323 including all the maintenance procedures scheduled service information tightening torques wiring diagrams and operating fluids

*mazda 323 workshop manual supplement pdf download manualslib* - Sep 08 2023

web view and download mazda 323 workshop manual supplement online mazda 323 4 wheel drive workshop manual supplement 323 automobile pdf manual download

*mazda 323 manual pdf download manualslib* - Jun 05 2023

web view and download mazda 323 manual online 1988 89 323 automobile pdf manual download also for 1988 323 1989 323 [mazda 323 owner s and service manuals online download pdf](#) - May 24 2022

web mazda 323 owner s and service manuals online download pdf mazda 323 owner s manuals and service manuals for online browsing and download search through 2726 mazda manuals online for free carmanualsonline info is the largest free online database of mazda user manuals

**mazda 323 service repair manuals free pdf** - Sep 27 2022

web complete factory workshop manual for the mazda 323 protege bg series made between 1989 and 1994 covers the entire vehicle from maintenance and repairs free online pdf for mazda 323 workshop manuals mazda 323 oem repair manuals mazda 323 shop manuals mazda 323 electrical wiring diagrams ewd

*mazda 323 repair service manuals 3 pdf s* - Aug 07 2023

web here s a non exhaustive list of what s covered mazda 323 service manual for roadside repairs mazda 323 owners manual covering weekly checks mazda 323 workshop manual covering lubricants fluids and tyre pressures mazda 323 service pdf s covering routine maintenance and servicing

**mazda 323 protege owner s manual pdf download manualslib** - May 04 2023

web mazda 323 protege owner s manual 1995 98 also see for 323 protege owner s manual 18 pages manual 14 pages workshop manual supplement 677 pages 1 2 3 4 5 6 7 8 9 10 11 12 13 14 15 16 17 18 19 20 21 22 table of contents 23 page of 23

*mazda 323f owner s manual pdf download manualslib* - Oct 09 2023

web view and download mazda 323f owner s manual online 323f automobile pdf manual download

[mazda 323f manuals manualslib](#) - Mar 02 2023

web manuals and user guides for mazda 323f we have 1 mazda 323f manual available for free pdf download owner s manual mazda 323f owner s manual 197 pages brand mazda category automobile size 12 44 mb table of contents how to use this manual 3 graphic symbols 4 table of contents 5 your vehicle at a glance 6 interior overview 7

**mazda 323 protege owner s manual pdf download manualslib** - Feb 01 2023

web view and download mazda 323 protege owner s manual online 1990 94 323 protege automobile pdf manual download also for 1990 323 1991 323 1992 323 1993 323 1994 323 1990 protege 1991 protege 1992 protege 1993 protege 1994

protege

*mazda 323 2002 workshop manual pdf for free* - Jun 24 2022

web the mazda familia mazda 323 mazda protege repair manual as well as the service and operation manual detailed wiring diagrams and electrical test descriptions of models of various variants of mazda familia mazda 323 protege front wheel drive and four wheel drive vehicles equipped with gasoline engines ot 1 3 l zl 1 5 l zm 1 6 l fp 1 8

**mazda 323 1988 workshop manual pdf download manualslib** - Dec 31 2022

web view and download mazda 323 1988 workshop manual online mazda 323 1988 323 1988 automobile pdf manual download

*mazda 323 manual pdf four wheel drive fuse electrical* - Mar 22 2022

web download now of 279 mazda 323 o workshop b manual supplement foreword this is a supplement to the workshop manua s shown below this supplement describes service procedures of new or modified mechanicat and or ekctrical systems

**mazda 323 owners manual pdf free workshop manuals** - Jul 26 2022

web with this mazda 323 workshop manual you can perform every job that could be done by mazda garages and mechanics from changing spark plugs brake fluids oil changes engine rebuilds electrical faults and much more the mazda 323 owners manual pdf includes detailed illustrations drawings diagrams step by step guides explanations of

**mazda familia 323 workshop manual free pdf download all car manuals** - Apr 03 2023

web title mazda familia 323 bj factory workshop manual file size 50 1 mb file type pdf file manual type factory service manual factory workshop manual factory service manual for the mazda familia also known as the mazda 323 built between 1998 and 2003 with chassis code bj

*mazda 323 service repair manual mazda 323 pdf downloads motor era* - Apr 22 2022

web motor era offers service repair manuals for your mazda 323 download your manual now mazda 323 service repair manuals complete list of mazda 323 auto service repair manuals mazda 323 1981 1989 service manual repair manual mazda 323 service repair manual 1981 1989 download mazda 323 service repair manual

word of honor official trailer chinese drama youtube - Mar 10 2023

web mar 18 2021 watch full episodes of word of honor viki com tv 37730c word of honorabout word of honor □□□ as leader of an elite unit tasked with protect

**watch word of honor netflix** - Jul 14 2023

web word of honor 2021 maturity rating tv 14 1 season drama a disillusioned leader of assassins sets out for the martial arts world where he encounters a bosom friend and becomes entangled in a conspiracy starring zhang zhehan gong jun zhou ye

**word of honor mainland china drama watch with english** - Apr 11 2023

web adapted from the novel faraway wanders by priest word of honor is a 2021 adventure fantasy drama directed by gary sing and jones ma as leader of an elite unit tasked with protecting the imperial family zhou zi shu zhang zhe han was not a man to be taken lightly

**word of honor tv series 2022 imdb** - Jan 08 2023

web word of honor created by munan zhou with lanling li the four teenagers left the academy to find the truth and solve the mystery of their births they experience all kinds of difficulties and dangers and finally grow into men of honor

**word of honor streaming tv show online justwatch** - Feb 09 2023

web word of honor streaming tv show online tv track show seen all sign in to sync watchlist streaming charts 5900 2 rating 90 8 4 3k genres science fiction drama action adventure fantasy history romance runtime 43min age rating tv 14 production country webapp country cn word of honor 2021 original title 词 剑 1 seasons

*word of honor 2021 mydramalist* - Oct 17 2023

web feb 22 2021 reviews 237 users in order to leave the assassin organization the window of heaven the leader zhou zi shu performs an obligatory departure technique leaving him with three years left to live he disguises his face and tries to live the remainder of his days as a drunkard wandering the martial arts world

**6 things you should know about hit bl drama word of honour** - May 12 2023

web jun 1 2021 yet another wuxia martial heroes bl drama here are six points unique to word of honour 1 wen kexing incessantly flirts with an indifferent zhou zishu forming the crux of the bl element in word of honour is none other than the relationship between zhou zishu and wen kexing zhou takes on a passive role while wen is the

*word of honor tv series 2021 imdb* - Jun 13 2023

web word of honor created by priest with zhang zhehan jun gong ma cheng kai wang zhou zi shu gets embroiled in a conspiracy in the martial arts world he meets wen ke xing who escapes from the ghost valley to avenge his parents deaths

**word of honor faraway wanderers wiki fandom** - Aug 15 2023

web word of honor 词 剑 shān hé líng previously titled a tale of the wanderers is a 2021 chinese streaming television series loosely adapted from the novel faraway wanderers by priest it stars zhang zhehan and gong jun in the leading roles

*word of honor tv series wikipedia* - Sep 16 2023

web word of honor chinese 词 剑 pinyin shānhé líng previously titled a tale of the wanderers 词 剑 is a 2021 chinese costume streaming television series co produced by ciwen media and youku directed by cheng zhi chao ma hua gan and li hong yu written by xiao chu adapted from the danmei novel faraway wanderers

**about this book spring boot in action manning publications** - Feb 09 2023

web instead spring boot in action aims to distill spring boot into four main topics auto configuration starter dependencies the

command line interface and the actuator along the way we ll touch on a few spring features as necessary but the focus will be

[spring boot in action craig walls google books](#) - May 12 2023

web dec 16 2015 craig walls simon and schuster dec 16 2015 computers 264 pages summary a developer focused guide to writing applications using spring boot you ll learn how to bypass the tedious

[github let s build from here github](#) - Jul 14 2023

web payload allshortcutsenabled false filetree spring boot items name official documentation path spring boot official documentation contenttype

**spring boot in action guide books acm digital library** - Mar 10 2023

web about the book spring boot in action is a developer focused guide to writing applications using spring boot in it you ll learn how to bypass configuration steps so you can focus on your application s behavior

**chapter 2 developing your first spring boot application** - Jul 02 2022

web if you re developing your application with spring tool suite you also have the option of running the application within your ide by selecting the project and choosing run as spring boot app from the run menu as shown in figure 2 3 figure 2 3 running a spring boot application from spring tool suite

**spring boot in action manning publications** - Aug 15 2023

web spring boot in action is a developer focused guide to writing applications using spring boot in it you ll learn how to bypass configuration steps so you can focus on your application s behavior

[spring in action sixth edition manning publications](#) - Nov 06 2022

web spring in action sixth edition is a comprehensive guide to spring s core features all explained in craig walls famously clear style you ll put spring into action as you build a complete database backed web app step by step

**spring boot in action amazon web services** - Sep 04 2022

web spring boot in action by craig walls chapter 4 copyright 2016 manning publications brief content bootstarting spring 1 developing your first spring boot application 23 customizing configuration 49 testing with spring boot 76 getting groovy with the spring boot cli 92 applying grails in spring boot 107

[spring boot in action walls craig amazon com tr kitap](#) - Jun 13 2023

web about the author craig walls is a software developer author of the popular book spring in action fourth edition and a frequent speaker at conferences table of contents bootstarting spring developing your first spring boot application customizing configuration testing with spring boot getting groovy with the spring boot cli

**spring boot in action how to download and setup** - Dec 27 2021

web git clone is used to create a copy or clone of spring boot in action repositories you pass git clone a repository url it supports a few different network protocols and corresponding url formats

**spring in action github topics github** - Mar 30 2022

web spring spring boot spring in action updated on feb 4 java ninja 21 dev spring in action 4 sample code star 1 code issues pull requests sample code of book spring in action 4 java spring spring framework spring in action updated on oct 28 2022 java

*getting started building an application with spring boot* - Jan 28 2022

web as you read more spring getting started guides you will see more use cases for spring boot this guide is meant to give you a quick taste of spring boot if you want to create your own spring boot based project visit spring initializr fill in your project details pick your options and download a bundled up project as a zip file

**github let s build from here github** - Apr 30 2022

web payload allshortcutsenabled false filetree items name 14042114559900 pdf path 14042114559900 pdf contenttype file name 1685 pdf

spring boot in action by craig walls goodreads - Jan 08 2023

web dec 1 2015 3 61 187 ratings31 reviews spring boot in action is a developer focused guide to writing applications using spring boot in it you ll learn how to bypass configuration steps so you can focus on your application s behavior

**spring boot in action book o reilly media** - Apr 11 2023

web chapter 1 bootstarting spring chapter 2 developing your first spring boot application chapter 3 customizing configuration chapter 4 testing with spring boot chapter 5 getting groovy with the spring boot cli chapter 6 applying grails in spring boot chapter 7 taking a peek inside with the actuator chapter 8 deploying spring boot

*github let s build from here github* - Aug 03 2022

web payload allshortcutsenabled false filetree items name advancedjava path advancedjava contenttype directory name building and testing

spring in action fifth edition manning publications - Dec 07 2022

web spring in action 5th edition is the fully updated revision of manning s bestselling spring in action this new edition includes all spring 5 0 updates along with new examples on reactive programming spring webflux and microservices you ll also find the latest spring best practices including spring boot for application setup and configuration

**spring boot in action 1st walls craig ebook amazon com** - Oct 05 2022

web dec 16 2015 a developer focused guide to writing applications using spring boot you ll learn how to bypass the tedious configuration steps so that you can concentrate on your application s behavior purchase of the print book includes a free

ebook in pdf kindle and epub formats from manning publications about the technology

*spring batch in action manning publications* - Feb 26 2022

web spring batch in action is an in depth guide to writing batch applications using spring batch written for developers who have basic knowledge of java and the spring lightweight container the book provides both a best practices approach to writing batch jobs and comprehensive coverage of the spring batch framework

**spring boot in action** [] [][] - Jun 01 2022

web spring boot in action is a developer focused guide to writing applications using spring boot in it you ll learn how to bypass configuration steps so you can focus on your application s behavior spring expert craig walls uses interesting and practical examples to teach you both how to use the default settings effectively and how to override