

- MA3** 3×10mmタッピングビス
Tapping screw
Schneidgeschraube
Via taraudeuse
- MC2** 2.5×10mmタッピングビス
Tapping screw
Schneidgeschraube
Via taraudeuse

Checking R/C equipment

- 1 Install batteries.
- 2 Extend antenna.
- 3 Connect servo in neutral.
- 4 Connect charged battery.
- 5 Switch on.
- 6 Switch on.
- 7 Steering reverse switch on "N".
- 8 Trims in neutral.
- 9 Steering wheel in neutral.
- 10 Servo in neutral position.
- 11 After attaching servo saver, switch off R/C units and disconnect connectors.

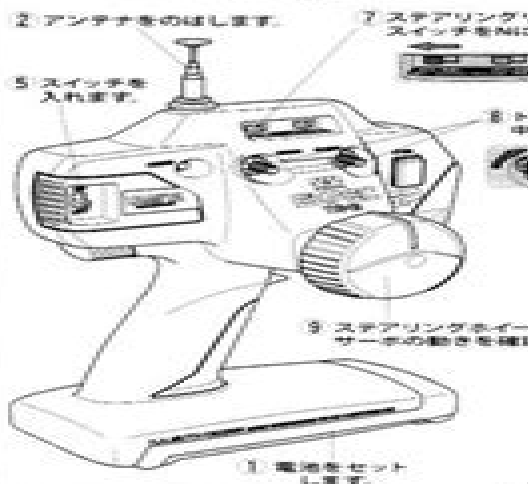
Überprüfen der RC-Anlage

- 1 Batterien einlegen.
- 2 Antenne ausziehen.
- 3 Aufwickeln und langziehen.
- 4 Voll aufgeladenen Akku verbinden.
- 5 Schalter ein.
- 6 Schalter ein.
- 7 Reverse-Schalter für Lenkung auf "N".
- 8 Trimmhebel neutral stellen.
- 9 Lenkrad neutral stellen.
- 10 Dies ist die Neutralstellung des Servos.
- 11 Nachdem der Servo-Saver angebracht ist, die RC-Einheit ausschalten und die Stecker abtrennen.

Vérification de l'équipement R/C

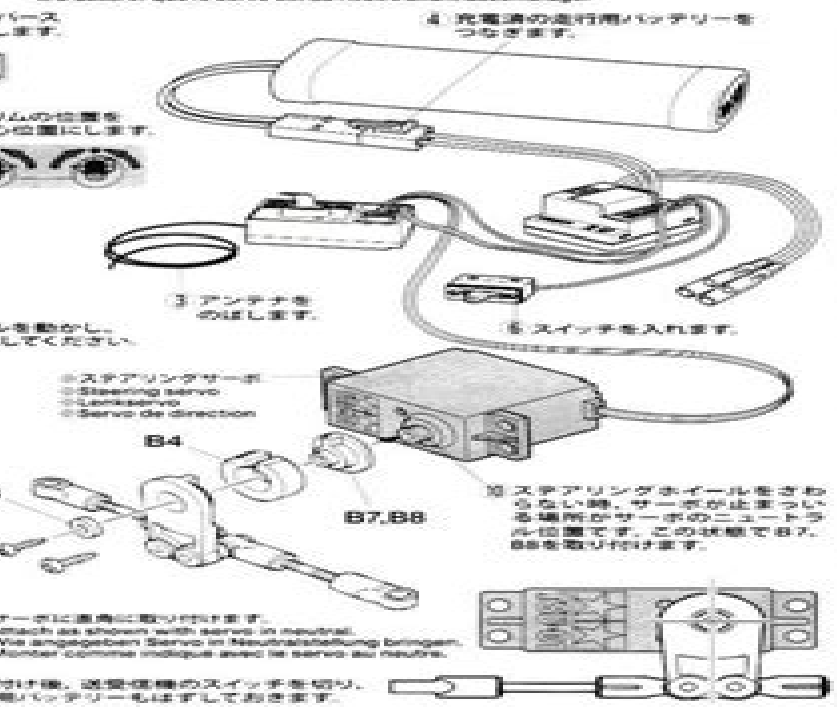
- 1 Mettre en place les piles.
- 2 Déployer l'antenne.
- 3 Dérouler et déployer le fil.
- 4 Changer complètement la batterie.
- 5 Mettre en marche.
- 6 Mettre en marche.
- 7 L'inverseur de servo de direction sur "N".
- 8 Placer les trims au neutre.
- 9 Le volant de direction au neutre.
- 10 Le servo au neutre.
- 11 Après installation du sauto-servo, éteindre l'ensemble R/C et débrancher les connecteurs.

19 (ラジオコントロールメカのチェック)
Checking R/C equipment
Überprüfen der RC-Anlage
Vérification de l'équipement R/C

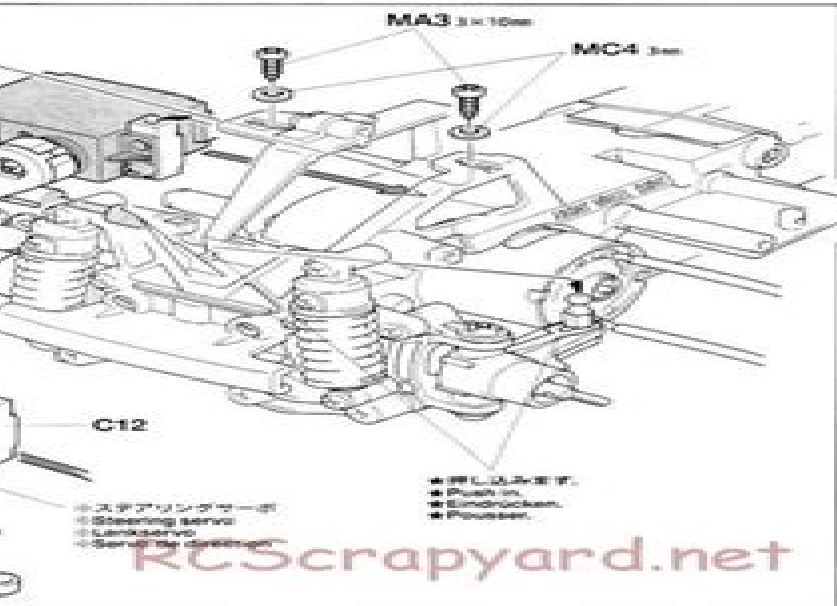
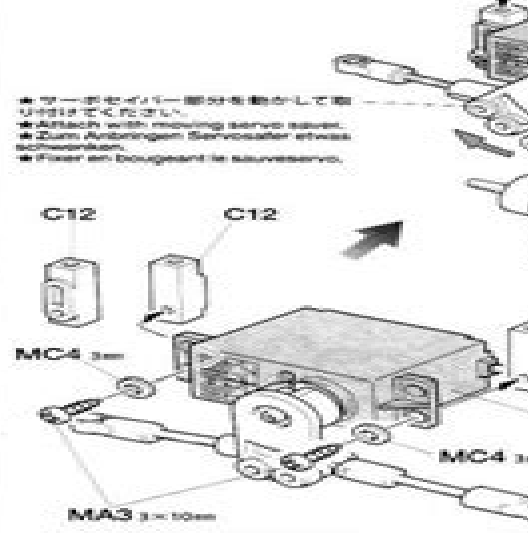


- フタバ FUTABA B7
タミヤ TAMIYA
- MC2** 2.5×10mm
- サンワ SANWA
アコムス ACCOMS
J.R JR B8
K.O KO
- MA3** 3×10mm

- 3.7V Li-Polymerは事前に充電しておき、RCメカを組み立てる前にチェックします。また必ずサーボのニュートラルを確認して組み立ててください。
- Make sure the servo is in neutral prior to assembly.
- Servo vor dem Einbau in neutrale Stellung bringen.
- S'assurer que le servo est au neutre avant l'assemblage.

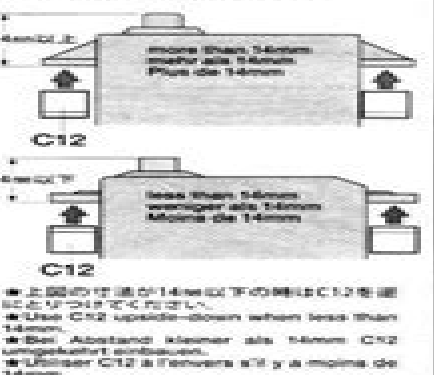


20 (ステアリングサーボの取り付け)
Attaching steering servo
Lenkservo-Einbau
Fixation du servo de direction



- MA3** 3×10mmタッピングビス
Tapping screw
Schneidgeschraube
Via taraudeuse
- MC4** 3mmワッシャー
Washer
Pillage-traverse
Flange

C12の取り付け / Attaching (C12)
Einbau (C12) / Fixation (C12)



- サーボセイバー部分を動かして取り付けてください。
- Attach with moving servo saver.
- Zum Anbringen Servosaver etwas schieben.
- Fixer en bougeant le sauto-servo.

- ステアリングサーボ
- Steering servo
- Lenkservo
- Servo de direction

- 押し込みます。
- Push in.
- Einrücken.
- Pousser.

Tamiya Mini Cooper Manual

RD Boyd



Tamiya Mini Cooper Manual

Handbook of Surface Plasmon Resonance Richard B. M. Schasfoort,2017-05-30 Surface plasmon resonance SPR plays a dominant role in real time interaction sensing of biomolecular binding events this book provides a total system description including optics fluidics and sensor surfaces for a wide researcher audience **Cars & Parts** ,1986 *Road and Track* ,1982 *Motor Cycling and Motoring* ,1977 **Bugatti Type 35 Owners' Workshop Manual** Chas Parker,2018-10-09 The Type 35 Bugatti brought new standards of workmanship and finish to racing and was the first Grand Prix car to be catalogued and offered for sale This Bugatti Type 35 Owners Workshop Manual contains the Bugatti Story and is an addition to our growing range of classic racing car manuals Being a sister title to our Bentley 4 1 2 Litre Owner s Workshop Manual and having input from respected restorers and owners the book contains sections covering variants competition history anatomy view from drivers owners and engineers restoration and historic racing results **Autocar** ,2005 **The History of Terrorism** Gérard Chaliand,Arnaud Blin,2016-08-23 First published in English in 2007 under title The history of terrorism from antiquity to al Qaeda *Mohs Micrographic Surgery* Keyvan Nouri,2012-03-07 This book is written for dermatologists otolaryngologists facial plastic surgeons and any physician who want to provide state of the art treatment for skin cancer patients Considering the high incidence of non melanoma skin cancers such as Basal Cell Carcinoma and Squamous Cell Carcinoma accounting for over one million cases per year in the United States and since Mohs Micrographic Surgery has become the treatment of choice for these skin cancers the popularity of this technique has been increasing dramatically worldwide *Biotechnological Approaches in Food Adulterants* Madan L Verma,2020-11-18 The book highlights the biotechnological advancement in the area of food adulterants and outlines the current state of art technologies in the detection of food adulterants using omics and nanobiotechnology The book provides insights to the most recent innovations trends concerns and challenges in food adulterants It identifies key research topics and practical applications of modern cutting edge technologies employed for detection of food adulterants including expansion of food adulterants market potential toxicity of food adulterants and the prevention of food adulteration act cutting edge technology for food adulterants detection and biosensing and nanobiosensing based detection of food adulterants There is need for new resources in omics technologies for the application of new nanobiotechnology *Biotechnological Approaches in Food Adulterants* provides an overview of the contributions of food safety and the most up to date advances in omics and nanobiotechnology approaches to a diverse audience from postgraduate students to researchers in biochemical engineering biotechnology food technologist environmental technologists and pharmaceutical professionals *Reading Statistics and Research* Schuyler W. Huck,2000 This text explains to consumers of research how to read understand and critically evaluate the statistical information contained in technical research reports Excerpts from over 500 recent research articles are presented and discussed to

illustrate concepts *Bone Pathology* Jasvir S. Khurana, 2009-12-02 *Bone Pathology* is the second edition of the book *A Compendium of Skeletal Pathology* that published 10 years ago. Similar to the prior edition, this book complements standard pathology texts and blends new but relatively established information on the molecular biology of the bone. Serving as a bench side companion to the surgical pathologist, this new edition reflects new advances in our understanding of the molecular biology of bone. New chapters on soft tissue sarcomas and soft tissue tumors have been added, as well as several additional chapters such as Soft tissue pathology and Biomechanics. The volume is written by experts who are established in the field of musculoskeletal diseases. *Bone Pathology* is a combined effort from authors of different specialties including surgeons, pathologists, radiologists, and basic scientists, all of whom have in common an interest in bone diseases. It will be of great value to surgical pathology residents, as well as practicing pathologists, skeletal radiologists, orthopedic surgeons, and medical students.

Mann's Pharmacovigilance Elizabeth B. Andrews, Nicholas Moore, 2014-03-24 Highly Commended at the BMA Medical Book Awards 2015. *Mann's Pharmacovigilance* is the definitive reference for the science of detection, assessment, understanding, and prevention of the adverse effects of medicines, including vaccines and biologics. Pharmacovigilance is increasingly important in improving drug safety for patients and reducing risk within the practice of pharmaceutical medicine. This new third edition covers the regulatory basis and the practice of pharmacovigilance and spontaneous adverse event reporting throughout the world. It examines signal detection and analysis, including the use of population-based databases and pharmacoepidemiological methodologies to proactively monitor for and assess safety signals. It includes chapters on drug safety practice in specific organ classes, special populations, and special products, and new developments in the field. From an international team of expert editors and contributors, *Mann's Pharmacovigilance* is a reference for everyone working within pharmaceutical companies, contract research organisations, and medicine regulatory agencies, and for all researchers and students of pharmaceutical medicine. The book has been renamed in honor of Professor Ronald Mann, whose vision and leadership brought the first two editions into being, and who dedicated his long career to improving the safety and safe use of medicines.

Road & Track, 1981 **Animal Toxins** Hervé RoCHAT, Marie-France Martin-Eauclaire, 2000. Natural toxins form a major component of the molecular tools used increasingly frequently by the ever-growing number of laboratories of various kinds. Evidence for this is provided not only by the increasing number of firms including such toxins in their catalogues, but also by the large number of demands received by those who discover new toxins. Twenty chapters survey important aspects of toxin origin, their structure, and molecular mechanism, and their cellular and pathogenic effects. In addition, the text provides comprehensive and specific methodology for the application of these toxins in the research laboratory. This begins with the description of the method of extraction, biochemical and pharmacological characterization, and assessment of purity, and continues with methods for chemical modification, e.g. labelling, and eventually describes applications in pharmacological studies, in vivo and/or in vitro. The length of this book has been kept reasonable by

concentrating on **Motor Sport** William Boddy,1970 **Frontiers in Biosensorics I** F.W. Scheller,Florian Schubert,Jutta Fedrowitz,1996-12-01 Volume I provides an in depth discussion of the most recent developments of crucial biosensor components It concentrates on the interface between the analyte phase and the detector namely the implementation of novel recognition elements including nucleic acids and of leading edge technology in the construction of responsive thin layers Thus the reader can obtain a foretaste of achievable future progress in the field **PCR Protocols** John M. S. Bartlett,David Stirling,2008-02-03 In this new edition the editors have thoroughly updated and dramatically expanded the number of protocols to take advantage of the newest technologies used in all branches of research and clinical medicine today These proven methods include real time PCR SNP analysis nested PCR direct PCR and long range PCR Among the highlights are chapters on genome profiling by SAGE differential display and chip technologies the amplification of whole genome DNA by random degenerate oligonucleotide PCR and the refinement of PCR methods for the analysis of fragmented DNA from fixed tissues Each fully tested protocol is described in step by step detail by an established expert in the field and includes a background introduction outlining the principle behind the technique equipment and reagent lists tips on trouble shooting and avoiding known pitfalls and where needed a discussion of the interpretation and use of results The Sweetpotato Gad Loebenstein,George Thottappilly,2009-03-21 In the last four decades of the twentieth century the use of sweetpotato was diversified beyond their classification as subsistence food security and famine relief crop In developing countries they serve both as human food and for feeding livestock In Western countries they appeal to health conscious consumers because of their nutritional aspects The sweetpotato is very high in nutritive value and merits wider use on this account alone The book has 2 parts A general one giving up to date information on the history botany cultivars genetic engineering propagation diseases and pests nutritional data and marketing and a second part presenting data on sweetpotato growing practices in different areas of the world The information should be useful to researchers practitioners and crop administrators in different countries **Mazda RX-7 Performance Handbook** Mike Ancas, *Annual Update in Intensive Care and Emergency Medicine 2021* Jean-Louis Vincent,2021-09-03 The Annual Update compiles reviews of the most recent developments in experimental and clinical intensive care and emergency medicine research and practice in one comprehensive book The chapters are written by well recognized experts in these fields The book is addressed to everyone involved in internal medicine anesthesia surgery pediatrics intensive care and emergency medicine

McGraw Hill LINKS 101 102 - Spanish 102 -To Access the... From the drop-down menu, go to the chapter that you are working on, then scroll to the bottom and click on Laboratory Audio Program under More Resources. Note: ... Spanish 102 Chapter 5 -McGraw Hill Flashcards Study with Quizlet and memorize flashcards containing terms like El Barrio, La calle, La casa and more. Spanish | McGraw Hill Higher Education Course management, reporting, and student learning tools backed

by great support. Connect® Master Online Learning Without Compromise. McGraw ... McGraw Hill Spanish Connect chapter 17 Flashcards La vida social y afectiva Learn with flashcards, games, and more — for free. Sign In | Connect | McGraw Hill Sign In | Connect | McGraw Hill. Skip to main content McGraw Hill Higher Ed page. Help. McGraw Hill Higher Ed page. Sign In. Email Address. Password. Forgot ... Spanish 102 • Communicate, with few errors, in Spanish using level-appropriate language for ... completing the McGraw-Hill “Connect” exercises (known as “Prep”, “Hmwk ... Webmail Login You have logged out. The system has detected that you are using Internet Explorer 11. cPanel & WHM no longer supports Internet Explorer 11. Looking for the answers to the McGraw Connect Spanish ... Looking for the answers to the McGraw Connect Spanish Homework, does anyone know where I may find the answers? FOREIGN LANGUAGE · SPANISH · SPN 2113. Connect | McGraw Hill: Sign In Sign In | Connect | McGraw Hill. Skip to main content McGraw Hill Higher Ed page. Help. McGraw Hill Higher Ed page. Sign In. Email Address. Password. Forgot ... Installation Instructions & Owner's Operation Manual for ... Fire alarm systems use a variety of components to meet the requirements of each installation. The fire alarm panel, automatic and manual detection ... FSC Series Technical Reference Manual Edwards, A Division of UTC Fire & Security. Americas Corporation, Inc. 8985 ... This chapter provides instructions for installing the fire alarm system. It ... EDWARDS-5754B-USER-MANUAL.pdf 5754B Fire Alarm Control Panel is a 24VDC, supervised, four-zone panel. The panel is UL List- ed and meets all performance and operational requirements of UL ... Control Panels | Edwards Fire Safety EDWARDS CONTROL PANELS ... Featuring a new network architecture, EST4 makes fire alarm, mass notification, and building integration easy to implement, quick to ... Edwards 1526 Users Manual Operation of any initiating device (manual fire alarm station, automatic heat detector, auto- matic smoke detector, etc.) sounds all the fire alarm signals to ... EST Fire Alarm Control Panel Operating Instructions May 2, 2013 — Make sure all smoke detectors are free from smoke and all manual pull stations are reset. 2. Press Reset. Note: Panel programming may delay ... EST3 Installation and Service Manual Sep 10, 2007 — EST3 System Operation Manual (P/N 270382): Provides detailed ... security and fire alarm systems. The KPDISP has an LCD display and a ... IRC-3 This manual contains proprietary information intended for distribution to authorized persons or companies for the sole purpose of conducting business with ... Submittal Guides | Edwards Fire Safety Our extensive range of fire alarm products gives you the freedom to tailor each system to the particular needs of the building - and the budget of the building ... Edwards 2400 series panel manual Download Edwards 2400 series panel manual PDF. Fire Alarm Resources has free fire alarm PDF manuals, documents, installation instructions, and technical ... The Photography Reader by Wells, Liz The Photography Reader is a comprehensive introduction to theories of photography; its production; and its uses and effects. The Photography Reader: History and Theory - 2nd Edition Liz Wells, curator and writer, is Professor in Photographic Culture, Faculty of Arts and Humanities, University of Plymouth, UK. She edited Photography: A ... The Photography Reader: History and Theory by Wells, Liz The Photography Reader: History and Theory by Wells, Liz. ...

The Photography Reader: History and Theory. Liz Wells. 4.4 out of 5 stars 22. Paperback. \$44.62\$44. The photography reader / edited by Liz Wells. "A comprehensive collection of twentieth-century writings on photography--its production, its uses and effects ... traces the development of ideas about ... The Photography Reader Bibliographic information ; Editor, Liz Wells ; Edition, illustrated, reprint ; Publisher, Routledge, 2003 ; ISBN, 0415246601, 9780415246606 ; Length, 466 pages. The Photography Reader by Liz Wells The Photography Reader is a comprehensive introduction to theories of photography; its prod ... Liz Wells (Editor). 4.06. 247 ratings15 reviews. Want to read. The Photography Reader The Photography Reader. by (Editor) Liz Wells. PaperBack. Available at our 828 Broadway location. Condition: Used - Good. \${object Object}. The Photography Reader: History and Theory This is a comprehensive introduction to theories of photography. Each thematic section features an editor's introduction setting ideas and debates in their ... The Photography Reader Liz Wells May 3, 2022 — Why Art Photography? - Lucy. Soutter 2018-01-17. The second edition of Why Art. Photography? is an updated, expanded introduction to the. The Photography Reader Liz Wells teaches Media Arts in the School of Arts and Humanities, University of Plymouth. She is the editor of Viewfindings: Women Photographers, Landscape.

Delve into the emotional tapestry woven by Crafted by in Dive into the Emotion of **Tamiya Mini Cooper Manual** . This ebook, available for download in a PDF format (*), is more than just words on a page; itis a journey of connection and profound emotion. Immerse yourself in narratives that tug at your heartstrings. Download now to experience the pulse of each page and let your emotions run wild.

https://offsite.creighton.edu/files/virtual-library/Documents/how_do_the_circulatory_and_urinary_systems_work_together.pdf

https://offsite.creighton.edu/files/virtual-library/Documents/how_to_build_shed_roof.pdf

https://offsite.creighton.edu/files/virtual-library/Documents/how_does_your_garden_grow_song_lyrics.pdf

Table of Contents Tamiya Mini Cooper Manual

1. Understanding the eBook Tamiya Mini Cooper Manual
 - The Rise of Digital Reading Tamiya Mini Cooper Manual
 - Advantages of eBooks Over Traditional Books
2. Identifying Tamiya Mini Cooper Manual
 - Exploring Different Genres
 - Considering Fiction vs. Non-Fiction
 - Determining Your Reading Goals
3. Choosing the Right eBook Platform
 - Popular eBook Platforms
 - Features to Look for in an Tamiya Mini Cooper Manual
 - User-Friendly Interface
4. Exploring eBook Recommendations from Tamiya Mini Cooper Manual
 - Personalized Recommendations

- Tamiya Mini Cooper Manual User Reviews and Ratings
- Tamiya Mini Cooper Manual and Bestseller Lists
- 5. Accessing Tamiya Mini Cooper Manual Free and Paid eBooks
 - Tamiya Mini Cooper Manual Public Domain eBooks
 - Tamiya Mini Cooper Manual eBook Subscription Services
 - Tamiya Mini Cooper Manual Budget-Friendly Options
- 6. Navigating Tamiya Mini Cooper Manual eBook Formats
 - ePub, PDF, MOBI, and More
 - Tamiya Mini Cooper Manual Compatibility with Devices
 - Tamiya Mini Cooper Manual Enhanced eBook Features
- 7. Enhancing Your Reading Experience
 - Adjustable Fonts and Text Sizes of Tamiya Mini Cooper Manual
 - Highlighting and Note-Taking Tamiya Mini Cooper Manual
 - Interactive Elements Tamiya Mini Cooper Manual
- 8. Staying Engaged with Tamiya Mini Cooper Manual
 - Joining Online Reading Communities
 - Participating in Virtual Book Clubs
 - Following Authors and Publishers Tamiya Mini Cooper Manual
- 9. Balancing eBooks and Physical Books Tamiya Mini Cooper Manual
 - Benefits of a Digital Library
 - Creating a Diverse Reading Collection Tamiya Mini Cooper Manual
- 10. Overcoming Reading Challenges
 - Dealing with Digital Eye Strain
 - Minimizing Distractions
 - Managing Screen Time
- 11. Cultivating a Reading Routine Tamiya Mini Cooper Manual
 - Setting Reading Goals Tamiya Mini Cooper Manual
 - Carving Out Dedicated Reading Time
- 12. Sourcing Reliable Information of Tamiya Mini Cooper Manual
 - Fact-Checking eBook Content of Tamiya Mini Cooper Manual

- Distinguishing Credible Sources
- 13. Promoting Lifelong Learning
 - Utilizing eBooks for Skill Development
 - Exploring Educational eBooks
- 14. Embracing eBook Trends
 - Integration of Multimedia Elements
 - Interactive and Gamified eBooks

Tamiya Mini Cooper Manual Introduction

Free PDF Books and Manuals for Download: Unlocking Knowledge at Your Fingertips In today's fast-paced digital age, obtaining valuable knowledge has become easier than ever. Thanks to the internet, a vast array of books and manuals are now available for free download in PDF format. Whether you are a student, professional, or simply an avid reader, this treasure trove of downloadable resources offers a wealth of information, conveniently accessible anytime, anywhere. The advent of online libraries and platforms dedicated to sharing knowledge has revolutionized the way we consume information. No longer confined to physical libraries or bookstores, readers can now access an extensive collection of digital books and manuals with just a few clicks. These resources, available in PDF, Microsoft Word, and PowerPoint formats, cater to a wide range of interests, including literature, technology, science, history, and much more. One notable platform where you can explore and download free Tamiya Mini Cooper Manual PDF books and manuals is the internet's largest free library. Hosted online, this catalog compiles a vast assortment of documents, making it a veritable goldmine of knowledge. With its easy-to-use website interface and customizable PDF generator, this platform offers a user-friendly experience, allowing individuals to effortlessly navigate and access the information they seek. The availability of free PDF books and manuals on this platform demonstrates its commitment to democratizing education and empowering individuals with the tools needed to succeed in their chosen fields. It allows anyone, regardless of their background or financial limitations, to expand their horizons and gain insights from experts in various disciplines. One of the most significant advantages of downloading PDF books and manuals lies in their portability. Unlike physical copies, digital books can be stored and carried on a single device, such as a tablet or smartphone, saving valuable space and weight. This convenience makes it possible for readers to have their entire library at their fingertips, whether they are commuting, traveling, or simply enjoying a lazy afternoon at home. Additionally, digital files are easily searchable, enabling readers to locate specific information within seconds. With a few keystrokes, users can search for keywords, topics, or phrases, making research and finding relevant information a breeze. This efficiency saves time and effort, streamlining the learning process and allowing individuals to focus on extracting the information they

need. Furthermore, the availability of free PDF books and manuals fosters a culture of continuous learning. By removing financial barriers, more people can access educational resources and pursue lifelong learning, contributing to personal growth and professional development. This democratization of knowledge promotes intellectual curiosity and empowers individuals to become lifelong learners, promoting progress and innovation in various fields. It is worth noting that while accessing free Tamiya Mini Cooper Manual PDF books and manuals is convenient and cost-effective, it is vital to respect copyright laws and intellectual property rights. Platforms offering free downloads often operate within legal boundaries, ensuring that the materials they provide are either in the public domain or authorized for distribution. By adhering to copyright laws, users can enjoy the benefits of free access to knowledge while supporting the authors and publishers who make these resources available. In conclusion, the availability of Tamiya Mini Cooper Manual free PDF books and manuals for download has revolutionized the way we access and consume knowledge. With just a few clicks, individuals can explore a vast collection of resources across different disciplines, all free of charge. This accessibility empowers individuals to become lifelong learners, contributing to personal growth, professional development, and the advancement of society as a whole. So why not unlock a world of knowledge today? Start exploring the vast sea of free PDF books and manuals waiting to be discovered right at your fingertips.

FAQs About Tamiya Mini Cooper Manual Books

How do I know which eBook platform is the best for me? Finding the best eBook platform depends on your reading preferences and device compatibility. Research different platforms, read user reviews, and explore their features before making a choice. Are free eBooks of good quality? Yes, many reputable platforms offer high-quality free eBooks, including classics and public domain works. However, make sure to verify the source to ensure the eBook credibility. Can I read eBooks without an eReader? Absolutely! Most eBook platforms offer web-based readers or mobile apps that allow you to read eBooks on your computer, tablet, or smartphone. How do I avoid digital eye strain while reading eBooks? To prevent digital eye strain, take regular breaks, adjust the font size and background color, and ensure proper lighting while reading eBooks. What the advantage of interactive eBooks? Interactive eBooks incorporate multimedia elements, quizzes, and activities, enhancing the reader engagement and providing a more immersive learning experience. Tamiya Mini Cooper Manual is one of the best book in our library for free trial. We provide copy of Tamiya Mini Cooper Manual in digital format, so the resources that you find are reliable. There are also many Ebooks of related with Tamiya Mini Cooper Manual. Where to download Tamiya Mini Cooper Manual online for free? Are you looking for Tamiya Mini Cooper Manual PDF? This is definitely going to save you time and cash in something you should think about.

Find Tamiya Mini Cooper Manual :

how do the circulatory and urinary systems work together

[how to build shed roof](#)

[how does your garden grow song lyrics](#)

[how much is minitab](#)

[how do you say butterfly in spanish](#)

[how can logarithms be used to solve exponential equations](#)

how deep is your love group

[how old is bill nye the science guy now](#)

[how cybersecurity really works pdf](#)

[how are hornets nest made](#)

[how long was nelson mandela locked up](#)

house in flowers in the attic

how to bid an excavation job

how many questions are on the louisiana notary exam

[houston water leak adjustment form](#)

Tamiya Mini Cooper Manual :