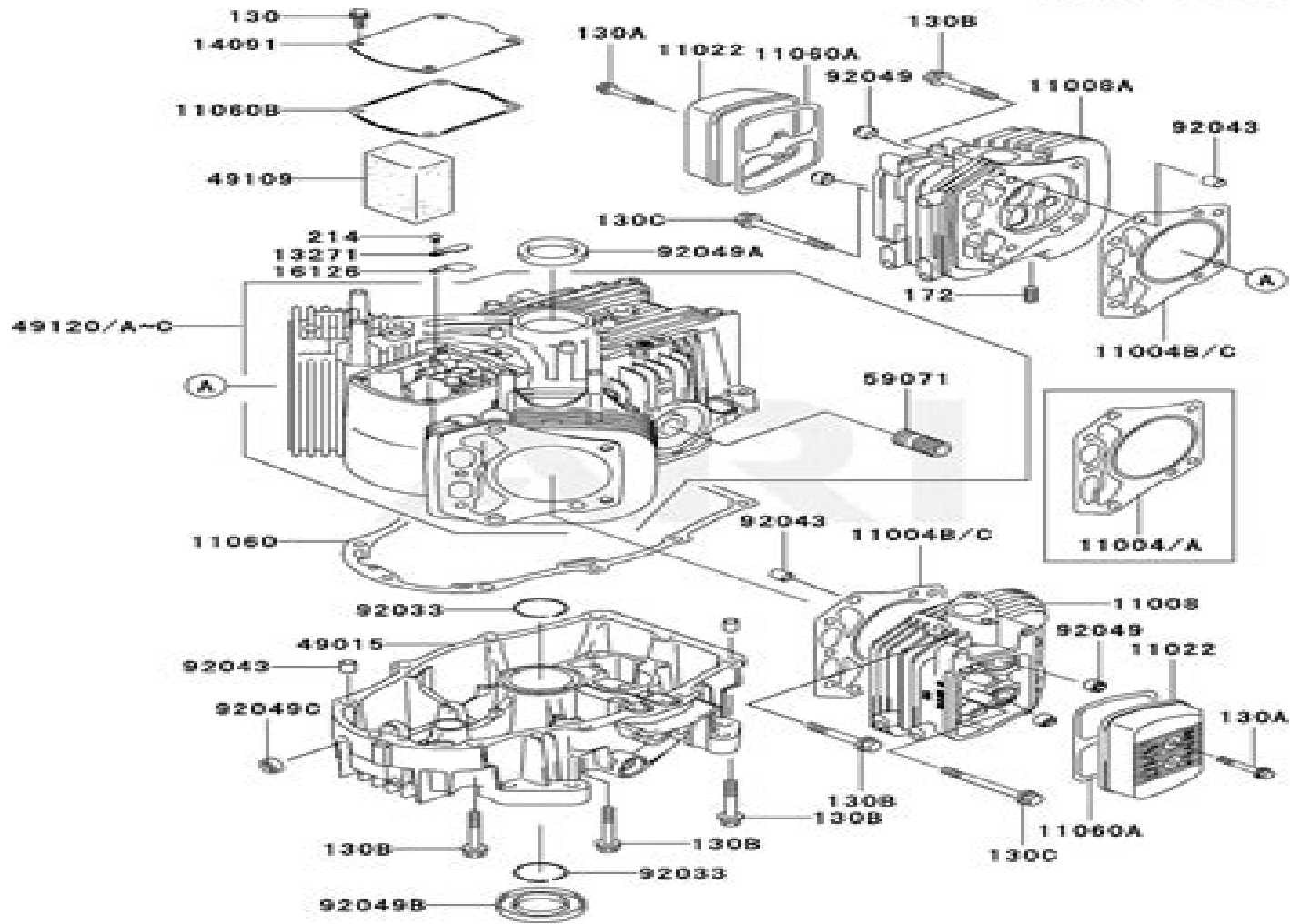


E0110-A390G



Kawasaki 13 Hp Engine Manual

Liyong Dong



Kawasaki 13 Hp Engine Manual

Small Air-cooled Engine Service Manual, 1990-1994 ,1995 Previously published as one volume under same title
Motorship Manual and Register of Motorvessels ,1928 Rea's Far Eastern Manual... ,1923 *Club Car / Kawasaki*
4-Stroke Air-Cooled Engines 1984 - 2013 Brad Porcellato,2019-12-30 Includes Tool List General Information Engine Rotation
CW vs CCW Engine Disassembly FE Series FE Series Torque and Bore Specs FE Series Performance Jetting 22mm Mikuni
Timing Advance Keys Flywheel Lightening Cylinder Head Milling Porting Cam Timing Building the 325cc Big Bore FE290
and CW Removal FE Series Repairs Remote Oil Cooler Bolted Cam Gear FE400 Smoke fix Exhaust Guide Repair Link Arm
Bushing Replacement Cylinder Assembly and Piston Orientation FE Series Assembly KF82 General Information KF82 Torque
Specs KF82 Disassembly KF82 Measurement Inspection KF82 Assembly KF82 Pictures for Reference KF82 FE290 FE400
Ignition Testing KF82 FE290 FE400 Parts Reference 1997 2013 Club Car Gas Transaxle 1997 2013 CC Gas Type K HS Gear
Installation 1997 2013 CC Gas Type K Posi Shims 1997 13 CC Gas Transaxle Pictures for Reference and more Also includes
1997 2013 Club Car Kawasaki Gas Transaxle Rebuild Hi Speed Gear Installation Boating ,1997-01 *Boating* ,1996-01
Honda CB500F/X and CBR500R Editors of Haynes Manuals,2021-08-10 This Haynes Manual features complete
maintenance and repair information for Honda CB500F X and CBR500R motorcycles built from 2013 to 2020 *Popular*
Science ,1984-11 Popular Science gives our readers the information and tools to improve their technology and their world
The core belief that Popular Science and our readers share The future is going to be better and science and technology are
the driving forces that will help make it better **Power Farming in Australia and New Zealand Technical Manual**
,1989 **Vehicle Operator's Manual** ,1988 **Popular Mechanics** ,1991-03 Popular Mechanics inspires instructs and
influences readers to help them master the modern world Whether it s practical DIY home improvement tips gadgets and
digital technology information on the newest cars or the latest breakthroughs in science PM is the ultimate guide to our high
tech lifestyle *Airframe and Powerplant Mechanics Airframe Handbook* United States. Flight Standards Service,1976
Paperbound Books in Print ,1992 **Clinical Case Studies for the Family Nurse Practitioner** Leslie
Neal-Boylan,2011-11-28 Clinical Case Studies for the Family Nurse Practitioner is a key resource for advanced practice
nurses and graduate students seeking to test their skills in assessing diagnosing and managing cases in family and primary
care Composed of more than 70 cases ranging from common to unique the book compiles years of experience from experts in
the field It is organized chronologically presenting cases from neonatal to geriatric care in a standard approach built on the
SOAP format This includes differential diagnosis and a series of critical thinking questions ideal for self assessment or
classroom use **Car and Driver** ,1973 Jane's All the World's Aircraft Frederick Thomas Jane,1987 **AMJ**,
Agricultural Machinery Journal ,1975 **American Book Publishing Record** ,2004 **Subject Guide to Books in**

Print ,1997 Operations Management in Automotive Industries Marco Gobetto,2013-10-23 This book has proved its worth over the years as a text for courses in Production Management at the Faculty of Automotive Engineering in Turin Italy but deserves a wider audience as it presents a compendium of basics on Industrial Management since it covers all major topics required It treats all subjects from product development and make or buy decision strategies to the manufacturing systems setting and management through analysis of the main resources needed in production and finally exploring the supply chain management and the procurement techniques The very last chapter recapitulates the previous ones by analysing key management indicators to pursue the value creation that is the real purpose of every industrial enterprise As an appendix a specific chapter is dedicated to the basics of production management where all main relevant definitions techniques and criteria are treated including some numerical examples in order to provide an adequate foundation for understanding the other chapters This book will be of use not only to Automotive Engineering students but a wide range of readers who wish to gain insight in the world of automotive engineering and the automotive industry in general

elsevier medical secrets 6th edition harward - Jul 31 2022

web description for more than 30 years the highly regarded secrets series has provided students and practitioners in all areas of health care with concise focused and engaging resources for quick reference and exam review medical secrets 6th edition features the secrets popular question and answer format that also includes lists tables pearls

medical secrets 9780323478724 medicine health science - May 09 2023

web nov 12 2018 medical secrets 6th edition by mary p harward md author 4 3 43 ratings part of secrets 59 books see all formats and editions for more than 30 years the highly regarded secrets series has provided students and practitioners in all areas of health care with concise focused and engaging resources for quick reference and

medical secrets 9780323063982 medicine health science - Feb 06 2023

web may 11 2011 medical secrets is an easy to read best selling volume in the secrets series perfect for use in clerkships for board prep or as a handy clinical reference mary p harward md presents core medical knowledge in the trusted question and answer format to help you better meet the challenges you face every day

medical secrets 6th edition elsevier - Jun 10 2023

web sep 29 2018 medical secrets 6th edition features the secrets popular question and answer format that also includes lists tables pearls memory aids and an easy to read style making inquiry reference and review quick easy and enjoyable table of contents product details purchase medical secrets 6th edition print book e book

medical secrets 9780323478724 elsevier health - Mar 07 2023

web for more than 30 years the highly regarded secrets series has provided students and practitioners in all areas of health

care with concise focused and engaging resources for quick reference and exam review medical secrets 6th edition features the secrets popular question and answer format that also includes lists tables pearls memory aids

[secrets series elsevier health](#) - Apr 27 2022

web the real secret to success for more than 30 years the highly regarded secrets series has provided students and practitioners in all areas of health care with concise focused and engaging resources for quick reference and exam review the seven textbooks under the series cover a range of topics from cardiology to pain management and

[medical secrets youtube](#) - Jun 29 2022

web medical secrets medicalsecrets 293k subscribers 620 videos you have more power over your health than you ve probably ever been told clarus health com and 2 more links subscribe home

medical secrets medical secrets - Feb 23 2022

web learn skincare tips and tricks at medical secrets everyone should know tips from a board certified dermatologist if you can t find what you are looking for use the search button at the top of the page to find any medical secrets that are right for you

medical secrets - Oct 14 2023

web medical secrets as a board certified dermatologist i often share tricks of the trade with my patients and family on skincare tips and routines healthcare is expensive often over the counter skin treatments and home remedies can work for you and save you lots of money if you know which ones to use and how to use them

medical secrets e book 6th ed by mary p harward ebook - Oct 02 2022

web 9780323527910 for more than 30 years the highly regarded secrets series has provided students and practitioners in all areas of health care with concise focused and engaging resources for quick reference and exam review medical secrets 6th edition features the secrets popular question and answer format that also includes lists

[medical secrets 6th edition 9780323478724 elsevier](#) - Jan 05 2023

web oct 29 2018 paperback for more than 30 years the highly regarded secrets series has provided students and practitioners in all areas of health care with concise focused and engaging resources for quick reference and exam review medical secrets 6th edition features the secrets popular question and answer format that also includes

medical secrets sciencedirect - Sep 13 2023

web medical secrets is an easy to read best selling volume in the secrets series perfect for use in clerkships for board prep or as a handy clinical reference mary p harward md presents core medical knowledge in the trusted question and answer format to help you better meet the challenges you face every day

medical secrets 9780323478724 us elsevier health - Aug 12 2023

web for more than 30 years the highly regarded secrets series has provided students and practitioners in all areas of health care with concise focused and engaging resources for quick reference and exam review medical secrets 6th edition features the secrets popular question and answer format that also includes lists tables pearls memory aids

medical secrets google books - Nov 03 2022

web oct 29 2018 for more than 30 years the highly regarded secrets series r has provided students and practitioners in all areas of health care with concise focused and engaging resources for quick reference and exam review medical secrets 6th edition features the secrets popular question and answer format that also includes lists tables pearls

medical secrets 5th edition - Sep 01 2022

web medical secrets is an easy to read best selling volume in the secrets series perfect for use in clerkships for board prep or as a handy clinical reference mary p harward md presents core medical knowledge in the trusted question and answer format to help you better meet the challenges you face every day

medical secrets 6th edition store elsevierhealth com - Apr 08 2023

web for more than 30 years the highly regarded secrets series reg has provided students and practitioners in all areas of health care with concise focused and engaging resources for quick reference and exam review medical secrets 6th edition features the secrets apos popular question and answer format that also includes lists tables pearls memory aids

medical secrets 6th edition medical books free - Mar 27 2022

web apr 30 2020 for more than 30 years the highly regarded secrets series has provided students and practitioners in all areas of health care with concise focused and engaging resources for quick reference and exam review medical secrets 6th edition features the secrets popular question and answer format that also includes lists tables pearls

acne medical secrets - May 29 2022

web sep 10 2023 learn about acne from medical secrets everyone should know tips from a board certified dermatologist there are two main types of acne 1 blackheads and whiteheads comedones and 2 pimples and cysts inflammatory acne treatments for each type of acne are a bit different

medical secrets 6th edition mary p harward isbn - Jul 11 2023

web oct 29 2018 for more than 30 years the highly regarded secrets series has provided students and practitioners in all areas of health care with concise focused and engaging resources for quick reference and exam review medical secrets 6th edition features the secrets popular question and answer format that also includes lists tables pearls

medical secrets mary p harward md google books - Dec 04 2022

web apr 27 2011 medical secrets is an easy to read best selling volume in the secrets series perfect for use in clerkships for board prep or as a handy clinical reference mary p harward md presents core medical knowledge in the trusted question and

answer format to help you better meet the challenges you face every day prepare effectively with

la guerre sans nom les appels c s d alga c rie 19 billie lee - Jan 28 2022

web jan 12 2023 4730014 la guerre sans nom les appels c s d alga c rie 19 2 14 downloaded from ctwelland clearfit com on by guest led to the adoption of numerous environmental policies the concept of the green economy has gained particular attention as an economic system where growth is possible within environmental limits the

pdf la guerre sans nom les appels c s d alga c rie 19 - Nov 06 2022

web la guerre sans nom les appels c s d alga c rie 19 living sci bio 8 col ed apr 12 2020 the comprehensive text builds up a sound base for higher classes the accurate diagrams activities and experiments are aimed at developing a scientific temper exhaustive exercises are given to test knowledge understanding and application of

la guerre sans nom les appels c s d alga c rie 19 download - Jul 02 2022

web de la violence interrogation sur la légitimité de la guerre constituent les principaux thèmes parcours à travers la mémoire des appelés ce livre est aussi un essai sur notre passé national

la guerre sans nom les appelés d algérie 1954 1962 by - Aug 15 2023

web la guerre sans nom les appelés d algérie 1954 1962 by patrick rotman bertrand tavernier secrte en espagne par daniele ganser les femmes dans la guerre d indpendance d hayti sema kama les anglais dans la guerre france 3 hauts de france sarah cattan nos soignants meurent envoys la guerre l uvre et dehors c tait la guerre

la guerre sans nom radio france - Aug 03 2022

web sep 14 2013 la coalition des volontaires autant dire la coalition des coalisés la guerre sans nom empruntait ainsi à la définition de dieu dans la théologie négative on ne pouvait pas dire ce qu elle était seulement ce qu elle n était pas et c est pourquoi il restait pour désigner son but le mot de punition

la guerre sans nom les appels c s d alga c rie 19 pdf - Dec 07 2022

web la guerre sans nom les appels c s d alga c rie 19 2 6 downloaded from uniport edu ng on august 24 2023 by guest la guerre d algrie n a pas eu lieu michel cornaton 2018 01 05 un rcit initiatique qui au lendemain des trois guerres franco allemandes successives travers les hors lieux de l orphelinat du petit et du grand sminaire

la guerre sans nom les appels c s d alga c rie 19 pdf - Feb 09 2023

web la guerre sans nom les appels c s d alga c rie 19 recognizing the habit ways to get this book la guerre sans nom les appels c s d alga c rie 19 is additionally useful you have remained in right site to start getting this info get the la guerre sans nom les appels c s d alga c rie 19 associate that we find the money for here and check out the

la guerre sans nom les appels c s d alga c rie 19 pdf - Mar 10 2023

web aug 18 2023 favored books la guerre sans nom les appels c s d alga c rie 19 collections that we have this is why you

remain in the best website to see the unbelievable ebook to have dictionnaire de l académie française revu corrigé et augmenté par l académie elle même institut de france académie française 1814 la guerre sans nom

la guerre sans nom les appelés d algérie 1954 1962 - Jul 14 2023

web retrouvez la guerre sans nom les appelés d algérie 1954 1962 et des millions de livres en stock sur amazon fr achetez neuf ou d occasion amazon fr la guerre sans nom les appelés d algérie 1954 1962 rotman patrick tavernier bertrand livres *la guerre sans nom les appela c s d alga c rie 19 ashley* - Jan 08 2023

web in some cases you likewise complete not discover the publication la guerre sans nom les appela c s d alga c rie 19 that you are looking for it will no question squander the time however below subsequently you visit this web page it will be therefore enormously easy to acquire as without difficulty as download lead la guerre sans nom les

la guerre sans nom les appela c s d alga c rie 19 full pdf - May 12 2023

web la guerre d algérie fut le grand épisode traumatique de l histoire de la france des trente glorieuses et les blessures ouvertes alors ne sont pas encore refermées comme en témoignent

la guerre sans nom les appela c s d alga c rie 19 - Apr 11 2023

web right here we have countless ebook la guerre sans nom les appela c s d alga c rie 19 and collections to check out we additionally provide variant types and also type of the books to browse the standard book fiction history novel scientific research as capably as various further sorts of books are readily comprehensible here

la guerre sans nom les appela c s d alga c rie 19 pdf - Sep 04 2022

web mar 18 2023 la guerre sans nom les appela c s d alga c rie 19 1 9 downloaded from uniport edu ng on march 18 2023 by guest la guerre sans nom les appela c s d alga c rie 19 thank you extremely much for downloading la guerre sans nom les appela c s d alga c rie 19 most likely you have knowledge that people have look numerous

la guerre sans nom english translation linguee - Jun 01 2022

web many translated example sentences containing la guerre sans nom mère décorée de la croix d argent elle déposera une couronne au pied du monument commémoratif de guerre du canada au nom de toutes les mères qui ont perdu des enfants durant le service militaire et service dan voici 19 jours qu israël la puissance

la guerre sans nom les appela c s d alga c rie 19 pdf - Jun 13 2023

web la guerre sans nom les appela c s d alga c rie 19 3 3 brutal war for independence from 1954 to 1962 the nearly one million pieds noirs literally black feet were former french citizens of algeria who suffered a traumatic departure from their homes and discrimination upon arrival in france in response the

la guerre sans nom les appela c s d alga c rie 19 ashley - Mar 30 2022

web this la guerre sans nom les appela c s d alga c rie 19 can be taken as competently as picked to act yvain chretien de

troyes 1987 09 10 a twelfth century poem by the creator of the arthurian romance describes the courageous exploits and triumphs of a brave lord who tries to win back his deserted wife s love

[la guerre sans nom les appela c s d alga c rie 19 pdf](#) - Oct 05 2022

web la guerre sans nom les appela c s d alga c rie 19 1 la guerre sans nom les appela c s d alga c rie 19 when people should go to the book stores search foundation by shop shelf by shelf it is essentially problematic this is why we offer the ebook compilations in this website it will completely ease you to

la guerre sans nom documentaire 1992 senscritique - Apr 30 2022

web feb 18 1992 la guerre sans nom est un film de bertrand tavernier la guerre sans nom est un film de bertrand tavernier synopsis trente ans après la guerre d algérie reste enfouie dans les mémoires de ceux qui l ont menée les 2 7 explorer films À l affiche documentaire de bertrand tavernier 4 h 19 février 1992 france genres

[la guerre sans nom les appelés d algérie 1954 1962 by](#) - Dec 27 2021

web la guerre sans nom les appelés d algérie 1954 1962 by patrick rotman bertrand tavernier appela d finition de appela march 8th 2020 39 or sachant tout cela si nous avons à nommer les mots qui représentent ces êtres nous ne les appellerions pas des substantifs nous leur donnerions plutôt un nom tiré de leur fonction nous

[la guerre sans nom les appela c s d alga c rie 19 loren](#) - Feb 26 2022

web it is your no question own era to appear in reviewing habit in the midst of guides you could enjoy now is la guerre sans nom les appela c s d alga c rie 19 below biodiversity in the green economy alexandros gasparatos 2015 06 05 in the past decade the growing realization that biodiversity and human wellbeing are inextricably linked has

clock repairing as a hobby an illustrated how to guide - Jul 16 2023

web buy clock repairing as a hobby an illustrated how to guide for the beginner reprint by kelly harold c isbn 0880791848841 from amazon s book store everyday

[clock repairing as a hobby an illustrated how to guide for the](#) - Oct 07 2022

web it covers the theory behind clock movement and design including the particulars of escapements pendulums balance wheels and even the sheet music for popular

clock repairing as a hobby an illustrated how to guide for the - Aug 05 2022

web product information it covers the theory behind clock movement and design including the particulars of escapements pendulums balance wheels and even the sheet music for

clock repairing as a hobby an illustrated how to guide for the - Aug 17 2023

web clock repairing as a hobby an illustrated how to guide for the beginner kelly harold c amazon com tr kitap

clock repairing as a hobby an book by harold c kelly - Jul 04 2022

web clock repairing as a hobby an illustrated how to guide for the beginner on amazon com free shipping on qualifying offers
clock repairing as a hobby an

clock repairing as a hobby an illustrated how amazon co uk - Nov 27 2021

clock repairing as a hobby an illustrated how to guide - Dec 09 2022

web buy clock repairing as a hobby an illustrated how to guide for the beginner by harold c kelly online at alibris we have
new and used copies available in 1 editions starting

clock repairing as a hobby an illustrated how to for the - Jan 30 2022

web buy clock repairing as a hobby an illustrated how to guide for the beginner by isbn from amazon s book store everyday
low prices and free delivery on eligible

clock repairing as a hobby an illustrated how to guide for the - May 14 2023

web clock repairing as a hobby an illustrated how to guide for the beginner harold c kelly no preview available 2006

clock repairing as a hobby an illustrated how to guide for the - Jun 03 2022

web discover and share books you love on goodreads

clock repairing as a hobby an illustrated how - Jun 15 2023

web buy clock repairing as a hobby an illustrated how to guide for the beginner by isbn 9780809619054 from amazon s book
store everyday low prices and free delivery on

clock repairing as a hobby an illustrated how to guide for the - May 02 2022

web oct 18 2022 clock repairing as a hobby an illustrated how to guide for the beginner link download in description simple
step to read and download 1 create a

clock repairing as a hobby harold caleb kelly google books - Apr 13 2023

web sep 17 2007 overview it covers the theory behind clock movement and design including the particulars of escapements
pendulums balance wheels and even the sheet music

clock repairing as a hobby an illustrated how to guide for the - Sep 06 2022

web buy a cheap copy of clock repairing as a hobby an book by harold c kelly it covers the theory behind clock movement and
design including the particulars of escapements

clock repairing as a hobby an illustrated how to guide for the - Feb 11 2023

web clock repairing as a hobby an illustrated how to guide for the beginner kelly harold c 9780809619054 books amazon ca
[loading interface goodreads](#) - Apr 01 2022

web clock repairing and making a practical handbook dealing with the tools materials and methods used in cleaning and

repairing all kinds of english and foreign timepieces

clock repairing as a hobby an illustrated how to guide for the - Jan 10 2023

web clock repairing as a hobby an illustrated how to guide for the beginner harold c kelly 0 00 0

pdf download free clock repairing as a hobby an - Feb 28 2022

web buy clock repairing as a hobby an illustrated how to guide for the beginner by kelly harold c 2007 paperback by isbn from amazon s book store everyday low prices

clock repairing as a hobby an illustrated how to guide for the - Dec 29 2021

clock repairing as a hobby an illustrated how to guide - Sep 18 2023

web apr 1 2006 clock repairing as a hobby an illustrated how to guide for the beginner harold c kelly skyhorse apr 1 2006 antiques collectibles 128 pages it covers

clock repairing as a hobby an illustrated how to - Nov 08 2022

web clock repairing as a hobby an illustrated how to guide for the beginner by kelly harold caleb publication date 2007 topics clocks and watches publisher new york skyhorse

clock repairing as a hobby an illustrated how to guide - Mar 12 2023

web the american striking clock the 400 day clock and the alarm clock receive special attention the in depth information including explanations of clock repairing

Immerse yourself in heartwarming tales of love and emotion with Explore Love with its touching creation, **Kawasaki 13 Hp Engine Manual** . This emotionally charged ebook, available for download in a PDF format (PDF Size: *), is a celebration of love in all its forms. Download now and let the warmth of these stories envelop your heart.

https://offsite.creighton.edu/files/virtual-library/Documents/oracle_application_management_suite.pdf

https://offsite.creighton.edu/files/virtual-library/Documents/once_a_wiseguy.pdf

https://offsite.creighton.edu/files/virtual-library/Documents/our_class_is_a_family_activities_pdf.pdf

Table of Contents Kawasaki 13 Hp Engine Manual

1. Understanding the eBook Kawasaki 13 Hp Engine Manual
 - The Rise of Digital Reading Kawasaki 13 Hp Engine Manual
 - Advantages of eBooks Over Traditional Books
2. Identifying Kawasaki 13 Hp Engine Manual
 - Exploring Different Genres
 - Considering Fiction vs. Non-Fiction
 - Determining Your Reading Goals
3. Choosing the Right eBook Platform
 - Popular eBook Platforms
 - Features to Look for in an Kawasaki 13 Hp Engine Manual
 - User-Friendly Interface
4. Exploring eBook Recommendations from Kawasaki 13 Hp Engine Manual
 - Personalized Recommendations
 - Kawasaki 13 Hp Engine Manual User Reviews and Ratings

- Kawasaki 13 Hp Engine Manual and Bestseller Lists
- 5. Accessing Kawasaki 13 Hp Engine Manual Free and Paid eBooks
 - Kawasaki 13 Hp Engine Manual Public Domain eBooks
 - Kawasaki 13 Hp Engine Manual eBook Subscription Services
 - Kawasaki 13 Hp Engine Manual Budget-Friendly Options
- 6. Navigating Kawasaki 13 Hp Engine Manual eBook Formats
 - ePub, PDF, MOBI, and More
 - Kawasaki 13 Hp Engine Manual Compatibility with Devices
 - Kawasaki 13 Hp Engine Manual Enhanced eBook Features
- 7. Enhancing Your Reading Experience
 - Adjustable Fonts and Text Sizes of Kawasaki 13 Hp Engine Manual
 - Highlighting and Note-Taking Kawasaki 13 Hp Engine Manual
 - Interactive Elements Kawasaki 13 Hp Engine Manual
- 8. Staying Engaged with Kawasaki 13 Hp Engine Manual
 - Joining Online Reading Communities
 - Participating in Virtual Book Clubs
 - Following Authors and Publishers Kawasaki 13 Hp Engine Manual
- 9. Balancing eBooks and Physical Books Kawasaki 13 Hp Engine Manual
 - Benefits of a Digital Library
 - Creating a Diverse Reading Collection Kawasaki 13 Hp Engine Manual
- 10. Overcoming Reading Challenges
 - Dealing with Digital Eye Strain
 - Minimizing Distractions
 - Managing Screen Time
- 11. Cultivating a Reading Routine Kawasaki 13 Hp Engine Manual
 - Setting Reading Goals Kawasaki 13 Hp Engine Manual
 - Carving Out Dedicated Reading Time
- 12. Sourcing Reliable Information of Kawasaki 13 Hp Engine Manual
 - Fact-Checking eBook Content of Kawasaki 13 Hp Engine Manual
 - Distinguishing Credible Sources

-
13. Promoting Lifelong Learning
 - Utilizing eBooks for Skill Development
 - Exploring Educational eBooks
 14. Embracing eBook Trends
 - Integration of Multimedia Elements
 - Interactive and Gamified eBooks

Kawasaki 13 Hp Engine Manual Introduction

In this digital age, the convenience of accessing information at our fingertips has become a necessity. Whether its research papers, eBooks, or user manuals, PDF files have become the preferred format for sharing and reading documents. However, the cost associated with purchasing PDF files can sometimes be a barrier for many individuals and organizations. Thankfully, there are numerous websites and platforms that allow users to download free PDF files legally. In this article, we will explore some of the best platforms to download free PDFs. One of the most popular platforms to download free PDF files is Project Gutenberg. This online library offers over 60,000 free eBooks that are in the public domain. From classic literature to historical documents, Project Gutenberg provides a wide range of PDF files that can be downloaded and enjoyed on various devices. The website is user-friendly and allows users to search for specific titles or browse through different categories. Another reliable platform for downloading Kawasaki 13 Hp Engine Manual free PDF files is Open Library. With its vast collection of over 1 million eBooks, Open Library has something for every reader. The website offers a seamless experience by providing options to borrow or download PDF files. Users simply need to create a free account to access this treasure trove of knowledge. Open Library also allows users to contribute by uploading and sharing their own PDF files, making it a collaborative platform for book enthusiasts. For those interested in academic resources, there are websites dedicated to providing free PDFs of research papers and scientific articles. One such website is Academia.edu, which allows researchers and scholars to share their work with a global audience. Users can download PDF files of research papers, theses, and dissertations covering a wide range of subjects. Academia.edu also provides a platform for discussions and networking within the academic community. When it comes to downloading Kawasaki 13 Hp Engine Manual free PDF files of magazines, brochures, and catalogs, Issuu is a popular choice. This digital publishing platform hosts a vast collection of publications from around the world. Users can search for specific titles or explore various categories and genres. Issuu offers a seamless reading experience with its user-friendly interface and allows users to download PDF files for offline reading. Apart from dedicated platforms, search engines also play a crucial role in finding free PDF files. Google, for instance, has an advanced search feature that allows users to filter results by file type. By specifying the file type as "PDF," users can find websites that

offer free PDF downloads on a specific topic. While downloading Kawasaki 13 Hp Engine Manual free PDF files is convenient, its important to note that copyright laws must be respected. Always ensure that the PDF files you download are legally available for free. Many authors and publishers voluntarily provide free PDF versions of their work, but its essential to be cautious and verify the authenticity of the source before downloading Kawasaki 13 Hp Engine Manual. In conclusion, the internet offers numerous platforms and websites that allow users to download free PDF files legally. Whether its classic literature, research papers, or magazines, there is something for everyone. The platforms mentioned in this article, such as Project Gutenberg, Open Library, Academia.edu, and Issuu, provide access to a vast collection of PDF files. However, users should always be cautious and verify the legality of the source before downloading Kawasaki 13 Hp Engine Manual any PDF files. With these platforms, the world of PDF downloads is just a click away.

FAQs About Kawasaki 13 Hp Engine Manual Books

1. Where can I buy Kawasaki 13 Hp Engine Manual books? Bookstores: Physical bookstores like Barnes & Noble, Waterstones, and independent local stores. Online Retailers: Amazon, Book Depository, and various online bookstores offer a wide range of books in physical and digital formats.
2. What are the different book formats available? Hardcover: Sturdy and durable, usually more expensive. Paperback: Cheaper, lighter, and more portable than hardcovers. E-books: Digital books available for e-readers like Kindle or software like Apple Books, Kindle, and Google Play Books.
3. How do I choose a Kawasaki 13 Hp Engine Manual book to read? Genres: Consider the genre you enjoy (fiction, non-fiction, mystery, sci-fi, etc.). Recommendations: Ask friends, join book clubs, or explore online reviews and recommendations. Author: If you like a particular author, you might enjoy more of their work.
4. How do I take care of Kawasaki 13 Hp Engine Manual books? Storage: Keep them away from direct sunlight and in a dry environment. Handling: Avoid folding pages, use bookmarks, and handle them with clean hands. Cleaning: Gently dust the covers and pages occasionally.
5. Can I borrow books without buying them? Public Libraries: Local libraries offer a wide range of books for borrowing. Book Swaps: Community book exchanges or online platforms where people exchange books.
6. How can I track my reading progress or manage my book collection? Book Tracking Apps: Goodreads, LibraryThing, and Book Catalogue are popular apps for tracking your reading progress and managing book collections. Spreadsheets: You can create your own spreadsheet to track books read, ratings, and other details.

7. What are Kawasaki 13 Hp Engine Manual audiobooks, and where can I find them? Audiobooks: Audio recordings of books, perfect for listening while commuting or multitasking. Platforms: Audible, LibriVox, and Google Play Books offer a wide selection of audiobooks.
8. How do I support authors or the book industry? Buy Books: Purchase books from authors or independent bookstores. Reviews: Leave reviews on platforms like Goodreads or Amazon. Promotion: Share your favorite books on social media or recommend them to friends.
9. Are there book clubs or reading communities I can join? Local Clubs: Check for local book clubs in libraries or community centers. Online Communities: Platforms like Goodreads have virtual book clubs and discussion groups.
10. Can I read Kawasaki 13 Hp Engine Manual books for free? Public Domain Books: Many classic books are available for free as they're in the public domain. Free E-books: Some websites offer free e-books legally, like Project Gutenberg or Open Library.

Find Kawasaki 13 Hp Engine Manual :

oracle application management suite

[once a wiseguy](#)

[our class is a family activities pdf](#)

oracle business intelligence training

[outline of public speaking](#)

[oracle modern best practices](#)

online banking simulation for students

[once upon a time in hollywood script pdf](#)

[osteoporosis hesi case study](#)

[opposite of progressivism](#)

orea form 400

[organelles and their functions quiz](#)

[other books by the author of the nightingale](#)

[origin of flying by the seat of your pants](#)

[operation duck hook](#)

Kawasaki 13 Hp Engine Manual :