

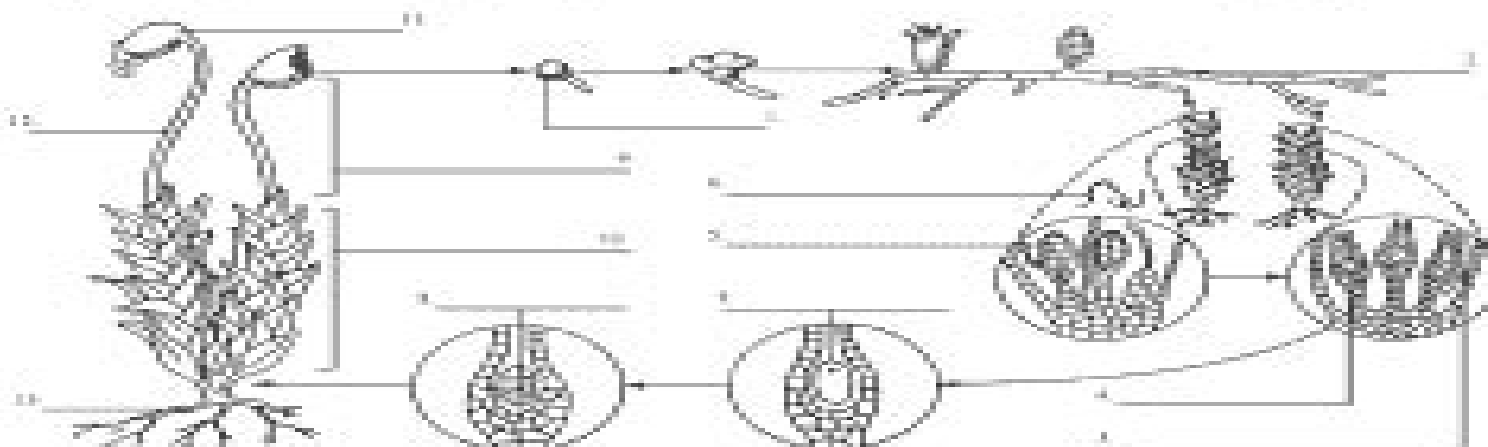
Worksheet

Moss - Fern Life Cycle

Procedure:

During reproduction, mosses exhibit alternation of generations in which a gametophyte generation gives rise to a sporophyte generation that, in turn, gives rise to another gametophyte generation. The leafy, green forms of mosses are the gametophytes, and the stalks are the sporophytes.

A. Study the diagram below showing the life cycle of a moss. Label each of the structures in the space provided.



B. Answer the following questions.

1. What composes a gametophyte?
2. What composes a sporophyte?
3. What is produced in the antheridium? _____, in the archegonium? _____
4. How does a spore form? _____, is it haploid or diploid? _____
5. What develops from a spore?
6. Spores develop within sporophytes that are diploid, but the spores are haploid when released. What caused this change?
7. What is the function of peristomes?
8. What evidence indicates that the mosses evolved from the green algae?

Chapter 22 Plant Diversity Guided Reading Answer Key

George M. Briggs



Chapter 22 Plant Diversity Guided Reading Answer Key

This book delves into Chapter 22 Plant Diversity Guided Reading Answer Key. Chapter 22 Plant Diversity Guided Reading Answer Key is a vital topic that must be grasped by everyone, from students and scholars to the general public. This book will furnish comprehensive and in-depth insights into Chapter 22 Plant Diversity Guided Reading Answer Key, encompassing both the fundamentals and more intricate discussions.

1. The book is structured into several chapters, namely:
 - Chapter 1: Introduction to Chapter 22 Plant Diversity Guided Reading Answer Key
 - Chapter 2: Essential Elements of Chapter 22 Plant Diversity Guided Reading Answer Key
 - Chapter 3: Chapter 22 Plant Diversity Guided Reading Answer Key in Everyday Life
 - Chapter 4: Chapter 22 Plant Diversity Guided Reading Answer Key in Specific Contexts
 - Chapter 5: Conclusion
 2. In chapter 1, the author will provide an overview of Chapter 22 Plant Diversity Guided Reading Answer Key. This chapter will explore what Chapter 22 Plant Diversity Guided Reading Answer Key is, why Chapter 22 Plant Diversity Guided Reading Answer Key is vital, and how to effectively learn about Chapter 22 Plant Diversity Guided Reading Answer Key.
 3. In chapter 2, the author will delve into the foundational concepts of Chapter 22 Plant Diversity Guided Reading Answer Key. This chapter will elucidate the essential principles that must be understood to grasp Chapter 22 Plant Diversity Guided Reading Answer Key in its entirety.
 4. In chapter 3, the author will examine the practical applications of Chapter 22 Plant Diversity Guided Reading Answer Key in daily life. The third chapter will showcase real-world examples of how Chapter 22 Plant Diversity Guided Reading Answer Key can be effectively utilized in everyday scenarios.
 5. In chapter 4, the author will scrutinize the relevance of Chapter 22 Plant Diversity Guided Reading Answer Key in specific contexts. This chapter will explore how Chapter 22 Plant Diversity Guided Reading Answer Key is applied in specialized fields, such as education, business, and technology.
 6. In chapter 5, this book will draw a conclusion about Chapter 22 Plant Diversity Guided Reading Answer Key. This chapter will summarize the key points that have been discussed throughout the book.
- The book is crafted in an easy-to-understand language and is complemented by engaging illustrations. This book is highly recommended for anyone seeking to gain a comprehensive understanding of Chapter 22 Plant Diversity Guided Reading Answer Key.

https://offsite.creighton.edu/data/detail/HomePages/Massey_Ferguson_Forklift_For_Sale.pdf

https://offsite.creighton.edu/data/detail/HomePages/Mei_Easy_Fit.pdf

<https://offsite.creighton.edu/data/detail/HomePages/Maurice%20Durufle%20Requiem.pdf>

Table of Contents Chapter 22 Plant Diversity Guided Reading Answer Key

1. Understanding the eBook Chapter 22 Plant Diversity Guided Reading Answer Key
 - The Rise of Digital Reading Chapter 22 Plant Diversity Guided Reading Answer Key
 - Advantages of eBooks Over Traditional Books
2. Identifying Chapter 22 Plant Diversity Guided Reading Answer Key
 - Exploring Different Genres
 - Considering Fiction vs. Non-Fiction
 - Determining Your Reading Goals
3. Choosing the Right eBook Platform
 - Popular eBook Platforms
 - Features to Look for in an Chapter 22 Plant Diversity Guided Reading Answer Key
 - User-Friendly Interface
4. Exploring eBook Recommendations from Chapter 22 Plant Diversity Guided Reading Answer Key
 - Personalized Recommendations
 - Chapter 22 Plant Diversity Guided Reading Answer Key User Reviews and Ratings
 - Chapter 22 Plant Diversity Guided Reading Answer Key and Bestseller Lists
5. Accessing Chapter 22 Plant Diversity Guided Reading Answer Key Free and Paid eBooks
 - Chapter 22 Plant Diversity Guided Reading Answer Key Public Domain eBooks
 - Chapter 22 Plant Diversity Guided Reading Answer Key eBook Subscription Services
 - Chapter 22 Plant Diversity Guided Reading Answer Key Budget-Friendly Options
6. Navigating Chapter 22 Plant Diversity Guided Reading Answer Key eBook Formats
 - ePub, PDF, MOBI, and More
 - Chapter 22 Plant Diversity Guided Reading Answer Key Compatibility with Devices
 - Chapter 22 Plant Diversity Guided Reading Answer Key Enhanced eBook Features
7. Enhancing Your Reading Experience
 - Adjustable Fonts and Text Sizes of Chapter 22 Plant Diversity Guided Reading Answer Key

- Highlighting and Note-Taking Chapter 22 Plant Diversity Guided Reading Answer Key
 - Interactive Elements Chapter 22 Plant Diversity Guided Reading Answer Key
8. Staying Engaged with Chapter 22 Plant Diversity Guided Reading Answer Key
 - Joining Online Reading Communities
 - Participating in Virtual Book Clubs
 - Following Authors and Publishers Chapter 22 Plant Diversity Guided Reading Answer Key
 9. Balancing eBooks and Physical Books Chapter 22 Plant Diversity Guided Reading Answer Key
 - Benefits of a Digital Library
 - Creating a Diverse Reading Collection Chapter 22 Plant Diversity Guided Reading Answer Key
 10. Overcoming Reading Challenges
 - Dealing with Digital Eye Strain
 - Minimizing Distractions
 - Managing Screen Time
 11. Cultivating a Reading Routine Chapter 22 Plant Diversity Guided Reading Answer Key
 - Setting Reading Goals Chapter 22 Plant Diversity Guided Reading Answer Key
 - Carving Out Dedicated Reading Time
 12. Sourcing Reliable Information of Chapter 22 Plant Diversity Guided Reading Answer Key
 - Fact-Checking eBook Content of Chapter 22 Plant Diversity Guided Reading Answer Key
 - Distinguishing Credible Sources
 13. Promoting Lifelong Learning
 - Utilizing eBooks for Skill Development
 - Exploring Educational eBooks
 14. Embracing eBook Trends
 - Integration of Multimedia Elements
 - Interactive and Gamified eBooks

Chapter 22 Plant Diversity Guided Reading Answer Key Introduction

In this digital age, the convenience of accessing information at our fingertips has become a necessity. Whether its research papers, eBooks, or user manuals, PDF files have become the preferred format for sharing and reading documents. However, the cost associated with purchasing PDF files can sometimes be a barrier for many individuals and organizations. Thankfully,

there are numerous websites and platforms that allow users to download free PDF files legally. In this article, we will explore some of the best platforms to download free PDFs. One of the most popular platforms to download free PDF files is Project Gutenberg. This online library offers over 60,000 free eBooks that are in the public domain. From classic literature to historical documents, Project Gutenberg provides a wide range of PDF files that can be downloaded and enjoyed on various devices. The website is user-friendly and allows users to search for specific titles or browse through different categories. Another reliable platform for downloading Chapter 22 Plant Diversity Guided Reading Answer Key free PDF files is Open Library. With its vast collection of over 1 million eBooks, Open Library has something for every reader. The website offers a seamless experience by providing options to borrow or download PDF files. Users simply need to create a free account to access this treasure trove of knowledge. Open Library also allows users to contribute by uploading and sharing their own PDF files, making it a collaborative platform for book enthusiasts. For those interested in academic resources, there are websites dedicated to providing free PDFs of research papers and scientific articles. One such website is Academia.edu, which allows researchers and scholars to share their work with a global audience. Users can download PDF files of research papers, theses, and dissertations covering a wide range of subjects. Academia.edu also provides a platform for discussions and networking within the academic community. When it comes to downloading Chapter 22 Plant Diversity Guided Reading Answer Key free PDF files of magazines, brochures, and catalogs, Issuu is a popular choice. This digital publishing platform hosts a vast collection of publications from around the world. Users can search for specific titles or explore various categories and genres. Issuu offers a seamless reading experience with its user-friendly interface and allows users to download PDF files for offline reading. Apart from dedicated platforms, search engines also play a crucial role in finding free PDF files. Google, for instance, has an advanced search feature that allows users to filter results by file type. By specifying the file type as "PDF," users can find websites that offer free PDF downloads on a specific topic. While downloading Chapter 22 Plant Diversity Guided Reading Answer Key free PDF files is convenient, it's important to note that copyright laws must be respected. Always ensure that the PDF files you download are legally available for free. Many authors and publishers voluntarily provide free PDF versions of their work, but it's essential to be cautious and verify the authenticity of the source before downloading Chapter 22 Plant Diversity Guided Reading Answer Key. In conclusion, the internet offers numerous platforms and websites that allow users to download free PDF files legally. Whether it's classic literature, research papers, or magazines, there is something for everyone. The platforms mentioned in this article, such as Project Gutenberg, Open Library, Academia.edu, and Issuu, provide access to a vast collection of PDF files. However, users should always be cautious and verify the legality of the source before downloading Chapter 22 Plant Diversity Guided Reading Answer Key any PDF files. With these platforms, the world of PDF downloads is just a click away.

FAQs About Chapter 22 Plant Diversity Guided Reading Answer Key Books

How do I know which eBook platform is the best for me? Finding the best eBook platform depends on your reading preferences and device compatibility. Research different platforms, read user reviews, and explore their features before making a choice. Are free eBooks of good quality? Yes, many reputable platforms offer high-quality free eBooks, including classics and public domain works. However, make sure to verify the source to ensure the eBook credibility. Can I read eBooks without an eReader? Absolutely! Most eBook platforms offer web-based readers or mobile apps that allow you to read eBooks on your computer, tablet, or smartphone. How do I avoid digital eye strain while reading eBooks? To prevent digital eye strain, take regular breaks, adjust the font size and background color, and ensure proper lighting while reading eBooks. What the advantage of interactive eBooks? Interactive eBooks incorporate multimedia elements, quizzes, and activities, enhancing the reader engagement and providing a more immersive learning experience. Chapter 22 Plant Diversity Guided Reading Answer Key is one of the best book in our library for free trial. We provide copy of Chapter 22 Plant Diversity Guided Reading Answer Key in digital format, so the resources that you find are reliable. There are also many Ebooks of related with Chapter 22 Plant Diversity Guided Reading Answer Key. Where to download Chapter 22 Plant Diversity Guided Reading Answer Key online for free? Are you looking for Chapter 22 Plant Diversity Guided Reading Answer Key PDF? This is definitely going to save you time and cash in something you should think about.

Find Chapter 22 Plant Diversity Guided Reading Answer Key :

[massey ferguson forklift for sale](#)

mei easy fit

maurice durufle requiem

mazda tribute 2008

~~math answer book~~

mass percent of element in compound

mastoidectomy with tympanoplasty

[massage soap notes example](#)

mcdougal littell geometry textbook

medical terminology practice test free

meet the letters g

mega man 3 robot masters

medium level origami

medical transcription refresher course

mary cassatt japanese prints

Chapter 22 Plant Diversity Guided Reading Answer Key :

c era un vecchio gesuita furbaccione 100 10 parab uniport edu - Feb 09 2023

web jul 25 2023 c era un vecchio gesuita furbaccione 100 10 parab as recognized adventure as well as experience roughly lesson amusement as well as treaty can be

c era un vecchio gesuita furbaccione 100 10 parab pdf book - Oct 25 2021

web jun 14 2023 c era un vecchio gesuita furbaccione 100 10 parab pdf right here we have countless books c era un vecchio gesuita furbaccione 100 10 parab pdf and

c era un vecchio gesuita furbaccione 100 10 parab pdf - May 12 2023

web jun 26 2023 c era un vecchio gesuita furbaccione 100 10 parab pdf this is likewise one of the factors by obtaining the soft documents of this c era un vecchio gesuita

c era un vecchio gesuita furbaccione 100 10 parab uniport edu - Sep 04 2022

web aug 11 2023 c era un vecchio gesuita furbaccione 100 10 parab 1 2 downloaded from uniport edu ng on august 11 2023 by guest c era un vecchio gesuita furbaccione

c era una volta ungaretti parafrasi analisi e commento - Dec 27 2021

web appunto di letteratura riguardante la poesia c era una volta di giuseppe ungaretti testo parafrasi analisi del testo figure retoriche e commento c era una volta ungaretti

c era un vecchio gesuita furbaccione 100 10 parab pdf - Aug 03 2022

web may 7 2023 c era un vecchio gesuita furbaccione 100 10 parab pdf as recognized adventure as with ease as experience very nearly lesson amusement as capably as

c era un vecchio gesuita furbaccione 100 10 parab pdf pdf - Jun 13 2023

web jul 2 2023 c era un vecchio gesuita furbaccione 100 10 parab pdf c era un vecchio gesuita furbaccione 100 10 parab pdf is straightforward in our digital library

c era un vecchio gesuita furbaccione 100 10 parab pdf copy - Apr 11 2023

web jun 21 2023 c era un vecchio gesuita furbaccione 100 10 parab pdf c era un vecchio gesuita furbaccione 100 10 parab pdf is straightforward in our digital library

c era un vecchio gesuita furbaccione 100 10 parab pdf book - Jul 02 2022

web jun 17 2023 c era un vecchio gesuita furbaccione 100 10 parab pdf when somebody should go to the book stores search opening by shop shelf by shelf it is really

ungaretti giuseppe c era una volta commento skoola net - Apr 30 2022

web giuseppe ungaretti c era una volta testo quota centoquarantuno l 1 agosto 1916 bosco cappuccio ha un declivio di velluto verde come una dolce poltrona appisolarmi là

c era un vecchio gesuita furbaccione 100 10 parab book - Mar 10 2023

web as this c era un vecchio gesuita furbaccione 100 10 parab it ends taking place monster 100 10 parab pdf c era un vecchio gesuita furbaccione 100 10 parab pdf

c era un vecchio gesuita furbaccione 100 10 parab download - Jun 01 2022

web c era un vecchio gesuita furbaccione 100 10 parab spiritual friendship nov 22 2022 follows and completes aelred s earlier treatise on love the mirror of charity in it he

visita città vecchia scopri il meglio di città vecchia istambul nel - Jan 28 2022

web addentratevi nel misterioso gran bazar di istambul uno dei mercati coperti più grandi del mondo con il suo labirinto di corridoi su cui si aprono innumerevoli negozi colmi di

c era un vecchio gesuita furbaccione 100 10 parab uniport edu - Jul 14 2023

web c era un vecchio gesuita furbaccione 100 10 parab 1 8 downloaded from uniport edu ng on april 13 2023 by guest c era un vecchio gesuita furbaccione 100 10 webc

c era una volta di ungaretti studenti it - Mar 30 2022

web 1 2 c era una volta di ungaretti quota centoquarantuno l 1 agosto 1916 bosco cappuccio ha un declivio di velluto verde come una dolce poltrona appisolarmi là solo in un caffè

c era un vecchio gesuita furbaccione 100 10 parab uniport edu - Oct 05 2022

web mar 25 2023 era un vecchio gesuita furbaccione 100 10 parab but stop occurring in harmful downloads rather than enjoying a good book as soon as a cup of coffee in the

ungaretti giuseppe c era una volta skoola net - Feb 26 2022

web c era una volta ne l allegria di giuseppe ungaretti si alternano liriche dominate da una visione dolorosa della vita ad altre come questa in cui emerge una concezione più

c era un vecchio gesuita furbaccione 100 10 parabole di papa - Nov 06 2022

web jun 10 2023 c era un vecchio gesuita furbaccione 100 10 parabole di papa francesco ed paoline è l ultimo lavoro dei giornalisti luigi accattoli e ciro fusco in cui vengono

c era un vecchio gesuita furbaccione 100 10 parab pdf - Sep 23 2021

web c era un vecchio gesuita furbaccione 100 10 parab pdf c era un vecchio gesuita furbaccione 100 10 parab pdf web c era un vecchio gesuita furbaccione 100 10

[c era un vecchio gesuita furbaccione 100 10 parab pdf](#) - Jan 08 2023

web jul 2 2023 c era un vecchio gesuita furbaccione 100 10 parab pdf thank you for downloading c era un vecchio gesuita furbaccione 100 10 parab pdf maybe you

c era un vecchio gesuita furbaccione 100 10 parab pdf - Dec 07 2022

web apr 9 2023 c era un vecchio gesuita furbaccione 100 10 parab pdf web5 mar 2023 c era un vecchio gesuita furbaccione 100 10 parab as recognized

[c era un vecchio gesuita furbaccione 100 10 parab pdf book](#) - Aug 15 2023

web jul 13 2023 recognizing the artifice ways to get this books c era un vecchio gesuita furbaccione 100 10 parab pdf is additionally useful you have remained in right site to

[c era un vecchio gesuita furbaccione 100 10 parab uniport edu](#) - Nov 25 2021

web may 9 2023 c era un vecchio gesuita furbaccione 100 10 parab 1 8 downloaded from uniport edu ng on may 9 2023 by guest c era un vecchio gesuita furbaccione 100

pdf peachtree user guide oladipo adewumi - Oct 05 2022

web peachtree user guide oladipo adewumi if you purchased peachtree complete or higher you received an installation package that contains two cds if you purchased peachtree first accounting or peachtree pro accounting you received a

[peachtree tutorial training course teachucomp inc](#) - Apr 11 2023

web reinforce your peachtree training with the text of our two printable classroom instruction manuals introductory and advanced additional images and practice exercises you will learn how to set up a peachtree company file pay employees and vendors create custom reports reconcile your accounts use estimating time tracking and much more

peachtree accounting software tutorial pdfslide net - Sep 04 2022

web peachtree accounting software tutorial pdf free download here peachtree sample manual teachucomp inc teachucomp com samples pdfsamples peachtree pdf teachucomp inc advanced peachtree 3 welcome to teachucomp inc s advanced peachtree course

peachtree manual teachucomp inc - Jul 14 2023

web our complete peachtree training manuals delivered via digital download see sample manual topics covered getting acquainted with peachtree 1 the peachtree environment 2 the peachtree navigation centers 3 using the menu bar 4 using the main application toolbar 5 learning common business terms setting up a company 1

peachtree users manual pdf invoice cheque scribd - Nov 06 2022

web examples of client server networks compatible with peachtree include windows 2003 server and novell netware 5 1 or higher if you plan to use peachtree in a network environment you should consider the following beforehand 7 chapter 1 installing or upgrading peachtree peachtree first accounting and peachtree pro accounting

peachtree sample manual teachucomp inc pdf fileshare - Dec 27 2021

web 2 peachtree sample manual teachucomp inc 2021 05 20 peachtree sample manual teachucomp inc downloaded from fileshare electionintegrityforce com by guest hurley yu introduction to quickbooks john wiley sons your bookkeeping workflow will be smoother and faster with quickbooks 2012 for windows but only if you spend more time

peachtree manual teachucomp inc peachtree user guide - May 12 2023

web peachtree manual from teachucomp inc full classroom training manual with step by step instructions

peachtree sample manual teachucomp inc - Aug 15 2023

web introduction and overview welcome to teachucomp inc s advanced peachtree course this class expands the student s skills in using peachtree one of the most popular accounting and bookkeeping programs available today

peachtree 4 a presentation of teachucomp incorporated - Dec 07 2022

web teachucomp inc phone 877 925 web teachucomp sample for evaluation purposes only welcome to teachucomp inc s advanced peachtree course this class expands the student s skills in using peachtree one of the most popular accounting and bookkeeping programs available today this class is designed to give the student with basic

advanced teachucomp inc peachtree evaluation - Jun 13 2023

web phone 877 925 8080 web teachucomp com sample for evaluation purposes only teachucomp inc advanced peachtree 3 welcome to teachucomp inc s advanced peachtree course this class expands the student s skills in using peachtree one of the most popular accounting and bookkeeping programs available today

peachtree tutorial training course teachucomp inc peachtree - Feb 09 2023

web peachtree tutorial course from teachucomp inc received over 8 hours are peachtree practice video tutorials cpe continuing education credits

mastering peachtree made easy manuals only download - Jan 08 2023

web our complete peachtree training manuals delivered via digital download see sample manual topics covered getting acquainted with peachtree 1 the peachtree environment 2 the peachtree navigation centers 3 using the menu bar 4 using the main application toolbar 5 learning common business terms setting up a company 1 creating a

peachtree sample manual teachucomp inc pdf download - Jul 02 2022

web jun 14 2019 peachtree sample manual teachucomp inc github gist instantly share code notes and snippets

peachtree sample manual teachucomp inc download only - Jan 28 2022

web peachtree sample manual teachucomp inc book review unveiling the power of words in a global driven by information and connectivity the energy of words has become more evident than ever they have the capability to inspire provoke and ignite change such is the essence of the book peachtree sample manual teachucomp inc a literary

peachtree sample manual teachucomp inc pdf - Apr 30 2022

web peachtree sample manual teachucomp inc downloaded from sql gocohospitality com by guest taliyah alvaro quickbooks 2022 all in one for dummies o reilly media inc workbook for the small business manager explaining the basics of bookkeeping chapters covering topics such as using business records creating a cashbook system and

peachtree sample manual teachucomp inc docdatabase net - Mar 10 2023

web you can view this peachtree sample manual teachucomp inc pdf file on our website or you can download it as well peachtree sample manual teachucomp inc pdf view and downloadable pdf file about peachtree sample manual teachucomp inc pdf selected and prepared for you by browsing on search engines

peachtree complete instructions pdf slideshare - Jun 01 2022

web dec 6 2015 select setup type click on standard select location program c peachtree data c peachtree click next 3 accounting folder peachtree accounting click next 4 thank you screen on top copying program files on bottom 5 set up complete screen put a check b yes i would like to start peachtree acctg 6

peachtree sample manual teachucomp inc - Mar 30 2022

web peachtree sample manual teachucomp inc is friendly in our digital library an online permission to it is set as public hence you can download it instantly our digital library saves in combined countries allowing you to get the most less latency era to download any of our books when this one merely said the peachtree sample manual teachucomp

peachtree sample manual teachucomp inc issuu - Aug 03 2022

web jul 14 2017 read peachtree sample manual teachucomp inc by thomaskohlmeier2906 on issuu and browse thousands of other publications on our platform start here

peachtree sample manual teachucomp inc - Feb 26 2022

web jan 4 2023 4728788 peachtree sample manual teachucomp inc 1 4 downloaded from knockinc com on by guest peachtree sample manual teachucomp inc getting the books peachtree sample manual teachucomp inc now is not type of inspiring means you could not only going later than books hoard or library or borrowing from your

mein erster dienst anästhesie includes digital download fink - Sep 20 2023

web mein erster dienst anästhesie includes digital download fink tobias kiefer daniel lorenz dominik amazon sg books

mein erster dienst anästhesie springer - Aug 07 2022

web 16 1 abdominalchirurgie 299 16 monitoring basismonitoring wärmemanagement groß lumige zugänge ggf erweitertes

hämodynamisches monitoring je nach gröÙe und dauer des operativen eingriffs

mein erster dienst anästhesie semantic scholar - Nov 10 2022

web mein erster dienst anästhesie inproceedings fink2017meined title mein erster dienst anästhesie author tobias fink and d kiefer and dominik lorenz year 2017 t fink d kiefer d lorenz published 2017

mein erster dienst anästhesie 9783662535943 - Jul 06 2022

web mein erster dienst anästhesie verfasst von tobias fink daniel kiefer dominik lorenz und veröffentlicht von springer die digital und etextbook isbn für mein erster dienst anästhesie lauten 9783662535950 3662535955 und die druck isbn lauten 9783662535943 3662535947

mein erster dienst anästhesie request pdf researchgate - Dec 11 2022

web jan 1 2017 im ersten teil dieses kapitels werden neben allgemeinen handlungsstrategien in akutsituationen die atemwegssicherung die kardiopulmonale reanimation und die relevantesten krankheitsbilder in

mein erster dienst anästhesie by tobias fink overdrive - Feb 13 2023

web apr 20 2017 mein erster dienst anästhesie ebook by tobias fink read a sample sign up to save your library with an overdrive account you can save your favorite libraries for at a glance information about availability find out more about overdrive accounts save not today format ebook isbn 9783662535943 author tobias

mein erster dienst anästhesie 9783662535943 - Mar 14 2023

web mein erster dienst anästhesie is written by tobias fink daniel kiefer dominik lorenz and published by springer the digital and etextbook isbn for mein erster dienst anästhesie are 9783662535950 3662535955 and the print isbn are 9783662535943 3662535947 save up to 80 versus print by going digital with vitalsource

mein erster dienst anästhesie request pdf researchgate - Jan 12 2023

web jan 1 2022 mein erster dienst anästhesie january 2022 doi 10 1007 978 3 662 64431 7 isbn 978 3 662 64430 0 authors tobias fink universität des saarlandes daniel kiefer universitätsklinikum des

mein erster dienst anästhesie springer - Apr 15 2023

web im dienst die aufklärung ist ein hauptbestandteil des behandlungs vertrages zwischen arzt und patient der patient muss rechtzeitig wissen was mit ihm mit welchen mitteln und mit welchen risiken und folgen geschehen soll und welche alternativen zur verfügung stehen bestandteile der aufklärung sind

mein erster dienst anästhesie anästhesie amazon de - Sep 08 2022

web mein erster dienst anästhesie anästhesie includes digital download fink tobias kiefer daniel isbn 9783662644300 kostenloser versand für alle bücher mit versand und verkauf durch amazon

mein erster dienst anästhesie von tobias fink buch 978 3 - Apr 03 2022

web 1 dienstmodelle und organisation im dienst 2 mein team und ich tipps zum crew resource management crm 3 rechtliche aspekte 4 grundlagen und anästhesiologisches werkzeug 5 narkosemonitoring und erweiterte maßnahmen 6 beatmung 7 medikamente die wichtigsten für den dienst 8 infusionstherapie 9

mein erster dienst anästhesie springerlink - Aug 19 2023

web sep 1 2022 authors tobias fink daniel kiefer angstfrei vor und im ersten dienst so behalten sie die nerven tipps tricks und präzise informationen für die richtige und rasche entscheidungsfindung in notfällen prägnant übersichtlich und

mein erster dienst anästhesie springer - Jul 18 2023

web mein erster dienst kennt nicht jeder das unbehagen wenn der erste dienst näher rückt mit diesem buch möch ten wir dem berufsanfänger aber auch dem bereits erfah renen einen täglichen begleiter an die hand geben mit dem er sich im alltag und in notfallsituationen besser zurechtfinden kann hierzu liefern wir klare und präzise

mein erster dienst anästhesie springer - Oct 09 2022

web fänger helfen komplikationen im dienst zu erkennen und diese durch rasches und besonnenes handeln zu beseitigen zu den wichtigsten perioperativen komplikationen gehören störungen der atmung des herz kreislauf systems sowie anaphylaktoide und anaphylaktische reaktionen bei allen zwischenfällen und komplikationen sollte

mein erster dienst anästhesie springermedizin de - Jun 17 2023

web jul 7 2023 mit diesem buch für die kitteltasche behalten weiterbildungsassistenten die nerven vor und während ihres ersten dienstes präzise beantwortet ihnen mein erster dienst anästhesie springermedizin de

mein erster dienst anästhesie springerlink - Oct 21 2023

web tobias fink daniel kiefer dominik lorenz angstfrei vor und im ersten dienst so behalten sie die nerven tipps tricks und präzise informationen für die richtige und rasche entscheidungsfindung in notfällen prägnant übersichtlich und ebook inklusive ideal für kitteltasche oder smartphone 111k accesses

mein erster dienst anästhesie on apple books - Jun 05 2022

web apr 20 2017 ruhe bewahren im ersten dienst mit diesem buch in der kitteltasche oder als ebook auf dem smartphone behalten sie die nerven vor und während ihres ersten dienstes präzise beantwortet ihnen dieser leitfaden alle wichtigen fragen die sie sich vor ihrem ersten einsatz stellen u a wann muss ic

9783662644300 mein erster dienst anästhesie anästhesie - May 04 2022

web mein erster dienst anästhesie anästhesie includes digital download von fink tobias kiefer daniel beim zvb com isbn 10 3662644304 isbn 13 9783662644300 springer verlag gmbh 2022 softcover

mein erster dienst anästhesie springer - May 16 2023

web mein erster dienst anästhesie mit 13 abbildungen 123 isbn 978 3 662 53594 3 978 3 662 53595 0 ebook doi 10 1007 978

3 662 53595 0 die deutsche nationalbibliothek verzeichnet diese publikation in der deutschen nationalbibliografie detaillierte bibliografische daten sind im

mein erster dienst anästhesie tobias fink daniel kiefer - Mar 02 2022

web mit diesem buch für die kitteltasche oder als ebook auf dem smartphone behalten sie die nerven vor und während ihres ersten dienstes präzise beantwortet ihnen dieser leitfaden alle wichtigen