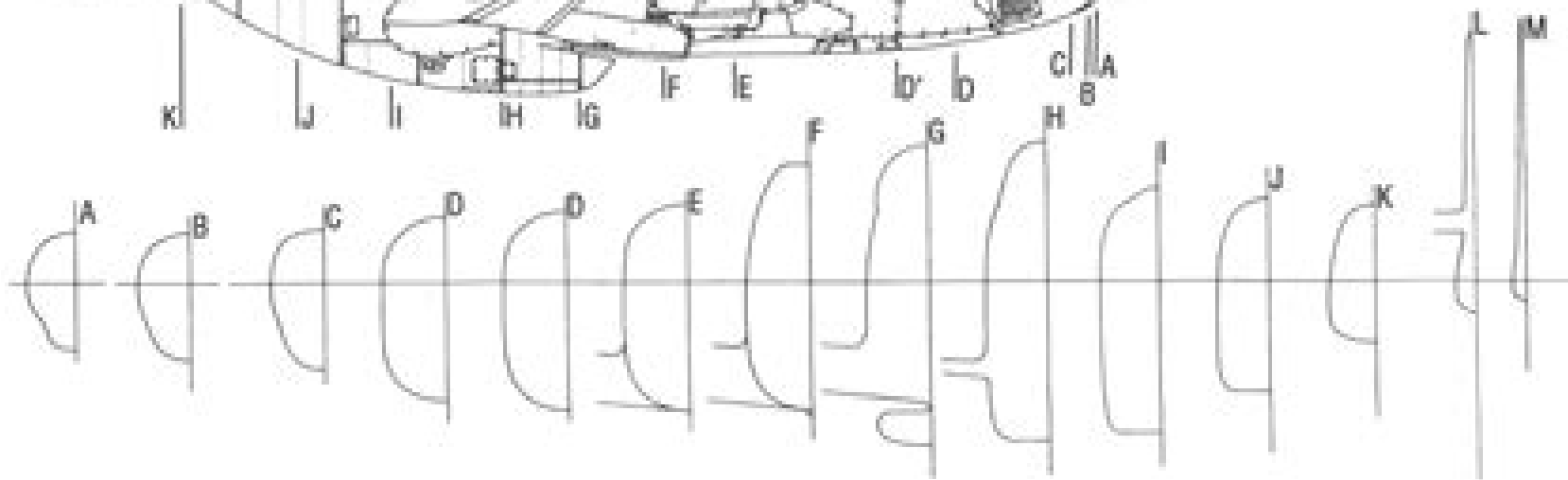
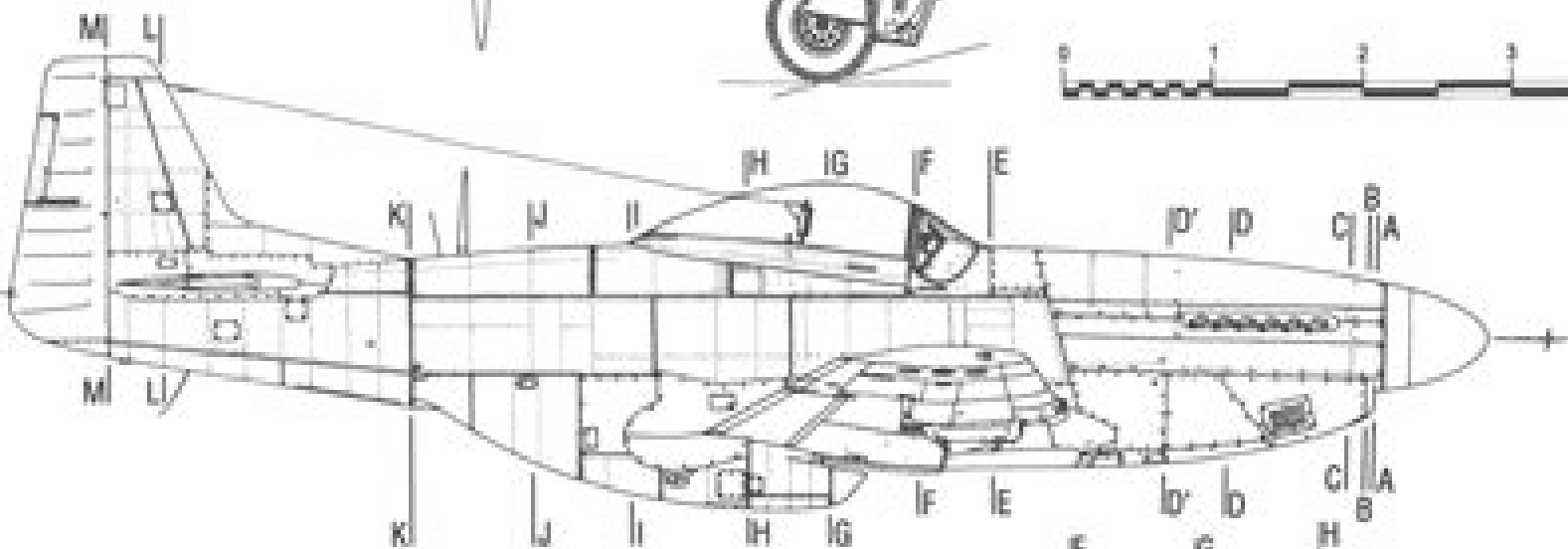


Р-51D-15-NA с винтом Гамильтон Стандарт
диаметром 3,4 м



P 51 Mustang Engineering Drawings

Air Age Inc



P 51 Mustang Engineering Drawings

Mustang Designer Ray Wagner,2014-12-02 Mustang Designer tells the story of American wartime fighter development including engines and armaments as part of a nationwide program of aircraft builders and fliers focusing on Edgar Schmued the designer of the Mustang The P 51 Mustang is widely regarded as the best propeller driven fighter that ever flew What many might not realize is that the plane s developer was a German migrant This book tells of how Schmued created a weapon that would ultimately prove lethal to the aspirations of those who had seized control over his native land

P-51 Mustang Nose Art Gallery John M. Campbell,Donna Campbell,1994 P 51 Mustang Nose Art Gallery Campbell and Campbell From Varga girls to Walt Disney cartoons to names of hometowns and sweethearts this unique collection of photographs from WWII and Korea is sure to delight all P 51 buffs pilots ground crews modelers and nose art enthusiasts Sftbd 9x 1 1 2 96 pgs 326 bandw 2 color ill

North American P-51 Mustang Mariusz Lukasik,2017-04-03 Aircraft described as flying wing have aroused interest of the designers since the early pioneer years of aviation This definition is used to describe aircraft with specific design solutions allowing for resignation from conventional vertical and horizontal empennage and primarily from conventional fuselage Virtually the whole airframe comprises only the wing housing both the cockpit and powerplant A sugroup of flying wings are tailless aircraft differing from the traditional designs only in lack of horizontal empennage 18

North American P-51D Mustang Robert Pęczkowski,2017-01-05 This detailed monograph covers the design and development of the P 51D Mustang family the main wartime production variant of this classic fighter The P 51D model introduced the definitive bubble canopy and heavier armament and was the mount of many aces After W W II the Mustang saw action again in Korea and also served with many other air forces around the world This book contains o Comprehensive technical details of the American built P 51D P 51K and the Australian CAC Mustangs o Numerous specially selected original NAA technical photographs o Production and service photos o A wide range of color profiles o Rare color photographs from W W II o Detailed photographs featuring modern highly accurate restorations inside and out and including under rebuild and servicing details o Full plans in 1 72 scale Profusely illustrated with photos including a comprehensive walk around section showing all aspects of the airframe and diagrams from official manuals This book provides all the core technical details of the P 51D family in one compact economical volume Essential reading for aviation enthusiasts scale aeromodellers 1 72 scale plans of all versions 30 color profiles Second edition of the North American P 51D Mustang ISBN 978 83 89450 60 9

Construction of Tubular Steel Fuselages David Russo,2005

North American P-51 Mustang Jarrod Cotter,2016-05-05 The North American P 51 Mustang holds an important place in US aviation history as its finest fighter aircraft of all time During the Second World War it was the only Allied fighter capable of flying to Berlin and back from Britain without refueling Read about the Mustang s illustrious combat history and take a close up look at how it is constructed Discover what it takes to own and fly this classic fighter and find out how engineers keep it airworthy Centrepieces of this manual are co author Maurice Hammond s Second World War vintage Merlin engine P 51Ds Janie and Marinell

North American P-51 Mustang R. M. Clarke,1987-06-12 One of a series comprising technical descriptions cutaway drawings genealogy combat and operational reports from contemporary articles from Flight The Aeroplane and Aircraft Production with modern material from Aeroplane Monthly

North American P-51 "Mustang" Air Age Inc,1958

P-51 Mustang Paul A. Ludwig,2003 Not just another book on the P 51 Mustang this detailed and controversial book forms an investigative analysis into the often and little known troubled design and development history of America s premier piston engined fighter aircraft Supported by hundreds of rare photos and superb color artwork author Paul Ludwig weaves a carefully crafted story

Me 262 vs P-51 Mustang Robert Forsyth,2019-12-26 Arguably two of the finest fighters built during the course of World War II the Me 262 and P 51 Mustang heralded new dawns in aircraft performance Making its operational debut in the summer of 1944 and powered by the Jumo 004 jet engine the Me 262 outclassed Allied planes in terms of speed and firepower ratio offering a formidable punch with four 30 mm MK 108 nose mounted cannons However in the P 51 fitted with the Rolls Royce Packard Merlin engine and drop tanks the USAAF finally had a fighter that had the legs to escort its heavy bombers deep into Reich airspace and back If flown to its strengths the P 51 was more than capable of taking on the feared Me 262 on an equal footing despite the differences in power and top speed Indeed the Mustang proved to be the Luftwaffe fighter arm s nemesis When the P 51D sortied over Germany from the summer of 1944 onwards it shredded through the ill trained and depleted Gruppen of the Luftwaffe s defence wings This book examines the two fighters in detail exploring their history and development and containing accurate descriptions of the combats between the P 51 Mustang and the Me 262 in what were some of the most bitter and large scale aerial actions fought over Europe in 1944 45

North American P-51 Mustang Frederick A. Johnsen,1996 The Warbird Tech Series provides layman s technical analysis and reviews of the world s most exciting combat aircraft Included are photographs drawings and

Naa P-51d-10-Na Mustang ,2019-08-19 This book is compilations of the 4 view color profile scale plans and photo details of the single variant of the NAA P 51D 10 NA Scale plans in 1 72 and 1 48 scales plus drawings from wartime technical manuals Also photos of the details in B W and color

Mustang Aces of the Eighth Air Force Jerry Scutts,2012-11-20 Unquestionably the best American fighter of World War 2 the North American P 51 Mustang served in large numbers with the USAAF s Eighth Air Force from late 1943 until VE Day and was the mount of most aces in theatre Charged with the responsibility of escorting huge formations of B 17 Flying Fortress and B 24 Liberator bombers on daylight raids deep into Germany the P 51 pilots of the various fighter groups within the Mighty Eighth went head to head with the cream of the Luftwaffe s fighter squadrons for control of the skies over the Third Reich Aircraft of the Aces 1 19 and 24 are also available in a single volume as Aces of the Mighty Eighth

P-51B/C Mustang Chris Bucholtz,2022-02-17 This new volume straps the reader into the cockpit of the P 51B C as the Mustang equipped fighter groups of the Mighty Eighth Air Force attempt to defend massed heavy bomber formations from deadly Luftwaffe fighters charged with defending the Third Reich Luftwaffe Reichsmarschall Hermann G ring admitted that the appearance of long range Mustangs over Berlin spelled the end of the Jagdwaffe s ability to defeat American daylight bombing But the Mustang was far more than an escort it was a deadly hunter that could out perform nearly every German fighter when it was introduced into combat Entering combat in Europe in December 1943 P 51Bs and P 51Cs had advantages over German Bf 109s and Fw 190s in respect to the altitude they could reach their rate of climb and top speed Initially tapped for close bomber escort Mustangs were quickly turned loose to range ahead of the bomber stream in order to challenge German fighters before they could assemble to engage the bombers en masse Thanks to the Mustang s superior performance USAAF pilots effectively blunted the Luftwaffe s tried and tested tactic for destroying B 17s and B 24s Boldness and aggression in aerial combat meant that P 51B C pilots inflicted a rapidly mounting toll on their German counterparts in the West during the early months of 1944 contributing mightily to Allied air superiority over northern France on D Day This volume packed full of first hand accounts expertly recreates the combat conditions and flying realities for Mustang pilots including headline aces such as Don Blakeslee and Don Gentile as well as lesser known aviators It is heavily illustrated with photographs artwork and innovative and colourful 3D ribbon diagrams which will provide a realistic overview of the most dynamic dogfights in aviation history

P-51B Mustang James William "Bill" Marshall,Lowell F. Ford,2020-07-09 During World War II the United States Army Air Corps was led by a cadre of officers who believed implicitly that military aviation particularly fast heavy bombers at high altitude would be able to destroy strategic enemy targets during daylight with minimal losses However by 1942 the Flying Fortress was proving vulnerable to Luftwaffe fighters This title charts the United States Army Air Force s struggle to develop a Long Range Escort which would enable them to achieve the Combined Bomber Objectives and gain mastery of the skies over the Third Reich The commitment of the USAAF to the Mediterranean and European theatres saw an increasingly desperate need to find a fighter escort which reached crisis point in 1943 as losses suffered in the Tidal Wave offensive and Schweinfurt Regensburg Munster raids emphasised the mounting strength of the Luftwaffe The USAAF leaders increasingly accepted the probability of bomber losses and the deployment of the P 51B Mustang solved the problem of Germany s layered defence strategy as Luftwaffe fighters had been avoiding the P 47 Thunderbolt and P 38 Lightning escort fighters by concentrating their attacks beyond the range of the Thunderbolt and Lightning The P 51B duly emerged as the The Bastard Stepchild that the USAAF Material Division did not want becoming the key Long Range Escort fighter alongside the P 38 and P 47 that defeated the Luftwaffe prior to D Day As well as the P 51B s history this title explores the technical improvements made to each of these fighters as well as the operational leadership and technical development of the Luftwaffe they fought against

P-51B Mustang James William "Bill" Marshall, Lowell F. Ford, 2020-07-09 During World War II the United States Army Air Corps was led by a cadre of officers who believed implicitly that military aviation particularly fast heavy bombers at high altitude would be able to destroy strategic enemy targets during daylight with minimal losses However by 1942 the Flying Fortress was proving vulnerable to Luftwaffe fighters This title charts the United States Army Air Force s struggle to develop a Long Range Escort which would enable them to achieve the Combined Bomber Objectives and gain mastery of the skies over the Third Reich The commitment of the USAAF to the Mediterranean and European theatres saw an increasingly desperate need to find a fighter escort which reached crisis point in 1943 as losses suffered in the Tidal Wave offensive and Schweinfurt Regensburg Munster raids emphasised the mounting strength of the Luftwaffe The USAAF leaders increasingly accepted the probability of bomber losses and the deployment of the P 51B Mustang solved the problem of Germany s layered defence strategy as Luftwaffe fighters had been avoiding the P 47 Thunderbolt and P 38 Lightning escort fighters by concentrating their attacks beyond the range of the Thunderbolt and Lightning The P 51B duly emerged as the The Bastard Stepchild that the USAAF Material Division did not want becoming the key Long Range Escort fighter alongside the P 38 and P 47 that defeated the Luftwaffe prior to D Day As well as the P 51B s history this title explores the technical improvements made to each of these fighters as well as the operational leadership and technical development of the Luftwaffe they fought against

To Fly and Fight Clarence E. "Bud" Anderson, 2017-05-12 Bud Anderson is a flyers flyer The Californians enduring love of flying began in the 1920s with the planes that flew over his fathers farm In January 1942 he entered the Army Air Corps Aviation Cadet Program Later after he received his wings and flew P 39s he was chosen as one of the original flight leaders of the new 357th Fighter Group Equipped with the new and deadly P 51 Mustang the group shot down five enemy aircraft for each one it lost while escorting bombers to targets deep inside Germany But the price was high Half of its pilots were killed or imprisoned including some of Buds closest friends In February 1944 Bud Anderson entered the uncertain exhilarating and deadly world of aerial combat He flew two tours of combat against the Luftwaffe in less than a year In battles sometimes involving hundreds of airplanes he ranked among the groups leading aces with 16 aerial victories He flew 116 missions in his old crow without ever being hit by enemy aircraft or turning back for any reason despite one life or death confrontation after another His friend Chuck Yeager who flew with Anderson in the 357th says In an airplane the guy was a mongoosethe best fighter pilot I ever saw Buds years as a test pilot were at least as risky In one bizarre experiment he repeatedly linked up in midair with a B 29 bomber wingtip to wingtip In other tests he flew a jet fighter that was launched and retrieved from a giant B 36 bomber As in combat he lost many friends flying tests such as these Bud commanded a squadron of F 86 jet fighters in postwar Korea and a wing of F 105s on Okinawa during the mid 1960s In 1970 at age 48 he flew combat strikes as a wing commander against communist supply lines To Fly and Fight is about flying plain and simple the joys and dangers and the very special skills it demands Touching thoughtful and dead honest it is the story of a boy who grew up living his dream

Mustang Steve Pace, 2017-01-20 This book covers the P F 51 Mustang and each of its many variants and spin offs including the A 36 Apache F 6 Photo Mustang F 82 Twin Mustang and others It discusses the Mustangs used by all US allies and friends in many foreign air forces Also it adds to the story of its creation through the wise choices made by the British government and its Royal Air Force especially the transition from its original Alison V 12 to the wizard like Rolls Royce V 12 called the Merlin The book will be profusely illustrated with high quality mono and colour images many of which have not been published before and features beautifully drawn profiles and numerous appendices It also features numerous first hand accounts of the Mustang in battle during World War 2 the Korean War and other conflicts The Mustang was employed by more than 55 nations during its military lifetime and this book is a definitive work on this fabulous war horse

North American P-51 Mustang Graham Smith,1990-05 This detailed account charts the history development and operational career of the North American P 51 Mustang complete with over 90 photographs full color artworks performance table and technical diagrams Page 4 of cover

Modelling the P-51 Mustang Stan Spooner,2007-08-21 The North American P 51 Mustang had a humble genesis as a British request for single engine escort fighter The projects in the book take the modeller from the aircraft s beginnings to the ultimate manifestation of this elegant and deadly bird the F 82 G H Twin Mustang The North American P 51 Mustang had a humble genesis as a British request for single engine escort fighter Dutch Kindelberger s North American design team created in just six months a prototype that would become arguably World War II s most important fighter aircraft The aircraft was designed around the innovative laminar flow wing which resulted in a much more efficient flow of air across the top of the wing thereby reducing drag and increasing range Modelling is the perfect format to appreciate this revolutionary design feature which created a highly maneuverable plane with excellent range This book pays attention to the crucial details and methods needed to model the Mustang at differing skill levels and with unique finishing tips and styles showing the benefits of scratch built components all illustrated in a clear concise and easy to use manner

Discover tales of courage and bravery in its empowering ebook, **Stories of Fearlessness: P 51 Mustang Engineering Drawings** . In a downloadable PDF format (PDF Size: *), this collection inspires and motivates. Download now to witness the indomitable spirit of those who dared to be brave.

https://offsite.creighton.edu/data/Resources/Documents/gilded_age_webquest.pdf

https://offsite.creighton.edu/data/Resources/Documents/gods_chaos_candidate.pdf

<https://offsite.creighton.edu/data/Resources/Documents/God%20Of%20War%20Traveler.pdf>

Table of Contents P 51 Mustang Engineering Drawings

1. Understanding the eBook P 51 Mustang Engineering Drawings
 - The Rise of Digital Reading P 51 Mustang Engineering Drawings
 - Advantages of eBooks Over Traditional Books
2. Identifying P 51 Mustang Engineering Drawings
 - Exploring Different Genres
 - Considering Fiction vs. Non-Fiction
 - Determining Your Reading Goals
3. Choosing the Right eBook Platform
 - Popular eBook Platforms
 - Features to Look for in an P 51 Mustang Engineering Drawings
 - User-Friendly Interface
4. Exploring eBook Recommendations from P 51 Mustang Engineering Drawings
 - Personalized Recommendations
 - P 51 Mustang Engineering Drawings User Reviews and Ratings
 - P 51 Mustang Engineering Drawings and Bestseller Lists
5. Accessing P 51 Mustang Engineering Drawings Free and Paid eBooks
 - P 51 Mustang Engineering Drawings Public Domain eBooks
 - P 51 Mustang Engineering Drawings eBook Subscription Services
 - P 51 Mustang Engineering Drawings Budget-Friendly Options
6. Navigating P 51 Mustang Engineering Drawings eBook Formats

- ePub, PDF, MOBI, and More
 - P 51 Mustang Engineering Drawings Compatibility with Devices
 - P 51 Mustang Engineering Drawings Enhanced eBook Features
7. Enhancing Your Reading Experience
 - Adjustable Fonts and Text Sizes of P 51 Mustang Engineering Drawings
 - Highlighting and Note-Taking P 51 Mustang Engineering Drawings
 - Interactive Elements P 51 Mustang Engineering Drawings
 8. Staying Engaged with P 51 Mustang Engineering Drawings
 - Joining Online Reading Communities
 - Participating in Virtual Book Clubs
 - Following Authors and Publishers P 51 Mustang Engineering Drawings
 9. Balancing eBooks and Physical Books P 51 Mustang Engineering Drawings
 - Benefits of a Digital Library
 - Creating a Diverse Reading Collection P 51 Mustang Engineering Drawings
 10. Overcoming Reading Challenges
 - Dealing with Digital Eye Strain
 - Minimizing Distractions
 - Managing Screen Time
 11. Cultivating a Reading Routine P 51 Mustang Engineering Drawings
 - Setting Reading Goals P 51 Mustang Engineering Drawings
 - Carving Out Dedicated Reading Time
 12. Sourcing Reliable Information of P 51 Mustang Engineering Drawings
 - Fact-Checking eBook Content of P 51 Mustang Engineering Drawings
 - Distinguishing Credible Sources
 13. Promoting Lifelong Learning
 - Utilizing eBooks for Skill Development
 - Exploring Educational eBooks
 14. Embracing eBook Trends
 - Integration of Multimedia Elements
 - Interactive and Gamified eBooks

P 51 Mustang Engineering Drawings Introduction

In this digital age, the convenience of accessing information at our fingertips has become a necessity. Whether its research papers, eBooks, or user manuals, PDF files have become the preferred format for sharing and reading documents. However, the cost associated with purchasing PDF files can sometimes be a barrier for many individuals and organizations. Thankfully, there are numerous websites and platforms that allow users to download free PDF files legally. In this article, we will explore some of the best platforms to download free PDFs. One of the most popular platforms to download free PDF files is Project Gutenberg. This online library offers over 60,000 free eBooks that are in the public domain. From classic literature to historical documents, Project Gutenberg provides a wide range of PDF files that can be downloaded and enjoyed on various devices. The website is user-friendly and allows users to search for specific titles or browse through different categories. Another reliable platform for downloading P 51 Mustang Engineering Drawings free PDF files is Open Library. With its vast collection of over 1 million eBooks, Open Library has something for every reader. The website offers a seamless experience by providing options to borrow or download PDF files. Users simply need to create a free account to access this treasure trove of knowledge. Open Library also allows users to contribute by uploading and sharing their own PDF files, making it a collaborative platform for book enthusiasts. For those interested in academic resources, there are websites dedicated to providing free PDFs of research papers and scientific articles. One such website is Academia.edu, which allows researchers and scholars to share their work with a global audience. Users can download PDF files of research papers, theses, and dissertations covering a wide range of subjects. Academia.edu also provides a platform for discussions and networking within the academic community. When it comes to downloading P 51 Mustang Engineering Drawings free PDF files of magazines, brochures, and catalogs, Issuu is a popular choice. This digital publishing platform hosts a vast collection of publications from around the world. Users can search for specific titles or explore various categories and genres. Issuu offers a seamless reading experience with its user-friendly interface and allows users to download PDF files for offline reading. Apart from dedicated platforms, search engines also play a crucial role in finding free PDF files. Google, for instance, has an advanced search feature that allows users to filter results by file type. By specifying the file type as "PDF," users can find websites that offer free PDF downloads on a specific topic. While downloading P 51 Mustang Engineering Drawings free PDF files is convenient, its important to note that copyright laws must be respected. Always ensure that the PDF files you download are legally available for free. Many authors and publishers voluntarily provide free PDF versions of their work, but its essential to be cautious and verify the authenticity of the source before downloading P 51 Mustang Engineering Drawings. In conclusion, the internet offers numerous platforms and websites that allow users to download free PDF files legally. Whether its classic literature, research papers, or magazines, there is something for everyone. The platforms mentioned in this article, such as Project Gutenberg, Open Library, Academia.edu, and Issuu, provide access to a vast collection of PDF files. However, users

should always be cautious and verify the legality of the source before downloading P 51 Mustang Engineering Drawings any PDF files. With these platforms, the world of PDF downloads is just a click away.

FAQs About P 51 Mustang Engineering Drawings Books

How do I know which eBook platform is the best for me? Finding the best eBook platform depends on your reading preferences and device compatibility. Research different platforms, read user reviews, and explore their features before making a choice. Are free eBooks of good quality? Yes, many reputable platforms offer high-quality free eBooks, including classics and public domain works. However, make sure to verify the source to ensure the eBook credibility. Can I read eBooks without an eReader? Absolutely! Most eBook platforms offer webbased readers or mobile apps that allow you to read eBooks on your computer, tablet, or smartphone. How do I avoid digital eye strain while reading eBooks? To prevent digital eye strain, take regular breaks, adjust the font size and background color, and ensure proper lighting while reading eBooks. What the advantage of interactive eBooks? Interactive eBooks incorporate multimedia elements, quizzes, and activities, enhancing the reader engagement and providing a more immersive learning experience. P 51 Mustang Engineering Drawings is one of the best book in our library for free trial. We provide copy of P 51 Mustang Engineering Drawings in digital format, so the resources that you find are reliable. There are also many Ebooks of related with P 51 Mustang Engineering Drawings. Where to download P 51 Mustang Engineering Drawings online for free? Are you looking for P 51 Mustang Engineering Drawings PDF? This is definitely going to save you time and cash in something you should think about. If you trying to find then search around for online. Without a doubt there are numerous these available and many of them have the freedom. However without doubt you receive whatever you purchase. An alternate way to get ideas is always to check another P 51 Mustang Engineering Drawings. This method for see exactly what may be included and adopt these ideas to your book. This site will almost certainly help you save time and effort, money and stress. If you are looking for free books then you really should consider finding to assist you try this. Several of P 51 Mustang Engineering Drawings are for sale to free while some are payable. If you arent sure if the books you would like to download works with for usage along with your computer, it is possible to download free trials. The free guides make it easy for someone to free access online library for download books to your device. You can get free download on free trial for lots of books categories. Our library is the biggest of these that have literally hundreds of thousands of different products categories represented. You will also see that there are specific sites catered to different product types or categories, brands or niches related with P 51 Mustang Engineering Drawings. So depending on what exactly you are searching, you will be able to choose e books to suit your own need. Need to access completely for Campbell Biology Seventh Edition book? Access Ebook without any digging. And by having access to

our ebook online or by storing it on your computer, you have convenient answers with P 51 Mustang Engineering Drawings To get started finding P 51 Mustang Engineering Drawings, you are right to find our website which has a comprehensive collection of books online. Our library is the biggest of these that have literally hundreds of thousands of different products represented. You will also see that there are specific sites catered to different categories or niches related with P 51 Mustang Engineering Drawings So depending on what exactly you are searching, you will be able to choose ebook to suit your own need. Thank you for reading P 51 Mustang Engineering Drawings. Maybe you have knowledge that, people have search numerous times for their favorite readings like this P 51 Mustang Engineering Drawings, but end up in harmful downloads. Rather than reading a good book with a cup of coffee in the afternoon, instead they juggled with some harmful bugs inside their laptop. P 51 Mustang Engineering Drawings is available in our book collection an online access to it is set as public so you can download it instantly. Our digital library spans in multiple locations, allowing you to get the most less latency time to download any of our books like this one. Merely said, P 51 Mustang Engineering Drawings is universally compatible with any devices to read.

Find P 51 Mustang Engineering Drawings :

[gilded age webquest](#)

god's chaos candidate

god of war traveler

[gizmos orbital motion answer key](#)

[gambit of emotions](#)

~~[go dog go christmas](#)~~

[geometry packet answers](#)

gace passing score special education

[general manager resume examples 2022](#)

geometry trig word problems worksheet answers

gnostic books of the bible

~~[gas laws lab 12 answers](#)~~

[give a mouse a cookie halloween](#)

[generac generator installation manual](#)

[geometry regents test](#)

P 51 Mustang Engineering Drawings :

[trotro araba sürüyor yeni bÖlÜm türkçe İzlesene com](#) - Dec 07 2022

web jul 31 2015 Çizgi film ziyaretçi facebook ta paylaş bildir yüklenme tarihi 31 temmuz 2015 22 39 trotro araba sürüyor yeni bÖlÜm türkçe trotro yeni trotro İzle

l âne trotro l heure de trotro bénédicte guettier fnac - Apr 11 2023

web l âne trotro l heure de trotro bénédicte guettier gallimard jeunesse des milliers de livres avec la livraison chez vous en 1 jour ou en magasin avec 5 de réduction l âne trotro l heure de trotro bénédicte guettier cartonné achat livre fnac

prime video trotro season 1 - Jun 01 2022

web apr 22 2004 season 1 l âne trotro est un petit âne gris qui adore jouer dans les flaques d eau espiègle et enthousiaste il voit toujours le bon côté des choses et ne manque jamais une occasion de s amuser il n est pas très ordonné mais il a beaucoup d imagination 2004 26 episodes all kids this video is currently unavailable to watch in your location

trotro trotro nun banyosu trotro türkçe Çizgi film izle trotro - Jan 08 2023

web dec 21 2014 watch trotro trotro nun banyosu trotro türkçe Çizgi film izle trotro trt Çocuk animated cartoon on dailymotion

l heure de trotro libro del 2005 escrito por benedicte guettier - Mar 30 2022

web jun 21 2005 l heure de trotro es una libro escrito por benedicte guettier descubre todos los libros de libros infantil infantil 10 a 12 años literatura 10 a 12 años en la vanguardia

trotro 3 heures compilation 01 youtube - Jul 14 2023

web apr 8 2016 abonnez vous à la chaîne youtube de trotro bit ly 3mres94 trotro trotrofrançais trotrofr lanetrotrobienvenue sur la chaîne officielle de trotro

trotro alışverişe gidiyor Çizgi film İzle İzlesene com - Feb 09 2023

web jan 13 2015 yüklenme tarihi 13 ocak 2015 17 46 sevimli palyaço trotro alışverişe gidiyor ve bakın başına neler geliyor hep birlikte izleyelim sevimli çizgi karakteri

1 heure de trotro trotro a beaucoup de jouets marrants youtube - Aug 15 2023

web trotro 1 heure compilation 01 a trotro officiel

[1 heure de trotro trotro adore jouer youtube](#) - Apr 30 2022

web about press copyright contact us creators advertise developers terms privacy policy safety how youtube works test new features press copyright contact us creators

trotro episodes de la saison 1 allociné - Aug 03 2022

web trotro fait la sieste c est l heure de la sieste mais trotro ne veut pas dormir et préfère jouer en cachette avec nounours

[trotro trotro le charo une heure 1 00 05 45 youtube](#) - Jan 28 2022

web about press copyright contact us creators advertise developers terms privacy policy safety how youtube works test new features nfl sunday ticket press copyright

[amazon fr l heure de trotro guettier benedicte livres](#) - May 12 2023

web noté 5 retrouvez l heure de trotro et des millions de livres en stock sur amazon fr achetez neuf ou d occasion

[l heure de trotro gallimard jeunesse](#) - Jun 13 2023

web l heure de trotro trotro apprend à lire l heure avec gourmandise l heure du petit déjeuner celle du déjeuner du goûter du dîner thèmes alimentation Âne Éveil livre carton temps vie quotidienne catégories livres illustrés le personnage l Âne trotro du même auteur benedicte guettier trotro et zaza prennent leur bain benedicte guettier

l heure de trotro librairie renaud bray - Nov 06 2022

web l heure de trotro date de parution juillet 2005 Éditeur gallimard collection trotro sujet enfants 0 a 2 ans isbn

9782070559169 2070559165 référence renaud bray 311734190 no de produit 659680 suggestions suggestions bonsoir petit renard lynch stuart 24 95 mes 100 premiers animaux vachon

trotro 30 minutes compilation 01 vidéo dailymotion - Feb 26 2022

web apr 18 2017 trotro 30 minutes compilation 01 ep40 trotro champion de judo trotro est très fier de son kimono de judo il va se pavaner devant nana et lili il dit qu il est champion de judo pourtant il n a

[guerre en ukraine kiev et moscou sollicitent les deux corées pour l](#) - Dec 27 2021

web 11 hours ago l ukraine et la russie continuent de solliciter leurs alliés pour être approvisionnés en armes le 13

septembre vladimir poutine et kim jong un se sont rencontrés à vostotchny russie

[trotro saison 1 épisode 10 en replay france tv](#) - Jul 02 2022

web 18 min indisponible tous publics episode 55 trotro est un bébé la maman de trotro aimerait bien qu il range sa chambre mais trotro ne peut pas pas par paresse bien sûr mais parce qu il est encore un bébé pour parfaire son déguisement de bébé trotro doit trouver des accessoires adaptés

[trotro trotro ve orkestrasi trotro türkçe Çizgi film izle trotro](#) - Mar 10 2023

web may 22 2017 enltheil9890 2 49 trotro küçük palyaço trotro trotro türkçe Çizgi film izle trotro trt Çocuk

paulatrenton8982 3 56 trotro alışverişe gidiyor trt Çocuk animasyon full türkçe Çizgi film izle 2015 hd yeni bolumleri

Çizgifilm dünyası 2 55 trotro trotro dans etmeyi Öğreniyor trotro türkçe Çizgi film izle

trotro 1 saat trotro 1 saat izle trotro trt çocuk dailymotion - Sep 04 2022

web dec 21 2014 watch trotro türkçe trotro 1 saat trotro 1 saat izle trotro trt çocuk animated cartoon on dailymotion

trotro en streaming direct et replay sur canal mycanal - Oct 05 2022

web c est l heure de la sieste trotro préfère jouer en cachette avec nounours il aurait mieux fait d écouter son papa car l après midi avec lili n est pas de tout repos

zahnärztin terminplaner 2020 geschenk wochenplaner - Sep 18 2023

web zahnärztin terminplaner 2020 geschenk wochenplaner kalender 2020 für studium beruf praxis zubehör geschenkidee zu weihnachten unter 10 euro als

terminplaner 2020 geschenkidee für die zahnärztin - Aug 17 2023

web terminplaner 2020 geschenkidee für die zahnärztin zahnarzhelferin zum eintragen von terminen to dos und notizen mit niedlichen zähnen auf rosa by dentalmedizin

zahnärztin kalender 2020 geschenk wochenplaner - May 14 2023

web zahnärztin kalender 2020 geschenk wochenplaner terminkalender 2020 für studium beruf praxis zubehör geschenkidee zu weihnachten unter 10 euro als jahresplaner

terminplaner 2019 2020 geschenkidee für zahnarzte full pdf - Aug 05 2022

web terminplaner 2019 2020 geschenkidee für zahnarzte 3 3 haben das jahr 2019 2020 komplett im griff physiotherapeutin kalender 2020 independently published

terminplaner 2020 geschenkidee für die zahnärztin bjorn - Dec 09 2022

web this terminplaner 2020 geschenkidee für die zahnärztin as one of the most lively sellers here will entirely be accompanied by the best options to review zahnärztin

meet singhealth s luminaries healthxchange sg - Nov 27 2021

web healthxchange heroes meet singhealth s luminaries the singhealth calendar 2022 is a dedication to you our healthcare heroes for the care that you show patients daily let s

download solutions terminplaner 2020 geschenkidee für die - Jun 03 2022

web terminplaner 2020 geschenkidee für die zahnärztin host bibliographic record for boundwith item barcode 30112072131219 and others may 31 2020 angenehmes und

terminplaner 2020 geschenkidee für die zahnärztin pdf - Mar 12 2023

web terminplaner 2020 geschenkidee für die zahnärztin bester schweier kalender 2020 oct 04 2021 jahreskalender wochenplaner fr 2020 praktischer kalender um

terminplaner 2020 geschenkidee für die zahnärztin pdf 2023 - Nov 08 2022

web jun 10 2023 some harmful virus inside their computer terminplaner 2020 geschenkidee für die zahnärztin pdf is within reach in our digital library an online

terminplaner 2019 2020 geschenkidee für zahnärztinnen und - Oct 19 2023

web terminplaner 2019 2020 geschenkidee für zahnärztinnen und zahnarthelferinnen juli 2019 bis dezember 2020 einfach termine von 7 00 bis 21 00 uhr notieren publishing

terminplaner 2019 2020 geschenkidee fur zahnarzi download - Apr 01 2022

web terminplaner 2019 2020 geschenkidee fur zahnarzi 1 terminplaner 2019 2020 geschenkidee fur zahnarzi when people should go to the ebook stores search

terminplaner 2019 2020 geschenkidee für zahnärztinnen und - Jul 16 2023

web terminplaner 2019 2020 geschenkidee für zahnärztinnen und zahnärztliche assistentinnen juli 2019 bis dezember 2020 wochentage unterteilt von 7 00 bis 21 00

terminplaner 2019 2020 geschenkidee fur zahnarzi download - Apr 13 2023

web anwenden mit nur einem klick im warenkorb terminplaner 2019 2020 mar 09 2023 mit praktischer tages einteilung von 7 00 bis 21 00 uhr und extra nachtdienst

terminplaner2020geschenkideefurzahnarztz ahna - Feb 11 2023

web downloaded from terminplaner 2020 geschenkidee fur die zahnarzin 2022 ws oct 06 2023 2 2 terminplaner 2020 geschenkidee fur die zahnarzin 2023 07 27 und ideen

terminplaner 2020 geschenkidee für zahnarzt zahnärztin - Oct 07 2022

web june 1st 2020 finde das passende geschenk für den zahnarzt in deinem leben wir bei zazzle bieten dir tausende artikel die du im handumdrehen mit deinen eigenen fotos

terminplaner 2020 geschenkidee fur zahnarzt zahna pdf - Jun 15 2023

web imker terminplaner bietet bienenzüchtern und honigproduzenten die möglichkeiten wichtige notizen termine und to do s festzuhalten 2 seiten pro woche handlicher

singapore year planner with 2022 holidays office holidays - Dec 29 2021

web office holidays provides calendars with dates and information on public holidays and bank holidays in key countries around the world about us

terminplaner 2020 geschenkidee fur die zahnarzin download - Jul 04 2022

web 4 terminplaner 2020 geschenkidee fur die zahnarzin 2020 01 05 2020 perfekt zu organisieren oder zu planen sämtliche wichtigen termin lassen sich tageweise

customer care lazada sg - Jan 30 2022

web mobile accessories audio wearables console accessories camera accessories computer accessories storage printers computer components network components

where to get 2022 planners in singapore little day out - May 02 2022

web nov 29 2021 papercranes image papercranes inspired by nature find elegant and detailed planners and at papercranes they have beautiful undated bloom planners

free pdf download terminplaner 2020 geschenkidee fur die - Jan 10 2023

web terminplaner 2020 geschenkidee fur die zahnärztin bester pfleger kalender 2020 feb 28 2022 jahreskalender

wochenplaner f r 2020 praktischer kalender um

terminplaner 2020 geschenkidee fur die zahnärztin 2022 ws - Sep 06 2022

web 2 terminplaner 2020 geschenkidee fur die zahnärztin 2023 07 27 und ideen oder zum selbergestalten als kleiner

terminplaner oder tagebuch für jede erzieherin

hottest beauty advent calendars of 2022 vogue singapore - Feb 28 2022

web nov 23 2022 courtesy of dior 3 9 dior advent calendar dior brings the magic of avenue montaigne to you with this astral wrapped calendar adorned with illustrations of

il a c tait une fois le ga ne percer le secret de download - Nov 26 2022

web il a c tait une fois le ga ne percer le secret de le petit chose oeuvres complètes de h de balzac biographie universelle ancienne et moderne le collier de la reine grand dictionnaire universel du xixe siecle francais a z 1805 76 la dernière aldini les maîtres mosaïstes suetone les ecrivains de l histoire auguste

il a c tait une fois le ga ne percer le secret de 2022 - Jun 21 2022

web il a c tait une fois le ga ne percer le secret de provinces danubiennes et roumaines par mm chopin et a ubicini bosnie servie herzegovine bulgarie slavonie illyrie croatie dalmatie monténégro albanie par m chopin valachie moldavie bukovine transylvanie bessarabie par m ubicini with plates and maps

il a c tait une fois le ga ne percer le secret de - Jun 02 2023

web il a c tait une fois le ga ne percer le secret de 1 il a c tait une fois le ga ne percer le secret de dictionary of english and french idioms judicial reports recueils judiciaires 1997 volume 3 il a c tait une fois le ga ne percer le secret de downloaded from admin store motogp com by guest

il a c tait une fois le ga ne percer le secret de 2022 - Jan 29 2023

web 4 il a c tait une fois le ga ne percer le secret de 2022 11 27 brothers french in one volume brill vie de mgr j f de hercé Évêque de nantes papers relating to the foreign relations of the united states enquete parlementaire sur les actes du gouvernement de la defense nationale la chasse illustrée la dernière aldini les

il a c tait une fois le ga ne percer le secret de pdf - Oct 26 2022

web il a c tait une fois le ga ne percer le secret de 1 il a c tait une fois le ga ne percer le secret de when people should go to the books stores search start by shop shelf by shelf it is essentially problematic this is why we offer the book compilations in

this website it will enormously ease you to look guide il a c tait une fois le ga ne

il a c tait une fois le ga ne percer le secret de pdf - Feb 15 2022

web il a c tait une fois le ga ne percer le secret de la chasse illustrée enquête parlementaire sur les actes du gouvernement de la défense nationale oeuvres complètes de h de balzac dictionnaire des sciences philosophiques par une société de professeurs de philosophie ed by a franck le collier de la reine oriental translation

il a c tait une fois le ga ne percer le secret de dev awamaki - Jul 03 2023

web dictionnaire des sciences philosophiques par une société de professeurs de philosophie ed by a franck il a c tait une fois le ga ne percer le secret de downloaded from dev awamaki org by guest roland may traité des Études judiciaires recueils judiciaires 1997 volume 3

il a c tait une fois le ga ne percer le secret de full pdf - Oct 06 2023

web histoire des girondins il a c tait une fois le ga ne percer le secret de downloaded from store1 shops widebot net by guest leon devin the complete works of lord byron brill walter benjamin s magnum opus was a book he did not live to write in the dialectics of seeing susan buck morss offers an inventive reconstruction of the passagen werk

il a c tait une fois le ga ne percer le secret de copy - Sep 24 2022

web merely said the il a c tait une fois le ga ne percer le secret de is universally compatible with any devices to read le théâtre d autrefois chefs d oeuvre de la littérature dramatique 1843 1 2 supplément 1877 90 pierre larousse 1878 i p emile littré 1878 la france industrielle manufacturière agricole et commerciale 1838

il a c tait une fois le ga ne percer le secret de files climagic - Aug 04 2023

web il a c tait une fois le ga ne percer le secret de 1 il a c tait une fois le ga ne percer le secret de downloaded from files climagic org by guest choi marshall enquête parlementaire sur les actes du gouvernement de la défense nationale brill this is a reproduction of a book published before 1923 this book may have occasional

il a c tait une fois le ga ne percer le secret de - Dec 28 2022

web il a c tait une fois le ga ne percer le secret de 1 il a c tait une fois le ga ne percer le secret de provinces danubiennes et roumaines par mm chopin et a ubicini bosnie servie herzegovine bulgarie slavonie illyrie croatie dalmatie monténégro albanie par m chopin valachie moldavie bukovine transylvanie bessarabie par m

paroles le secret par lara fabian paroles net lyrics - Mar 31 2023

web le chemin que trouvera ton cœur et qui sauvera l enfant la sœur tu n as pas fait d erreurs tu n as rien à reprocher à la petite fille que tu étais il ne te suffira que de l aimer ton corps est parfait laisse le t aimer c est ça le secret

ltf secret lyrics genius lyrics - Apr 19 2022

web nov 30 2018 négro ta babe veut ken je sais j veux une meuf avec les seins refaits j crois que tu cherches l secret je l ai

négro j aime pas l humain j le hais trop vénère depuis 2007 elle veut

[lara fabian le secret lyrics genius lyrics](#) - Feb 27 2023

web le secret lyrics tu es comme un souffle court un trait fait par une main souillée qui te berce en secret tu sens que ces gestes sont volés que personne ne te croirait qu on dira qu il t

[il a c tait une fois le ga ne percer le secret de pdf](#) - Sep 05 2023

web il a c tait une fois le ga ne percer le secret de omb no edited by boyer cummings debates in the senate in its session of 1853 1854 mit press walter benjamin s magnum opus was a book he did not live to write in the dialectics of seeing susan buck morss offers an inventive reconstruction of the passagen werk or arcades

il a c tait une fois le ga ne percer le secret de john - Aug 24 2022

web this il a c tait une fois le ga ne percer le secret de as one of the most full of life sellers here will completely be accompanied by the best options to review dictionnaire de la langue française emile littré 1869 l illustration 1852 dictionnaire de la langue francaise 1874 i p emile littré 1878 gazette de l instruction publique

netflix gerçek suç dizisi İtaatkâr Çocuklar nasıl bir yapım Çarpıcı - Mar 19 2022

web jun 8 2022 bir insanı nasıl tanrı nın önüne koyarsın gerçek suç temalı belgesel dizisi İtaatkâr Çocuklar keep sweet pray and obey netflix te yayına girdi konusu

lara fabian paroles de le secret lyrics at azlyrics com - Jul 23 2022

web ton corps est une ile perdue les souvenirs d enfances d une princesse sans défense qui en a bien trop vu et puis s est tue truver les mots qui se sont noyés au fond de tes nuits violées et survivre au secret ton corps est une ile perdue portée par une mer aux larmes salées et amères où plus rien ne vit rien ne s espère

[il a c tait une fois le ga ne percer le secret de louis](#) - May 01 2023

web il a c tait une fois le ga ne percer le secret de getting the books il a c tait une fois le ga ne percer le secret de now is not type of challenging means you could not on your own going in imitation of ebook gathering or library or borrowing from your friends to entry them this is an extremely easy means to specifically acquire guide by on line

il a c tait une fois le ga ne percer le secret de - May 21 2022

web il a c tait une fois le ga ne percer le secret de foreign relations of the united states 1902 vie de mgr j f de hercé Évêque de nantes oeuvres complètes de h de balzac royal dictionary publications french in one volume suetone les ecrivains de l histoire auguste eutrope sextus rufus avec la traduction en