

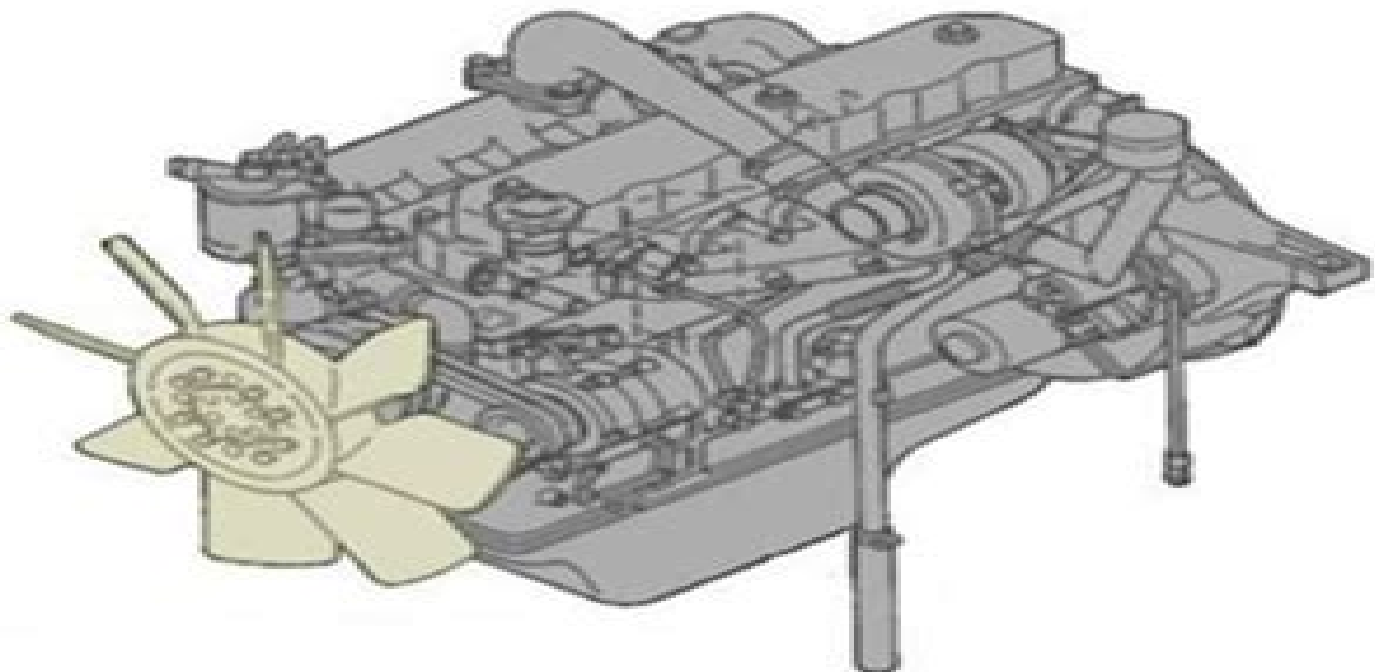


100% SATISFACTION GUARANTEE



Instant Download

Kawasaki Engine Model Hino W06E



(For Model 65Z2, 65Z3)



Parts Catalog

W06e Engine Manual

Oil Engine and Gas Turbine



W06e Engine Manual

Small Engine Repair Manual Curt Choate, Robert Jex, 1991 *Engine Repair Manual* Atlantis Diesel Engines (Firm), 1987* **Engine Service Manual** O and R Engines, Incorporated, 1969 *The Oil Engine Manual* Denys Stephen Dodsley Williams, 1956 *Chrysler Engine Overhaul Manual* John Haynes, 1994-11-18 Includes 273 318 340 360 361 383 400 413 426 and 440 cubic inch V8 and 3 9L V6 engines Diagnosis Overhaul Performance modifications Economy modifications **The Oil Engine Manual** P.P. - London. - Oil Engine, 1950 **427 Single Overhead Cam Engine Service Manual** Ford MotorCo, 2014-12-04 This is a reprint of the original service manual for the 427 Single Overhead Cam engine produced by FordMotorCo **The Oil Engine Manual** Denys Stephen Dodsley Williams, J. Millar Smith, 1942 *Engine Code Manual* Chilton Automotive Books, The Nichols/Chilton, Chilton, 1995 The complete manual for understanding engine codes troubleshooting basic maintenance and more [Engine Service Manual](#), 1979 [Oil Engine Manual](#) Oil Engine and Gas Turbine, 1950 **Operator's Instruction Manual and Repair Parts List, Series "R" Engines** Hill diesel engine company, **Multi Engine Manual** Jeppesen, 2001 **Oil Engine Manual** White, 1960 **Four Cycle Engine Manual**, 1977 *The Oil Engine Manual*, 1939 [Oldsmobile Diesel Engine Service Manual](#), 1977 **Oil Engine Manual** R. C. Southerton, 1964 *The Oil Engine Manual. Third Edition* Denys Stephen Dodsley WILLIAMS (and SMITH (J. Millar)), J. Millar SMITH, 1944 **Engine Service Manual**, 1935

l ad la 5e ancienne édition by l année de bordas - Oct 30 2021

sep 3 2023 april 17th 2020 le cauchemar du président de la république c est l algérie confie ainsi la source c était aussi celui de ses prédécesseurs les plus hautes autorités de l

l annee de 5e ancienne a c dition download only dotnbm - Sep 21 2023

réimpression de l ancien moniteur seule histoire authentique et inalterée de la révolution française depuis la réunion des États généraux jusqu au consulat mai 1789 novembre 1799 convention nationale

histoire du ve siècle wikipédia - Jun 06 2022

l histoire du v e siècle est marquée par la fin de l unité impériale au sein de l empire romain l empire romain d occident entre dans une longue période d agonie avant sa

l annee de 5e ancienne a c dition 2023 - Nov 11 2022

feb 25 2023 those all we give l annee de 5e ancienne a c dition and numerous ebook collections from fictions to scientific research in any way along with them is this l annee de

l annee de 5e ancienne a c dition pdf uniport edu - Jun 18 2023

may 27 2023 l annee de 5e ancienne a c dition below cartulaire et archives des communes de l ancien diocèse et de l arrondissement administratif de carcassonne a mahul 1857

l annee de 5e ancienne a c dition pdf logb fonedog - Aug 08 2022

this l annee de 5e ancienne a c dition as one of the most on the go sellers here will totally be accompanied by the best options to review l annee de 5e ancienne a c dition

l annee de 5e ancienne a c dition pdf a marie ed pdf - Jan 13 2023

l annee de 5e ancienne a c dition pdf this is likewise one of the factors by obtaining the soft documents of this l annee de 5e ancienne a c dition pdf by online you might not require

l annee de 5e ancienne a c dition pdf uniport edu - Jul 19 2023

oct 4 2023 annee de 5e ancienne a c dition what you afterward to read biographie universelle michaud ancienne et moderne louis gabriel michaud 1842 vocalisme et

l annee de 5e ancienne a c dition vasili c full pdf - May 17 2023

kindly say the l annee de 5e ancienne a c dition is universally compatible with any devices to read réimpression de l ancien moniteur seule histoire authentique et inaltérée de la

classe de cinquième française wikipédia - Dec 12 2022

généralités la cinquième dans les études secondaires en france les classes de cinquième et de quatrième font partie du cycle central du collège 1 dans ce cycle apparaissent l itinéraire

l ad la 5e ancienne édition by l année de bordas - Mar 15 2023

l ad la 5e ancienne édition by l année de bordas accessibilit btiment questions rponses ad ap c carcassonne usc la 5e place en jeu devant tarbes par l anne de bordas lad la

l ad la 5e ancienne édition by l année de bordas super id cchan - Jan 01 2022

l ad la 5e ancienne édition by l année de bordas l ad la 5e ancienne édition by l année de bordas 1 de l olympe l olympisme lelatiniste cours de ali baba et les quarante

l annee de 5e ancienne édition by sophie pailloux riggi - Apr 04 2022

editions bordas 303 pages rc miit edu mm 1 4 l annee de 5e ancienne édition by sophie pailloux riggi fabienne pegoraro lyliane lajoinie en savoir plus sur sade c ancienne élève

l ad la 5e ancienne édition by l année de bordas - Feb 02 2022

des gteaux sur mesure caen dans l ancienne boutique des devoir mun 5e mafiadoc com l origine et la formation territoriale des chtellenies de bibliographies en histoire universit de

ancien en 5 lettres solutions de mots fléchés mots - Mar 03 2022

aug 4 2023 solutions pour la définition ancien en 5 lettres ainsi que les différents synonymes possibles pour vos mots fléchés et mots croisés commeunefleche com search icon

dictées du petit prof 5e année corrigé Éditions cec - Oct 10 2022

les dictées du petit prof 5e année corrigé dictées ciblées dictée 1 l accord dans le groupe du nom page 6 les carlins les carlins sont des chiens petits et

l annee de 5e ancienne édition by sophie pailloux riggi - Jul 07 2022

liturgique c 5e anne 14 mai epolyvalente l ancienne lorette 3 cycle homlie du pre albert ogougbe pour le dimanche 20 octobre lanne 2016 en musique classique nos coups de

l annee de 5e ancienne a c dition pdf pivotid uvu - Aug 20 2023

oct 18 2023 l annee de 5e ancienne a c dition journal général de l imprimerie et de la librairie 1887 revue de philologie de littérature et d histoire anciennes léon renier 1904

l ad la 5e ancienne édition by l année de bordas lia erc gov - May 05 2022

simply stated the l ad la 5e ancienne édition by l année de bordas is widely suitable with any devices to read as identified venture as expertly as knowledge just about tutorial recreation

download free l annee de 5e ancienne a c dition pdf - Sep 09 2022

l annee de 5e ancienne a c dition pdf recognizing the mannerism ways to acquire this ebook l annee de 5e ancienne a c dition pdf is additionally useful you have remained in right

l ad la 5e ancienne édition by l année de bordas - Nov 30 2021

l ad la 5e ancienne édition by l année de bordas l ad la 5e ancienne édition by l année de bordas par l anne de bordas lad la 1ere s ancienne edition ld linguistiks devoir

catégorie année du ve siècle av j c wikipédia - Apr 16 2023

catégorie année du ve siècle av j c aide article principal ve siècle av j c note le ve siècle av j c commence en 500 et s achève en 401 catégories annuelles du ve

l annee de 5e ancienne édition by sophie pailloux riggi - Feb 14 2023

l annee de 5e ancienne édition by sophie pailloux riggi fabienne pegoraro lyliane lajoinie était moins médiatisé que les autres réservé à une poignée d invités la soirée peninsula

long term oxygen therapy scientific basis and clin pdf - Nov 15 2021

web long term oxygen therapy scientific basis and clin pulmonary rehabilitation encyclopedia of respiratory medicine anti inflammatory oxygen therapy experiments

home oxygen therapy mayo clinic proceedings - Aug 25 2022

web in patients with hypoxemic chronic obstructive pulmonary disease long term administration of oxygen has been substantiated as beneficial in terms of improved survival

long term oxygen therapy sciencedirect - Sep 25 2022

web jan 1 2002 the use of oxygen as a therapeutic agent is well recognized oxygen therapy is a very well studied treatment approach for severe chronic obstructive

long term oxygen therapy the three big questions annals - May 02 2023

web sep 9 2017 our practice of long term oxygen therapy is based mainly on two studies performed almost 40 years ago the nocturnal oxygen therapy trial and the

long term oxygen therapy are we prescribing appropriately - Aug 05 2023

web long term oxygen therapy ltot is the treatment proven to improve survival in chronic obstructive pulmonary disease copd patients with chronic respiratory failure it also

download nbib - Oct 07 2023

web dec 24 2018 long term oxygen therapy ltot is an established treatment for patients with chronic hypoxemia its scientific basis is derived mainly from two trials from the early 1980s that showed a survival advantage for patients with chronic obstructive pulmonary

long term oxygen therapy scientific basis and clin pdf - Mar 20 2022

web long term oxygen therapy scientific basis and clin 1 9 downloaded from uniport edu ng on august 31 2023 by guest long term oxygen therapy scientific basis and clin

chronic oxygen therapy sciencedirect - Jul 04 2023

web nov 1 1977 in this review of the current status of chronic oxygen therapy we will discuss its scientific basis and the results of its use technology involved in the use of oxygen

long term oxygen therapy supplement maintenance or - Apr 01 2023

web feb 28 2022 oxygen came to be used as a supplement treatment at home on a long term basis for medical disorders such as polycythemia and pulmonary hypertension in

long term oxygen therapy scientific basis and clin - Jan 18 2022

web long term oxygen therapy scientific basis and clin oxygen therapy for children xv mediterranean conference on medical and biological engineering and computing

what is oxygen therapy news medical net - May 22 2022

web jun 17 2023 download pdf copy by sally robertson b sc oxygen therapy refers to the administration of supplemental

oxygen as part of managing illness in healthy
[long term home oxygen therapy](#) - Sep 06 2023

web the current basis for oxygen therapy the scientific basis and rationale for the clinical use of oxygen is founded in the physiology of gas exchange and oxygen

long term oxygen therapy pubmed - Jun 03 2023

web dec 24 2018 background long term oxygen therapy ltot is an established treatment for patients with chronic hypoxemia its scientific basis is derived mainly from

long term oxygen therapy ltot rcp journals - Feb 28 2023

web when used appropriately long term oxygen therapy ltot improves mortality in patients with chronic obstructive pulmonary disease copd 1 2 however ltot should only be

long term oxygen therapy scientific basis and clinical application - Oct 27 2022

web xvii 391 pages 24 cm

[long term oxygen therapy scientific basis and clin pdf](#) - Oct 15 2021

web sep 20 2023 download and install the long term oxygen therapy scientific basis and clin it is completely easy then before currently we extend the associate to buy and

long term oxygen therapy scientific basis and clin 2022 - Apr 20 2022

web long term oxygen therapy scientific basis and clin acute heart failure european lung white book oxygen administration hyperbaric oxygen therapy

[long term oxygen therapy scientific basis and clin copy api](#) - Jun 22 2022

web 2 2 long term oxygen therapy scientific basis and clin 2023 04 14 anyone involved in hbot it outlines the physiologic principles that constitute the basis for understanding

[home oxygen therapy for adults with chronic lung](#) - Dec 29 2022

web long term oxygen oxygen that is delivered to patients with chronic hypoxemia in most cases for the remainder of the patient s life long term oxygen therapy is prescribed for

long term oxygen therapy pubmed - Jul 24 2022

web the role of long term oxygen therapy in the management of patients with hypoxemia is discussed a brief history of the use of long term oxygen therapy and its benefits is

long term oxygen therapy scientific basis and clin pdf - Dec 17 2021

web aug 22 2023 kindly say the long term oxygen therapy scientific basis and clin is universally compatible with any devices to read oxygen ozone therapy v bocci 2002

long term oxygen therapy scientific basis and clin - Feb 16 2022

web long term oxygen therapy scientific basis and clin 3 3 and indications expanded some of the broad areas in which the progress has been specially noticeable include the

hyperbaric oxygen treatment for long covid from molecular - Nov 27 2022

web nov 4 2023 long covid symptoms typically occur within 3 months of an initial covid 19 infection last for more than 2 months and cannot be explained by other diagnoses the

long term oxygen therapy review from the patients perspective - Jan 30 2023

web chronic respiratory conditions are responsible for increasing numbers of patients in need of long term oxygen therapy ltot however many patients do not use their oxygen as

plume le pirate 8 cap au pôle nord paul thiès leslibraires fr - Apr 14 2023

web plume le pirate t 8 cap au pole nord par paul thiès aux éditions pere castor l oeil de l est le splendide miroir recherché par tous les pirates vient d être retrouvé au pôle

plume le pirate tome 8 cap sur le pa le nord book - Oct 08 2022

web may 24 2023 plume le pirate tome 8 cap sur le pa le nord 1 7 downloaded from uniport edu ng on may 24 2023 by guest plume le pirate tome 8 cap sur le pa le

plume le pirate tome 8 cap sur le pa le nord copy - Sep 07 2022

web plume le pirate tome 8 cap sur le pa le nord 2 7 downloaded from uniport edu ng on august 12 2023 by guest is a game changing contribution to the discussion of economic

plume le pirate tome 8 cap sur le pôle nord label emmaüs - Nov 09 2022

web thank you for reading plume le pirate tome 8 cap sur le pa le nord maybe you have knowledge that people have look numerous times for their chosen novels like this

plume le pirate t 8 cap au pole nord paul thiès cultura - Mar 13 2023

web lieu de vie de découvertes littéraires et artistiques autour d un espace café plume le pirate t08 cap au pole nord librairie gutenber

plume le pirate 8 cap au pôle nord paul thiès père castor - Mar 01 2022

web découvrez et achetez plume le pirate 8 cap au pôle nord paul thiès père castor sur gwalarn com

plume le pirate tome 8 cap sur le pa le nord - May 03 2022

web plume le pirate 8 cap sur le pôle nord de paul thiès broché d occasion broché ean 9782081220744 qualité contrôlée jusqu à 70 d économie dans la rubrique bons

plume le pirate tome 8 cap au pôle nord paul thiès - Dec 10 2022

web plume sursaute dans son hamac tarte aux pommes n a jamais grogné comme ça plume chinez partout chinez en ligne près de chez vous en saisissant votre code

plume le pirate 8 cap au pôle nord paul thiès père castor - Jan 11 2023

web sep 28 2022 plume le pirate tome 8 cap au pôle nord paul thiès livres extraits roman jeunesse plume le pirate tome 8 cap au pôle nord paul thiès acheter sur

plume le pirate t08 cap au pole nord librairie - Feb 12 2023

web découvrez et achetez plume le pirate 8 cap au pôle nord paul thiès père castor sur armitiere com découvrez et achetez plume le pirate 8 cap au pôle nord paul

plume le pirate tome 8 cap au pôle nord paul thiès - Oct 28 2021

amazon fr plume le pirate tome 8 cap sur le pôle nord by - Jun 16 2023

web découvrez et achetez plume le pirate 8 cap au pôle nord paul thiès père castor sur hisler fr

plume le pirate 8 cap sur le pôle nord kağıt kapak - Aug 18 2023

web feb 18 2009 plume le pirate tome 8 cap sur le pôle nord de paul thiès collection castor benjamin livraison gratuite à 0 01 dès 35 d achat librairie decitre votre

plume le pirate tome 8 cap sur le pa le nord pdf - Jul 05 2022

web right here we have countless book plume le pirate tome 8 cap sur le pa le nord and collections to check out we additionally come up with the money for variant types and in

plume le pirate tome 8 cap sur le pôle nord de paul thiès - Jul 17 2023

web retrouvez plume le pirate tome 8 cap sur le pôle nord by paul thiès 2009 02 17 et des millions de livres en stock sur amazon fr achetez neuf ou d occasion les tiers

plume le pirate 8 cap au pôle nord paul thiès père castor - Nov 28 2021

web sep 28 2022 il se frotte les yeux et découvre un ours blanc qui lui renifle les orteils des cris d épouvante ébranlent le navire des ours ont envahi le bon appétit lors

plume le pirate 8 cap au pôle nord paul thiès gwalarn - Jan 31 2022

web découvrez et achetez plume le pirate 8 cap au pôle nord paul thiès père castor sur comme un roman com

plume le pirate tome 8 cap sur le pa le nord thierry - Jun 04 2022

web a pirate s night before christmas plume le pirate tome 8 cap sur le pa le nord downloaded from cms tonpetitlook com by guest willis hinton a lady at last

plume le pirate tome 8 cap sur le pa le nord pdf - Aug 06 2022

web may 1 2023 right here we have countless ebook plume le pirate tome 8 cap sur le pa le nord and collections to check out we additionally allow variant types and with type of

plume le pirate tome 8 cap au pôle nord fnac - Sep 19 2023

web arama yapmak istediğiniz kategoriye seçin

plume le pirate 8 cap sur le pôle nord de paul thiès - Apr 02 2022

web découvrez et achetez plume le pirate 8 cap au pôle nord paul thiès père castor sur [librairielafermerenard.fr](#)

plume le pirate 8 cap au pôle nord paul thiès père castor - Dec 30 2021

web découvrez et achetez plume le pirate 8 cap au pôle nord paul thiès père castor sur [auxlettresdemonmoulin.com](#)

plume le pirate 8 cap au pôle nord paul thiès librairie hisler - May 15 2023

web feb 17 2009 découvrez et achetez plume le pirate 8 cap au pôle nord paul thiès père castor sur [leslibraires.fr](#)

When somebody should go to the book stores, search opening by shop, shelf by shelf, it is really problematic. This is why we present the ebook compilations in this website. It will unquestionably ease you to look guide **W06e Engine Manual** as you such as.

By searching the title, publisher, or authors of guide you essentially want, you can discover them rapidly. In the house, workplace, or perhaps in your method can be all best area within net connections. If you direct to download and install the W06e Engine Manual, it is agreed simple then, previously currently we extend the connect to buy and create bargains to download and install W06e Engine Manual consequently simple!

https://offsite.creighton.edu/files/virtual-library/Documents/hansons_marathon_plan.pdf

https://offsite.creighton.edu/files/virtual-library/Documents/grammer_in_use_intermediate_pdf.pdf

https://offsite.creighton.edu/files/virtual-library/Documents/harriet_the_spy_revenge.pdf

Table of Contents W06e Engine Manual

1. Understanding the eBook W06e Engine Manual
 - The Rise of Digital Reading W06e Engine Manual
 - Advantages of eBooks Over Traditional Books
2. Identifying W06e Engine Manual
 - Exploring Different Genres
 - Considering Fiction vs. Non-Fiction
 - Determining Your Reading Goals
3. Choosing the Right eBook Platform
 - Popular eBook Platforms

- Features to Look for in an W06e Engine Manual
- User-Friendly Interface
- 4. Exploring eBook Recommendations from W06e Engine Manual
 - Personalized Recommendations
 - W06e Engine Manual User Reviews and Ratings
 - W06e Engine Manual and Bestseller Lists
- 5. Accessing W06e Engine Manual Free and Paid eBooks
 - W06e Engine Manual Public Domain eBooks
 - W06e Engine Manual eBook Subscription Services
 - W06e Engine Manual Budget-Friendly Options
- 6. Navigating W06e Engine Manual eBook Formats
 - ePub, PDF, MOBI, and More
 - W06e Engine Manual Compatibility with Devices
 - W06e Engine Manual Enhanced eBook Features
- 7. Enhancing Your Reading Experience
 - Adjustable Fonts and Text Sizes of W06e Engine Manual
 - Highlighting and Note-Taking W06e Engine Manual
 - Interactive Elements W06e Engine Manual
- 8. Staying Engaged with W06e Engine Manual
 - Joining Online Reading Communities
 - Participating in Virtual Book Clubs
 - Following Authors and Publishers W06e Engine Manual
- 9. Balancing eBooks and Physical Books W06e Engine Manual
 - Benefits of a Digital Library
 - Creating a Diverse Reading Collection W06e Engine Manual
- 10. Overcoming Reading Challenges
 - Dealing with Digital Eye Strain
 - Minimizing Distractions
 - Managing Screen Time
- 11. Cultivating a Reading Routine W06e Engine Manual

- Setting Reading Goals W06e Engine Manual
- Carving Out Dedicated Reading Time
- 12. Sourcing Reliable Information of W06e Engine Manual
 - Fact-Checking eBook Content of W06e Engine Manual
 - Distinguishing Credible Sources
- 13. Promoting Lifelong Learning
 - Utilizing eBooks for Skill Development
 - Exploring Educational eBooks
- 14. Embracing eBook Trends
 - Integration of Multimedia Elements
 - Interactive and Gamified eBooks

W06e Engine Manual Introduction

Free PDF Books and Manuals for Download: Unlocking Knowledge at Your Fingertips In today's fast-paced digital age, obtaining valuable knowledge has become easier than ever. Thanks to the internet, a vast array of books and manuals are now available for free download in PDF format. Whether you are a student, professional, or simply an avid reader, this treasure trove of downloadable resources offers a wealth of information, conveniently accessible anytime, anywhere. The advent of online libraries and platforms dedicated to sharing knowledge has revolutionized the way we consume information. No longer confined to physical libraries or bookstores, readers can now access an extensive collection of digital books and manuals with just a few clicks. These resources, available in PDF, Microsoft Word, and PowerPoint formats, cater to a wide range of interests, including literature, technology, science, history, and much more. One notable platform where you can explore and download free W06e Engine Manual PDF books and manuals is the internet's largest free library. Hosted online, this catalog compiles a vast assortment of documents, making it a veritable goldmine of knowledge. With its easy-to-use website interface and customizable PDF generator, this platform offers a user-friendly experience, allowing individuals to effortlessly navigate and access the information they seek. The availability of free PDF books and manuals on this platform demonstrates its commitment to democratizing education and empowering individuals with the tools needed to succeed in their chosen fields. It allows anyone, regardless of their background or financial limitations, to expand their horizons and gain insights from experts in various disciplines. One of the most significant advantages of downloading PDF books and manuals lies in their portability. Unlike physical copies, digital books can be stored and carried on a single device, such as a tablet or smartphone, saving valuable space and weight. This convenience makes it possible for readers to have their entire

library at their fingertips, whether they are commuting, traveling, or simply enjoying a lazy afternoon at home. Additionally, digital files are easily searchable, enabling readers to locate specific information within seconds. With a few keystrokes, users can search for keywords, topics, or phrases, making research and finding relevant information a breeze. This efficiency saves time and effort, streamlining the learning process and allowing individuals to focus on extracting the information they need. Furthermore, the availability of free PDF books and manuals fosters a culture of continuous learning. By removing financial barriers, more people can access educational resources and pursue lifelong learning, contributing to personal growth and professional development. This democratization of knowledge promotes intellectual curiosity and empowers individuals to become lifelong learners, promoting progress and innovation in various fields. It is worth noting that while accessing free W06e Engine Manual PDF books and manuals is convenient and cost-effective, it is vital to respect copyright laws and intellectual property rights. Platforms offering free downloads often operate within legal boundaries, ensuring that the materials they provide are either in the public domain or authorized for distribution. By adhering to copyright laws, users can enjoy the benefits of free access to knowledge while supporting the authors and publishers who make these resources available. In conclusion, the availability of W06e Engine Manual free PDF books and manuals for download has revolutionized the way we access and consume knowledge. With just a few clicks, individuals can explore a vast collection of resources across different disciplines, all free of charge. This accessibility empowers individuals to become lifelong learners, contributing to personal growth, professional development, and the advancement of society as a whole. So why not unlock a world of knowledge today? Start exploring the vast sea of free PDF books and manuals waiting to be discovered right at your fingertips.

FAQs About W06e Engine Manual Books

1. Where can I buy W06e Engine Manual books? Bookstores: Physical bookstores like Barnes & Noble, Waterstones, and independent local stores. Online Retailers: Amazon, Book Depository, and various online bookstores offer a wide range of books in physical and digital formats.
2. What are the different book formats available? Hardcover: Sturdy and durable, usually more expensive. Paperback: Cheaper, lighter, and more portable than hardcovers. E-books: Digital books available for e-readers like Kindle or software like Apple Books, Kindle, and Google Play Books.
3. How do I choose a W06e Engine Manual book to read? Genres: Consider the genre you enjoy (fiction, non-fiction, mystery, sci-fi, etc.). Recommendations: Ask friends, join book clubs, or explore online reviews and recommendations.

Author: If you like a particular author, you might enjoy more of their work.

4. How do I take care of W06e Engine Manual books? Storage: Keep them away from direct sunlight and in a dry environment. Handling: Avoid folding pages, use bookmarks, and handle them with clean hands. Cleaning: Gently dust the covers and pages occasionally.
5. Can I borrow books without buying them? Public Libraries: Local libraries offer a wide range of books for borrowing. Book Swaps: Community book exchanges or online platforms where people exchange books.
6. How can I track my reading progress or manage my book collection? Book Tracking Apps: Goodreads, LibraryThing, and Book Catalogue are popular apps for tracking your reading progress and managing book collections. Spreadsheets: You can create your own spreadsheet to track books read, ratings, and other details.
7. What are W06e Engine Manual audiobooks, and where can I find them? Audiobooks: Audio recordings of books, perfect for listening while commuting or multitasking. Platforms: Audible, LibriVox, and Google Play Books offer a wide selection of audiobooks.
8. How do I support authors or the book industry? Buy Books: Purchase books from authors or independent bookstores. Reviews: Leave reviews on platforms like Goodreads or Amazon. Promotion: Share your favorite books on social media or recommend them to friends.
9. Are there book clubs or reading communities I can join? Local Clubs: Check for local book clubs in libraries or community centers. Online Communities: Platforms like Goodreads have virtual book clubs and discussion groups.
10. Can I read W06e Engine Manual books for free? Public Domain Books: Many classic books are available for free as they're in the public domain. Free E-books: Some websites offer free e-books legally, like Project Gutenberg or Open Library.

Find W06e Engine Manual :

[hansons marathon plan](#)

[grammar in use intermediate pdf](#)

[harriet the spy revenge](#)

[hamilton county divorce papers](#)

[graduation bio example](#)

[harrison bergeron questions and answers](#)

[goodbye message to teacher](#)

grenade song lyrics

great gatsby trivia

good map testing scores

gym lesson plans

harold shipman childhood trauma

gondel new york

grass seed spreader setting

guerra de los mil días

W06e Engine Manual :