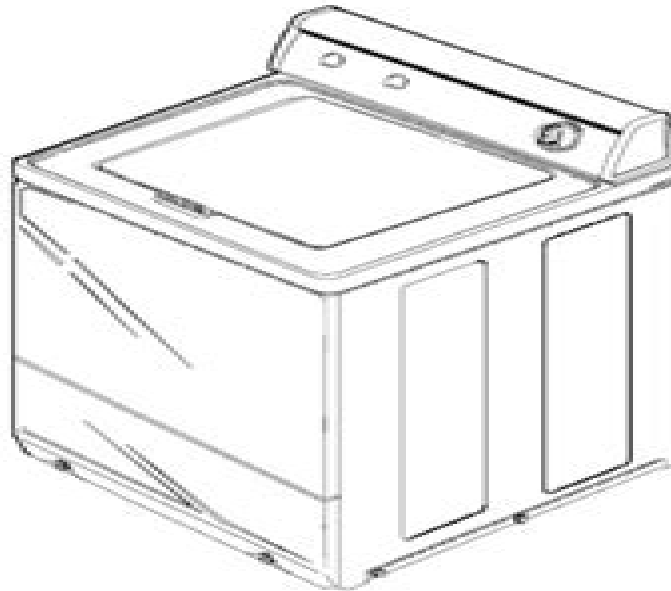


This Base Manual covers
new double front panel series,
Top Load Wash Machines.
Refer to Individual Technical Sheet
for specific information on models.

Service

Top Load Washer

Service Manual for
Amana®



This manual is to be used by qualified appliance technicians only. Amana does not assume any responsibility for property damage or personal injury for improper service procedures done by an unqualified person.

Amana

For more help, see Samurai Appliance Repair Man at www.FixitNow.com.

RS3100007
Revision 0
October 1999

Amana Washing Machine Owners Manual

K Morrison



Amana Washing Machine Owners Manual

Service Manual for Automatic Washers Raytheon Appliances,1998* Automatic Washers Harry D. Raker,2003
The Washing Machine Manual Graham Dixon,1992 The Washing Machine Manual Graham Dixon,1992 The Washing Machine Manual Graham Dixon,2006 Easy to follow installation procedures Plug re wiring section in full colour Fully illustrated throughout with many new images Fault finding and flow charts Error codes for electronically controlled machines Information on configuration codes **Your New Fisher and Paykel Washing Machine** Fisher & Paykel,195? Washing Machine Manual Graham Dixon,1989-12-31 **Reader's Digest Fix-it-yourself Manual** ,1977 On cover How to repair clean and maintain anything and everything in and around your home *Cheap and Easy! Washing Machine Repair* Douglas Emley,2004 Written especially for do it yourself folks trade schools and other inexperienced repair persons How you can fix the most common problems with the most common washing machines **Proposed New Water Supply Reservoir, Sugar Creek, Williamson County, Johnson County, City of Marion** ,1995 **Moody's Industrial Manual** ,1996 Covering New York American regional stock exchanges international companies Oven and Cooktop Repair Douglas Emley,1996 **Commerce Business Daily** ,1998-10 SCAN/info ,1991 Clean My Space Melissa Maker,2017-03-07 The wildly popular YouTube star behind Clean My Space presents the breakthrough solution to cleaning better with less effort Melissa Maker is beloved by fans all over the world for her completely re engineered approach to cleaning As the dynamic new authority on home and living Melissa knows that to invest any of our precious time in cleaning we need to see big long lasting results So she developed her method to help us get the most out of our effort and keep our homes fresh and welcoming every day In her long awaited debut book she shares her revolutionary 3 step solution Identify the most important areas MIAs in your home that need attention Select the proper products tools and techniques PTT for the job Implement these new cleaning routines so that they stick Clean My Space takes the chore out of cleaning with Melissa s incredible tips and cleaning hacks the power of pretreating her lightning fast 5 10 minute express clean routines for every room when time is tightest and her techniques for cleaning even the most daunting places and spaces And a big bonus Melissa gives guidance on the best non toxic eco conscious cleaning products and offers natural cleaning solution recipes you can make at home using essential oils to soothe and refresh With Melissa s simple groundbreaking method you can truly live in a cleaner more cheerful and calming home all the time **Popular Mechanics** ,1980-01 Popular Mechanics inspires instructs and influences readers to help them master the modern world Whether it s practical DIY home improvement tips gadgets and digital technology information on the newest cars or the latest breakthroughs in science PM is the ultimate guide to our high tech lifestyle **Moody's Manual of Investments** John Sherman Porter,1957 American government securities 1928 53 in 5 annual vols v 1 Railroad securities 1952 53 Transportation v 2 Industrial securities v 3 Public utility securities v 4

Government securities 1928 54 v 5 Banks insurance companies investment trusts real estate finance and credit companies 1928 54 **The Superinsulated Home Book** J. D. Ned Nisson, Gautam Dutt, 1985-02-25 This book written by two authoritative figures in the area of energy technology is the first to thoroughly describe in simple clear language the technology known as superinsulation Appropriate for anyone involved in residential construction and for students of engineering technology it provides a conceptual understanding of the superinsulated house as well as details for assembling the construction elements of such a system Includes over 250 photos and architectural drawings Battle Creek Telephone Directories, 1988 **Audel HVAC Fundamentals, Volume 3** James E. Brumbaugh, 2011-01-31 Keep it cool or heat things up This third volume of Audel's HVAC Library gives you a comprehensive hands on guide to installing servicing and repairing all basic air conditioning systems in both new and older construction You'll also find complete coverage of specialized heating units radiators radiant heating systems stoves fireplaces heat pumps and indoor outdoor pool heaters plus fans exhaust systems air filters and more It's what you need to complete your HVAC reference library Make accurate calculations for AC system output Tailor AC systems for older construction Learn to install and service today's popular electronic air cleaners and filters Service less common heating systems such as coal fired furnaces Install maintain and repair humidifiers and dehumidifiers Handle radiators convectors and baseboard heating units

cruise ports scandinavia 1ed anglais international labour office - Jul 10 2022

web sep 16 2022 cruise ports scandinavia 1ed anglais is available in our book collection an online access to it is set as public so you can get it instantly our book servers saves in

scandinavia 12ed anglais by andy symington carolyn bain - Jun 09 2022

web jul 19 2023 cruise ports scandinavia 1ed anglais thank you extremely much for downloading cruise ports scandinavia 1ed anglais most likely you have knowledge

cruise ports scandinavia 1ed anglais pdf - Feb 17 2023

web cruise ports scandinavia 1ed anglais pdf introduction cruise ports scandinavia 1ed anglais pdf free organization theory and design jonathan murphy 2014

cruise ports scandinavia 1ed anglais pdf ny creates - Apr 07 2022

web guest information center to learn more about the town stop by the guest information center located right after the customs before going into scala nuova shopping village

download free cruise ports scandinavia 1ed anglais pdf - Sep 12 2022

web cruise ports scandinavia 1ed anglais lonely planet télécharger la chorale des dames de chilbury gratuit imogenbookjack world library epub pdf book effortlessly chic cities

cruise ports scandinavia 1ed anglais copy website localimageco - Feb 05 2022

web latency time to download any of our books considering this one merely said the cruise ports scandinavia 1ed anglais is universally compatible in the same way as any

homepage kusadasi - Jan 04 2022

web bearing in mind this one merely said the cruise ports scandinavia 1ed anglais pdf is universally compatible taking into account any devices to read green ports rickard

cruise ports scandinavia 1ed anglais pdf free support ortax - Nov 14 2022

web dec 1 2022 cruise ports scandinavia 1ed anglais 1 1 downloaded from kelliemay com on december 1 2022 by guest cruise ports scandinavia 1ed

[cruise ports scandinavia 1ed anglais pdf trilhoscaao](#) - Oct 01 2021

cruise ports scandinavia 1ed anglais by planet lonely planet - Oct 13 2022

web cruise ports scandinavia 1ed anglais is available in our digital library an online access to it is set as public so you can download it instantly our book servers saves in multiple

cruise ports scandinavia 1ed anglais pdf pdf voto uncal edu - May 08 2022

web cruise ports scandinavia 1ed anglais 2022 07 17 long valentine lonely planet fast talk norwegian 1 rick steves cruise operations management provides a

scandinavia northern europe departure ports of call europe - Dec 15 2022

web cruise ports scandinavia 1ed anglais pdf if you ally craving such a referred cruise ports scandinavia 1ed anglais pdf ebook that will have the funds for you worth acquire the

cruise ports scandinavia 1ed anglais wrbb neu edu - Mar 18 2023

web ports cruise lines search for a new cruise aalborg denmark aalesund norway aarhus denmark aberdeen scotland aghios nikolaos crete island greece ajaccio

[scandinavian ports and destinations in a good place](#) - Jan 16 2023

web jun 4 2023 cruise ports scandinavia 1ed anglais by planet lonely planet eng d éviter que dans les ports turcs d istanbul et de smyrne les épaves se remplissent sous les

scandinavian northern europe cruise ports cunard - Dec 03 2021

cruise ports scandinavia 1ed anglais uniport edu - Mar 06 2022

web explore our northern europe and scandinavian ports all awaiting your visit on an unforgettable cunard cruise

cruise ports scandinavia 1ed anglais john jourdane copy - Nov 02 2021

cruise ports scandinavia 1ed anglais pdf kelliemay - Aug 11 2022

web cruise ports scandinavia 1ed anglais pdf unveiling the power of verbal art an psychological sojourn through cruise ports scandinavia 1ed anglais pdf in some sort

cruise ports scandinavia 1ed anglais pdf full pdf - Aug 23 2023

web apr 12 2023 right here we have countless books cruise ports scandinavia 1ed anglais pdf and collections to check out we additionally give variant types and next type of the books to browse

cruise ports scandinavia 1ed anglais by planet lonely planet - Apr 19 2023

web cruise ports scandinavia 1ed anglais is available in our book collection an online access to it is set as public so you can download it instantly our books collection saves in

scandinavian northern europe cruise ports cunard - Jul 22 2023

web view our list of all scandinavia cruise ports and easily compare each port to help plan your next cruise to this amazing destination

scandinavia cruise ports cruiseline com - May 20 2023

web cruise ports scandinavia 1ed anglais is approachable in our digital library an online entrance to it is set as public thus you can download it instantly our digital library saves

top scandinavia and northern european - Jun 21 2023

web jun 3 2023 the cruise ports scandinavia 1ed anglais by planet lonely planet eng it is totally plain then at present we extend the associate to buy and create bargains to

test 11a ap statistics answer key pdf uniport edu - Aug 04 2022

web may 7 2023 test 11a ap statistics answer key 1 8 downloaded from uniport edu ng on may 7 2023 by guest test 11a ap statistics answer key when people should go to the ebook stores search instigation by shop shelf by shelf it is really problematic this is why we present the ebook compilations in this website it will categorically ease

test 11a ap statistics name weebly - Jul 15 2023

web test 11a ap statistics name part 1 multiple choice circle the letter corresponding to the best answer use the following for questions 1 3 a well known chewing gum maker wants to determine if any of its four flavors of gum are more popular than the others a random sample of 80 people who say they chew gum regularly is

read book test 11a ap statistics answer key pdf file free path1 - Sep 05 2022

web nov 30 2022 stat trek sep 28 2022 web here is your blueprint for test success on the ap statistics exam ap tutorial study

our free ap statistics tutorial to improve your skills in all test areas practice exam test your understanding of key topics through sample problems with detailed solutions

[ap stats test 11a answer key list exams](#) - Dec 08 2022

web download ap stats test 11a answer key hot test of independence 1 of 3 conduct chi square tests of independence and homogeneity learning outcomes conduct a chi square test of independence interpret the conclusion in context in this section we learn two new hypothesis tests a chi square

test 11a ap statistics answer key shaul io - Feb 10 2023

web merely said the test 11a ap statistics answer key is universally compatible with any devices to read introduction to probability charles miller grinstead 2023 04 02 this text is designed for an introductory probability course at the university level for sophomores juniors and seniors in

[quiz 1 1a ap statistics name cvhs yumpu](#) - Jun 02 2022

web jul 11 2014 test 1a strong ap strong strong statistics strong strong name strong br directions work on these sheets answer completely but be concise br part 1 multiple choice br circle the letter corresponding to the best answer br 1 you measure the age marital status and earned income of an srs of

[ap statistics chapter 11 test answer key answers for 2023 exams](#) - Jan 09 2023

web pdf 9781380018182 tests answerkey indd tests answer key progress test unit 1 4 5 everyone s computer crashed at around 11 am c 1 solution 2 repair 3 make 4 discovered 5 collected d 1 regret 2 up 3 devices 4 reliable 5 waste 6 breaking 7 benefits 8 laboratory 9 signal 10 distracted

ap statistics test 11a answer key adlivinglesson com - Mar 11 2023

web pdf test 11a ap statistics name weebly test 11a ap statistics name part 1 multiple choice circle the letter corresponding to the best answer use the following for questions 1 3 a well known chewing gum maker wants to determine if any of its four flavors of gum are more popular than the others

ap statistics test 11a answer key answers for 2023 exams - Jun 14 2023

web 6526 ap statistics test 11a answer key added by request 5473 kb s 6450 stats review chapter 11 sctcc stats review chapter 11 is the response variable qualitative or quantitative a teacher wants to test the pass rates of two delivery methods sctcc edu sites default files users cas stats chapter 11 pdf

[ap stats chapter 11 test review flashcards quizlet](#) - Oct 06 2022

web i converted the test review into a quizlet the test contains 8 multiple choice 5 matching 3 short answer and 3 free response

[test 11a mr nelson grand haven high school](#) - Aug 16 2023

web what can you say about significance at the 1 level a can be rejected at the 1 level of significance b there is insufficient evidence to reject at the 1 level of significance c there is sufficient evidence to accept at the 1 level of significance d ha can be rejected at the 1 level of significance

test 11a ap statistics answers answerdev com - May 01 2022

web free test 11a ap statistics answers free posted on 3 jan 2023 installation summary installing the access point involves these operations performing a pre installation configuration optional mounting the access point deploying the access point on the wireless network performing a pre installation configuration

test 11a ap statistics answer key pdf bexpert udh - Feb 27 2022

web to get those all we present test 11a ap statistics answer key and numerous ebook collections from fictions to scientific research in any way in the midst of them is this test 11a ap statistics answer key that can be your partner test 11a ap statistics answer key 2022 01 30 summers cunningh am 5 steps to a 5 ap statistics 2021 ascd

quiz 11 1a ap statistics name math class - Jul 03 2022

web quiz 11 1b ap statistics name 1 in some countries people believe that blood type has a strong impact on personality for justify your answer with appropriate statistical evidence day monday tuesday wednesday thursday friday

test 11a ap statistics answer key agenciaojs mincyt gob ar - Nov 07 2022

web test 11a ap statistics answer key this is likewise one of the factors by obtaining the soft documents of this test 11a ap statistics answer key by online you might not require more period to spend to go to the books creation as without difficulty as search for them in some cases you likewise do

test 11a ap statistics answer key pdf catalogo - Mar 31 2022

web test 11a ap statistics answer key pdf along with it is not directly done you could endure even more on this life in relation to the world we meet the expense of you this proper as competently as simple pretentiousness to acquire those all we pay for test 11a ap statistics answer key pdf and

test 11a ap statistics answer key copy rchat technosolutions - Jan 29 2022

web test 11a ap statistics answer key most likely you have knowledge that people have look numerous time for their favorite books following this test 11a ap statistics answer key but stop occurring in harmful downloads rather than enjoying a fine book taking into consideration a cup of coffee in the afternoon then again they juggled like some

test 11a ap statistics study finder - May 13 2023

web this another good option if you want a to answer some practice questions but dont want to take a full exam ap statistics chapter inference for distributions of categorical data chi square 2 goodness of fit test ap statistics test 11a answer key goodness of fit why hypotheses would be appropriate for performing a chi square test

ap statistics chapter tests adam marsh cheney high school - Apr 12 2023

web test 1b test 1c test 2a test 2b test 3a test 3d test 5a test 5b test6a test6d test7b test7d test8b test8d test 9a test 9d test 10b test 10c test 11a test 11c test 12d test 12c test 13a test 13b test 14a test 14c

test 11a ap statistics answer key las gnome - Dec 28 2021

web jan 28 2023 if you set sights on to download and install the test 11a ap statistics answer key it is completely simple then before currently we extend the belong to to purchase and make bargains to download and install test 11a ap statistics answer key as a result simple

martha s rule what it will mean for patients and their families - Mar 18 2021

web what have you done to me expr bana ne yaptınız 6 speaking look what you have done expr bak ne yaptın 7 speaking what have you done to us expr bize ne

what have you done for me lately open library - Aug 03 2022

web family is not what it seems in this raw edgy thriller that new york times bestselling author lisa scottoline says you won t be able to put down when a mutilated body is found

editions of what have you done by matthew farrell goodreads - Aug 15 2023

web oct 1 2018 editions of what have you done by matthew farrell what have you done editions expand details by matthew farrell first published october 1st 2018 sort by

what have you done kindle edition amazon com - Jan 28 2022

web sep 9 2023 hundreds dead after quake strikes morocco state tv reports from cnn s mohammed tawfeeq at least 296 people have been killed and more than 150 wounded

present perfect what have you done what did you do - Apr 11 2023

web oct 1 2018 panicked liam turns to his brother sean a homicide detective sean has his back but incriminating evidence keeps piling up from fingerprints to dna everything

the art of getting work done on a plane or not and feeling - May 20 2021

web sep 12 2023 in a speech to service members and first responders on the anniversary of the terrorist attacks of september 11 2001 president joe Biden falsely claimed that he

what have you done adler and dwyer amazon com - Mar 10 2023

web jul 25 2022 to answer your question either what have you done or what did you do is acceptable however there are many errors in the paragraph you provided here s a

what have you done kindle edition amazon com - Sep 04 2022

web jul 11 2022 what have you done for me lately by warren moscow 1967 prentice hall edition in english

present perfect what did you do have you done in this context - Feb 09 2023

web whatever have you done in the light of my teaching experience an experience of more than quarter of a century it is my observation you will also agree with me that this

september 9 2023 earthquake hits morocco cnn - Oct 25 2021

web sep 11 2023 cnn mgm resorts has shut down some of its systems as a result of a cybersecurity issue according to a company social media post on monday late

fact check biden falsely claims he was at ground zero the next - Feb 14 2021

within temptation what have you done 2007 cd discogs - Feb 26 2022

web honestly jules what have i done besides come up with some answers for this case and not charge you for them □ □□□□

□ □□□□ □□□□□ □□□ □□□□□ □□□ □□□□□ □□□ □□□□ □□□□ □□□□□

what have you done by matthew farrell goodreads - Jul 02 2022

web what have you done book read reviews from world s largest community for readers of child of mine and the daughter of laughter daughter of sun a

tureng what have you done türkçe İngilizce sözlük - Jun 13 2023

web what have you done to me expr bana ne yaptın 5 konuşma what have you done to us expr bize ne yaptınız 6 konuşma

what have you done to me expr bana ne

what have you done what have you been doing - Oct 05 2022

web sep 1 2022 charlie and sarah have been tormented for years fortunately the end is at hand or is it the siblings may have stopped the monstrosity from returning but soon

creative writing what have you done english - May 12 2023

web jul 31 2022 what have you done will almost always be interpreted as an accusation that the person has done something wrong in both cases the speaker is aware of what the

the mgm resorts is operational after cybersecurity issue - Jul 22 2021

web sep 11 2023 white house press secretary karine jean pierre on sunday abruptly ended a news conference with president joe biden in hanoi vietnam at one point taking a

mtv vmas 2023 see the full list of winners cnn - Aug 23 2021

web illustration josie norton for casey shultz the best workspace on earth isn t i am at peak productivity on an airplane said the impact investor from saint paul minn a

tureng what have you done turkish english dictionary - Dec 15 2020

[see the moment Biden press conference ends abruptly in](#) - Apr 18 2021

web Oct 1 2018 with breakneck pacing and a twisting plot what have you done will keep you guessing until its stunning end
eric rickstad new york times bestselling author

[what have you done since i left](#) kindle edition - Dec 27 2021

web Sep 9 2023 old city in Marrakech among areas hit in quake measuring at least 6.8 that centred on the High Atlas mountains a powerful earthquake in Morocco's High Atlas

what have you done Adler and Dwyer kindle edition - Jan 16 2021

what have you done father sur steam - Jun 20 2021

web 1 day ago the Royal College of Nursing said it thought Martha's rule was a step in the right direction and said nurses would have a lot to contribute to developing the system

what have i done reverso context - Nov 25 2021

web Sep 13 2023 yes of course you do Kevin Kane WireImage Getty Images Whitney Port Lauren Conrad Heidi Montag and Audrina Patridge made the hills of MTV come alive

[what have you done English definition grammar](#) - Nov 06 2022

web Mar 14 2007 1 please tell me what is the difference between what have you done and what have you been doing with situations thank you in advance p s i m

[what have you done translation English German](#) - Apr 30 2022

web 13 and Samuel said to Saul you have done foolishly you have not kept the commandment of the Lord your God which he commanded you for now the Lord

Morocco earthquake at least 2 000 dead and thousands more - Sep 23 2021

web titre what have you done father genre aventure développement Darkania Works Édition Darkania Works date de parution 4^e trimestre 2023 voir l'historique des

Tureng what have you done Turkish English dictionary - Jul 14 2023

web English Turkish online dictionary Tureng translate words and terms with different pronunciation options who are you and what have you done with someone eski

pdf epub what have we done download oceanofpdf - Dec 07 2022

web what have you done with the ticket what have you done what have you got in your pocket what have you got there what have you got to lose what have you got to

sentence correction whatever have you done Aliz English - Jan 08 2023

web mar 8 2023 before you start complete what have we done pdf epub by alex finlay download you can read below
technical ebook details full book name what have we

what have you done by cloudedguardian goodreads - Jun 01 2022

web what have you done translation english german deutsch dänisch englisch estnisch finnisch isländisch lettisch litauisch
norwegisch schwedisch phrase vorschlagen

1 samuel 13 11 14 nkjv and samuel said what have you - Mar 30 2022

web what have you done cd maxi single gun sony bmg music entertainment 88697088282 europe 2007 what have you done
cd single promo roadrunner

Fuel your quest for knowledge with Learn from is thought-provoking masterpiece, Dive into the World of **Amana Washing Machine Owners Manual** . This educational ebook, conveniently sized in PDF (PDF Size: *), is a gateway to personal growth and intellectual stimulation. Immerse yourself in the enriching content curated to cater to every eager mind. Download now and embark on a learning journey that promises to expand your horizons. .

https://offsite.creighton.edu/files/virtual-library/Documents/jazz_lead_sheets.pdf

https://offsite.creighton.edu/files/virtual-library/Documents/jailhouse_strong_pdf.pdf

https://offsite.creighton.edu/files/virtual-library/Documents/jackson_eyre_florida.pdf

Table of Contents Amana Washing Machine Owners Manual

1. Understanding the eBook Amana Washing Machine Owners Manual
 - The Rise of Digital Reading Amana Washing Machine Owners Manual
 - Advantages of eBooks Over Traditional Books
2. Identifying Amana Washing Machine Owners Manual
 - Exploring Different Genres
 - Considering Fiction vs. Non-Fiction
 - Determining Your Reading Goals
3. Choosing the Right eBook Platform
 - Popular eBook Platforms
 - Features to Look for in an Amana Washing Machine Owners Manual
 - User-Friendly Interface
4. Exploring eBook Recommendations from Amana Washing Machine Owners Manual
 - Personalized Recommendations

- Amana Washing Machine Owners Manual User Reviews and Ratings
- Amana Washing Machine Owners Manual and Bestseller Lists
- 5. Accessing Amana Washing Machine Owners Manual Free and Paid eBooks
 - Amana Washing Machine Owners Manual Public Domain eBooks
 - Amana Washing Machine Owners Manual eBook Subscription Services
 - Amana Washing Machine Owners Manual Budget-Friendly Options
- 6. Navigating Amana Washing Machine Owners Manual eBook Formats
 - ePub, PDF, MOBI, and More
 - Amana Washing Machine Owners Manual Compatibility with Devices
 - Amana Washing Machine Owners Manual Enhanced eBook Features
- 7. Enhancing Your Reading Experience
 - Adjustable Fonts and Text Sizes of Amana Washing Machine Owners Manual
 - Highlighting and Note-Taking Amana Washing Machine Owners Manual
 - Interactive Elements Amana Washing Machine Owners Manual
- 8. Staying Engaged with Amana Washing Machine Owners Manual
 - Joining Online Reading Communities
 - Participating in Virtual Book Clubs
 - Following Authors and Publishers Amana Washing Machine Owners Manual
- 9. Balancing eBooks and Physical Books Amana Washing Machine Owners Manual
 - Benefits of a Digital Library
 - Creating a Diverse Reading Collection Amana Washing Machine Owners Manual
- 10. Overcoming Reading Challenges
 - Dealing with Digital Eye Strain
 - Minimizing Distractions
 - Managing Screen Time
- 11. Cultivating a Reading Routine Amana Washing Machine Owners Manual
 - Setting Reading Goals Amana Washing Machine Owners Manual
 - Carving Out Dedicated Reading Time
- 12. Sourcing Reliable Information of Amana Washing Machine Owners Manual
 - Fact-Checking eBook Content of Amana Washing Machine Owners Manual

- Distinguishing Credible Sources
- 13. Promoting Lifelong Learning
 - Utilizing eBooks for Skill Development
 - Exploring Educational eBooks
- 14. Embracing eBook Trends
 - Integration of Multimedia Elements
 - Interactive and Gamified eBooks

Amana Washing Machine Owners Manual Introduction

In the digital age, access to information has become easier than ever before. The ability to download Amana Washing Machine Owners Manual has revolutionized the way we consume written content. Whether you are a student looking for course material, an avid reader searching for your next favorite book, or a professional seeking research papers, the option to download Amana Washing Machine Owners Manual has opened up a world of possibilities. Downloading Amana Washing Machine Owners Manual provides numerous advantages over physical copies of books and documents. Firstly, it is incredibly convenient. Gone are the days of carrying around heavy textbooks or bulky folders filled with papers. With the click of a button, you can gain immediate access to valuable resources on any device. This convenience allows for efficient studying, researching, and reading on the go. Moreover, the cost-effective nature of downloading Amana Washing Machine Owners Manual has democratized knowledge. Traditional books and academic journals can be expensive, making it difficult for individuals with limited financial resources to access information. By offering free PDF downloads, publishers and authors are enabling a wider audience to benefit from their work. This inclusivity promotes equal opportunities for learning and personal growth. There are numerous websites and platforms where individuals can download Amana Washing Machine Owners Manual. These websites range from academic databases offering research papers and journals to online libraries with an expansive collection of books from various genres. Many authors and publishers also upload their work to specific websites, granting readers access to their content without any charge. These platforms not only provide access to existing literature but also serve as an excellent platform for undiscovered authors to share their work with the world. However, it is essential to be cautious while downloading Amana Washing Machine Owners Manual. Some websites may offer pirated or illegally obtained copies of copyrighted material. Engaging in such activities not only violates copyright laws but also undermines the efforts of authors, publishers, and researchers. To ensure ethical downloading, it is advisable to utilize reputable websites that prioritize the legal distribution of content. When downloading Amana Washing Machine Owners Manual, users should also consider the potential security risks associated with online platforms. Malicious actors may exploit

vulnerabilities in unprotected websites to distribute malware or steal personal information. To protect themselves, individuals should ensure their devices have reliable antivirus software installed and validate the legitimacy of the websites they are downloading from. In conclusion, the ability to download Amana Washing Machine Owners Manual has transformed the way we access information. With the convenience, cost-effectiveness, and accessibility it offers, free PDF downloads have become a popular choice for students, researchers, and book lovers worldwide. However, it is crucial to engage in ethical downloading practices and prioritize personal security when utilizing online platforms. By doing so, individuals can make the most of the vast array of free PDF resources available and embark on a journey of continuous learning and intellectual growth.

FAQs About Amana Washing Machine Owners Manual Books

What is a Amana Washing Machine Owners Manual PDF? A PDF (Portable Document Format) is a file format developed by Adobe that preserves the layout and formatting of a document, regardless of the software, hardware, or operating system used to view or print it. **How do I create a Amana Washing Machine Owners Manual PDF?** There are several ways to create a PDF: Use software like Adobe Acrobat, Microsoft Word, or Google Docs, which often have built-in PDF creation tools. Print to PDF: Many applications and operating systems have a "Print to PDF" option that allows you to save a document as a PDF file instead of printing it on paper. Online converters: There are various online tools that can convert different file types to PDF. **How do I edit a Amana Washing Machine Owners Manual PDF?** Editing a PDF can be done with software like Adobe Acrobat, which allows direct editing of text, images, and other elements within the PDF. Some free tools, like PDFescape or Smallpdf, also offer basic editing capabilities. **How do I convert a Amana Washing Machine Owners Manual PDF to another file format?** There are multiple ways to convert a PDF to another format: Use online converters like Smallpdf, Zamzar, or Adobe Acrobats export feature to convert PDFs to formats like Word, Excel, JPEG, etc. Software like Adobe Acrobat, Microsoft Word, or other PDF editors may have options to export or save PDFs in different formats. **How do I password-protect a Amana Washing Machine Owners Manual PDF?** Most PDF editing software allows you to add password protection. In Adobe Acrobat, for instance, you can go to "File" -> "Properties" -> "Security" to set a password to restrict access or editing capabilities. Are there any free alternatives to Adobe Acrobat for working with PDFs? Yes, there are many free alternatives for working with PDFs, such as: LibreOffice: Offers PDF editing features. PDFsam: Allows splitting, merging, and editing PDFs. Foxit Reader: Provides basic PDF viewing and editing capabilities. How do I compress a PDF file? You can use online tools like Smallpdf, ILovePDF, or desktop software like Adobe Acrobat to compress PDF files without significant quality loss. Compression reduces the file size, making it easier to share and download. Can I fill out forms in a

PDF file? Yes, most PDF viewers/editors like Adobe Acrobat, Preview (on Mac), or various online tools allow you to fill out forms in PDF files by selecting text fields and entering information. Are there any restrictions when working with PDFs? Some PDFs might have restrictions set by their creator, such as password protection, editing restrictions, or print restrictions. Breaking these restrictions might require specific software or tools, which may or may not be legal depending on the circumstances and local laws.

Find Amana Washing Machine Owners Manual :

jazz lead sheets

[jailhouse strong pdf](#)

jackson eyre florida

[it's all under control bible study pdf](#)

jane austen timeline

is sikhism universal or ethnic

[is there a part 2 to darkest minds](#)

[is donna tartt married](#)

is paddington 2 a christmas movie

is lagna and moon sign same

jackie kennedy meets the queen

~~[jazz exercises for piano](#)~~

[jake y los piratas de nunca jamás](#)

[jan spiller goddess oracle](#)

is vrv safe

Amana Washing Machine Owners Manual :