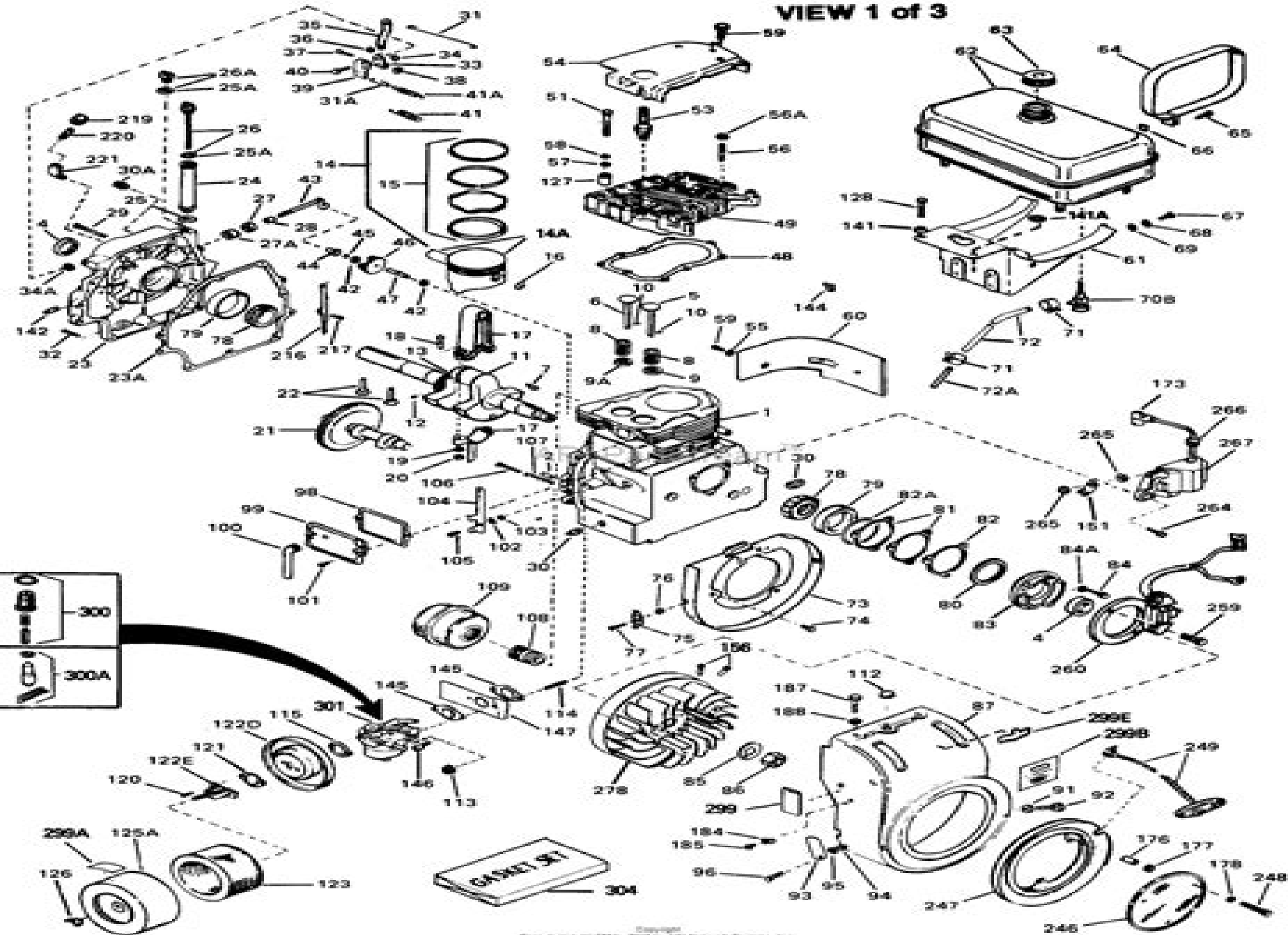


VIEW 1 of 3



Tecumseh Engines Parts List

**Wisconsin Motor, Wisconsin Motor
Engines, Milwaukee (Wis.)**

Tecumseh Engines Parts List

[programme de la classe terminale des séries es et l histoire et](#) - Sep 05 2023

web en classe terminale des séries es et l l histoire et la géographie font partie des enseignements obligatoires les programmes de cette classe identiques pour les deux séries donnent des clés pour une lecture historique et

révisions bac histoire lumni - Jan 29 2023

web quiz vidéos articles révisez vos connaissances du programme d histoire de terminale contrôle continu et coefficient au bac l histoire géographie est une matière du tronc commun de l enseignement évaluée en contrôle continu et dotée d un coefficient 6 3 en première 3 en terminale

fiche ressources éducol en histoire géographie en - Feb 15 2022

web les programmes d histoire géographie en baccalauréat professionnel ont été publiés au bo spécial n 5 du 11 avril 2019 ils entrent en vigueur à la rentrée 2019 en seconde professionnelle à la rentrée 2020 en première professionnelle et à la rentrée 2021 en terminale professionnelle

[sujets e3c 2021 histoire géographie général en classe de terminale au bac 2](#) - Mar 19 2022

web 2021 pour l épreuve histoire géographie hg voie générale en classe de terminale e3c3 au bac général les sujets sont classés selon les thèmes et chapitres du programme auxquels ils font référence pour le bac 2021

[sujets e3c 2021 histoire géographie général en classe de terminale au bac](#) - Oct 06 2023

web cette page rassemble les sujets e3c de l année 2021 pour l épreuve histoire géographie hg voie générale en classe de terminale e3c3 au bac général les sujets sont classés selon les thèmes et chapitres du programme auxquels ils font référence pour le bac 2021

terminale annales et corrigés du bac d histoire géographie - Apr 19 2022

web le bac d histoire géographie en terminale demande une préparation méthodique en effet les attentes des correcteurs sont souvent différentes des exercices réalisés en cours de plus s entraîner via des annales permet de développer ses automatismes et sa culture historique et géographique utile pour la poursuite d étude

cours et programme d histoire géographie de terminale générale - Jul 23 2022

web révisez vos cours d histoire géographie de terminale générale avec annabac fiches de cours annales corrigées exercices et vidéos programmes officiels de l Éducation nationale

sujet e3c n 05661 du bac histoire géographie général terminale - Sep 24 2022

web sujet officiel complet e3c n 05661 pour l'épreuve du bac histoire géographie général classe de terminale keywords sujet officiel complet bac e3c histoire géographie général terminale n 05661 gtchige05661 annale pdf gratuit baccalauréat sujetdebac sujetdebac fr created date 2 24 2021 2 32 04 pm

[prépac histoire géographie tle générale bac 2023](#) - Jun 02 2023

web un outil de travail complet et efficace conforme au nouveau programme d'histoire géographie enseignement du tronc commun en tle générale de nombreuses ressources le cours les méthodes clés exercices et sujets pour vous accompagner tout au long de votre terminale

sujet hg n 05511 004 gtchige05511 ec 2021 ccbac fr - Jun 21 2022

web voie générale terminale hg sujet 05511 004 sujet calculatrice interdite référence gtchige05511 matière histoire géographie session 2021 epreuves de terminale source quandjepasselebac education fr parties 2 question problématisée etude de document s document gtchige05511 sujet4 pdf 955 6 kio 3 pages

sujet e3c n 05516 du bac histoire géographie général terminale - Oct 26 2022

web sujet e3c n 05516 du bac histoire géographie général terminale page 1 5 Évaluations communes classe terminale ec ec1 ec2 ec3 voie générale technologique toutes voies lv enseignement histoire géographie

[programme d'histoire géographie en terminale es](#) - Aug 04 2023

web découvrez le contenu officiel et les caractéristiques du programme d'histoire géographie en terminale es et soyez prêts pour le bac cours particuliers stages intensifs

ebook pra c pabac histoire ga c ographie terminale l es - Jul 03 2023

web pra c pabac histoire ga c ographie terminale l es histoire géographie terminale nouveaux programmes nov 28 2022

parce que la méthodologie est essentielle pour réussir avec succès ses épreuves du baccalauréat et que la réforme mise en place au lycée vise un parcours de l'élève de la classe

[cours d'histoire géographie terminale générale super bac](#) - May 21 2022

web fiches d'histoire géographie terminale générale à télécharger pour les e3c du bac 2023 ces cours d'histoire géo rédigés par des professeurs certifiés sont conformes à la réforme du bac

[free pdf download blocs fiches abc bac ga c ographie terminales l e](#) - Aug 24 2022

web fiches bac géographie tle l es apr 01 2022 fiches de cours et quiz d'évaluation un outil de révision 100 efficace pour préparer l'épreuve d'histoire géographie du bac l et es l essentiel du programme en 46 fiches claires et visuelles des fiches de cours pour réviser des fiches récap express pour fixer ses

programme d'histoire géographie de terminale générale éducol - Nov 26 2022

web programme d'histoire géographie de terminale générale sommaire préambule l'histoire et la géographie au lycée

capacités travaillées et méthodes acquises en histoire et en géographie histoire l enseignement de l histoire au lycée classe terminale les relations entre les puissances et l opposition

histoire géographie tle l es s prépac entraînement - Feb 27 2023

web objectif filières sélectives terminale l es s histoire géographie tle l es s prépac entraînement intensif geraldine demagny florence holstein gérard pointereau hatier des milliers de livres avec la livraison chez vous en 1 jour ou en magasin avec

sujet e3c n 05517 du bac histoire géographie général terminale - Dec 28 2022

web sujet officiel complet e3c n 05517 pour l épreuve du bac histoire géographie général classe de terminale keywords sujet officiel complet bac e3c histoire géographie général terminale n 05517 gtchige05517 annale pdf gratuit baccalauréat sujetdebac sujetdebac fr created date 2 24 2021 10 12 10 am

l épreuve d histoire géographie au bac en terminale l es - May 01 2023

web l épreuve d histoire géographie au bac en terminale l es fiche de révision de histoire géo tle es sur annabac com site de référence

histoire géographie tle l es amazon fr - Mar 31 2023

web histoire géographie tle l es prépac réussir l examen fiches de cours et sujets de bac corrigés terminale es l vanacore anne gintrac cécile mendola

wild animals coloring book zendoodle designs advanced coloring - Jan 31 2023

web sep 25 2018 wild animals coloring book zendoodle designs advanced coloring book for boys girls older kids teenagers tweens adults any age wild cats lions tigers and more stress relief relaxation art therapy coloring 9781641261258 amazon com books 5 0 out of 5 stars

wild animals coloring pages 70 images free printable - Dec 30 2022

web children s coloring wild animals great collection raccoon gargle chanterelle the squirrel brought home to eat rhino and pair of clouds coloring page two wolf cubs on top of a mountain with a beautiful forest view llama in its natural habitat 4 wild animals in one coloring teddy bears playing under the tree lone wolf

coloring books for boys wild animals advanced col pdf - Aug 26 2022

web apr 22 2023 as this coloring books for boys wild animals advanced col it ends up instinctive one of the favored books coloring books for boys wild animals advanced col collections that we have this is why you remain in the best website to see the unbelievable book to have tiger coloring book tim astana 2020 10 07 discover this coloring book

coloring books for boys wild animals advanced coloring - Jul 05 2023

web nov 18 2017 coloring books for boys wild animals advanced coloring pages for teenagers tweens older kids boys

zendoodle animal designs lions tigers wolves gorillas bears raptors more art therapy meditation practice for stress relief
coloring books for boys cool animals for boys aged 6 12 the - Sep 26 2022

web sep 6 2019 this action packed coloring book has taken the coolest animals in the world and turned them into fantastically fun creative coloring pages that have been specially designed to give kids an interesting exciting and super fun coloring experience that lasts a long time providing hours of coloring fun hand illustrated cool coloring pages that
[coloring books for boys wild animals advanced col pdf](#) - Apr 21 2022

web jun 30 2023 coloring books for boys wild animals advanced col 1 1 downloaded from uniport edu ng on june 30 2023 by guest coloring books for boys wild animals advanced col as recognized adventure as capably as experience more or less lesson amusement as skillfully as conformity can be gotten by just checking out a
free printable wild animals coloring pages for kids - May 23 2022

web sep 25 2023 gbcoloring offers a wide variety of free printable wild animal coloring pages from fierce predators like tigers and bears to cute and cuddly animals like pandas and koalas there s something for everyone these coloring pages are easy to download and print making them a great activity for kids of all ages
coloring books for boys wild animals advanced col pdf copy - Feb 17 2022

web merely said the coloring books for boys wild animals advanced col pdf is universally compatible in imitation of any devices to read paperbound books in print 1991 critter litter stan tekiela 2016 03 01 critter litter see what critters leave behind is a mom s choice awards r gold recipient mom s choice
[coloring books for boys wild animals advanced col download](#) - Aug 06 2023

web coloring books for boys wild animals advanced col duran duran aug 15 2022 duran duran illustrated colour biography the boy from the wild nov 18 2022 an inspiring true story of a boy who grew up on an african safari reserve peter meyer s idyllic childhood was spent running wild in the bush with zulu friends and wild animals his
animals coloring pages super coloring - May 03 2023

web realistic images of wild animals and mythical carousel favorites are more intricate suiting older kids and adults from the beach to desert from the circus to the sea from jungle to zoo from india to mexico from american rainforest to european lakes from wildlife to dinosaurs we have all different animals to color and even more
realistic wild animal coloring pages getcolorings com - Mar 01 2023

web 40 realistic wild animal coloring pages for printing and coloring you can use our amazing online tool to color and edit the following realistic wild animal coloring pages search through 623 989 free printable colorings at getcolorings most downloadssizepopular views 3053images 40downloads 1812likes 1613 like jpg
wild animals coloring pages fun educational for kids - Nov 28 2022

web nov 1 2023 from lions and tigers to elephants and giraffes the diversity of wild animals is vast and awe inspiring coloring pages featuring wild animals can provide a fun and educational activity for kids allowing them to learn about different species while expressing their creativity through coloring

coloring pages of wild animals coloring home - Mar 21 2022

web download and print these of wild animals coloring pages for free printable of wild animals coloring pages are a fun way for kids of all ages to develop creativity focus motor skills and color recognition popular comments leave your comment recommended albums my little pony elemental paw patrol peppa pig bluey fortnite

coloring books for boys wild animals advanced col pdf pdf - Jul 25 2022

web we have included loveable farm animals wild jungle animals mysterious animals of the sea and many more imagine yourself coloring an untamed horse running on the plains an adorable squirrel climbing a tree and a tropical fish swimming in the ocean

wild animal coloring pages at getcolorings com free printable - Oct 28 2022

web 37 wild animal coloring pages for printing and coloring you can use our amazing online tool to color and edit the following wild animal coloring pages search through 623 989 free printable colorings at getcolorings

coloring books for boys wild animals advanced coloring - Jun 04 2023

web abebooks com coloring books for boys wild animals advanced coloring pages for teenagers tweens older kids boys zendoodle animal designs lions tigers practice for stress relief relaxation 9781641260886 by art therapy coloring and a great selection of similar new used and collectible books available now at great prices

deers coloring pages free coloring pages - Apr 02 2023

web home coloring pages mammals deers deers coloring pages deer family include white tailed deer mule deer or black tailed deer elk moose red deer reindeer caribou fallow deer roe deer and chital moose deer reindeer moose zentangle christmas deer abstract deer christmas reindeer caribou deer

wild animals coloring pages free printable pictures - Sep 07 2023

web take your imagination to a new realistic level choose a coloring page that best fits your aspiration you can find here hard and detailed patterns advanced animal drawings simple colorings or easy outlines

coloring books for boys wild animals advanced col pdf pdf - Jun 23 2022

web jun 20 2023 animals advanced col pdf most likely you have knowledge that people have see numerous times for their favorite books in imitation of this coloring books for boys wild animals advanced col pdf but end taking place in harmful downloads

coloring books for boys wild animals advanced coloring - Oct 08 2023

web nov 18 2017 coloring books for boys wild animals advanced coloring pages for teenagers tweens older kids boys zendoodle animal designs lions tigers practice for stress relief relaxation art therapy coloring 9781641260886 amazon com books

50 bible trivia questions and answers bible study tips - Jan 14 2022

web bible trivia questions challenge yourself with thousands of original bible trivia questions sort trivia by difficulty category subject or book select difficulty all

mark bible trivia questions and answers page 4 new - Dec 13 2021

the gospel of mark bible trivia avg score 71 8 - Nov 23 2022

web 9 who were the first two disciples jesus called according to mark 1 simon and andrew mark 1 16 10 where were simon and andrew when jesus asked them to follow him

300 bible trivia questions with answers parade - Dec 25 2022

web trivia the gospel of mark bible trivia the gospel of mark bible quiz 24013 attempts at this bible trivia quiz with an average score of 71 8

110 mark bible trivia questions answers and fun facts - Aug 01 2023

web here are 20 quiz questions from the book of mark along with their answers question 1 in mark 1 1 who is identified as the writer of the book answer mark john mark

50 mark bible quiz questions for youth programs with answers - Feb 24 2023

web jun 24 2023 how well do you know the book of mark it is the second of the four gospel books the bible quiz for youth below will show how much you know about the book of

100 bible trivia questions answers the new testament - Apr 16 2022

web answer father interesting information although not david s second son solomon was the second child of david and bathsheba david had bathsheba s husband uriah killed and

bible quiz questions on marks gospel saintmarks - May 18 2022

web oct 31 2023 in the bible mark is the last of the four gospels answer false mark is the second book of the gospels although it was probably the first of them to be written his

10 gospel of mark quizzes questions answers - Jul 20 2022

web bible quiz questions on marks gospel round 1 1 in the parable of the sower what do the seeds represent answer the word of god 2 in the parable of the sower what

19 930 bible trivia questions and answers 2023 edition - Feb 12 2022

web oct 26 2023 this category is for trivia questions and answers related to mark bible religion each one is filled with fun facts and interesting information there are 113

110 mark bible trivia questions answers and fun facts new - May 30 2023

web jun 15 2023 over 110 trivia questions and responds about mark bible include our novel testament choose did you know these fun bit of trivia and captivating bits of

mark quiz on chapters 1 8 doing good - Apr 28 2023

web mark quiz on chapters 1 8 this is a self test on chapters 1 8 of the book of mark before you attempt to answer the questions below you should read these chapters in

mark quiz by chapter salvationcall - Jan 26 2023

web all quizzes from the gospel according to mark the questions are set per chapter from chapter 1 to chapter 16 click to take the quizzes

comprehensive bible quiz mark chapter 1 5 mcq question and - Mar 28 2023

web oct 16 2023 this bible quiz mark chapter 1 5 to features 20 thought provoking questions carefully crafted to cover these first five chapters in the book of mark each

bible quiz mark greek orthodox archdiocese of america - Oct 23 2022

web you can also download the questions or use the reading plan on the bible app mark 1 1 15 what do we learn about john the baptist how does john prepare the way for jesus

gospel of mark biblequizzes org bible trivia - Jun 18 2022

web jul 20 2023 bible trivia answers 1 judas iscarriot mark 14 10 21 2 titus titus 1 4 3 paul 2 corinthians 12 10 4 jesus luke 12 39 5 john the baptist matthew 11 2 3 6

bible study questions on the gospel of mark - Jun 30 2023

web assignments on mark 2 please read mark 2 and answer the following questions 1 what disease did the man have who was brought to jesus 2 1 4 what problem did the men

mark s gospel bible study questions in easy english - Aug 21 2022

web mark jeremiah daniel isaiah hosea 2 in whose house did jesus dine with publicans and sinners peter john levi judas 3 on what day did the disciples pluck ears of corn

50 bible quiz questions from the book of mark with answers - Sep 02 2023

q1 the high priest mark 14 61 q2 be opened mark 7 34 q3 condemned mark 16 16 q4 james and john mark 3 17 q5 12 mark 5 25 q6 judas iscarriot mark 14 10 q7 sinners mark 2 17 q8 head of see more

bible trivia questions king james bible online - Nov 11 2021

20 fun mark bible trivia questions and answers with verses - Oct 03 2023

we hope that you have been blessed and learnt something from our collection of fun bible quiz questions on the book of mark bible trivia questions keep checking back for more fun see more

questions for mark howto bible - Sep 21 2022

web about these questions these are questions on the biblical text of mark s gospel we hope that these questions will help you to understand the text we also want to help you

the gospel of mark quiz new testament 10 questions fun - Mar 16 2022

web jun 26 2023 here are 50 bible trivia questions to quiz your bible knowledge about the old and new testaments

Embracing the Melody of Phrase: An Mental Symphony within **Tecumseh Engines Parts List**

In some sort of used by screens and the ceaseless chatter of instant conversation, the melodic elegance and emotional symphony produced by the published word usually diminish in to the backdrop, eclipsed by the relentless sound and disruptions that permeate our lives. However, located within the pages of **Tecumseh Engines Parts List** a marvelous literary prize overflowing with organic thoughts, lies an immersive symphony waiting to be embraced. Crafted by a wonderful composer of language, that captivating masterpiece conducts visitors on a psychological journey, well unraveling the concealed tunes and profound impact resonating within each carefully constructed phrase. Within the depths with this poignant review, we shall explore the book is central harmonies, analyze their enthralling publishing model, and surrender ourselves to the profound resonance that echoes in the depths of readers souls.

https://offsite.creighton.edu/files/virtual-library/Documents/kenny_king_flutes.pdf

https://offsite.creighton.edu/files/virtual-library/Documents/king_solomon_demon_book.pdf

https://offsite.creighton.edu/files/virtual-library/Documents/khan_academy_cfa.pdf

Table of Contents Tecumseh Engines Parts List

1. Understanding the eBook Tecumseh Engines Parts List
 - The Rise of Digital Reading Tecumseh Engines Parts List
 - Advantages of eBooks Over Traditional Books
2. Identifying Tecumseh Engines Parts List
 - Exploring Different Genres
 - Considering Fiction vs. Non-Fiction
 - Determining Your Reading Goals

3. Choosing the Right eBook Platform
 - Popular eBook Platforms
 - Features to Look for in an Tecumseh Engines Parts List
 - User-Friendly Interface
4. Exploring eBook Recommendations from Tecumseh Engines Parts List
 - Personalized Recommendations
 - Tecumseh Engines Parts List User Reviews and Ratings
 - Tecumseh Engines Parts List and Bestseller Lists
5. Accessing Tecumseh Engines Parts List Free and Paid eBooks
 - Tecumseh Engines Parts List Public Domain eBooks
 - Tecumseh Engines Parts List eBook Subscription Services
 - Tecumseh Engines Parts List Budget-Friendly Options
6. Navigating Tecumseh Engines Parts List eBook Formats
 - ePub, PDF, MOBI, and More
 - Tecumseh Engines Parts List Compatibility with Devices
 - Tecumseh Engines Parts List Enhanced eBook Features
7. Enhancing Your Reading Experience
 - Adjustable Fonts and Text Sizes of Tecumseh Engines Parts List
 - Highlighting and Note-Taking Tecumseh Engines Parts List
 - Interactive Elements Tecumseh Engines Parts List
8. Staying Engaged with Tecumseh Engines Parts List
 - Joining Online Reading Communities
 - Participating in Virtual Book Clubs
 - Following Authors and Publishers Tecumseh Engines Parts List
9. Balancing eBooks and Physical Books Tecumseh Engines Parts List
 - Benefits of a Digital Library
 - Creating a Diverse Reading Collection Tecumseh Engines Parts List
10. Overcoming Reading Challenges
 - Dealing with Digital Eye Strain
 - Minimizing Distractions

- Managing Screen Time
- 11. Cultivating a Reading Routine Tecumseh Engines Parts List
 - Setting Reading Goals Tecumseh Engines Parts List
 - Carving Out Dedicated Reading Time
- 12. Sourcing Reliable Information of Tecumseh Engines Parts List
 - Fact-Checking eBook Content of Tecumseh Engines Parts List
 - Distinguishing Credible Sources
- 13. Promoting Lifelong Learning
 - Utilizing eBooks for Skill Development
 - Exploring Educational eBooks
- 14. Embracing eBook Trends
 - Integration of Multimedia Elements
 - Interactive and Gamified eBooks

Tecumseh Engines Parts List Introduction

Tecumseh Engines Parts List Offers over 60,000 free eBooks, including many classics that are in the public domain. Open Library: Provides access to over 1 million free eBooks, including classic literature and contemporary works. Tecumseh Engines Parts List Offers a vast collection of books, some of which are available for free as PDF downloads, particularly older books in the public domain. Tecumseh Engines Parts List : This website hosts a vast collection of scientific articles, books, and textbooks. While it operates in a legal gray area due to copyright issues, its a popular resource for finding various publications. Internet Archive for Tecumseh Engines Parts List : Has an extensive collection of digital content, including books, articles, videos, and more. It has a massive library of free downloadable books. Free-eBooks Tecumseh Engines Parts List Offers a diverse range of free eBooks across various genres. Tecumseh Engines Parts List Focuses mainly on educational books, textbooks, and business books. It offers free PDF downloads for educational purposes. Tecumseh Engines Parts List Provides a large selection of free eBooks in different genres, which are available for download in various formats, including PDF. Finding specific Tecumseh Engines Parts List, especially related to Tecumseh Engines Parts List, might be challenging as theyre often artistic creations rather than practical blueprints. However, you can explore the following steps to search for or create your own Online Searches: Look for websites, forums, or blogs dedicated to Tecumseh Engines Parts List, Sometimes enthusiasts share their designs or concepts in PDF format. Books and Magazines Some Tecumseh Engines Parts List books or magazines might include. Look for these in online stores or libraries. Remember that while Tecumseh Engines

Parts List, sharing copyrighted material without permission is not legal. Always ensure you're either creating your own or obtaining them from legitimate sources that allow sharing and downloading. Library Check if your local library offers eBook lending services. Many libraries have digital catalogs where you can borrow Tecumseh Engines Parts List eBooks for free, including popular titles. Online Retailers: Websites like Amazon, Google Books, or Apple Books often sell eBooks. Sometimes, authors or publishers offer promotions or free periods for certain books. Authors Website Occasionally, authors provide excerpts or short stories for free on their websites. While this might not be the Tecumseh Engines Parts List full book, it can give you a taste of the authors writing style. Subscription Services Platforms like Kindle Unlimited or Scribd offer subscription-based access to a wide range of Tecumseh Engines Parts List eBooks, including some popular titles.

FAQs About Tecumseh Engines Parts List Books

What is a Tecumseh Engines Parts List PDF? A PDF (Portable Document Format) is a file format developed by Adobe that preserves the layout and formatting of a document, regardless of the software, hardware, or operating system used to view or print it. **How do I create a Tecumseh Engines Parts List PDF?** There are several ways to create a PDF: Use software like Adobe Acrobat, Microsoft Word, or Google Docs, which often have built-in PDF creation tools. Print to PDF: Many applications and operating systems have a "Print to PDF" option that allows you to save a document as a PDF file instead of printing it on paper. Online converters: There are various online tools that can convert different file types to PDF. **How do I edit a Tecumseh Engines Parts List PDF?** Editing a PDF can be done with software like Adobe Acrobat, which allows direct editing of text, images, and other elements within the PDF. Some free tools, like PDFescape or Smallpdf, also offer basic editing capabilities. **How do I convert a Tecumseh Engines Parts List PDF to another file format?** There are multiple ways to convert a PDF to another format: Use online converters like Smallpdf, Zamzar, or Adobe Acrobats export feature to convert PDFs to formats like Word, Excel, JPEG, etc. Software like Adobe Acrobat, Microsoft Word, or other PDF editors may have options to export or save PDFs in different formats. **How do I password-protect a Tecumseh Engines Parts List PDF?** Most PDF editing software allows you to add password protection. In Adobe Acrobat, for instance, you can go to "File" -> "Properties" -> "Security" to set a password to restrict access or editing capabilities. Are there any free alternatives to Adobe Acrobat for working with PDFs? Yes, there are many free alternatives for working with PDFs, such as: LibreOffice: Offers PDF editing features. PDFsam: Allows splitting, merging, and editing PDFs. Foxit Reader: Provides basic PDF viewing and editing capabilities. How do I compress a PDF file? You can use online tools like Smallpdf, ILovePDF, or desktop software like Adobe Acrobat to compress PDF files without significant quality loss. Compression reduces the file size, making it easier to share and download. Can I fill out forms in a PDF file? Yes, most PDF viewers/editors like Adobe Acrobat,

Preview (on Mac), or various online tools allow you to fill out forms in PDF files by selecting text fields and entering information. Are there any restrictions when working with PDFs? Some PDFs might have restrictions set by their creator, such as password protection, editing restrictions, or print restrictions. Breaking these restrictions might require specific software or tools, which may or may not be legal depending on the circumstances and local laws.

Find Tecumseh Engines Parts List :

[kenny king flutes](#)

king solomon demon book

khan academy cfa

king size manger chords

kevin mcurdy christmas

[krampus haunted house chicago](#)

kitchen banana yoshimoto summary

kindergarten awards ceremony

kumon reviews 2022

kumon f level math

king of kings piano

knit headband patterns

[kindergarten opinion writing](#)

[ladder logic diagrams](#)

lab p 3 graph analysis answer key

Tecumseh Engines Parts List :