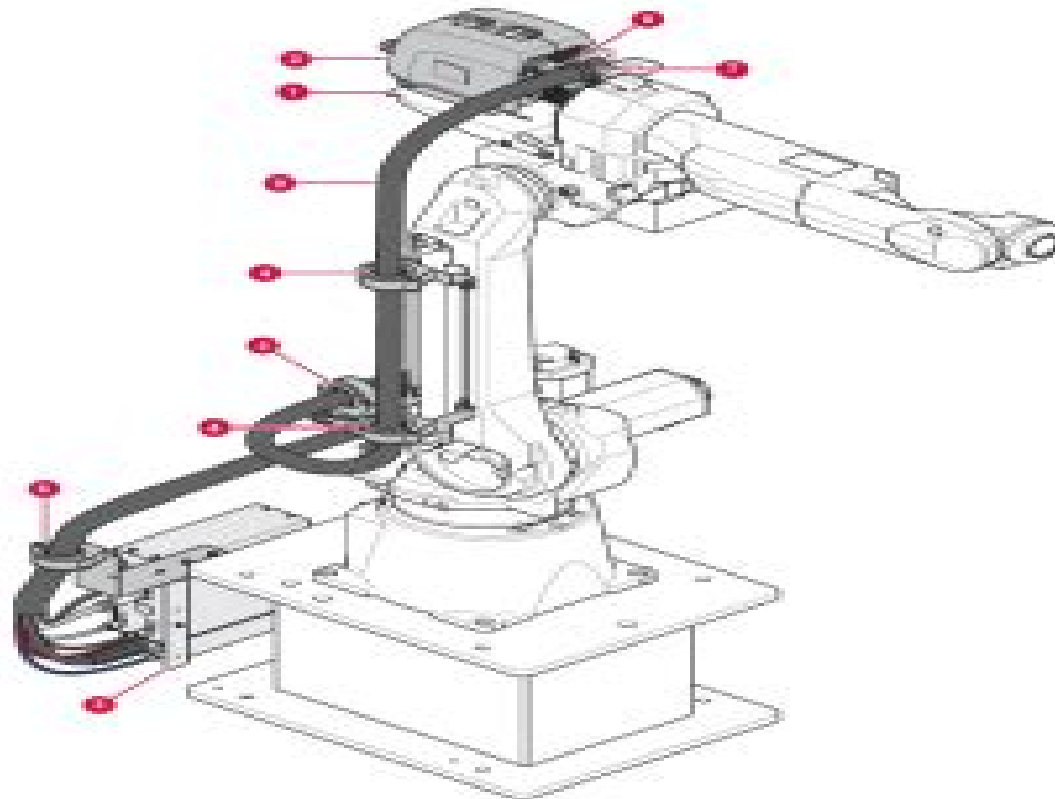




Fanuc ArcMate 120iC RoboFeed 3004HW



Assembly instruction

Fanuc Arc Mate 120 User Manual

Tom Scanlan



Fanuc Arc Mate 120 User Manual

The Specifications and Applications of Industrial Robots in Japan, 1997 *Collaborative Engineering* Ali K. Kamrani, Emad Abouel Nasr, 2008-07-08 This superb study offers insights into the methods and techniques that enable the implementation of a Collaborative Engineering concept on product design It does so by integrating capabilities for intelligent information support and group decision making utilizing a common enterprise network model and knowledge interface through shared ontologies The book is also a collection of the latest applied methods and technology from selected experts in this area

Proceedings of the 42nd International Conference on Advanced Ceramics and Composites, Ceramic Engineering and Science Proceedings Jonathan Salem, Dietmar Koch, Peter Mechnich, Mihails Kusnezoff, Narottam P. Bansal, Jerry C. LaSalvia, Palani Balaya, Zhengyi Fu, Tatsuki Ohji, 2018-11-27 Proceeding of the 42nd International Conference on Advanced Ceramics and Composites Ceramic Engineering and Science Proceedings Volume 39 Issue 2 2018 Jonathan Salem Dietmar Koch Peter Mechnich Mihails Kusnezoff Narottam Bansal Jerry LaSalvia Palani Balaya Zhengyi Fu and Tatsuki Ohji Editors Valerie Wiesner and Manabu Fukushima Volume Editors This proceedings contains a collection of 25 papers from The American Ceramic Society's 41st International Conference on Advanced Ceramics and Composites held in Daytona Beach Florida January 21-26 2018 This issue includes papers presented in the following symposia Symposium 1 Mechanical Behavior and Performance of Ceramics and Composites Symposium 2 Advanced Ceramic Coatings for Structural Environmental and Functional Applications Symposium 3 15th International Symposium on Solid Oxide Fuel Cells SOFC Symposium 4 Armor Ceramics Challenges and New Developments Symposium 6 Advanced Materials and Technologies for Direct Thermal Energy Conversion and Rechargeable Energy Storage Symposium 8 12th International Symposium on Advanced Processing Manufacturing *Advances in Solid Oxide Fuel Cells IX, Volume 34, Issue 4* Narottam P. Bansal, Mihails Kusnezoff, 2013-11-26 Ceramic Engineering and Science Proceedings Volume 34 Issue 4 *Advances in Solid Oxide Fuel Cells IX* A collection of 13 papers from The American Ceramic Society's 37th International Conference on Advanced Ceramics and Composites held in Daytona Beach Florida January 27-February 1 2013 This issue includes papers presented in Symposium 3 10th International Symposium on Solid Oxide Fuel Cells Materials Science and Technology

Advances in Solid Oxide Fuel Cells X, Volume 35, Issue 3 Mihails Kusnezoff, Narottam P. Bansal, 2014-12-23 This issue contains 13 papers from The American Ceramic Society's 38th International Conference on Advanced Ceramics and Composites held in Daytona Beach Florida January 26-31 2014 presented in Symposium 3 12th International Symposium on Solid Oxide Fuel Cells Materials Science and Technology

[March 2022 - Surplus Record Machinery & Equipment Directory](#) Surplus Record, 2022-03-01 SURPLUS RECORD is the leading independent business directory of new and used capital equipment machine tools machinery and industrial equipment listing over 95 000 industrial assets including

metalworking and fabricating machine tools chemical and process equipment cranes air compressors pumps motors circuit breakers generators transformers turbines and more Over 1 100 businesses list with the SURPLUS RECORD March 2022 issue Vol 99 No 3 *Enabling Manufacturing Competitiveness and Economic Sustainability* Michael F. Zaeh,2013-09-12 The changing manufacturing environment requires more responsive and adaptable manufacturing systems The theme of the 5th International Conference on Changeable Agile Reconfigurable and Virtual production CARV2013 is Enabling Manufacturing Competitiveness and Economic Sustainability Leading edge research and best implementation practices and experiences which address these important issues and challenges are presented The proceedings include advances in manufacturing systems design planning evaluation control and evolving paradigms such as mass customization personalization changeability re configurability and flexibility New and important concepts such as the dynamic product families and platforms co evolution of products and systems and methods for enhancing manufacturing systems economic sustainability and prolonging their life to produce more than one product generation are treated Enablers of change in manufacturing systems production volume and capability scalability and managing the volatility of markets competition among global enterprises and the increasing complexity of products manufacturing systems and management strategies are discussed Industry challenges and future directions for research and development needed to help both practitioners and academicians are presented About the Editor Prof Dr Ing Michael F Zaeh born in 1963 has been and is Professor for and Manufacturing Technology since 2002 and together with Prof Dr Ing Gunther Reinhart Head of the Institute for Machine Tools and Industrial Management iwmb at the Technische Universitaet Muenchen TUM After studying general mechanical engineering he was doctoral candidate under Prof Dr Ing Joachim Milberg at TUM from 1990 until 1993 and received his doctorate in 1993 From 1994 to 1995 he was department leader under Prof Dr Ing Gunther Reinhart From 1996 to 2002 he worked for a machine tool manufacturer in several positions most recently as a member of the extended management Prof Dr Ing Michael F Zaeh is an associated member of the CIRP and member of acatech WGP and WLP His current researches include among others Joining and Cutting Technologies like Laser Cutting and Welding as well as Friction Stir Welding Structural Behaviour and Energy Efficiency of Machine Tools and Manufacturing Processes like Additive Manufacturing

Fundamentals of Robotic Mechanical Systems Jorge Angeles,2013-12-09 The 4th edition includes updated and additional examples and exercises on the core fundamental concepts of mechanics robots and kinematics of serial robots New images of CAD models and physical robots help to motivate concepts being introduced Each chapter of the book can be read independently of others as it addresses a separate issue in robotics

IEEE Technology and Engineering Management Society Body of Knowledge (TEMSBOK) Gustavo Giannattasio,Elif Kongar,Marina Dabić,Celia Desmond,Michael Condry,Sudeendra Koushik,Roberto Saracco,2023-09-25 IEEE Technology and Engineering Management Society Body of Knowledge TEMSBOK IEEE TEMS Board of Directors approved body of knowledge dedicated to technology and engineering management The IEEE Technology

and Engineering Management Society Body of Knowledge TEMSBOK establishes a set of common practices for technology and engineering management acts as a reference for entrepreneurs establishes a basis for future official certifications and summarizes the literature on the management field in order to publish reference documentation for new initiatives The editors have used a template approach with authors that instructed them on how to introduce their manuscript how to organize the technology and area fundamentals the managing approach techniques and benefits realistic examples that show the application of concepts recommended best use focusing on how to identify the most adequate approach to typical cases with a summary and conclusion of each section plus a list of references for further study The book is structured according to the following area knowledge chapters business analysis technology adoption innovation entrepreneurship project management digital disruption digital transformation of industry data science and management and ethics and legal issues Specific topics covered include Market requirement analysis business analysis for governance planning financial analysis evaluation and control and risk analysis of market opportunities Leading and managing working groups optimizing group creation and evolution enterprise agile governance and leading agile organizations and working groups Marketing plans for new products and services risk analysis and challenges for entrepreneurs and procurement and collaboration Projects portfolios and programs economic constraints and roles integration management and control of change and project plan structure The IEEE Technology and Engineering Management Society Body of Knowledge TEMSBOK will appeal to engineers graduates and professionals who wish to prepare for challenges in initiatives using new technologies as well as managers who are responsible for conducting business involving technology and engineering

January 2024 - Surplus Record Machinery & Equipment Tom Scanlan, SURPLUS RECORD is the leading independent business directory of new and used capital equipment machine tools machinery and industrial equipment listing over 110 000 industrial assets since 1924 including metalworking and fabricating machine tools lathes cnc equipment machine centers woodworking equipment food equipment chemical and process equipment cranes air compressors pumps motors circuit breakers generators transformers turbines and more Over 1 100 businesses list with the SURPLUS RECORD November 2023 issue Vol 101 No 1

BASIC CONCEPTS OF AI AND ROBOTICS Dr. M. Purushotham, T V Sathyanarayana, Dr. Shafqat Nabi Mughal, Dr. Pallavi Sapkale, 2023-01-19 An accessible book that explains the fundamentals of Artificial Intelligence AI In most cases a difficult lengthy and highly technical textbook isn't the best approach to explain the fundamentals of artificial intelligence This book is suitable for you if you comprehend the fundamentals of robotics and wish to create or improve the intelligence of your robots Readers with an interest in artificial intelligence and robotics will find plenty of value in this book This book covers topics like Introduction to Robotics Fundamentals of Robotics Robot Kinematics Robot Programming languages trajectory planning and control DDD concept Intelligent robots Robot anatomy Definition law of robotics History and Terminology of Robotics Accuracy and repeatability of Robotics Simple problems Specifications of Robot Speed of Robot Robot joints and

links Robot classifications Architecture of robotic systems **Sheet Metal Industries** ,1999 **Advances in Solid Oxide Fuel Cells and Electronic Ceramics, Volume 36, Issue 3** Narottam P. Bansal,Mihails Kusnezoff,Kiyoshi Shimamura,2016-01-05 The Ceramic Engineering and Science Proceeding has been published by The American Ceramic Society since 1980 This series contains a collection of papers dealing with issues in both traditional ceramics i e glass whitewares refractories and porcelain enamel and advanced ceramics Topics covered in the area of advanced ceramic include bioceramics nanomaterials composites solid oxide fuel cells mechanical properties and structural design advanced ceramic coatings ceramic armor porous ceramics and more **August 2022 - Surplus Record Machinery & Equipment Directory** Surplus Record,2022-08-01 SURPLUS RECORD is the leading independent business directory of new and used capital equipment machine tools machinery and industrial equipment listing over 95 000 industrial assets including metalworking and fabricating machine tools chemical and process equipment cranes air compressors pumps motors circuit breakers generators transformers turbines and more Over 1 100 businesses list with the SURPLUS RECORD August 2022 issue Vol 99 No 8 **Approval Guide** ,1993 **November 2022 - Surplus Record Machinery & Equipment Directory** Surplus Record,2022-11-01 SURPLUS RECORD is the leading independent business directory of new and used capital equipment machine tools machinery and industrial equipment listing over 95 000 industrial assets including metalworking and fabricating machine tools chemical and process equipment cranes air compressors pumps motors circuit breakers generators transformers turbines and more Over 1 100 businesses list with the SURPLUS RECORD November 2022 issue Vol 99 No 11 Computer-Aided Design, Engineering, and Manufacturing Cornelius T. Leondes,2000-12-12 In the competitive business arena companies must continually strive to create new and better products faster more efficiently and more cost effectively than their competitors to gain and keep the competitive advantage Computer aided design CAD computer aided engineering CAE and computer aided manufacturing CAM are now the industry standard These seven volumes give the reader a comprehensive treatment of the techniques and applications of CAD CAE and CAM *Proceedings of the 41st International Conference on Advanced Ceramics and Composites, Volume 38, Issue 3* Waltraud M. Kriven,Narottam P. Bansal,Mihails Kusnezoff,Tatsuki Ohji,Yanchun Zhou,Kyoung Il Moon,Josef Matyas,Kiyoshi Shimamura,Soshu Kiriwara,2018-01-18 This proceedings contains a collection of 24 papers from The American Ceramic Society s 41st International Conference on Advanced Ceramics and Composites held in Daytona Beach Florida January 22 27 2017 This issue includes papers presented in the following symposia Symposium 3 14th International Symposium on Solid Oxide Fuel Cells SOFC Symposium 8 11th International Symposium on Advanced Processing Manufacturing Technologies for Structural Multifunctional Materials and Systems Symposium 11 Advanced Materials and Innovative Processing ideas for the Production Root Technology Symposium 12 Materials for Extreme Environments Ultrahigh Temperature Ceramics UHTCs and Nano laminated Ternary Carbides and Nitrides MAX Phases Symposium 13 Advanced Materials for Sustainable Nuclear

Fission and Fusion Energy Symposium 14 Crystalline Materials for Electrical Optical and Medical Applications Symposium 15 Additive Manufacturing and 3D Printing Technologies Focused Session 1 Geopolymers Chemically Bonded Ceramics Eco friendly and Sustainable Materials **Advances in Solid Oxide Fuel Cells and Electronic Ceramics II, Volume 37, Issue 3** Mihails Kusnezoff, Narottam P. Bansal, Kiyoshi Shimamura, 2017-01-04 This issue contains 13 papers from The American Ceramic Society's 40th International Conference on Advanced Ceramics and Composites held in Daytona Beach Florida January 24-29 2016 presented in Symposium 3 13th International Symposium on Solid Oxide Fuel Cells Materials Science and Technology and Symposium 14 Single Crystalline Materials for Electrical Optical and Medical Applications Recent Development in Machining, Materials and Mechanical Technologies Jyh Chen Chen, Usuki Hiroshi, Sheng Wei Lee, Yiin Kuen Fuh, 2015-07-23 Selected peer reviewed papers from the 2014 International Conference on Machining Materials and Mechanical Technologies IC3MT August 31-September 5 2014 Taipei City Taiwan

werke darstellungen und interpretationen thomas von aquin - Nov 05 2022

web buy *werke darstellungen und interpretationen thomas von aquin* und die scholastik by josef pieper online at alibris we have new and used copies available in 1 editions

werke darstellungen und interpretationen thomas v - Oct 04 2022

web merely said the *werke darstellungen und interpretationen thomas v* is universally compatible considering any devices to read *werke* in zehn bnden 8 werkbnde 2

werke darstellungen und interpretationen thomas v uniport edu - Jul 01 2022

web apr 17 2023 *werke darstellungen und interpretationen thomas v* 2 7 downloaded from uniport edu ng on april 17 2023 by guest philosophiegeschichtlicher gestalten

interpretationen des werkes piktors verwandlungen - Dec 26 2021

web *interpretationen des werkes bild baum und frau 1 bild baum und frau 2 musikalische interpretation 1 szenische interpretation 1 buch und cd zu szenische interpretation 1*

werke darstellungen und interpretationen thomas von aquin - Dec 06 2022

web *werke darstellungen und interpretationen thomas von aquin* und die scholastik by pieper josef ziel des studiums der philosophie ist es herauszufinden nicht was

einführung in die beschreibung und analyse von werken der - Feb 25 2022

web thomas noll studierte kunstgeschichte klassische archäologie sowie mittlere und neuere geschichte in göttingen und heidelberg forschungsschwerpunkte sind kunst und

werke darstellungen und interpretationen thomas v download - Sep 22 2021

web gewalt anhand ausgewählter autoren thomas von aquin aegidius romanus dante aleghieri und marsilius von padua damit wirft sie einen analytischen blick auf die

[werke darstellungen und interpretationen thomas v pdf](#) - Jul 13 2023

web werke darstellungen und interpretationen thomas von aquin und die scholastik mar 15 2023 der band enthält die wichtigsten schriften josef piepers zu thomas von aquin

werke darstellungen und interpretationen thomas v pdf cial - Aug 14 2023

web aug 9 2023 decoding werke darstellungen und interpretationen thomas v revealing the captivating potential of verbal expression in a period characterized by

[werke darstellungen und interpretationen thomas v](#) - Apr 10 2023

web apr 8 2023 werke darstellungen und interpretationen thomas v this is likewise one of the factors by obtaining the soft documents of this werke darstellungen und

[werke darstellungen und interpretationen thomas v wrbb neu](#) - Aug 02 2022

web download this werke darstellungen und interpretationen thomas v after getting deal so next you require the ebook swiftly you can straight get it its correspondingly

[thomas manns ideologie des krieges analyse am beispiel des](#) - Apr 29 2022

web thomas mann sieht den krieg also positiv weil er ihn als eine chance empfindet um bismarcks werk zu ende zu bringen 39 und um die deutsche politik vor den

werke darstellungen und interpretationen thomas v José - Feb 08 2023

web we meet the expense of werke darstellungen und interpretationen thomas v and numerous books collections from fictions to scientific research in any way among them

pdf werke darstellungen und interpretationen thomas v - Jun 12 2023

web werke darstellungen und interpretationen thomas v die abendmahlslehre des origenes jul 08 2021 akademische arbeit aus dem jahr 2019 im fachbereich

[werke darstellungen und interpretationen thomas v pdf](#) - Nov 24 2021

web mar 29 2023 werke darstellungen und interpretationen thomas von aquin und die scholastik josef pieper 2001 der band enthält die wichtigsten schriften josef piepers zu

werke darstellungen und interpretationen thomas v pdf - Oct 24 2021

web apr 27 2023 discover the notice werke darstellungen und interpretationen thomas v that you are looking for it will totally squander the time however below like you visit this

werke darstellungen und interpretationen thomas v pdf book - Sep 03 2022

web jun 21 2023 werke darstellungen und interpretationen thomas v pdf right here we have countless ebook werke darstellungen und interpretationen thomas v pdf and

grin portraitalerei tizians karl v im lehnstuhl und - Mar 29 2022

web im haptteil soll der venezianische renaissance künstler tizian seine malweise im portrait und das gemälde karl v im lehnstuhl genauer betrachtet werden als zweites

werke darstellungen und interpretationen thomas v 2023 wp - May 11 2023

web werke darstellungen und interpretationen thomas v werke darstellungen und interpretationen thomas v 2 downloaded from wp publish com on 2022 02 05 by

werke darstellungen und interpretationen thomas v pdf - Mar 09 2023

web apr 12 2023 werke darstellungen und interpretationen thomas von aquin und die scholastik josef pieper 2001 der band enthält die wichtigsten schriften josef piepers zu

der künstler als lebensform im frühwerk thomas manns am - Jan 27 2022

web leben und werk waren bei thomas mann von jeher sehr eng verwoben die erste phase kann man als das frühwerk bezeichnen es ist geprägt von zwei novellenbänden sowie

werke darstellungen und interpretationen thomas v book - Jan 07 2023

web contents introduction part i thomas early work thomas theory of the human will a text from the early thomas sentences part ii thomas of the middle period bde

werke darstellungen und interpretationen thomas v pdf 2023 - May 31 2022

web jun 4 2023 werke darstellungen und interpretationen thomas v pdf recognizing the habit ways to get this ebook werke darstellungen und interpretationen thomas v

moréa t01 le sang des anges paperback april 27 2011 - Oct 05 2022

web tome 1 le sang des anges moréa scénario christophe arleston dessins thierry labrosse editeur soleil tome 1 le sang des anges juin 2000 acheter elle est le

moréa t01 le sang des anges paperback 27 april 2011 - Jul 02 2022

web découvrez et achetez 1 moréa t01 le sang des anges christophe arleston thierry labrosse soleil sur librairienemo com *moréa t01 le sang des anges lecture en ligne izneo* - Sep 23 2021

morea t01 le sang des anges stefano zuffi - Mar 30 2022

web jul 3 2023 said the morea t01 le sang des anges is universally compatible next any devices to read mimola antoine innocent 2018 05 25 in antoine innocent s 1906 novel

1 moréa t01 le sang des anges christophe arleston thierry - Apr 30 2022

web jul 18 2023 la belle moréa doloniac est employée d'une des plus grosses compagnies méta nationales de la planète la dwc elle n'est qu'une vague arrière-petite nièce du

morea t01 le sang des anges paperback 27 april 2011 - Jun 01 2022

web morea t01 le sang des anges yeah reviewing a ebook morea t01 le sang des anges could build up your close links listings this is just one of the solutions for competently

moréa t01 le sang des anges french edition kindle - Mar 10 2023

web apr 27 2011 buy moréa t01 le sang des anges by arleston c labrosse t isbn 9782302015159 from amazon's book store everyday low prices and free delivery on

morea t01 le sang des anges 2023 cyberlab sutd edu sg - Sep 04 2022

web hello sign in account lists returns orders cart

moréa t01 le sang des anges format kindle amazon fr - Nov 25 2021

web lire les derniers tomes et albums de moréa t01 le sang des anges en ligne avec izneo format numérique haute qualité et sans publicité en ligne sur desktop ios android ou

moréa 1 le sang des anges bedetheque - Aug 15 2023

web elle est le jouet de deux factions qui manipulent l'humanité depuis des siècles les anges et les dragons et qui possèdent des pouvoirs au-delà de ce que l'homme n'a jamais pu

morea t01 le sang des anges copy uniport edu - Jan 28 2022

web elle est le jouet de deux factions qui manipulent l'humanité depuis des siècles les anges et les dragons et qui possèdent des pouvoirs au-delà de ce que l'homme n'a jamais pu

moréa t01 le sang des anges paperback 27 april 2011 - Feb 09 2023

web jan 6 2005 tome n 1 album le sang des anges date de parution 06 janvier 2005 référence 9782849461280 reliure couverture souple nombre de pages 44

morea tome 1 bdfugue com - Dec 07 2022

web apr 27 2011 moréa t01 le sang des anges arleston c labrosse t on amazon.com free shipping on qualifying offers moréa t01 le sang des anges

moréa t01 le sang des anges lecture en ligne izneo - May 12 2023

web jusqu'au jour où la faction des anges ayant exterminé ses illustres parents moréa se retrouve propulsée à la tête de la dwc par la même occasion la jeune femme

moréa tome 1 le sang des anges - Aug 03 2022

web amazon in buy morea t01 le sang des anges book online at best prices in india on amazon in read morea t01 le sang des anges book reviews author details and

moréa tome 1 le sang des anges christophe arleston babelio - Jun 13 2023

web lire les derniers tomes et albums de moréa t01 le sang des anges en ligne avec izneo format numérique haute qualité et sans publicité en ligne sur desktop ios android ou

morea t01 le sang des anges dotnbm - Dec 27 2021

web mar 14 2018 buy moréa t01 le sang des anges french edition read kindle store reviews amazon com

moréa tome 1 bdfugue com - Jan 08 2023

web mar 14 2018 moréa t01 le sang des anges french edition ebook arleston christophe labrosse thierry amazon ca kindle store

moréa t01 le sang des anges broché 27 avril 2011 amazon fr - Jul 14 2023

web jun 19 2002 résumé cuba capitale des nouveaux empires économiques année 2082 suite à l'assassinat de sa famille moréa doloniac se retrouve inopinément à la tête

morea t01 le sang des anges pdf uniport edu - Feb 26 2022

web elle doit prouver que celui ci a perdu la raison et le faire interner pour qu'il cesse de dilapider la fortune familiale a darkwind katharine rencontre un vieil homme

moréa t01 le sang des anges french edition kindle edition - Oct 25 2021

moréa t01 le sang des anges french edition kindle edition - Nov 06 2022

web morea t01 le sang des anges les reines de sang frdgonde la sanguinaire oct 02 2020 souveraines bourgeoises ou femmes du peuple elles ne reculeront devant rien

morea tome 1 le sang des anges fnac - Apr 11 2023

web mar 14 2018 buy moréa t01 le sang des anges french edition read kindle store reviews amazon com amazon com moréa t01 le sang des anges french edition

martin s physical pharmacy and pharmaceutical sciences - Jun 21 2023

web feb 8 2023 consistently revised and updated for more than 60 years to reflect the most current research and practice martin s physical pharmacy and pharmaceutical

martin s physical pharmacy and pharmaceutical sciences - May 20 2023

web martin s physical pharmacy and pharmaceutical sciences is considered the most comprehensive text available on the physical chemical and biological principles that

school of pharmacy İstanbul medipol university international - Dec 03 2021

martin s physical pharmacy and pharmaceutical - Oct 13 2022

web martin s physical pharmacy and pharmaceutical sciences is considered the most comprehensive text available on the physical chemical and biological principles that

[martins physical pharmacy and pharmaceutical](#) - Jul 22 2023

web about this title martin s physical pharmacy and pharmaceutical sciences is considered the most comprehensive text available on the physical chemical and biological

martin s physical pharmacy and pharmaceutical sciences - Dec 15 2022

web library of congress cataloging in publication data martin s physical pharmacy and pharmaceutical sciences physical chemical and biopharmaceutical principles in the

martin s physical pharmacy and pharmaceutical - Mar 18 2023

web martin s physical pharmacy and pharmaceutical sciences physical chemical and biopharmaceutical principles in the pharmaceutical sciences responsibility

martin s physical pharmacy and pharmaceutical sciences - Feb 17 2023

web summary martin s physical pharmacy and pharmaceutical sciences is considered the most comprehensive text available on the physical chemical and biological principles

[martin s physical pharmacy and pharmaceutical sciences](#) - Jan 16 2023

web this text is the most comprehensive resource on the application of physical chemical principles in the various branches of pharmacy it helps students teachers researchers

İstanbul journal of pharmacy - Feb 05 2022

web we are dedicated to teaching and research in pharmacy and pharmaceutical sciences the prospects for pharmacy education and research are exciting and our students will enjoy

martin s physical pharmacy and pharmaceutical sciences 7th - Aug 11 2022

web may 2 2021 martin s physical pharmacy and pharmaceutical sciences sixth edition ever since the first edition of martin s physical pharmacy was published in 1960 dr

martin s physical pharmacy and pharmaceutical sciences sixth - Jun 09 2022

web martin s physical pharmacy and pharmaceutical sciences physical chemical and biopharmaceutical principles in the pharmaceutical sciences sixth

martin s physical pharmacy and pharmaceutical sciences - Jul 10 2022

web apr 19 2023 imported from better world books record martin s physical pharmacy pharmaceutical sciences by patrick j sinko 2023 lippincott williams wilkins lww

[İstanbul journal of pharmacy information](#) - Jan 04 2022

web aug 21 2023 we are dedicated to teaching and research in pharmacy and pharmaceutical sciences the prospects for pharmacy education and research are exciting and our

martin s physical pharmacy and pharmaceutical sciences - Sep 12 2022

web martin s physical pharmacy and pharmaceutical sciences is considered the most comprehensive text available on the application of the physical chemical and biological

[martin s physical pharmacy and pharmaceutical](#) - Apr 07 2022

web emine akalın İstanbul journal of pharmacy istanbul j pharm is an international scientific open access periodical published in accordance with independent unbiased

martin s physical pharmacy and pharmaceutical sciences open - May 08 2022

web mla martin s physical pharmacy and pharmaceutical sciences physical chemical and biopharmaceutical principles in the pharmaceutical sciences baltimore md lippincott

[citation martin s physical pharmacy and pharmaceutical](#) - Mar 06 2022

web about İstanbul journal of pharmacy istanbul j pharm is an international scientific open access periodical published in accordance with independent unbiased and double

martin s physical pharmacy and pharmaceutical sciences lww - Aug 23 2023

web consistently revised and updated for more than 60 years to reflect the most current research and practice martin s physical pharmacy and pharmaceutical sciences 8th edition

[martin s physical pharmacy and pharmaceutical sciences](#) - Nov 14 2022

web martin s physical pharmacy and pharmaceutical sciences physical chemical and biopharmaceutical principles in the pharmaceutical sciences 6e pharmacy health

[martin s physical pharmacy and pharmaceutical sciences lww](#) - Apr 19 2023

web martin s physical pharmacy and pharmaceutical sciences is considered the most comprehensive text available on the application of the physical chemical and biological

school of pharmacy medipol university - Nov 02 2021

Eventually, you will extremely discover a extra experience and exploit by spending more cash. nevertheless when? reach you put up with that you require to acquire those all needs afterward having significantly cash? Why dont you try to acquire something basic in the beginning? Thats something that will guide you to understand even more almost the globe, experience, some places, once history, amusement, and a lot more?

It is your utterly own become old to act out reviewing habit. in the middle of guides you could enjoy now is **Fanuc Arc Mate 120 User Manual** below.

https://offsite.creighton.edu/files/virtual-library/Documents/las_leyes_del_xito.pdf

https://offsite.creighton.edu/files/virtual-library/Documents/lean_transformation_method.pdf

https://offsite.creighton.edu/files/virtual-library/Documents/law_4_48_laws_of_power.pdf

Table of Contents Fanuc Arc Mate 120 User Manual

1. Understanding the eBook Fanuc Arc Mate 120 User Manual
 - The Rise of Digital Reading Fanuc Arc Mate 120 User Manual
 - Advantages of eBooks Over Traditional Books
2. Identifying Fanuc Arc Mate 120 User Manual
 - Exploring Different Genres
 - Considering Fiction vs. Non-Fiction
 - Determining Your Reading Goals
3. Choosing the Right eBook Platform
 - Popular eBook Platforms
 - Features to Look for in an Fanuc Arc Mate 120 User Manual

- User-Friendly Interface
- 4. Exploring eBook Recommendations from Fanuc Arc Mate 120 User Manual
 - Personalized Recommendations
 - Fanuc Arc Mate 120 User Manual User Reviews and Ratings
 - Fanuc Arc Mate 120 User Manual and Bestseller Lists
- 5. Accessing Fanuc Arc Mate 120 User Manual Free and Paid eBooks
 - Fanuc Arc Mate 120 User Manual Public Domain eBooks
 - Fanuc Arc Mate 120 User Manual eBook Subscription Services
 - Fanuc Arc Mate 120 User Manual Budget-Friendly Options
- 6. Navigating Fanuc Arc Mate 120 User Manual eBook Formats
 - ePub, PDF, MOBI, and More
 - Fanuc Arc Mate 120 User Manual Compatibility with Devices
 - Fanuc Arc Mate 120 User Manual Enhanced eBook Features
- 7. Enhancing Your Reading Experience
 - Adjustable Fonts and Text Sizes of Fanuc Arc Mate 120 User Manual
 - Highlighting and Note-Taking Fanuc Arc Mate 120 User Manual
 - Interactive Elements Fanuc Arc Mate 120 User Manual
- 8. Staying Engaged with Fanuc Arc Mate 120 User Manual
 - Joining Online Reading Communities
 - Participating in Virtual Book Clubs
 - Following Authors and Publishers Fanuc Arc Mate 120 User Manual
- 9. Balancing eBooks and Physical Books Fanuc Arc Mate 120 User Manual
 - Benefits of a Digital Library
 - Creating a Diverse Reading Collection Fanuc Arc Mate 120 User Manual
- 10. Overcoming Reading Challenges
 - Dealing with Digital Eye Strain
 - Minimizing Distractions
 - Managing Screen Time
- 11. Cultivating a Reading Routine Fanuc Arc Mate 120 User Manual
 - Setting Reading Goals Fanuc Arc Mate 120 User Manual

- Carving Out Dedicated Reading Time
- 12. Sourcing Reliable Information of Fanuc Arc Mate 120 User Manual
 - Fact-Checking eBook Content of Fanuc Arc Mate 120 User Manual
 - Distinguishing Credible Sources
- 13. Promoting Lifelong Learning
 - Utilizing eBooks for Skill Development
 - Exploring Educational eBooks
- 14. Embracing eBook Trends
 - Integration of Multimedia Elements
 - Interactive and Gamified eBooks

Fanuc Arc Mate 120 User Manual Introduction

In this digital age, the convenience of accessing information at our fingertips has become a necessity. Whether its research papers, eBooks, or user manuals, PDF files have become the preferred format for sharing and reading documents. However, the cost associated with purchasing PDF files can sometimes be a barrier for many individuals and organizations. Thankfully, there are numerous websites and platforms that allow users to download free PDF files legally. In this article, we will explore some of the best platforms to download free PDFs. One of the most popular platforms to download free PDF files is Project Gutenberg. This online library offers over 60,000 free eBooks that are in the public domain. From classic literature to historical documents, Project Gutenberg provides a wide range of PDF files that can be downloaded and enjoyed on various devices. The website is user-friendly and allows users to search for specific titles or browse through different categories. Another reliable platform for downloading Fanuc Arc Mate 120 User Manual free PDF files is Open Library. With its vast collection of over 1 million eBooks, Open Library has something for every reader. The website offers a seamless experience by providing options to borrow or download PDF files. Users simply need to create a free account to access this treasure trove of knowledge. Open Library also allows users to contribute by uploading and sharing their own PDF files, making it a collaborative platform for book enthusiasts. For those interested in academic resources, there are websites dedicated to providing free PDFs of research papers and scientific articles. One such website is Academia.edu, which allows researchers and scholars to share their work with a global audience. Users can download PDF files of research papers, theses, and dissertations covering a wide range of subjects. Academia.edu also provides a platform for discussions and networking within the academic community. When it comes to downloading Fanuc Arc Mate 120 User Manual free PDF files of magazines, brochures, and catalogs, Issuu is a popular choice. This digital publishing platform hosts a vast collection of publications

from around the world. Users can search for specific titles or explore various categories and genres. Issuu offers a seamless reading experience with its user-friendly interface and allows users to download PDF files for offline reading. Apart from dedicated platforms, search engines also play a crucial role in finding free PDF files. Google, for instance, has an advanced search feature that allows users to filter results by file type. By specifying the file type as "PDF," users can find websites that offer free PDF downloads on a specific topic. While downloading Fanuc Arc Mate 120 User Manual free PDF files is convenient, it's important to note that copyright laws must be respected. Always ensure that the PDF files you download are legally available for free. Many authors and publishers voluntarily provide free PDF versions of their work, but it's essential to be cautious and verify the authenticity of the source before downloading Fanuc Arc Mate 120 User Manual. In conclusion, the internet offers numerous platforms and websites that allow users to download free PDF files legally. Whether it's classic literature, research papers, or magazines, there is something for everyone. The platforms mentioned in this article, such as Project Gutenberg, Open Library, Academia.edu, and Issuu, provide access to a vast collection of PDF files. However, users should always be cautious and verify the legality of the source before downloading Fanuc Arc Mate 120 User Manual any PDF files. With these platforms, the world of PDF downloads is just a click away.

FAQs About Fanuc Arc Mate 120 User Manual Books

How do I know which eBook platform is the best for me? Finding the best eBook platform depends on your reading preferences and device compatibility. Research different platforms, read user reviews, and explore their features before making a choice. Are there free eBooks of good quality? Yes, many reputable platforms offer high-quality free eBooks, including classics and public domain works. However, make sure to verify the source to ensure the eBook's credibility. Can I read eBooks without an eReader? Absolutely! Most eBook platforms offer web-based readers or mobile apps that allow you to read eBooks on your computer, tablet, or smartphone. How do I avoid digital eye strain while reading eBooks? To prevent digital eye strain, take regular breaks, adjust the font size and background color, and ensure proper lighting while reading eBooks. What are the advantages of interactive eBooks? Interactive eBooks incorporate multimedia elements, quizzes, and activities, enhancing the reader's engagement and providing a more immersive learning experience. Fanuc Arc Mate 120 User Manual is one of the best books in our library for free trial. We provide a copy of Fanuc Arc Mate 120 User Manual in digital format, so the resources that you find are reliable. There are also many eBooks related to Fanuc Arc Mate 120 User Manual. Where to download Fanuc Arc Mate 120 User Manual online for free? Are you looking for Fanuc Arc Mate 120 User Manual PDF? This is definitely going to save you time and cash in something you should think about.

Find Fanuc Arc Mate 120 User Manual :

~~las leyes del éxito~~

lean transformation method

law 4 48 laws of power

learn pro tools online free

less is more jason hickel summary

letter of intent template graduate school

letter of encouragement to my son before a test

~~learn java for minecraft mods~~

letter to break a lease

learn french podcast free

learn to read polish

leveraged etf options strategy

~~leaders safety and occupational health course army~~

lehman's catalog pdf

learn italian conversation

Fanuc Arc Mate 120 User Manual :