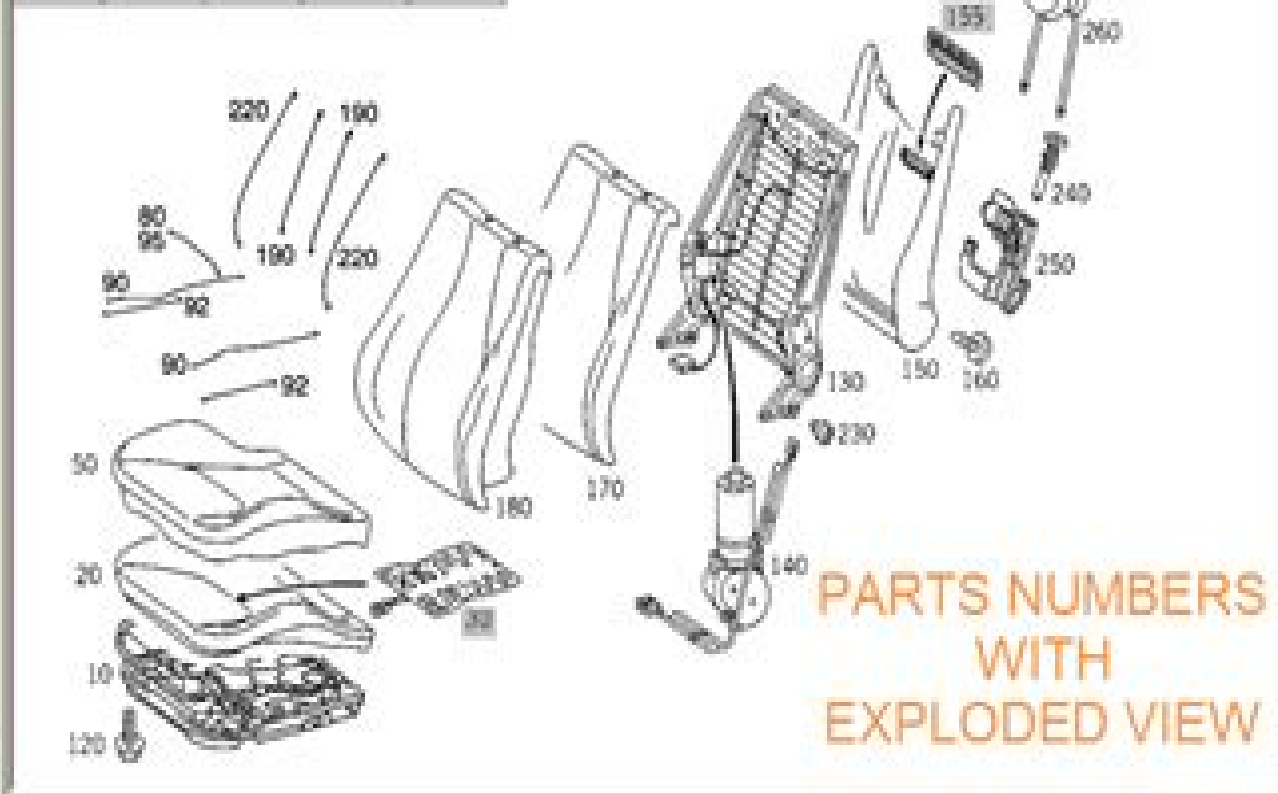




✓	Item	Part number	Designation/Description
<input type="checkbox"/>	10	A 220 910 03 22	CUSHION FRAME LEFT BOM From Chassis
<input type="checkbox"/>	20	A 220 910 22 50	REST LEFT SEAT BOM From Chassis Code: 481
<input type="checkbox"/>	50	A 220 910 35 46 8772	COVER LEATHER TRIM LEFT BOM From Chassis Code: 2706
<input type="checkbox"/>	80	A 460 924 00 29	CLAMP CROSS STAPLE UPHOLSTE LEFT SEAT 205PH
<input type="checkbox"/>	90	A 220 914 05 29	CLAMP LONGITUDINAL STAPLE LI OUT. LEFT/RIGHT, LEFT S BOM From Chassis
<input type="checkbox"/>	92	A 460 924 00 29	CLAMP LONGITUDINAL STAPLE LI CENTER LEFT SEAT 205PH
<input type="checkbox"/>	95	A 203 914 03 29	CLAMP CROSS STAPLE FRONT 20
<input type="checkbox"/>	100	A 006 968 09 78	CLIP STAPLE CUSHION BACK, L
<input type="checkbox"/>	110	A 006 968 12 78	CLIP UPHOLSTERY FO-CUSHION
<input type="checkbox"/>	120	N 924130 006006	SCREW LEFT SEAT CUSHION AT 5 T



Mercedes Benz Parts Repair Manual

Autobooks



Mercedes Benz Parts Repair Manual

Mercedes-Benz 230 1963-1968 Autobook Veloce Press,2001-11-01 VelocePress in close cooperation with Brooklands Books Ltd has brought this and other repair manuals previously published as part of the Autobooks Owners Workshop Manual Series back into print The series is an invaluable resource for the classic car enthusiast and a must have for owners interested in performing their own maintenance

Mercedes-Benz 280 1968-1972 Owners Workshop Manual Autobooks,2010-03 As a service to the classic car enthusiast VelocePress in close cooperation with Brooklands Books Ltd has brought this and other repair manuals previously published as part of the Autobook Autopress Owners Workshop Manual Series back into print This series of manuals is an invaluable resource for the classic car enthusiast and a must have for owners interested in performing their own maintenance These manuals include detailed repair service data and comprehensive step by step instructions and illustrations on dismantling overhauling and re assembly Typically they contain individual chapters that deal with the following items Engine Carburetor Fuel System Ignition System Cooling System Clutch Transmission Drive Shaft Rear Axle Rear Suspension Front Suspension Hubs Steering Gear Braking System Electrical Equipment and Bodywork There are many time saving hints and tips included and there is an easy to follow fault diagnosis at the end of each chapter All of the manuals in this series include a detailed index and feature an oil resistant laminated cover

Mercedes-Benz Diesel Larry Warren,1987 303 pgs 725 ill

Mercedes-Benz C-Class Service and Repair Manual A. K. Legg,R. M. Jex,2003

Chilton's Mercedes-Benz C-class 2001-07 Repair Manual Alan Ahlstrand,2008 All Mercedes Benz C class models 01 thru 07

Mercedes-Benz 250 and 280 Owner's Workshop Manual John Harold Haynes,P. G. Strasman,2013-02 A maintenance repair manual for the DIY mechanic

Mercedes-Benz 190, 190E & 190D Steve Rendle,2004

Mercedes Benz C-Class Petrol and Diesel Service and Repair Manual Pete Gill,2009-01-01 Mercedes Benz C Class W203 models with in line petrol and diesel engines C160 C180 C200 C220 C230 C270 Saloon Estate Coupe W203 series inc Kompressor models and special limited editions Petrol 1 8 litre 1796cc 2 0 litre 1998cc 2 3 litre 2295cc Turbo Diesel 2 2 litre 2148cc 2 7 litre 2685cc

Mercedes-Benz 124 Series ('85 to '93) Service and Repair Manual Spencer J. Drayton,Mark Coombs,Steve Rendle,1996 200 230 250 260 280 300 320 Saloon Estate Coupe 124 Series with rear wheel drive Does NOT cover Convertible Limousine 4x4 or E Class range introduced August 1993 Petrol 2 0 litre 1996cc 2 3 litre 2298cc 2 6 litre 2597cc 2 8 litre 2799cc 3 0 litre 2962cc 3 2 litre 3199cc Does NOT cover 4 cyl 16 valve or V8 petrol engines Diesel turbo Diesel 2 0 litre 1997cc 2 5 litre 2497cc 3 0 litre 2996cc

Mercedes - Benz Vito & V-Class Petrol & Diesel Models Owners Edition,2023-01-31 Series 638 Engines Covered Petrol 4 Cylinders Types 111 950 1998 cc 111 980 2295cc Diesel CDI 4 Cal Types 611 980 2148cc Owners edition This Owners Edition Workshop Manual covers the following Mercedes Benz Vito and V Class petrol and diesel powered vehicles spanning model years 2000 to 2003 The petrol model 113 with 130 b h p engine type 111 and the three diesel models 108 CDI 110 CDI and 112 CDI all fitted with the latest common rail 2.2 litre diesel engines Depending on the version the power units have outputs of 82 b h p 102 b h p and 122 b h p respectively In Sections 0 and 1 can be found further details of the various models and engines dealt with here This manual has been written for the practical owner who wants to maintain their vehicle in first class condition and carry out the bulk of their own servicing and repairs Comprehensive step by step instructions are provided for service and overhaul operations to guide the reader through what might otherwise be unfamiliar and complicated tasks and hundreds of illustrations are included to amplify the text With the aid of this manual many aspects of service overhaul and repair are within the scope of an owner with a reasonable degree of mechanical aptitude Some operations however demand more skill Other jobs require the use of special tools and in some cases testing facilities and techniques that are not generally available Only you can judge whether a job is within your capabilities We do however try to assist the reader to come to an informed decision Whilst every effort has been made to ensure that the information provided is correct it is obviously not possible to guarantee complete freedom from errors or omissions Information to be found in the driver s handbook is not necessarily duplicated here and it is not possible within this volume to cover every aspect to be found in the manufacturer s own workshop manual which is of much greater size and complexity However it should be consulted if more detailed information is needed Always remember that you are responsible for your own safety and that of others when working with you on a vehicle Take particular care with safety related systems like the brakes and steering and seek professional advice if in any doubt Never work under a vehicle unless it is properly supported a single jack is not enough Take care with power tools also regard as potentially harmful fuel lubricants solvents and sealers which should always be stored in labelled sealed containers Always obtain your spare parts from an officially appointed Mercedes Benz dealer With care and common sense the practical owner can make an excellent job of maintenance and overhaul The benefits include money saved and the satisfaction of work well done You will be adding to your knowledge too knowing more about the vehicle you own will help you to make logical decisions about what needs to be done even if it does in some instances have to go into a professional repair shop The Mercedes Benz Vito and V Class vehicles are built with care and precision W regular care and maintenance they will provide long reliable and faithful service

Mercedes-Benz 230, 250 & 280, 1968 Thru 1972 John Harold Haynes,P. G. Strasman,1987

Mercedes-Benz Diesel 123 Series John Haynes,1988-04-01 With a Haynes manual you can do it yourself from simple maintenance to basic repairs Haynes writes every book based on a complete teardown of the vehicle We learn the best ways to do a job and that makes it quicker easier and cheaper for you Our books have clear instructions and plenty of photographs that show each step Whether you re a beginner or a pro you can save big with Haynes Step by step procedures Easy to follow photos Complete troubleshooting section Valuable short cuts Color spark plug diagnosis Complete coverage for your Mercedes Benz Diesel 123 Series covering all 200D 220D 240D 240TD 300D 300CD 300TD models designated W123 Series 4 cyl 5 cyl including turbo diesel 1976 thru 1985 Routine Maintenance Tune up procedures Engine repair Cooling and heating Air Conditioning Fuel and exhaust Emissions control Ignition Brakes Suspension and steering Electrical systems Wiring diagrams

Mercedes-Benz 220b 1959-1965 Owners Workshop Manual Autobooks,2010-01-01 As a service to the classic car enthusiast VelocePress in close cooperation with Brooklands Books Ltd has brought this and other repair manuals previously published as part of the Autobook Autopress Owners Workshop Manual Series back into print This series of manuals is an invaluable resource for the classic car enthusiast and a must have for owners interested in performing their own maintenance These manuals include detailed repair service data and comprehensive step by step instructions and illustrations on dismantling overhauling and re assembly Typically they contain individual chapters that deal with the following items Engine Carburetor Fuel System Ignition System Cooling System Clutch Transmission Drive Shaft Rear Axle Rear Suspension Front Suspension Hubs Steering Gear Braking System Electrical Equipment and Bodywork There are many time saving hints and tips included and there is an easy to follow fault diagnosis at the end of each chapter All of the manuals in this series include a detailed index and feature an oil resistant laminated cover

Mercedes Benz 190 1959-1968 Owners Workshop Manual Veloce Press,2001-11-01 VelocePress in close cooperation with Brooklands Books Ltd has brought this and other repair manuals previously published as part of the Autobooks Owners Workshop Manual Series back into print The series is an invaluable resource for the classic car enthusiast and a must have for owners interested in performing their own maintenance

Mercedes-Benz 190, 1984-1988 John Haynes,1990-08-11 Does not cover diesel or 2 6 liter

Mercedes Benz 123 Series Service and Repair Manual Larry Warren,John Harold Haynes,2014-04 This is a maintenance and repair manual for the DIY mechanic It covers the Mercedes Benz 123 series

Mercedes-Benz Repair and Tune-Up Guide Motorbooks International,1987-08 Reprint of a Glenn s manual covering repairs to 180 190 200 219 220 230 250 300 and 600 models Includes performance and mechanical specs wiring diagrams and selected Road Track road tests Pub 1966

Mercedes-Benz 280, 1977-1981 John Haynes,1984-10-27 Haynes disassembles every subject vehicle and documents every step with thorough instructions and clear photos Haynes repair manuals are used by the pros but written for the do it yourselfer

Mercedes E Class Petrol Workshop Manual W210 & W211 Series Gordon Lund,2012-10-14 This Owners Edition Workshop Manual covers the Mercedes Benz E Class Diesel W210 W211 Series from 2000 to 2006 fitted with the 1 8 2 0 2 6 2 8 3 2 3 5 4 3 5 0 Litre 111 112 113 271 272 with four six eight cylinder petrol engine It has been specially written for the practical owner who wants to maintain a vehicle in first class condition and carry out the bulk of his or her own servicing and repairs Comprehensive step by step instructions are provided for service and overhaul operations to guide the reader through what might otherwise be unfamiliar and complicated tasks Numerous drawings are included to amplify the text With 190 pages well illustrated

Mercedes E Class Petrol Workshop Manual W210 & W211 Series Gordon Lund,2012-10-14 This Owners Edition Workshop Manual covers the Mercedes Benz E Class Diesel W210 W211 Series from 2000 to 2006 fitted with the 1 8 2 0 2 6 2 8 3 2 3 5 4 3 5 0 Litre 111 112 113 271 272 with four six eight cylinder petrol engine It has been specially written for the practical owner who wants to maintain a vehicle in first class condition and carry out the bulk of his or her own servicing and repairs Comprehensive step by step instructions are provided for service and overhaul operations to guide the reader through what might otherwise be unfamiliar and complicated tasks Numerous drawings are included to amplify the text With 190 pages well illustrated

Delve into the emotional tapestry woven by Crafted by in **Mercedes Benz Parts Repair Manual** . This ebook, available for download in a PDF format (*), is more than just words on a page; it is a journey of connection and profound emotion. Immerse yourself in narratives that tug at your heartstrings. Download now to experience the pulse of each page and let your emotions run wild.

<https://offsite.creighton.edu/About/publication/default.aspx/meaning%20of%20old%20maid.pdf>

https://offsite.creighton.edu/About/publication/default.aspx/marxism_unmasked_from_delusion_to_destruction.pdf

https://offsite.creighton.edu/About/publication/default.aspx/Meer_Cat_Pictures.pdf

Table of Contents Mercedes Benz Parts Repair Manual

1. Understanding the eBook Mercedes Benz Parts Repair Manual
 - The Rise of Digital Reading Mercedes Benz Parts Repair Manual
 - Advantages of eBooks Over Traditional Books
2. Identifying Mercedes Benz Parts Repair Manual
 - Exploring Different Genres
 - Considering Fiction vs. Non-Fiction
 - Determining Your Reading Goals
3. Choosing the Right eBook Platform
 - Popular eBook Platforms
 - Features to Look for in a Mercedes Benz Parts Repair Manual
 - User-Friendly Interface
4. Exploring eBook Recommendations from Mercedes Benz Parts Repair Manual
 - Personalized Recommendations
 - Mercedes Benz Parts Repair Manual User Reviews and Ratings
 - Mercedes Benz Parts Repair Manual and Bestseller Lists
5. Accessing Mercedes Benz Parts Repair Manual Free and Paid eBooks
 - Mercedes Benz Parts Repair Manual Public Domain eBooks
 - Mercedes Benz Parts Repair Manual eBook Subscription Services
 - Mercedes Benz Parts Repair Manual Budget-Friendly Options

6. Navigating Mercedes Benz Parts Repair Manual eBook Formats
 - ePub, PDF, MOBI, and More
 - Mercedes Benz Parts Repair Manual Compatibility with Devices
 - Mercedes Benz Parts Repair Manual Enhanced eBook Features
7. Enhancing Your Reading Experience
 - Adjustable Fonts and Text Sizes of Mercedes Benz Parts Repair Manual
 - Highlighting and Note-Taking Mercedes Benz Parts Repair Manual
 - Interactive Elements Mercedes Benz Parts Repair Manual
8. Staying Engaged with Mercedes Benz Parts Repair Manual
 - Joining Online Reading Communities
 - Participating in Virtual Book Clubs
 - Following Authors and Publishers Mercedes Benz Parts Repair Manual
9. Balancing eBooks and Physical Books Mercedes Benz Parts Repair Manual
 - Benefits of a Digital Library
 - Creating a Diverse Reading Collection Mercedes Benz Parts Repair Manual
10. Overcoming Reading Challenges
 - Dealing with Digital Eye Strain
 - Minimizing Distractions
 - Managing Screen Time
11. Cultivating a Reading Routine Mercedes Benz Parts Repair Manual
 - Setting Reading Goals Mercedes Benz Parts Repair Manual
 - Carving Out Dedicated Reading Time
12. Sourcing Reliable Information of Mercedes Benz Parts Repair Manual
 - Fact-Checking eBook Content of Mercedes Benz Parts Repair Manual
 - Distinguishing Credible Sources
13. Promoting Lifelong Learning
 - Utilizing eBooks for Skill Development
 - Exploring Educational eBooks
14. Embracing eBook Trends
 - Integration of Multimedia Elements

- Interactive and Gamified eBooks

Mercedes Benz Parts Repair Manual Introduction

In today's digital age, the availability of Mercedes Benz Parts Repair Manual books and manuals for download has revolutionized the way we access information. Gone are the days of physically flipping through pages and carrying heavy textbooks or manuals. With just a few clicks, we can now access a wealth of knowledge from the comfort of our own homes or on the go. This article will explore the advantages of Mercedes Benz Parts Repair Manual books and manuals for download, along with some popular platforms that offer these resources. One of the significant advantages of Mercedes Benz Parts Repair Manual books and manuals for download is the cost-saving aspect. Traditional books and manuals can be costly, especially if you need to purchase several of them for educational or professional purposes. By accessing Mercedes Benz Parts Repair Manual versions, you eliminate the need to spend money on physical copies. This not only saves you money but also reduces the environmental impact associated with book production and transportation. Furthermore, Mercedes Benz Parts Repair Manual books and manuals for download are incredibly convenient. With just a computer or smartphone and an internet connection, you can access a vast library of resources on any subject imaginable. Whether you're a student looking for textbooks, a professional seeking industry-specific manuals, or someone interested in self-improvement, these digital resources provide an efficient and accessible means of acquiring knowledge. Moreover, PDF books and manuals offer a range of benefits compared to other digital formats. PDF files are designed to retain their formatting regardless of the device used to open them. This ensures that the content appears exactly as intended by the author, with no loss of formatting or missing graphics. Additionally, PDF files can be easily annotated, bookmarked, and searched for specific terms, making them highly practical for studying or referencing. When it comes to accessing Mercedes Benz Parts Repair Manual books and manuals, several platforms offer an extensive collection of resources. One such platform is Project Gutenberg, a nonprofit organization that provides over 60,000 free eBooks. These books are primarily in the public domain, meaning they can be freely distributed and downloaded. Project Gutenberg offers a wide range of classic literature, making it an excellent resource for literature enthusiasts. Another popular platform for Mercedes Benz Parts Repair Manual books and manuals is Open Library. Open Library is an initiative of the Internet Archive, a non-profit organization dedicated to digitizing cultural artifacts and making them accessible to the public. Open Library hosts millions of books, including both public domain works and contemporary titles. It also allows users to borrow digital copies of certain books for a limited period, similar to a library lending system. Additionally, many universities and educational institutions have their own digital libraries that provide free access to PDF books and manuals. These libraries often offer academic texts, research papers, and technical manuals, making them invaluable resources for students and researchers. Some notable examples include MIT OpenCourseWare,

which offers free access to course materials from the Massachusetts Institute of Technology, and the Digital Public Library of America, which provides a vast collection of digitized books and historical documents. In conclusion, Mercedes Benz Parts Repair Manual books and manuals for download have transformed the way we access information. They provide a cost-effective and convenient means of acquiring knowledge, offering the ability to access a vast library of resources at our fingertips. With platforms like Project Gutenberg, Open Library, and various digital libraries offered by educational institutions, we have access to an ever-expanding collection of books and manuals. Whether for educational, professional, or personal purposes, these digital resources serve as valuable tools for continuous learning and self-improvement. So why not take advantage of the vast world of Mercedes Benz Parts Repair Manual books and manuals for download and embark on your journey of knowledge?

FAQs About Mercedes Benz Parts Repair Manual Books

1. Where can I buy Mercedes Benz Parts Repair Manual books? Bookstores: Physical bookstores like Barnes & Noble, Waterstones, and independent local stores. Online Retailers: Amazon, Book Depository, and various online bookstores offer a wide range of books in physical and digital formats.
2. What are the different book formats available? Hardcover: Sturdy and durable, usually more expensive. Paperback: Cheaper, lighter, and more portable than hardcovers. E-books: Digital books available for e-readers like Kindle or software like Apple Books, Kindle, and Google Play Books.
3. How do I choose a Mercedes Benz Parts Repair Manual book to read? Genres: Consider the genre you enjoy (fiction, non-fiction, mystery, sci-fi, etc.). Recommendations: Ask friends, join book clubs, or explore online reviews and recommendations. Author: If you like a particular author, you might enjoy more of their work.
4. How do I take care of Mercedes Benz Parts Repair Manual books? Storage: Keep them away from direct sunlight and in a dry environment. Handling: Avoid folding pages, use bookmarks, and handle them with clean hands. Cleaning: Gently dust the covers and pages occasionally.
5. Can I borrow books without buying them? Public Libraries: Local libraries offer a wide range of books for borrowing. Book Swaps: Community book exchanges or online platforms where people exchange books.
6. How can I track my reading progress or manage my book collection? Book Tracking Apps: Goodreads, LibraryThing, and Book Catalogue are popular apps for tracking your reading progress and managing book collections. Spreadsheets: You can create your own spreadsheet to track books read, ratings, and other details.

7. What are Mercedes Benz Parts Repair Manual audiobooks, and where can I find them? Audiobooks: Audio recordings of books, perfect for listening while commuting or multitasking. Platforms: Audible, LibriVox, and Google Play Books offer a wide selection of audiobooks.
8. How do I support authors or the book industry? Buy Books: Purchase books from authors or independent bookstores. Reviews: Leave reviews on platforms like Goodreads or Amazon. Promotion: Share your favorite books on social media or recommend them to friends.
9. Are there book clubs or reading communities I can join? Local Clubs: Check for local book clubs in libraries or community centers. Online Communities: Platforms like Goodreads have virtual book clubs and discussion groups.
10. Can I read Mercedes Benz Parts Repair Manual books for free? Public Domain Books: Many classic books are available for free as they're in the public domain. Free E-books: Some websites offer free e-books legally, like Project Gutenberg or Open Library.

Find Mercedes Benz Parts Repair Manual :

~~meaning of old maid~~

marxism unmasked from delusion to destruction

[meer cat pictures](#)

~~math word problem solving strategies pdf~~

[matlab newton's method code](#)

[mary jemison descendants today](#)

maya angelou best books

maya angelou motherhood quotes

~~medical coding test questions~~

[medical bill organizer spreadsheet](#)

~~mdr market data retrieval~~

med surg 2 topics

mcgraw hill human anatomy and physiology

[mcgraw hill history](#)

[mathematical methods of classical mechanics](#)

Mercedes Benz Parts Repair Manual :

integrated farming system model for science exhibition - Jun 18 2023

web jul 9 2020 974k views 3 years ago workingproject workingmodel dripirrigation drip irrigation agriculture working model for science project exhibition diy howtofunda innovative inspire

[agricultural science working models for school exhibition 2023](#) - Feb 14 2023

web the duration of study in agriculture and related subjects programme is different depending on your level of study here are the duration of the programme listed according to their

10 best working models for school science exhibition or science - Aug 08 2022

web dec 30 2019 agriculture published december 30 2019 at 1280 720 in working model for science exhibition for class 6 innovation at each step and 100 parents

[2 best agriculture working models for science project exhibition](#) - Mar 15 2023

web the expense of agricultural science working models for school exhibition and numerous books collections from fictions to scientific research in any way in the midst

agriculture model making diy science project organic farming - Nov 30 2021

agricultural science working models for school exhibition - May 05 2022

web aug 11 2022 singapore does not impose quotas and tariffs on imported food and agricultural products except tobacco and alcoholic beverages singapore s total

[agriculture model for school science exhibition project organic](#) - Apr 16 2023

web apr 11 2023 2 best agriculture working models for science project exhibition diy simple and easy howtofunda agriculture workingmodel scienceexhibition sciencefa

top 10 best working model of science exhibition - Oct 22 2023

web jun 12 2019 agriculture model organic farming for school science exhibition project introduction in this topic we are going to show you how to make the agriculture

[working model for science exhibition orientation sutd edu](#) - Jun 06 2022

web agricultural science working models for school exhibition an innovation in agricultural science and technology extension system papers for the teacher object

agricultural science working models for school exhibition - Nov 11 2022

web what is the science exhibition working model in this student is a showcase or exhibiting science learning in the form of working simple and easy to develop prototypes on the

[agriculture model for school science exhibition project organic](#) - Aug 20 2023

web science projects and lesson plans to explore concepts in agriculture technology innovations to help improve farming practices and feed the world

science projects for class 8 working models leverage edu - Sep 09 2022

web jun 16 2019 solar and lunar eclipse 3d working model in this model we are showing how to build a solar and lunar eclipse working model for your science project or

singapore agriculture international trade administration - Apr 04 2022

web agricultural science working models for school exhibition top arts 2018 ngv march 22nd 2018 an annual favourite on the ngv exhibition calendar top arts showcases

2023 student guide to singapore s agriculture studies - Jan 13 2023

web how to make agriculture farming working model inspire science project diy howtofunda craftpillar howtofunda 340k subscribers join subscribe 409 share save 37k

agriculture schoolproject in - Jul 07 2022

web search working model for social science exhibition for science exhibition working model science exhibition physics working models for class 10 project topics

agricultural science working models for school exhibition - Mar 03 2022

web jul 12 2023 agricultural science working models for school exhibition may 16th 2018 april 9 2018 emerson young artists showcase is a juried all media exhibition of

how to make agriculture farming working model inspire science - Dec 12 2022

web nov 12 2023 agricultural science working models for school exhibition peb news science in vedas library exhibition sfsa k 12 u s bureau of labor statistics

agricultural science working models for school exhibition - Feb 02 2022

web agricultural science working models for school exhibition accurately represent what happens in a field situation working with collaborators in denmark co first author dr

[agricultural science working models for school exhibition](#) - Jan 01 2022

web agriculture model making diy science project organic farming science model howtofunda still model agriculturemodel scienceexhibition howtofunda

agriculture model organic farming for school science exhibition - Sep 21 2023

web apr 12 2019 348k views 4 years ago school project on agriculture what are good ideas for a school project how to make agriculture and organic farming model how to make agriculture

agricultural technology science projects science buddies - Jul 19 2023

web feb 8 2023 integrated farming system model for science farming agriculture agriculture model for school science exhibition project integrated farming system is a

drip irrigation agriculture working model for science project - May 17 2023

web feb 6 2019 agriculture model for school science exhibition project organic look in school science exhibition models free science maths - Oct 10 2022

web nov 17 2023 here is a list of top science models that you can try drop an egg to prove the first law of motion assemble a newton s cradle blow out a candle with a balloon

jane eyre study guide gradesaver - Oct 23 2022

web take a look at a sample exam question and answers for charlotte brontë s jane eyre with bbc bitesize gcse english literature aqa

discussion questions from jane eyre bartleby - Jun 18 2022

web characters aqa test questions jane eyre has many memorable characters that appear in the novel and interact with the heroine jane influencing her development for better

jane eyre full book quiz quick quiz sparknotes - Mar 28 2023

web fast past papers gcse english literature jane eyre learning resources for adults children parents and teachers

jane eyre form structure and language test questions bbc - Dec 25 2022

web the questions discussion topics and author biography that follow are intended to enhance your group s reading of charlotte brontë s beloved classic novel jane eyre we hope

jane eyre gcse english literature revision aqa bbc bitesize - Feb 24 2023

web revise and learn about the plot of charlotte brontë s jane eyre with bbc bitesize gcse english literature aqa

jane eyre quizzes gradesaver - Jul 20 2022

web discover the discussion questions of jane eyre by charlotte bronte with bartleby s free literature guides our cover to cover analysis of many popular classic and

jane eyre study guide literature guide litcharts - May 30 2023

web jane eyre does not so much suggest definitive answers as pose the questions with an urgency and a depth of imagination that challenge readers about charlotte

jane eyre study guide practice test questions final exam - Feb 12 2022

web aug 3 2021 study questions for jane eyre feller 1 1 how does the weather mirror jane s mood as and book opens 2 w hy are jane retreat to the window seat have

[jane eyre discussion questions a silver petticoat book club](#) - Jun 30 2023

web the best study guide to jane eyre on the planet from the creators of sparknotes get the summaries analysis and quotes you need

[jane eyre questions answers sparknotes](#) - Sep 02 2023

web what is the red room the red room is the abandoned chamber in gateshead hall where mr reed jane s uncle died nine years prior to the start of the novel the red room has

jane eyre questions for study and discussion thoughtco - Aug 01 2023

web aug 3 2021 jane eyre discussion questions did you enjoy jane eyre was this your first time reading the gothic classic or have you read it before if you reread the

jane eyre discussion questions a silver petticoat book club - Jan 14 2022

web oct 19 2023 jane eyre novel by charlotte bronte first published in 1847 widely considered a classic it gave a new truthfulness to the victorian novel with its realistic

jane eyre by charlotte bronte reading guide 9780307455192 - Nov 23 2022

web the jane eyre study guide contains a biography of charlotte bronte literature essays a complete e text quiz questions major themes characters and a fu best summary

jane eyre a study guide - Apr 16 2022

web last updated on march 1 2022 the 2017 ap english literature free response questions focus on varying themes and are each structured differently here we discuss

[jane eyre summary characters analysis facts britannica](#) - Dec 13 2021

the ultimate guide to jane eyre for the ap english albert - Mar 16 2022

web question 1 1 in jane eyre why does jane return to visit the reeds as an adult she hears of john s death she wants to demonstrate her independence she is asked to by her

sample exam question aqa jane eyre sample exam question - Sep 21 2022

web study guide for jane eyre jane eyre is a book by charlotte brontë the jane eyre study guide contains a biography of charlotte bronte literature essays a complete e text quiz

jane eyre study guide sparknotes - Oct 03 2023

web why does jane leave thornfield hall why does the novel s title page introduce the work as an autobiography why does jane decline st john river s marriage proposal how

jane eyre essay questions gradesaver - Aug 21 2022

web jane eyre quiz 1 1 what is the color of the room jane is locked in at gateshead red green blue fuchsia 2 who is the servant at gateshead bessie georgiana mrs reed

[jane eyre characters test questions gcse english literature](#) - May 18 2022

web marry jane in order for you to fully consider the contexts of reading rather than my telling you what to think i have posed open ended questions that i believe to be important

[jane eyre reader s guide penguin random house](#) - Apr 28 2023

web test your knowledge on all of jane eyre perfect prep for jane eyre quizzes and tests you might have in school

[jane eyre plot summary test questions aqa bbc](#) - Jan 26 2023

web revise and learn about the form structure and language of charlotte brontë s jane eyre with bbc bitesize gcse english literature ocr

[el bosco the garden of earthly delights 1490 1500](#) - Aug 14 2023

web jul 23 2021 el bosco is a painter whose work is very different from all the artists of his time observing this detail of his garden of earthly delights we may think that he was 400 years ahead in the history of painting since it seems a painting of the 20th century and not of the renaissance

[el bosco wikipedia la enciclopedia libre](#) - Sep 15 2023

web jheronimus van aken bolduque c 1450 1516 llamado familiarmente joen y conocido como jheronimus bosch o hieronymus bosch 2 en idioma español el bosco fue un pintor nacido al norte del ducado de brabant en los actuales países bajos autor de una obra excepcional tanto por la extraordinaria inventiva de sus figuraciones y los asuntos tr

the garden of earthly delights wikipedia - Oct 16 2023

web the garden of earthly delights hieronymus bosch the garden of earthly delights oil on oak panels 205 5 cm 384 9 cm 81 in 152 in museo del prado madrid the garden of earthly delights is the modern title a given to a triptych oil painting on oak panel painted by the early netherlandish master hieronymus bosch between

[el bosco resumen de su biografía y obras aboutespañol com](#) - May 11 2023

web nov 1 2019 el bosco también conocido como hieronymus o jerónimo bosch fue un pintor flamenco entre el gótico tardío y el renacimiento nórdico su pintura más famosa es el tríptico el jardín de las delicias hieronymus bosch quién fue nombre completo jeroen anthoniszoon van aeken dónde y cuándo nació hacia 1450 en bolduque ducado de

biografia de el bosco biografias y vidas com - Mar 09 2023

web el bosco hieronymus bosch hertogenbosch actual países bajos h 1450 id 1516 pintor holandés debe su nombre a su ciudad natal en la que al parecer permaneció durante toda su vida

[bosch paintings bio ideas theartstory](#) - Feb 08 2023

web in fact bosch who in spain was known as el bosco and was revered long before the nineteenth century revival of interest in his work is often referred to as the first surrealist and was described by the famous psychoanalyst carl jung

hieronymus bosch wikipedia - Jul 13 2023

web little is known of bosch s life or training he left behind no letters or diaries and what has been identified has been taken from brief references to him in the municipal records of s hertogenbosch and in the account books of the local order of the illustrious brotherhood of our blessed lady

the childrens choir of elbosco wikipedia - Jun 12 2023

web the childrens choir of elbosco was the name of a joint spanish musical group that achieved world success with the song nirvana in 1995 the group consisted of the boys choral group of the escolanía del real monasterio of san lorenzo with boys between 9 and 14 years old along with adult instrumentalists and soloists

explore the collection el bosco museo nacional del prado - Jan 07 2023

web oil on panel 1543 1550 coecke van aelst pieter explore the collection of el bosco check out the 58 explore the collection of museo nacional del prado

el bosco colección museo nacional del prado - Apr 10 2023

web el bosco s hertogenbosch países bajos ca 1450 s hertogenbosch países bajos 1516 jheronimus van aken el bosco formó parte de una familia de pintores que trabajaron durante seis generaciones primero en nimega ducado de gueldre a donde debieron llegar procedentes de aquisgrán aachen si su apellido aken es realmente