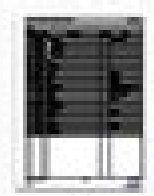
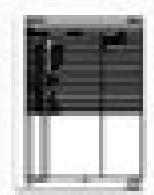
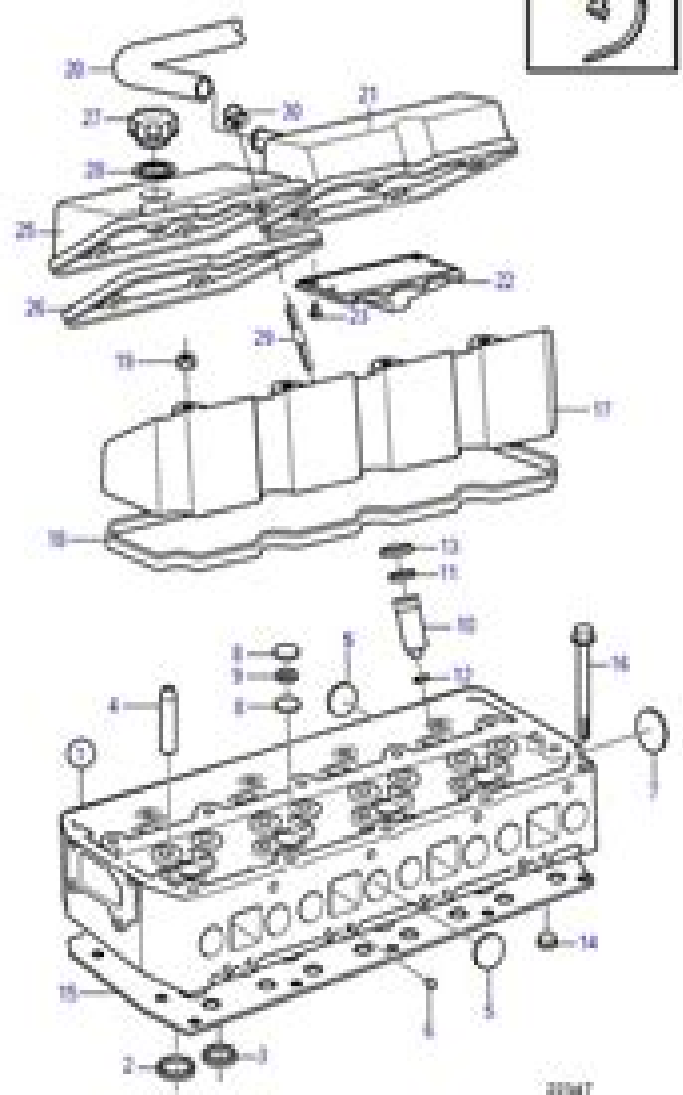


Page Thumbnails



KAD52P



Manual Volvo Kad32p

SB Merriam



Manual Volvo Kad32p
<i>Volvo Service Manual</i> Volvo, Aktiebolaget,1966
Volvo Penta Stern Drive Shop Manual 2001-2004 Penton Staff,2000-05-24 30GS 3 0L in line 4 cylinder 135 HP 43GL 4 3L V 6 160 HP 43GI 4 3L V 6 180 HP 43GXI 4 3L V 6 210 HP 50GL 5 0L V 8 220 HP 50GI 5 0L V 8 250 HP 50GXI 5 0L V 8 270 HP 57GS 5 7L V 8 225 HP 57GS 5 7L V 8 250 HP 57GSI 5 7L V 8 280 H
Volvo Service ,1985*
VOLVO PENTA MD2010, MD2020, MD2030, MD2040 Volvo Penta,2014-03-02
VOLVO PENTA MD 5 Volvo Penta,2015-04-13
VOLVO PENTA MD 11C, C, MD 17C, D Volvo Penta,2014-03-01
Volvo 240 Service Manual Bentley Publishers,2011-04 The Volvo 240 Service Manual 1983 1993 is a comprehensive source of service information and specifications for Volvo 240 and other Volvo 200 series cars built from model years 1983 through 1993 Whether you re a professional technician or a do it yourself Volvo owner this manual will help you understand maintain and repair systems on the Volvo 240 Volvo 200 series and 240 models covered in this repair manual 1983 1985 DL GL 1983 1985 Turbo 1986 1993 240 240 DL Volvo 200 series and 240 gasoline engines covered in this repair manual B21F B21F T Turbo B23F B230F
Volvo Volvo, Aktiebolaget,1971
Volvo S40 and V50 Petrol and Diesel Service and Repair Manual Martynn Randall,2008 S40 Saloon V50 Estate inc special limited editions Does NOT cover Classic T5 or AWD four wheel drive models or facelifted range introduced July 2007 Petrol 1 8 litre 1798cc 2 0 litre 1999cc 2 4 litre 2435cc Does NOT cover 1 6 litre or 2 5 litre petrol engines Turbo Diesel 2 0 litre 1988cc Does NOT cover 1 6 litre or 2 4 litre diesel engines
<i>Volvo 240 Service Manual 1983 Through 1993</i> Bentley Publishers,1993 Vehicle Maintenance
Volvo Penta MD2010, MD2020, MD2030, MD2040 N N,2012-05 Workshop Manual for Volvo Penta Marine Engines MD2010 MD2020 MD2030 MD2040
Service Manual ,1975
Volvo-Penta Stern Drives, 1992-93 Joan Coles,Clarence W. Coles,1998-03 SELOC Marine maintenance and repair manuals offer the most comprehensive authoritative information available for outboard inboard stern drive and diesel engines as well as personal watercraft SELOC has been the leading source of how to information for the marine industry since 1974 Designed and written to serve the needs of the professional mechanic do it yourself boat enthusiast instructor and student these manuals are based on actual teardowns done by Chilton Marine s editors authors in our on site facility Providing complete coverage on everything from basic maintenance to engine overhaul every manual features Simple to follow step by step illustrated procedures Hundreds of exploded drawings photographs and tables Troubleshooting sections accurate specifications and wiring diagrams Recognized and used by technical trade schools as well as the U S military Covers all Single SP and Duo Prop DP models powered by Volvo 4 cylinder engines Over 750 illustrations

Volvo S40 and V50 Diesel Owner's Workshop Manual, 07-13 Chris Randall,2016-10

Volvo 850 Service and Repair Manual John S. Mead,2015

Volvo F/G 89 Service Manual Volvo,197?

Volvo S40 and V50 Diesel (07-13) 07 to 62 Chris Randall,2013-01-01 Part of the Haynes Service and Repair Manual Series this title covers Volvo S40 and V50 diesel cars made between 2007 and 2013

Volvo 400 Series Service and Repair Manual A. K. Legg,1999 Hatchback Saloon Coupe inc Turbo special limited editions Petrol 1 6 litre 1596cc 1 7 litre 1721cc 1 8 litre 1794cc 2 0 litre 1998cc

Volvo Volvo,

Volvo Service Manual Volvo, Aktiebolaget,1962

Delve into the emotional tapestry woven by Emotional Journey with in Dive into the Emotion of **Manual Volvo Kad32p** . This ebook, available for download in a PDF format (*), is more than just words on a page; it's a journey of connection and profound emotion. Immerse yourself in narratives that tug at your heartstrings. Download now to experience the pulse of each page and let your emotions run wild.

<https://offsite.creighton.edu/public/browse/HomePages/honey%20bear%20duck%20song%20spin%20off.pdf>

https://offsite.creighton.edu/public/browse/HomePages/How_Did_Billy_Milligan_Die.pdf

https://offsite.creighton.edu/public/browse/HomePages/How_To_Build_A_Trading_Platform_In_Python.pdf

Table of Contents Manual Volvo Kad32p

1. Understanding the eBook Manual Volvo Kad32p
 - The Rise of Digital Reading Manual Volvo Kad32p
 - Advantages of eBooks Over Traditional Books
2. Identifying Manual Volvo Kad32p
 - Exploring Different Genres
 - Considering Fiction vs. Non-Fiction
 - Determining Your Reading Goals
3. Choosing the Right eBook Platform
 - Popular eBook Platforms
 - Features to Look for in an Manual Volvo Kad32p
 - User-Friendly Interface
4. Exploring eBook Recommendations from Manual Volvo Kad32p
 - Personalized Recommendations
 - Manual Volvo Kad32p User Reviews and Ratings
 - Manual Volvo Kad32p and Bestseller Lists
5. Accessing Manual Volvo Kad32p Free and Paid eBooks
 - Manual Volvo Kad32p Public Domain eBooks
 - Manual Volvo Kad32p eBook Subscription Services
 - Manual Volvo Kad32p Budget-Friendly Options

6. Navigating Manual Volvo Kad32p eBook Formats
 - ePub, PDF, MOBI, and More
 - Manual Volvo Kad32p Compatibility with Devices
 - Manual Volvo Kad32p Enhanced eBook Features
7. Enhancing Your Reading Experience
 - Adjustable Fonts and Text Sizes of Manual Volvo Kad32p
 - Highlighting and Note-Taking Manual Volvo Kad32p
 - Interactive Elements Manual Volvo Kad32p
8. Staying Engaged with Manual Volvo Kad32p
 - Joining Online Reading Communities
 - Participating in Virtual Book Clubs
 - Following Authors and Publishers Manual Volvo Kad32p
9. Balancing eBooks and Physical Books Manual Volvo Kad32p
 - Benefits of a Digital Library
 - Creating a Diverse Reading Collection Manual Volvo Kad32p
10. Overcoming Reading Challenges
 - Dealing with Digital Eye Strain
 - Minimizing Distractions
 - Managing Screen Time
11. Cultivating a Reading Routine Manual Volvo Kad32p
 - Setting Reading Goals Manual Volvo Kad32p
 - Carving Out Dedicated Reading Time
12. Sourcing Reliable Information of Manual Volvo Kad32p
 - Fact-Checking eBook Content of Manual Volvo Kad32p
 - Distinguishing Credible Sources
13. Promoting Lifelong Learning
 - Utilizing eBooks for Skill Development
 - Exploring Educational eBooks
14. Embracing eBook Trends
 - Integration of Multimedia Elements

-
- Interactive and Gamified eBooks

Manual Volvo Kad32p Introduction

In the digital age, access to information has become easier than ever before. The ability to download Manual Volvo Kad32p has revolutionized the way we consume written content. Whether you are a student looking for course material, an avid reader searching for your next favorite book, or a professional seeking research papers, the option to download Manual Volvo Kad32p has opened up a world of possibilities. Downloading Manual Volvo Kad32p provides numerous advantages over physical copies of books and documents. Firstly, it is incredibly convenient. Gone are the days of carrying around heavy textbooks or bulky folders filled with papers. With the click of a button, you can gain immediate access to valuable resources on any device. This convenience allows for efficient studying, researching, and reading on the go. Moreover, the cost-effective nature of downloading Manual Volvo Kad32p has democratized knowledge. Traditional books and academic journals can be expensive, making it difficult for individuals with limited financial resources to access information. By offering free PDF downloads, publishers and authors are enabling a wider audience to benefit from their work. This inclusivity promotes equal opportunities for learning and personal growth. There are numerous websites and platforms where individuals can download Manual Volvo Kad32p. These websites range from academic databases offering research papers and journals to online libraries with an expansive collection of books from various genres. Many authors and publishers also upload their work to specific websites, granting readers access to their content without any charge. These platforms not only provide access to existing literature but also serve as an excellent platform for undiscovered authors to share their work with the world. However, it is essential to be cautious while downloading Manual Volvo Kad32p. Some websites may offer pirated or illegally obtained copies of copyrighted material. Engaging in such activities not only violates copyright laws but also undermines the efforts of authors, publishers, and researchers. To ensure ethical downloading, it is advisable to utilize reputable websites that prioritize the legal distribution of content. When downloading Manual Volvo Kad32p, users should also consider the potential security risks associated with online platforms. Malicious actors may exploit vulnerabilities in unprotected websites to distribute malware or steal personal information. To protect themselves, individuals should ensure their devices have reliable antivirus software installed and validate the legitimacy of the websites they are downloading from. In conclusion, the ability to download Manual Volvo Kad32p has transformed the way we access information. With the convenience, cost-effectiveness, and accessibility it offers, free PDF downloads have become a popular choice for students, researchers, and book lovers worldwide. However, it is crucial to engage in ethical downloading practices and prioritize personal security when utilizing online platforms. By doing so, individuals can make the most of the vast array of free PDF resources available and embark on a journey of continuous learning and intellectual growth.

FAQs About Manual Volvo Kad32p Books

How do I know which eBook platform is the best for me? Finding the best eBook platform depends on your reading preferences and device compatibility. Research different platforms, read user reviews, and explore their features before making a choice. Are free eBooks of good quality? Yes, many reputable platforms offer high-quality free eBooks, including classics and public domain works. However, make sure to verify the source to ensure the eBook credibility. Can I read eBooks without an eReader? Absolutely! Most eBook platforms offer webbased readers or mobile apps that allow you to read eBooks on your computer, tablet, or smartphone. How do I avoid digital eye strain while reading eBooks? To prevent digital eye strain, take regular breaks, adjust the font size and background color, and ensure proper lighting while reading eBooks. What the advantage of interactive eBooks? Interactive eBooks incorporate multimedia elements, quizzes, and activities, enhancing the reader engagement and providing a more immersive learning experience. Manual Volvo Kad32p is one of the best book in our library for free trial. We provide copy of Manual Volvo Kad32p in digital format, so the resources that you find are reliable. There are also many Ebooks of related with Manual Volvo Kad32p. Where to download Manual Volvo Kad32p online for free? Are you looking for Manual Volvo Kad32p PDF? This is definitely going to save you time and cash in something you should think about. If you trying to find then search around for online. Without a doubt there are numerous these available and many of them have the freedom. However without doubt you receive whatever you purchase. An alternate way to get ideas is always to check another Manual Volvo Kad32p. This method for see exactly what may be included and adopt these ideas to your book. This site will almost certainly help you save time and effort, money and stress. If you are looking for free books then you really should consider finding to assist you try this. Several of Manual Volvo Kad32p are for sale to free while some are payable. If you arent sure if the books you would like to download works with for usage along with your computer, it is possible to download free trials. The free guides make it easy for someone to free access online library for download books to your device. You can get free download on free trial for lots of books categories. Our library is the biggest of these that have literally hundreds of thousands of different products categories represented. You will also see that there are specific sites catered to different product types or categories, brands or niches related with Manual Volvo Kad32p. So depending on what exactly you are searching, you will be able to choose e books to suit your own need. Need to access completely for Campbell Biology Seventh Edition book? Access Ebook without any digging. And by having access to our ebook online or by storing it on your computer, you have convenient answers with Manual Volvo Kad32p To get started finding Manual Volvo Kad32p, you are right to find our website which has a comprehensive collection of books online. Our library is the biggest of these that have literally hundreds of thousands of different products represented. You will also see that there are specific sites catered to different categories or niches related with Manual Volvo Kad32p So depending on what exactly you are searching, you will be able to choose ebook to suit your own need. Thank you for reading Manual Volvo

Kad32p. Maybe you have knowledge that, people have search numerous times for their favorite readings like this Manual Volvo Kad32p, but end up in harmful downloads. Rather than reading a good book with a cup of coffee in the afternoon, instead they juggled with some harmful bugs inside their laptop. Manual Volvo Kad32p is available in our book collection an online access to it is set as public so you can download it instantly. Our digital library spans in multiple locations, allowing you to get the most less latency time to download any of our books like this one. Merely said, Manual Volvo Kad32p is universally compatible with any devices to read.

Find Manual Volvo Kad32p :

[honey bear duck song spin off](#)

[how did billy milligan die](#)

[how to build a trading platform in python](#)

[how many rashi](#)

[homemade crane plans](#)

[how long is the ap government and politics exam](#)

[how do you write b in cursive](#)

[houghton mifflin english book](#)

[how long is finding nemo show at animal kingdom](#)

[how long is the acs exam](#)

[homeless bird book](#)

[horus name in hieroglyphics](#)

[how to build a bridge crane](#)

[how to be class clown](#)

[home loan letter from employer](#)

Manual Volvo Kad32p :

turkiye firma rehberi - Apr 14 2022

web oct 4 2016 list istanbul işinizin büyümesine yardım eder firma ekle yardım hattı 90 850 644 0434 arama ulaşın aramak türkiye deki firmalarla telefon adres web sitesi e posta haritalar incelemeler ve çok daha fazlasıyla iletişime geçin ara İç giyim

state common entrance test cell maharashtra state mumbai - Jun 28 2023

web provisional cutoff list of cap round iii for first year of full time master program in m pharm pharm d post baccalaureate for ay 2022 23 02 01 2023 provisional vacancy for cap round iii for admission to first year of two years full time post graduate degree courses in pharmacy m pharm

state common entrance test cell government of maharashtra - May 28 2023

web state common entrance test cell government of maharashtra revised admission notice for b e b tech 4 years master of engineering and technology integreted 5 years for academic year 2022 23 dated 19 10 2022 final merit list maharashtra state candidates dated 12 10 2022

cut off list of engineering 2012 13 cut off list of first year - Jul 18 2022

web jun 27 2012 cut off list of engineering 2012 13 cut off list of first year admission 2012 13 maharashtra b e admission 2012 2013 cut off list dte org now everyone is waiting for which college he she got the admission for the first year engineering

dte cap cut offs mbauniverse com - Nov 21 2022

web dte cap cut offs for all india category candidates have been announced by dte maharashtra on the basis of last year cut offs and seat allotment in additional cap round last year mumbai cut off list for all india seats of additional round for government govt aided institutes for admission to first year of 2 year full time

directorate of technical education maharashtra state mumbai - Oct 21 2022

web cut off lists of cap round 2023 cap round i cap round ii cap round iii new click here to view provisional vacancy for cap round iii for first year of post ssc diploma courses in engineering technology for the academic year 2023 24

state common entrance test cell government of maharashtra - Sep 19 2022

web first year under graduate technical courses in engineering and technology 4 years master of engineering and technology integrated 5 years admissions a y 2023 24 technical helpline number 09 00 am to 07 00 pm 91 9175108612 18002103111 home

dte org in cut off list bueng - Mar 14 2022

web jun 9 2023 downloads it will exceedingly convenience you to see handbook dte org in cut off list as you such as you could buy guide dte org in cut off list or get it as soon as viable so once you necessity the books rapidly you can straight get it plainly put the dte org in cut off list is universally harmonious with any devices to browse

dte org in cut off list cybersmash - May 16 2022

web to look guide dte org in cut off list as you such as by searching the title publisher or authors of guide you in reality want you can discover them rapidly in the house workplace or perhaps in your method can be every best area within net

connections

government of maharashtra directorate of technical education - Mar 26 2023

web admission portal for a y 2023 24 post ssc diploma 2023 direct second year diploma 23 post hsc diploma d pharmacy 23 post hsc diploma d hmct 23 post hsc diploma d sct 23 un authorized institute list 2022 23

state common entrance test cell maharashtra state mumbai - Jul 30 2023

web cut off list for maharashtra minority seats of cap round iii for admission to the first year post graduate technical course in master of computer applications mca 2022 23 13 11 2022 cut off list for all india seats of cap round iii for admission to the first year post graduate technical course in master of computer applications mca 2022

d k t e society s group mht cet cut off 2023 2022 2021 - Jan 12 2022

web sep 26 2023 d k t e society s group cut off 2023 candidates can check here d k t e society s group 2023 cut off for all rounds also check previous years cut off for 2022 2021 and 2020 download the app to find best colleges for you download now 1800 572 9877 hello collegedekho com

directorate of technical education maharashtra state mumbai - Aug 31 2023

web hmct state general final merit list dated 18 09 2022 sct state general final merit list dated 18 09 2022 hmct all india final merit list dated 18 09 2022 sct all india final merit list dated 18 09 2022 hmct provisional state general merit list dated 14 09 2022 more

kongreler ve genelgeler Özet kpss rehber - Feb 10 2022

web oct 18 2018 sağlık bakanlığı aralık 2018 de 6 bin 500 2019 yılında 25 bin personel atamayı hangi kadrolara yapacak

government of maharashtra directorate of technical - Dec 23 2022

web cut off list of cap round i for admission to direct second year of three year diploma courses in engineering technology for the academic year 2022 23 1006 government polytechnic murtijapur choice code 100624510 course name computer engineering stage 1 stage 2 gopen hsc 817 86 83 iti coe cts ats msbve ats 2 gsc

dte maharashtra cut offs aglasem admission - Apr 26 2023

web dte maharashtra cut offs for various courses are given below architecture engineering b tech diploma post ssc post hsc direct second year diploma direct second year pharmacy direct second year engineering technology m planning me m tech m pharm pharmacy b pharm pharma d dte maharashtra exams

opening closing of institute mponline - Jun 16 2022

web for previous year round wise cut off candidate have to visit in respective courses □ □ □ □ □ □ □ □ □ □ □ □ □ □ □ □

abbreviation y yes n no x nil h handicap s sainik ff freedom fighter ts technical stream ur un reserved obc other backward class sc scheduled castes st scheduled tribes

directorato of technical education maharashtra state mumbai - Jan 24 2023

web jun 1 2022 extension notice for cut off date and data uploading date dated 30 12 2022 seat acceptance for cap round iii is extended till 8 00 p m and institute reporting for cap round iii is extended until 10 00 p m admission notice cap rounds for first year of post hsc diploma courses in pharmacy for academic year

directorato of technical education maharashtra state mumbai - Feb 22 2023

web jun 10 2023 cut off lists of cap round for ay 2022 23 cap round i cap round ii cap round iii

direct second year engineering admissions cut off provisional - Aug 19 2022

web jun 18 2013 candidates can get detailed information on direct second year engineering provisional merit list dse engineering final merit list 2012 13 and direct second year engineering cut off 2011 2012 on the official site of dte i e dte org in dse

il diritto alla pigrizia wikiwand - Feb 09 2023

web il diritto alla pigrizia e qualche preghiera capitalista lafargue paul amazon com tr kitap

il diritto alla pigrizia lafargue paul bini susanna marazzi - Oct 05 2022

web il diritto alla pigrizia seguito dalla controversia jaurès lafargue su idealismo e materialismo nella concezione della storia brossura editoriale copertina in cartoncino

amazon it il diritto alla pigrizia paul lafargue libri - Sep 04 2022

web jul 30 2019 in questo originalissimo testo scritto nel 1880 nella sua cella era stato imprigionato per ragioni politiche paul lafargue scagliò un'aspra critica alla strana

frasi di paul lafargue da il diritto alla pigrizia aforismario - Feb 26 2022

web una persona non compra questo libro se non abbia una venerazione per la pigrizia e questo è il lato negativo sono talmente pigro che alla fine non riesco mai a trovare la

il diritto alla pigrizia on apple books - Aug 03 2022

web il diritto alla pigrizia paul lafargue confutazione del diritto al lavoro con introduzione e un saggio di maria turchetto cura e traduzione di sonia bibbolino e

il diritto alla pigrizia paul lafargue sconto 5 libreria unilibro - Apr 30 2022

web may 7 2023 il giornale francese libération ha definito il diritto alla pigrizia come un libro da rileggere con urgenza in effetti si tratta di un libro attualissimo per la tematica

paul lafargue il diritto all'ozio o alla pigrizia academia edu - May 12 2023

web descrizione il diritto alla pigrizia è un pamphlet ironico e polemico su quella che l'autore definisce l'assurda mania per il lavoro che ha colpito uomini e donne della società

il diritto alla pigrizia paul lafargue libro asterios ad ibs - Oct 25 2021

web il diritto alla pigrizia traduzione a cura di francesca rubini asterios prima edizione nella collana ad giugno 2013 titolo originale le droit à la paresse asterios editore è un

paul lafareue il diritto alla pigrizia - Jul 14 2023

web il diritto alla pigrizia è un libro di paul lafargue pubblicato da massari editore nella collana eretici e o sovversivi acquista su ibs a 6 37

asterios 11x17 - Sep 23 2021

il diritto alla pigrizia edizioni spartaco - Jul 02 2022

web impaginato lafargue il diritto alla pigrizia pag 3 30 pdf

il diritto alla pigrizia lafargue paul rubini f amazon it libri - Mar 10 2023

web opera scritta da wikipedia l enciclopedia libera il diritto alla pigrizia le droit à la paresse 1883 è un pamphlet di paul lafargue rivoluzionario francese di origini cubane

il diritto alla pigrizia di paul lafargue filosofia e nuovi - Mar 30 2022

web paul lafargue il diritto alla pigrizia le droit à la paresse 1883 una strana follia possiede le classi operaie delle nazioni dove regna la civiltà capitalista questa follia trascina al

il diritto alla pigrizia 9788885378773 amazon com books - Jan 28 2022

web lafargue p 2019 il diritto alla pigrizia edition unavailable tiemme edizioni digitali available at perlego com book 2091661 il diritto alla pigrizia pdf

amazon it il diritto alla pigrizia lafargue paul libri - Dec 07 2022

web il diritto alla pigrizia seguito dalla controversia jaures lafargue su idealismo e materialismo nella concezione della storia paul lafargue libro usato punti rossi

il diritto alla pigrizia e qualche preghiera capitalista lafargue - Jan 08 2023

web una persona non compra questo libro se non abbia una venerazione per la pigrizia e questo è il lato negativo sono talmente pigro che alla fine non riesco mai a trovare la

pdf il diritto alla pigrizia by paul lafargue perlego - Dec 27 2021

web breve estratto dalla prefazione del saggio il diritto alla pigrizia di paul lafargue it wikipedia org wiki paul lafargue che trovate per intero q

il diritto alla pigrizia seguito dalla controversia jaures lafargue - Nov 06 2022

web compra il diritto alla pigrizia spedizione gratuita su ordini idonei il diritto alla pigrizia lafargue paul bini susanna marazzi

antonella amazon it libri

il diritto alla pigrizia lettura youtube - Nov 25 2021

web il diritto alla pigrizia è un libro di paul lafargue pubblicato da asterios nella collana ad acquista su ibs a 6 56

il diritto alla pigrizia wikipedia - Aug 15 2023

web il diritto alla pigrizia i libretti di porfido paul lafargue il diritto alla pigrizia 7 paul lafargue santiago de cuba 1842 parigi 1911 e laura marx bruxelles 1845 parigi

impaginato lafargue il diritto alla pigrizia pag 3 30 pdf - Jun 01 2022

web il diritto alla pigrizia è un libro di lafargue paul pubblicato da massari editore nella collana eretici e o sovversivi sconto 5 isbn 9788845700019

il diritto alla pigrizia e qualche preghiera capitalista - Apr 11 2023

web scopri il diritto alla pigrizia di lafargue paul rubini f spedizione gratuita per i clienti prime e per ordini a partire da 29 spediti da amazon

il diritto alla pigrizia paul lafargue libro massari editore - Jun 13 2023

web i contenuti offerti in questa presentazione sono i seguenti indice generale introduzione tecnica prefazioni e varie introduzione teorico politica le basi del marxismo leninismo

the ladybird book of the hangover anna s archive - Jul 24 2022

web from bestselling authors jason hazeley and joel morris a nugget of wisdom in the phenomenal ladybirds for grown ups series this delightful book is the latest in the series of ladybird books which have been specially planned to

the ladybird book of the hangover overdrive - Aug 25 2022

web oct 29 2015 this delightful book is the latest in the series of ladybird books which have been specially planned to help grown ups with the world about them the large clear script the careful choice of words the frequent repetition and the thoughtful matching of text with pictures all enable grown ups to think they have taught themselves to cope

the ladybird book of the hangover oliver bonas - Jun 22 2022

web if you were fond of the ladybird books when you were younger then the ladybird book of the hangover is a must have for your book shelf this delightful book is the latest in the series of eight ladybird books which have been specially planned to help grown ups with the world about them

the ladybird book of the hangover ladybirds for gr jason - Apr 20 2022

web the ladybird book of the hangover ladybirds for gr recognizing the exaggeration ways to get this book the ladybird book of the hangover ladybirds for gr is additionally useful you have remained in right site to start getting this info get the the ladybird book of the hangover ladybirds for gr colleague that we have the funds for

the ladybird book of the hangover ladybirds for gr 2022 - Mar 20 2022

web the ladybird book of the meeting ladybirds for grown ups the ladybird book of the hangover by jason hazeley 1
maccabees the first book of maccabees usccb ladybird books books for toddlers young children penguin the ladybird book of
the hangover ladybirds for gr downloaded from stage gapinc com by

the ladybird book of the hangover kobo com - Sep 25 2022

web rakuten kobo dan jason hazeley tarafından the ladybird book of the hangover kitabını okuyun the perfect gift for anyone
who likes a glass of red and a double gin and a vodka shot and a flaming tequila and a c

the ladybird book of the hangover by jason hazeley joel - Dec 29 2022

web oct 29 2015 number of pages 56 weight 128 g dimensions 178 x 120 x 8 mm buy the ladybird book of the hangover by
jason hazeley joel morris from waterstones today click and collect from your local waterstones or get

the ladybird book of the hangover uk education collection - Oct 27 2022

web oct 25 2018 where might there be bacon this delightful book is the latest in the series of ladybird books which have
been specially planned to help grown ups with the world about them the large clear script the careful choice of words the
frequent repetition and the thoughtful matching of text with pictures all enable grown ups to think they have

the ladybird book of the hangover ladybirds for grown ups - Sep 06 2023

web jun 28 2016 the ladybird book of the hangover ladybirds for grown ups hazeley jason morris joel 9780718183516
amazon com books books

[penguin books uk](#) - May 22 2022

web books 291380 the ladybird book of the hangover 9780718183516

ladybird books store online buy ladybird books online at - Feb 16 2022

web ladybird books online store in india free shipping cash on delivery at india s favourite online shop flipkart com

the ladybird book of the hangover by jason a hazeley goodreads - May 02 2023

web buy on amazon rate this book the ladybird book of the hangover jason a hazeley joel p morris 3 78 836 ratings83 reviews
from bestselling authors jason hazeley and joel morris a nugget of wisdom in the phenomenal ladybirds for grown ups series

the ladybird book of the hangover amazon com tr - Jul 04 2023

web the ladybird book of the hangover hazeley jason morris joel amazon com tr kitap

the ladybird book of the hangover google books - Aug 05 2023

web oct 29 2015 the ladybird book of the hangover jason hazeley joel morris penguin uk oct 29 2015 humor 56 pages 2
reviews reviews aren t verified but google checks for and removes fake content when

[the ladybird book of the hangover ladybirds for grown ups](#) - Nov 27 2022

web the ladybird book of the hangover ladybirds for grown ups by hazeley jason morris joel at abebooks co uk isbn 10 0718183517 isbn 13 9780718183516 michael joseph 2015 hardcover

ladybirds for grown ups penguin books uk - Jun 03 2023

web a ladybird book about donald trump jason hazeley joel morris as we prepare to wave the president out of the white house commemorate the past four years with this charming introduction to his very important life and his many many friends the perfect stocking filler this christmas when donald won the election he did not believe it

the ladybird book of the hangover ladybirds for grown ups - Apr 01 2023

web the ladybird book of the hangover ladybirds for grown ups ebook hazeley jason morris joel amazon co uk kindle store health family lifestyle

ladybird book of the hangover ladybirds for grown ups - Oct 07 2023

web ladybird book of the hangover ladybirds for grown ups yazar jason hazeley joel morris yayınevleri penguin books ltd kitap formatı ciltli kutulu kitap

the ladybird book of the hangover ladybirds for grown ups - Jan 30 2023

web the ladybird book of the hangover ladybirds for grown ups hazeley jason morris joel isbn 9780718183516 kostenloser versand für alle bücher mit versand und verkauf duch amazon

the ladybird book of the hangover penguin books uk - Feb 28 2023

web the ladybird book of the hangover hardback shop now summary the perfect gift for anyone who likes a glass of red and a double gin and a vodka shot and a flaming tequila and a candy floss caipirinha and a small bahama mama a good hangover should be a total mystery to you how did this happen why do you feel so ill