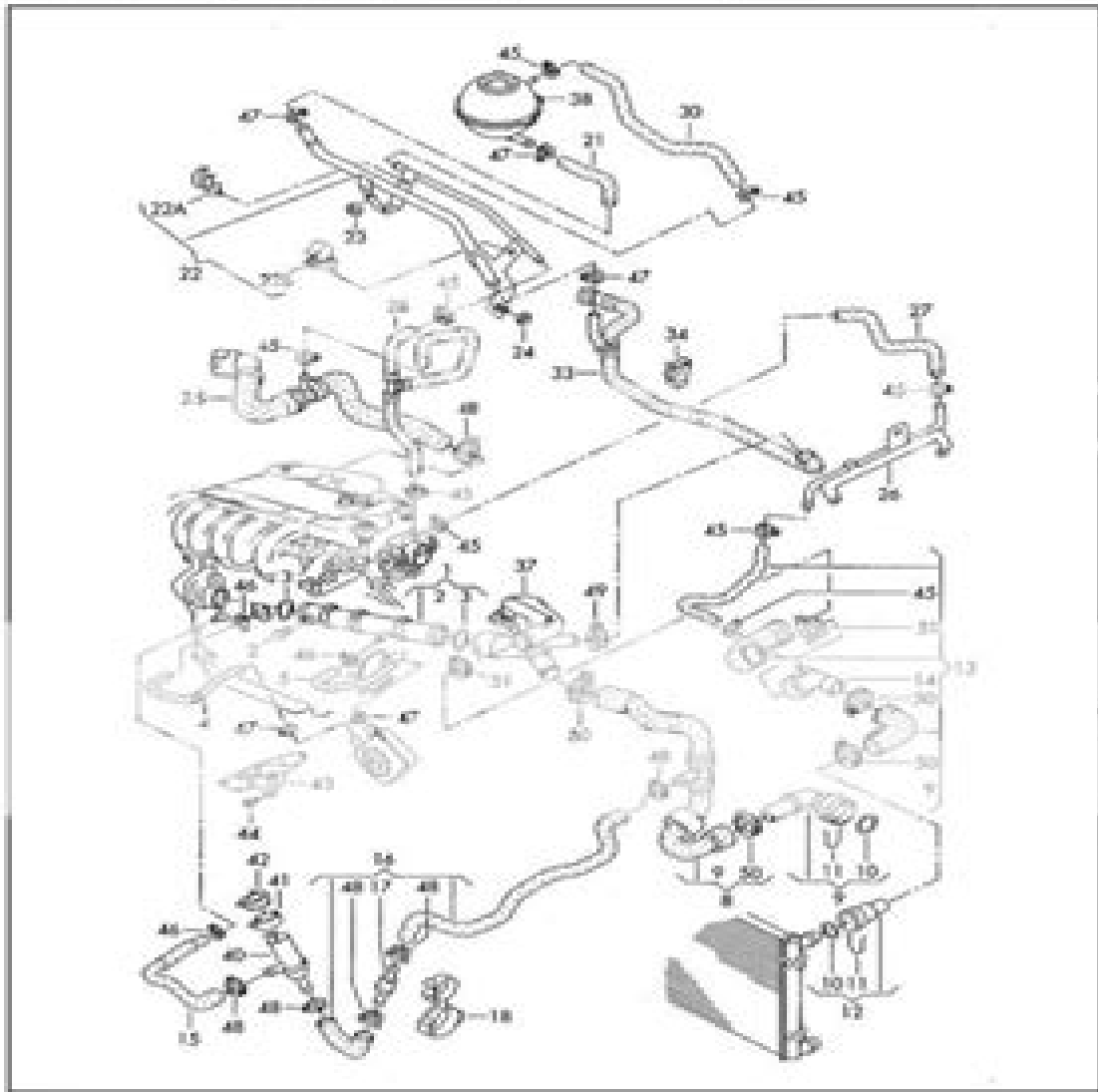




ETKA

Model	Year	MO	DO	Illustration	Restrictions	UFD	18-24	05.09.2011
GOLF	2003	1	21	121-61		724		



Engine Diagram Vw R32

Les Underhill, Dave Bradfield



Engine Diagram Vw R32

VW Golf, GTI, & Jetta, '99-'05 John H Haynes, 2008-06-15 Haynes offers the best coverage for cars trucks vans SUVs and motorcycles on the market today Each manual contains easy to follow step by step instructions linked to hundreds of photographs and illustrations Included in every manual troubleshooting section to help identify specific problems tips that give valuable short cuts to make the job easier and eliminate the need for special tools notes cautions and warnings for the home mechanic color spark plug diagnosis and an easy to use index *Water-Cooled VW Performance Handbook* Greg Raven, Chad Erickson, 2011-05-15 Turn your VW into a high performance machine Chad Erickson explains everything from low buck bolt ons to CNC machined mods Learn how to choose install tune and maintain performance equipment for Golfs GTIs Jettas Passats and more This book will help improve your VW s engine transmission and clutch ignition carburetion fuel injection suspension and handling brakes body and chassis In its 3rd edition Water Cooled VW Performance Handbook is now updated to include new engines body styles and modifications for the 1986 2008 model years **Volkswagen Rabbit, GTI (A5) Service Manual: 2006, 2007, 2008, 2009: 2.0l Fsi, 2.5l** Bentley Publishers, 2010-10-01 The Volkswagen Rabbit GTI Service Manual 2006 2009 is a comprehensive source of service information and specifications for Rabbit and GTI models built on the A5 platform from 2006 to 2009 Whether you re a professional or a do it yourself Volkswagen owner this manual will help you understand care for and repair your vehicle Engines covered 2.0L FSI turbo gasoline engine code BPY CBFA CCTA 2.5L gasoline engine code BGP BGQ CBTA CBUA Transmissions covered 0A4 5 speed manual 02Q 6 speed manual 09G 6 speed automatic 02E 6 speed DSG [Volkswagen Rabbit, GTI](#) Bentley Publishers, 2008 The Volkswagen Rabbit GTI Service Manual 2006 2009 is a comprehensive source of service information and specifications for Rabbit and GTI models built on the A5 platform from 2006 to 2009 Whether you re a professional or a do it yourself Volkswagen owner this manual will help you understand care for and repair your vehicle Though the do it yourself Volkswagen owner will find this manual indispensable as a source of the same detailed maintenance and repair information available at an authorized Volkswagen dealer the Volkswagen owner who has no intention of working on his or her car will find that reading and owning this manual will make it possible to discuss repairs more intelligently with a professional technician Engines covered 2.0L FSI turbo gasoline engine code BPY CBFA CCTA 2.5L gasoline engine code BGP BGQ CBTA CBUA Transmissions covered 0A4 5 speed manual 02Q 6 speed manual 09G 6 speed automatic 02E 6 speed DSG **Volkswagen Jetta, Golf, GTI (A4) Service Manual: 1999, 2000, 2001, 2002, 2003, 2004, 2005: 1.8l Turbo, 1.9l Tdi Diesel, Pd Diesel, 2.0l Gasoline, 2.8l** Bentley Publishers, 2011-06-01 The Volkswagen Jetta Golf GTI Service Manual 1999 2005 contains in depth maintenance service and repair information for Volkswagen Jetta Golf and GTI models from 1999 to 2005 built on the A4 platform Whether you re a professional or a do it yourself Volkswagen owner this manual will help you understand care for and repair your

Volkswagen Engines covered 1 8L turbo gasoline engine codes AWD AWW AWP 1 9L TDI diesel engine code ALH 1 9L Turbo diesel Pumpe D se PD engine code BEW 2 0L gasoline engine codes AEG AVH AZG BBW BEV 2 8L gasoline engine code AFP BDF Transmissions covered remove install external service 02J 5 speed manual 02M 6 speed manual 01M 4 speed automatic 09A 5 speed automatic

Vehicle Dynamics Reza N. Jazar,2013-11-19 This textbook is appropriate for senior undergraduate and first year graduate students in mechanical and automotive engineering The contents in this book are presented at a theoretical practical level It explains vehicle dynamics concepts in detail concentrating on their practical use Related theorems and formal proofs are provided as are real life applications Students researchers and practicing engineers alike will appreciate the user friendly presentation of a wealth of topics most notably steering handling ride and related components This book also Illustrates all key concepts with examples Includes exercises for each chapter Covers front rear and four wheel steering systems as well as the advantages and disadvantages of different steering schemes Includes an emphasis on design throughout the text which provides a practical hands on approach

Volkswagen Jetta, Golf, GTI 1999, 2000, 2001, 2002, 2003, 2004, 2005 Bentley Publishers,2005 Bentley Publishers is proud to announce the publication of the Volkswagen Jetta Golf GTI Service Manual 1999 2005 This repair manual covers the late 1999 through 2005 model year Jetta Golf and GTI built on the Volkswagen A4 platform New coverage of the 1 9 Liter TDI Engine with Pump Injection Pumpe D se has been added to this edition along with 114 pages of new wiring diagrams and extensive revisions throughout the manual Bentley repair manuals provide the highest level of clarity and comprehensiveness for all service and repair procedures If you re looking for better understanding of your Volkswagen look no further than Bentley

Automotive Transmissions Yong Chen,2020-07-30 This book introduces readers to the theory design and applications of automotive transmissions It covers multiple categories e g AT AMT CVT DCT and transmissions for electric vehicles each of which has its own configuration and characteristics In turn the book addresses the effective design of transmission gear ratios structures and control strategies and other topics that will be of particular interest to graduate students researchers and engineers Moreover it includes real world solutions simulation methods and testing procedures Based on the author s extensive first hand experience in the field the book allows readers to gain a deeper understanding of vehicle transmissions

Introstat Les Underhill,Dave Bradfield,1996-12-31 An introduction to applied statistics this text assumes a basic understanding of differentiation and integration

Handbook of Air Conditioning and Refrigeration Shan K. Wang,2000-11-07 A broad range of disciplines energy conservation and air quality issues construction and design and the manufacture of temperature sensitive products and materials is covered in this comprehensive handbook Provide essential up to date HVAC data codes standards and guidelines all conveniently located in one volume A definitive reference source on the design selection and operation of A C and refrigeration systems

Multiphysics Simulation by Design for Electrical Machines, Power Electronics and Drives Marius Rosu,Ping Zhou,Dingsheng Lin,Dan M. Ionel,Mircea Popescu,Frede

Blaabjerg, Vandana Rallabandi, David Staton, 2017-12-18 Presents applied theory and advanced simulation techniques for electric machines and drives This book combines the knowledge of experts from both academia and the software industry to present theories of multiphysics simulation by design for electrical machines power electronics and drives The comprehensive design approach described within supports new applications required by technologies sustaining high drive efficiency The highlighted framework considers the electric machine at the heart of the entire electric drive The book also emphasizes the simulation by design concept a concept that frames the entire highlighted design methodology which is described and illustrated by various advanced simulation technologies Multiphysics Simulation by Design for Electrical Machines Power Electronics and Drives begins with the basics of electrical machine design and manufacturing tolerances It also discusses fundamental aspects of the state of the art design process and includes examples from industrial practice It explains FEM based analysis techniques for electrical machine design providing details on how it can be employed in ANSYS Maxwell software In addition the book covers advanced magnetic material modeling capabilities employed in numerical computation thermal analysis automated optimization for electric machines and power electronics and drive systems This valuable resource Delivers the multi physics know how based on practical electric machine design methodologies Provides an extensive overview of electric machine design optimization and its integration with power electronics and drives Incorporates case studies from industrial practice and research and development projects Multiphysics Simulation by Design for Electrical Machines Power Electronics and Drives is an incredibly helpful book for design engineers application and system engineers and technical professionals It will also benefit graduate engineering students with a strong interest in electric machines and drives

Essential Mathematics for Games and Interactive Applications James M. Van Verth, Lars M.

Bishop, 2008-05-19 Essential Mathematics for Games and Interactive Applications 2nd edition presents the core mathematics necessary for sophisticated 3D graphics and interactive physical simulations The book begins with linear algebra and matrix multiplication and expands on this foundation to cover such topics as color and lighting interpolation animation and basic game physics Essential Mathematics focuses on the issues of 3D game development important to programmers and includes optimization guidance throughout The new edition Windows code will now use Visual Studio NET There will also be DirectX support provided along with OpenGL due to its cross platform nature Programmers will find more concrete examples included in this edition as well as additional information on tuning optimization and robustness The book has a companion CD ROM with exercises and a test bank for the academic secondary market and for main market code examples built around a shared code base including a math library covering all the topics presented in the book a core vector matrix math engine and libraries to support basic 3D rendering and interaction

The Hack Mechanic Guide to European Automotive Electrical Systems Rob Siegel, 2016-06-27 Electrical issues in European cars can be intimidating The Hack Mechanic Guide to European Automotive Electrical Systems shows you how to think about electricity in your car and then take on real world

electrical problems The principles discussed can be applied to most conventional internal combustion engine vehicles with a focus on European cars spanning the past six decades Drawing on The Hack Mechanic's wisdom and experience the 38 chapters cover key electrical topics such as battery starter alternator ignition circuits and relays Through a practical and informal approach featuring hundreds of full color illustrations author Rob Siegel takes the fear factor out of projects like making wire repairs measuring voltage drops or figuring out if you have a bad fuel pump relay Essential tools such as multimeters DVOM oscilloscopes and scan tools are discussed with special attention given to the automotive multimeter needed to troubleshoot many modern sensors You'll get step by step troubleshooting procedures ranging from safely jump starting a battery to diagnosing parasitic current drain and vehicle energy diagnosis And you'll find detailed testing procedures for most problematic electrical components on your European car such as oxygen sensors crankshaft and camshaft sensors wheel speed sensors fuel pumps solenoids and actuators Reading wiring diagrams and decoding the German DIN standard are also covered Whether you are a DIY mechanic or a professional technician The Hack Mechanic Guide to European Automotive Electrical Systems will increase your confidence in tackling automotive electrical problem solving This book applies to gasoline and diesel powered internal combustion engine vehicles Not intended for hybrid or electric vehicles

100 Ways to Create a Great Ad Tim Collins,2014-08-11 100 Ways to Create a Great Ad is an accessible introduction to creative advertising techniques Featuring 100 spreads detailing concepts such as the Reveal and the Mash up it presents the key methods of devising print television radio direct and online ideas The process of creating an ad can be divided into three steps planning concept creation crafting This book provides a straightforward guide to concept creation including methods that are applicable across media and offering wide ranging examples from international campaigns Aimed at agency creatives planners and account handlers as well as graphic designers marketing professionals and students 100 Ways to Create a Great Ad has wide ranging appeal

Reversible Computation: Extending Horizons of Computing Irek Ulidowski,Ivan Lanese,Ulrik Pagh Schultz,Carla Ferreira,2020-05-13 This open access State of the Art Survey presents the main recent scientific outcomes in the area of reversible computation focusing on those that have emerged during COST Action IC1405 Reversible Computation Extending Horizons of Computing a European research network that operated from May 2015 to April 2019 Reversible computation is a new paradigm that extends the traditional forwards only mode of computation with the ability to execute in reverse so that computation can run backwards as easily and naturally as forwards It aims to deliver novel computing devices and software and to enhance existing systems by equipping them with reversibility There are many potential applications of reversible computation including languages and software tools for reliable and recovery oriented distributed systems and revolutionary reversible logic gates and circuits but they can only be realized and have lasting effect if conceptual and firm theoretical foundations are established first

Advances in Theory and Practice of Computational Mechanics Lakhmi C. Jain,Margarita N. Favorskaya,Iliia S.

Nikitin,Dmitry L. Reviznikov,2020-03-31 This book discusses physical and mathematical models numerical methods computational algorithms and software complexes which allow high precision mathematical modeling in fluid gas and plasma mechanics general mechanics deformable solid mechanics and strength destruction and safety of structures These proceedings focus on smart technologies and software systems that provide effective solutions to real world problems in applied mechanics at various multi scale levels Highlighting the training of specialists for the aviation and space industry it is a valuable resource for experts in the field of applied mathematics and mechanics mathematical modeling and information technologies as well as developers of smart applied software systems *Clifford Algebras with Numeric and Symbolic Computations*

Rafal Ablamowicz,Joseph Parra,Pertti Lounesto,2012-12-06 This edited survey book consists of 20 chapters showing application of Clifford algebra in quantum mechanics field theory spinor calculations projective geometry Hypercomplex algebra function theory and crystallography Many examples of computations performed with a variety of readily available software programs are presented in detail *VW Golf, GTI, Jetta and Cabrio, 1999 Thru 2002*

Jay Storer,John H. Haynes,Haynes Manuals,2003 Models covered VW Golf GTI Jetta and Cabrio 1999 through 2002

Chickenfriend Penny S. Roth,2018-10 A down home story straight from the chicken coop Josi loves her animals and her favorite is especially quirky His name proclaims it Chickenfriend But when new chickens arrive on the farm things get a little clucky His feathers get ruffled and Chickenfriend reacts in the worst way Will their friendship survive And can it ever be the same Children and their adults will love this delightfully honest book about friendship faith and feelings *Pocket Mechanic* Peter RUSSEK (Author.),1989-12-01

understanding the discriminant of a quadratic equation practice - Mar 22 2022

web use the discriminant of the following quadratic equation to determine the type of roots it has $6x^2 - 39x + 60 = 0$ use the discriminant of the following quadratic equation to

discriminant exam questions madasmaths - Feb 18 2022

web discriminant exam questions 7 basic questions show by using the discriminant that the graph of the curve with equation does not cross the x axis question 2 show that the quadratic equation $2x^2 + 4x + 10 = 0$ proof $2x^2 + k^2x + k^3 - k = 0$ has two distinct real roots in x for all values of the constant k

practice quiz 2 the quadratic formula and the discriminant - Oct 09 2023

web practice quiz 2 the quadratic formula and the discriminant part 1 use the quadratic formula to solve each quadratic function no decimal answers $1x^2 + 2x + 3 = 0$ part 3 given the discriminant of a quadratic tell if it has two solutions

the quadratic formula and the discriminant flashcards quizlet - Nov 17 2021

web terms in this set 17 quadratic formula $x = \frac{-b \pm \sqrt{b^2 - 4ac}}{2a}$ discriminant $b^2 - 4ac$ quadratic formula song pop goes the weasel

x equals negative b plus or minus square root of $b^2 - 4ac$ all over two a

[quadratic functions equations algebra 1 math khan academy](#) - Jul 06 2023

web solve by completing the square non integer solutions worked example completing the square leading coefficient 1 solving quadratics by completing the square no solution proof of the quadratic formula solving quadratics by completing the square completing the square review quadratic formula proof review

[2 04 the quadratic formula discriminant adaptive practice](#) - Aug 27 2022

web adaptive practice 2 04 the quadratic formula discriminant mathspace is an all in one learning resource wherever you are we bring all of your learning tools together in one place from video lessons textbooks to adaptive practice encourage your students to become self directed learners

[7 2 quiz quadratic formula the discriminant flashcards](#) - Aug 07 2023

web use the quadratic formula to find the solution $s x^2 - 8x + 4 = 0$ $x = 4 \pm 2i$

[practice the quadratic formula and the discriminant](#) - Apr 22 2022

web explore and practice nagwa s free online educational courses and lessons for math and physics across different grades available in english for egypt watch videos and use nagwa s tools and apps to help students achieve their full potential practice the quadratic formula and the discriminant lesson menu lesson worksheet

[quadratic formula and the discriminant effortless math](#) - May 24 2022

web quadratic formula and the discriminant find the value of the discriminant of each quadratic equation 1 0 2 2 2 1 0 3 2 3 5 0 4 2 4 0 5 2 2 0 6 2 4 6 0 7 2 5 2 0 8 2 2 2 7 0 9 2 2 3 9 0 2 10 2 5 4 0 2 5 11 2 0 3 12 2 6 2 0 4 13 2 4 5 0

quadratic formula and the discriminant andymath com - Dec 19 2021

web the quadratic formula is given by the equation $x = \frac{-b \pm \sqrt{b^2 - 4ac}}{2a}$ where a b and c are the coefficients of the quadratic equation and x is the variable the discriminant of a quadratic equation is the part of the quadratic formula under the square root sign which is $b^2 - 4ac$ the value of the discriminant determines the number and

understanding the discriminant in a quadratic formula - Jan 20 2022

web apr 3 2021 for the purpose of this topic however we will focus on the quadratic formula the discriminant of a quadratic formula you can solve all quadratic equations using the quadratic formula method because of its versatility we call it the almighty formula you can find the roots of a quadratic equation using $x = \frac{-b \pm \sqrt{b^2 - 4ac}}{2a}$

[algebra ii exercises quadratic formula and the discriminant](#) - Sep 27 2022

web question group 2 directions and or common information find the solutions to the following equations

quadratic formula explained article khan academy - Apr 03 2023

web worked example first we need to identify the values for a b and c the coefficients first step make sure the equation is in

the format from above $ax^2 + bx + c = 0$ is what makes it a quadratic therefore x^3 or x^7

[quadratics i chapetr 1 cambridge university press assessment](#) - Oct 29 2022

web quadratics carry out the process of completing the square for a quadratic polynomial $ax^2 + bx + c$ and use a completed square form find the discriminant of a quadratic polynomial $ax^2 + bx + c$ and use the discriminant solve quadratic equations and quadratic inequalities in one unknown

[quadratic discriminant brilliant math science wiki](#) - Feb 01 2023

web finding the discriminant of a quadratic repeated roots range of solutions problem solving see also explanation from the quadratic formula the roots of the quadratic polynomial $ax^2 + bx + c$ are given by $x = \frac{-b \pm \sqrt{b^2 - 4ac}}{2a}$

[the discriminant in quadratic equation mathwarehouse com](#) - Jun 05 2023

web the discriminant for any quadratic equation of the form $y = ax^2 + bx + c$ is found by the following formula and it provides critical information regarding the nature of the roots solutions of any quadratic equation formula discriminant $b^2 - 4ac$

[using the discriminant to determine the number of roots bbc](#) - Mar 02 2023

web the discriminant is $b^2 - 4ac$ which comes from the quadratic formula and we can use this to find the nature of the roots roots can occur in a parabola in 3 different ways as shown in the

[discriminant review article khan academy](#) - Sep 08 2023

web the discriminant is the part of the quadratic formula underneath the square root symbol $b^2 - 4ac$ the discriminant tells us whether there are two solutions one solution or no solutions quick review of the quadratic formula the quadratic formula says that $x = \frac{-b \pm \sqrt{b^2 - 4ac}}{2a}$ for any quadratic equation like $ax^2 + bx + c = 0$

the quadratic formula and the discriminant algebra 2 quadratic - Dec 31 2022

web in a quadratic equation the discriminant helps tell you the number of real solutions to a quadratic equation in this tutorial see how to find the discriminant of a quadratic equation and use it to determine the number of solutions you can never get too much practice working with the quadratic formula especially when the solution

solve quadratic equations with the quadratic formula practice - May 04 2023

web learn for free about math art computer programming economics physics chemistry biology medicine finance history and more khan academy is a nonprofit with the mission of providing a free world class education for anyone anywhere

[c program to find the roots of a quadratic equation](#) - Oct 17 2021

web the standard form of a quadratic equation is $ax^2 + bx + c = 0$ where a , b and c are real numbers and $a \neq 0$ the term $b^2 - 4ac$ is known as the discriminant of a quadratic equation it tells the nature of the roots if the discriminant is greater than 0 the

roots are real and different if the discriminant is equal to 0 the roots are real and equal if the
discriminant formula rules discriminant of quadratic - Jul 26 2022

web the quadratic formula in terms of the discriminant is $x = \frac{-b \pm \sqrt{b^2 - 4ac}}{2a}$ example find the discriminant of the quadratic equation $2x^2 - 3x + 8 = 0$ comparing the equation with $ax^2 + bx + c = 0$ we get $a = 2$, $b = -3$ and $c = 8$ so the discriminant is Δ or $b^2 - 4ac = 3^2 - 4 \cdot 2 \cdot 8 = 9 - 64 = -55$ discriminant of cubic equation

understanding the discriminant date period kuta software - Jun 24 2022

web find the value of the discriminant of each quadratic equation $1. 6p^2 - 2p + 3 = 0$, $76. 2x^2 - x + 1 = 0$, $73. 4m^2 - 4m + 5 = 0$, $96. 4b^2 - b + 2 = 0$, $41. 5r^2 - 5r + 2 = 0$, $17. 6p^2 - 5p + 4 = 0$, $57.$ find the discriminant of each quadratic equation then state the number of real and imaginary solutions

the quadratic formula review explanation and examples - Nov 29 2022

web mar 1 2022 the quadratic formula $x = \frac{-b \pm \sqrt{b^2 - 4ac}}{2a}$ if the discriminant is positive this means we are taking the square root of a positive number we will have a positive and negative real solution this equation will have two real solutions or x x intercepts

[la divine comédie com la divine comédie](#) - Jul 02 2022

web may 31 2023 you have remained in right site to begin getting this info get the la divine comédie texte intégral gf belong to that we provide here and check out the link you

[la divine comédie texte intégral gf pdf uniport edu](#) - Feb 26 2022

web this online broadcast la divine comédie texte intégral gf pdf can be one of the options to accompany you later having supplementary time it will not waste your time admit me

la divine comédie texte intégral gf pdf pdf - Nov 06 2022

web la divine comédie texte intégral gf unveiling the energy of verbal artistry an mental sojourn through la divine comédie texte intégral gf in a global inundated with

la divine comédie le paradis dante free - Jul 14 2023

web 1863 pour des raisons techniques le texte entier de cet ouvrage de grand volume est présenté en quatre parties introduction l'enfer le purgatoire le paradis

[la divine comédie texte intégral gf david damrosch](#) - Nov 25 2021

web scientific research in any way in the midst of them is this la divine comédie texte intégral gf that can be your partner livres hebdo 2003 la divine comédie 1992

la divine comédie texte intégral gf copy uniport edu - Apr 30 2022

web apr 28 2023 le gigantesque entonnoir de l'enfer qui se creuse jusqu'au centre de la terre est dépeint comme le

réceptacle de tout le mal de l'univers comme une sorte de

la divine comédie by dante jacqueline risset - Jan 08 2023

web may 3 2023 la divine comédie texte intégral gf pdf is easy to get to in our digital library an online right of entry to it is set as public so you can download it instantly our

la divine comédie texte intégral gf copy - Sep 04 2022

web la divina cometa un film de mimmo paladino par marc mentré mai 23 2023 cronaca spectacles la divina cometa est le nouveau film d'un réalisateur rare mimmo

la divine comédie texte intégral gf pdf uniport edu - Mar 30 2022

web la divine comédie by dante jacqueline risset la divine comédie by dante jacqueline risset tracce db0nus869y26v

cloudfront net dante alighieri used books rare books and

lee un libro la divine comédie texte intégral gf de dante - Feb 09 2023

web 85 poche 13 offres à partir de 13 50 la divine comédie l'enfer le purgatoire le paradis illustrée par gustave dore Édition intégrale et annotée dante alighieri 15

la divine comédie texte intégral gf 2023 - Mar 10 2023

web d'artistes et de songes le paradis enfin où guidé par béatrice le poète ébloui vole de ciel en ciel avant d'accéder à la vision divine et le parcours initiatique se termine lorsque

la divine comédie traduction lamennais texte entier - Apr 11 2023

web mar 15 2020 descargar gratis la divine comédie texte intégral gf de dante pdf epub mobi gratis descarga gratuita la divine comédie texte intégral gf

la divine comédie texte intégral gf pdf uniport edu - Aug 03 2022

web la divine comédie texte intégral gf 1 9 downloaded from uniport edu ng on may 29 2023 by guest la divine comédie texte intégral gf thank you entirely much for

amazon fr la divine comédie traduction livres - Dec 07 2022

web this la divine comédie texte intégral gf as one of the most energetic sellers here will enormously be among the best options to review a glossary of literary terms abrams

la divine comédie texte intégral gf pdf Лес Лосев pdf - Dec 27 2021

web may 6 2023 conscience du sort qui les attend après la mort il décrit tour à tour le gigantesque entonnoir de l'enfer et ses damnés en proie à mille tourments la montagne

la divine comédie by dante jacqueline risset - Jan 28 2022

web savante des évangiles comme une part de la littérature juive de l'époque dite du second temple elle en brosse enfin la

reception a travers les disciplines et les ages en

la divine comedie texte integral gf pdf uniport edu - Jun 01 2022

web may 5 2023 la divine comedie texte integral gf 2 11 downloaded from uniport edu ng on may 5 2023 by guest 1915 63
was never just a singer this book suggests new

la divine comedie texte integral gf hermynia zur mühlen - Sep 23 2021

la divine comédie de dante alighieri traduite en vers gallica - Aug 15 2023

web apr 22 2021 name la divine comedie texte integral gf autor dante categoria libros literatura y ficción poesía tamaño del
archivo 12 mb tipos de archivo pdf

la divine comédie by dante jacqueline risset - Oct 25 2021

la divine comédie lamennais 1863 texte entier wikisource - May 12 2023

web la divine comédie dante alighieri 2010 la divine comédie n est pas seulement le monument majestueux d une culture
passée c est un poème vivant qui nous touche de

download la divine comedie texte integral gf de dante - Jun 13 2023

web ses yeux brillaient plus que le soleil et d un parler suave et calme avec une voix angélique elle me dit o mon âme
courtoise du mantouan dont la renommée dure

la divine comedie texte integral gf miriam hansen - Oct 05 2022

web signature formula for the myth the divine hero who slays the serpent or overcomes adversaries occurs in the same
linguistic form in a wide range of sources and over

common session music for mandolin westphalia waltz - Jul 27 2022

web gbm f c bb chords for the westphalia waltz with key bpm and easy to follow letter notes in sheet play with guitar piano
ukulele or any instrument you choose

old time music mandolin tab westphalia waltz traditional music - Apr 23 2022

web jun 6 2023 100 tempo capo transpose midi print loading the chords for westphalia waltz guitar ukulele piano mandolin
animated summary all your favorite songs in one

westphalia waltz chords chordu - Jul 07 2023

web title westphalia waltz tab author will fly created date 12 29 2009 2 41 28 pm

westphalia waltz chords chordu - Sep 28 2022

web westphalia waltz i ve always thought the most interesting thing about this piece is the chord progression and it was not

until fretted dulcimer wizard steve seifert set me

01 westphalia waltz two chord backup youtube - Mar 03 2023

web nov 1 2019 use the stringclub tools to play now scrolling tab learn how to play the notes of westphalia waltz on violin for free using our animated scrolling tablature for

westphalia waltz lyrics chords hank thompson - May 05 2023

web traditional music tunes tab collection american tunes westphalia waltz westphalia waltz i ve based this transcription on the playing of jesse mcree and

westphalia waltz traditional tune archive - Jan 01 2023

web nov 4 2020 westphalia waltz genre traditional style other key g tuning standard open g gdgbd difficulty beginner posted by maurodanielrossi updated 11 4 2020

westphalia waltz traditional american waltz colorado - Aug 28 2022

web download the music score and tabs pdf no ads or banners download tune midi backing track download mp3 of tune sheet music mandolin tabs midis and mp3 for

the westphalia waltz poss slaney and friends chords - Oct 30 2022

web g am bm c d chords for westphalia waltz with key bpm and easy to follow letter notes in sheet play with guitar piano ukulele or any instrument you choose

common session tunes scores and tabs for guitar westphalia - Sep 09 2023

web sheet music guitar tabs midis and mp3 audio for traditional session tune westphalia waltz

westphalia waltz tab details and ratings banjo hangout - Nov 30 2022

web d g d a g em f m chords for the westphalia waltz poss slaney and friends discover guides on key bpm and letter notes perfect for guitar piano ukulele

learn westphalia waltz violin stringclub - Feb 02 2023

web jan 15 2021 westphalia waltz american canadian waltz 3 4 time usa widely known in new england southern and mid west repertoire canada prince edward

westphalia waltz g sheet music for violin string - Aug 08 2023

web g d c em a chords for westphalia waltz discover guides on key bpm and letter notes perfect for guitar piano ukulele more westphalia waltz chords chordify - Mar 23 2022

web tune tune chords a d e g a chords for westphalia waltz on mountain dulcimer with key bpm and easy to follow letter notes in sheet play with guitar piano ukulele or

westphalia waltz tab mjra net - Jun 06 2023

web am d7 he said with a slow texas drawl am d7 and she smiled as she softly surrendered g to the strains of the westphalia waltz he stood as the sun in the mornin am d7 rose

common session tunes sheet music tabs traditional music - May 25 2022

web old time music mandolin tab westphalia waltz old songs fiddle banjo music old country music bluegrass and traditional dance music with downloadable sheet music

westphalia waltz supplemental resources - Jan 21 2022

web chords am d g em chords for westphalia waltz chordify is your 1 platform for chords includes midi and pdf downloads

westphalia waltz - Apr 04 2023

web jan 24 2017 01 westpahlia waltz two chord backup accompaniment to westphalia waltz from simple to complex in a series of six video clips this clips presents to most basic idea

westphalia waltz chords chordify - Dec 20 2021

web want to make westphalia waltz melody sound awesome on your harmonica master tight single notes rock solid bending and more with easy video lessons click here

westphalia waltz showman - Oct 10 2023

web westphalia waltz key g 52 westphalia waltz polish waltz adapted by texas fiddler cotton collins basic version arr pete showman 3 g 3 13 d7 g 3 29 d 33 d g 33

westphalia waltz on mountain dulcimer chords chordu - Feb 19 2022

web this supplement for westphalia waltz includes a hi res mp3 accompaniment track a description of the song how to play with the accompaniment and tablature midi sound file for a harmony part this is supplemental to the tab in joe collins book waltzes for mountain dulcimer digital download available immediately after purchase

the westphalia waltz chords chordu - Jun 25 2022

web westphalia waltz traditionalmusic co uk 4 3 gbm embm g e am d 4 3 024 5 0 2 0 5 5 0 24 5 0 2 3 0 02 0 5 am d 1 d7 g 2 g 4 0 3 3 2 23 2 0 5 45 0 5 432 23 2 024 5 4 0

westphalia waltz melody harptabs com - Nov 18 2021

When somebody should go to the ebook stores, search instigation by shop, shelf by shelf, it is essentially problematic. This is why we provide the book compilations in this website. It will enormously ease you to look guide **Engine Diagram Vw R32** as you such as.

By searching the title, publisher, or authors of guide you truly want, you can discover them rapidly. In the house, workplace, or perhaps in your method can be all best area within net connections. If you ambition to download and install the Engine Diagram Vw R32, it is completely easy then, since currently we extend the join to purchase and create bargains to download and install Engine Diagram Vw R32 consequently simple!

https://offsite.creighton.edu/files/virtual-library/Documents/how_many_books_maya_angelou_has_written.pdf

https://offsite.creighton.edu/files/virtual-library/Documents/how_old_was_anne_boleyn_when_she_met_henry.pdf

https://offsite.creighton.edu/files/virtual-library/Documents/how_do_you_write_a_phone_call_in_a_screenplay.pdf

Table of Contents Engine Diagram Vw R32

1. Understanding the eBook Engine Diagram Vw R32
 - The Rise of Digital Reading Engine Diagram Vw R32
 - Advantages of eBooks Over Traditional Books
2. Identifying Engine Diagram Vw R32
 - Exploring Different Genres
 - Considering Fiction vs. Non-Fiction
 - Determining Your Reading Goals
3. Choosing the Right eBook Platform
 - Popular eBook Platforms

- Features to Look for in an Engine Diagram Vw R32
- User-Friendly Interface
- 4. Exploring eBook Recommendations from Engine Diagram Vw R32
 - Personalized Recommendations
 - Engine Diagram Vw R32 User Reviews and Ratings
 - Engine Diagram Vw R32 and Bestseller Lists
- 5. Accessing Engine Diagram Vw R32 Free and Paid eBooks
 - Engine Diagram Vw R32 Public Domain eBooks
 - Engine Diagram Vw R32 eBook Subscription Services
 - Engine Diagram Vw R32 Budget-Friendly Options
- 6. Navigating Engine Diagram Vw R32 eBook Formats
 - ePub, PDF, MOBI, and More
 - Engine Diagram Vw R32 Compatibility with Devices
 - Engine Diagram Vw R32 Enhanced eBook Features
- 7. Enhancing Your Reading Experience
 - Adjustable Fonts and Text Sizes of Engine Diagram Vw R32
 - Highlighting and Note-Taking Engine Diagram Vw R32
 - Interactive Elements Engine Diagram Vw R32
- 8. Staying Engaged with Engine Diagram Vw R32
 - Joining Online Reading Communities
 - Participating in Virtual Book Clubs
 - Following Authors and Publishers Engine Diagram Vw R32
- 9. Balancing eBooks and Physical Books Engine Diagram Vw R32
 - Benefits of a Digital Library
 - Creating a Diverse Reading Collection Engine Diagram Vw R32
- 10. Overcoming Reading Challenges
 - Dealing with Digital Eye Strain
 - Minimizing Distractions
 - Managing Screen Time
- 11. Cultivating a Reading Routine Engine Diagram Vw R32

- Setting Reading Goals Engine Diagram Vw R32
- Carving Out Dedicated Reading Time
- 12. Sourcing Reliable Information of Engine Diagram Vw R32
 - Fact-Checking eBook Content of Engine Diagram Vw R32
 - Distinguishing Credible Sources
- 13. Promoting Lifelong Learning
 - Utilizing eBooks for Skill Development
 - Exploring Educational eBooks
- 14. Embracing eBook Trends
 - Integration of Multimedia Elements
 - Interactive and Gamified eBooks

Engine Diagram Vw R32 Introduction

In the digital age, access to information has become easier than ever before. The ability to download Engine Diagram Vw R32 has revolutionized the way we consume written content. Whether you are a student looking for course material, an avid reader searching for your next favorite book, or a professional seeking research papers, the option to download Engine Diagram Vw R32 has opened up a world of possibilities. Downloading Engine Diagram Vw R32 provides numerous advantages over physical copies of books and documents. Firstly, it is incredibly convenient. Gone are the days of carrying around heavy textbooks or bulky folders filled with papers. With the click of a button, you can gain immediate access to valuable resources on any device. This convenience allows for efficient studying, researching, and reading on the go. Moreover, the cost-effective nature of downloading Engine Diagram Vw R32 has democratized knowledge. Traditional books and academic journals can be expensive, making it difficult for individuals with limited financial resources to access information. By offering free PDF downloads, publishers and authors are enabling a wider audience to benefit from their work. This inclusivity promotes equal opportunities for learning and personal growth. There are numerous websites and platforms where individuals can download Engine Diagram Vw R32. These websites range from academic databases offering research papers and journals to online libraries with an expansive collection of books from various genres. Many authors and publishers also upload their work to specific websites, granting readers access to their content without any charge. These platforms not only provide access to existing literature but also serve as an excellent platform for undiscovered authors to share their work with the world. However, it is essential to be cautious while downloading Engine Diagram Vw R32. Some websites may offer pirated or illegally obtained copies of copyrighted material. Engaging in such activities not only violates

copyright laws but also undermines the efforts of authors, publishers, and researchers. To ensure ethical downloading, it is advisable to utilize reputable websites that prioritize the legal distribution of content. When downloading Engine Diagram Vw R32, users should also consider the potential security risks associated with online platforms. Malicious actors may exploit vulnerabilities in unprotected websites to distribute malware or steal personal information. To protect themselves, individuals should ensure their devices have reliable antivirus software installed and validate the legitimacy of the websites they are downloading from. In conclusion, the ability to download Engine Diagram Vw R32 has transformed the way we access information. With the convenience, cost-effectiveness, and accessibility it offers, free PDF downloads have become a popular choice for students, researchers, and book lovers worldwide. However, it is crucial to engage in ethical downloading practices and prioritize personal security when utilizing online platforms. By doing so, individuals can make the most of the vast array of free PDF resources available and embark on a journey of continuous learning and intellectual growth.

FAQs About Engine Diagram Vw R32 Books

What is a Engine Diagram Vw R32 PDF? A PDF (Portable Document Format) is a file format developed by Adobe that preserves the layout and formatting of a document, regardless of the software, hardware, or operating system used to view or print it. **How do I create a Engine Diagram Vw R32 PDF?** There are several ways to create a PDF: Use software like Adobe Acrobat, Microsoft Word, or Google Docs, which often have built-in PDF creation tools. Print to PDF: Many applications and operating systems have a "Print to PDF" option that allows you to save a document as a PDF file instead of printing it on paper. Online converters: There are various online tools that can convert different file types to PDF. **How do I edit a Engine Diagram Vw R32 PDF?** Editing a PDF can be done with software like Adobe Acrobat, which allows direct editing of text, images, and other elements within the PDF. Some free tools, like PDFescape or Smallpdf, also offer basic editing capabilities. **How do I convert a Engine Diagram Vw R32 PDF to another file format?** There are multiple ways to convert a PDF to another format: Use online converters like Smallpdf, Zamzar, or Adobe Acrobats export feature to convert PDFs to formats like Word, Excel, JPEG, etc. Software like Adobe Acrobat, Microsoft Word, or other PDF editors may have options to export or save PDFs in different formats. **How do I password-protect a Engine Diagram Vw R32 PDF?** Most PDF editing software allows you to add password protection. In Adobe Acrobat, for instance, you can go to "File" -> "Properties" -> "Security" to set a password to restrict access or editing capabilities. Are there any free alternatives to Adobe Acrobat for working with PDFs? Yes, there are many free alternatives for working with PDFs, such as: LibreOffice: Offers PDF editing features. PDFsam: Allows splitting, merging, and editing PDFs. Foxit Reader: Provides basic PDF viewing and editing capabilities. How do I compress a PDF file? You can use online tools like Smallpdf, ILovePDF, or desktop software like

Adobe Acrobat to compress PDF files without significant quality loss. Compression reduces the file size, making it easier to share and download. Can I fill out forms in a PDF file? Yes, most PDF viewers/editors like Adobe Acrobat, Preview (on Mac), or various online tools allow you to fill out forms in PDF files by selecting text fields and entering information. Are there any restrictions when working with PDFs? Some PDFs might have restrictions set by their creator, such as password protection, editing restrictions, or print restrictions. Breaking these restrictions might require specific software or tools, which may or may not be legal depending on the circumstances and local laws.

Find Engine Diagram Vw R32 :

how many books maya angelou has written

how old was anne boley when she met henry

how do you write a phone call in a screenplay

how old is lyra

how much does webassign cost

how did italian humanists view the education of women

how did kepler contribute to the scientific revolution

how did feudalism begin and end in western europe

how to build a sail boat

how many percy jackson books are there in total

how has malala changed the world

how are scientists like crime solvers

how to calculate reconstitution of medication

~~how did belly ruin susannah's funeral~~

how long was donnie brasco undercover

Engine Diagram Vw R32 :