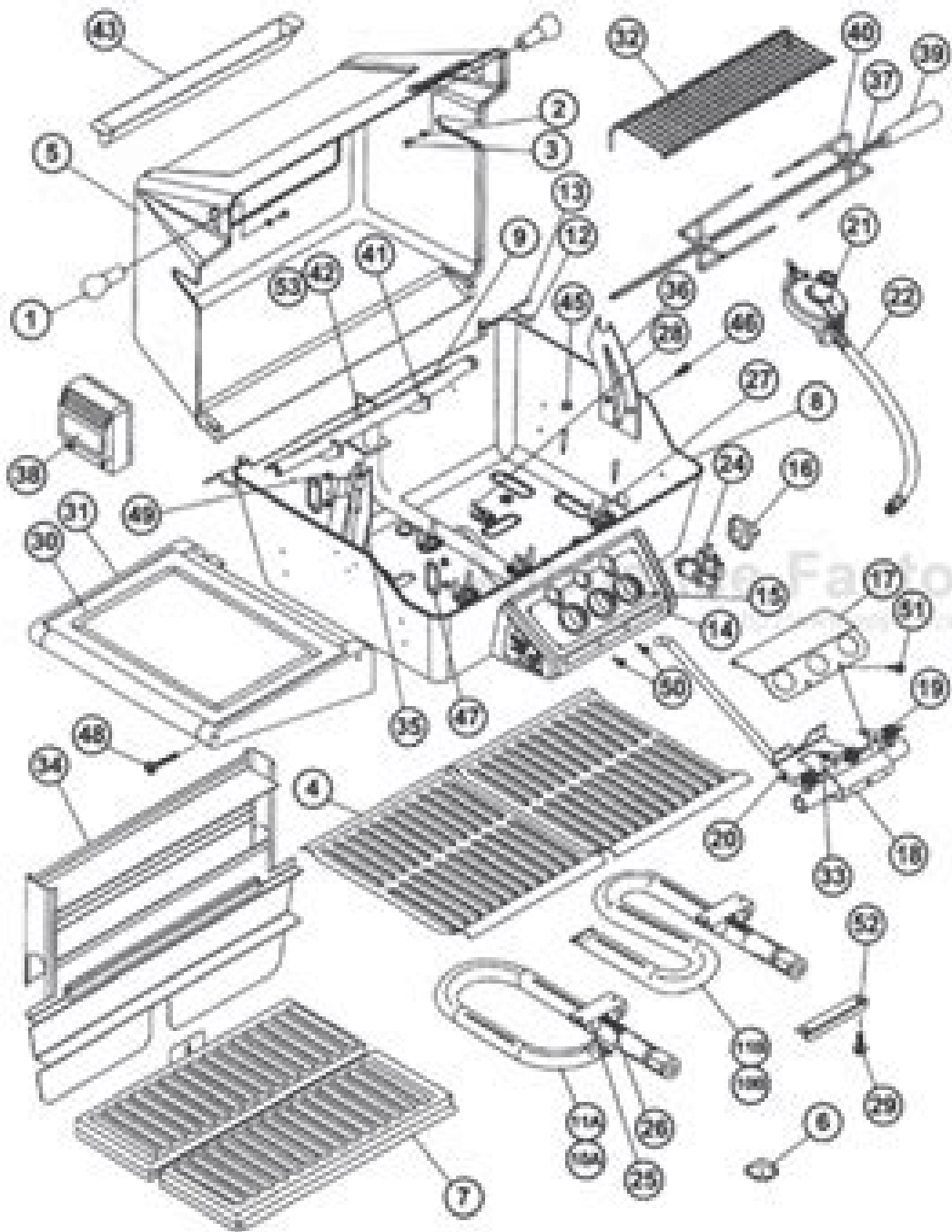
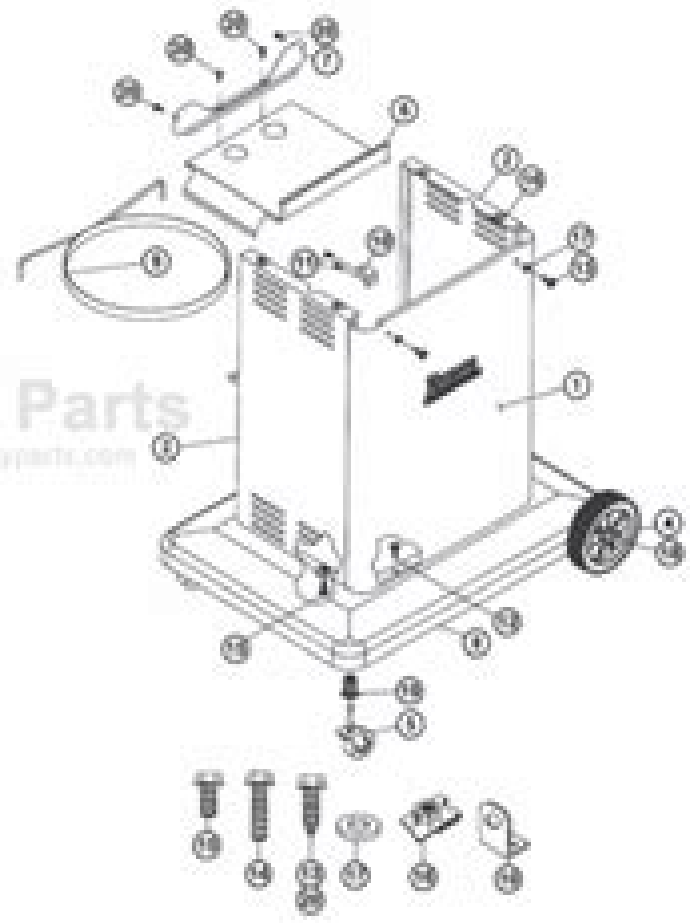


GRILL HEAD EXPANDED VIEW




Kit Numbers B75, B76 & B77
Portable Console Cart Base Kit (Domestic LP)



Factory Parts
www.factoryparts.com

Ducane 5004 Manual

**Bennett Simpson, Museum of
Contemporary Art (Los Angeles, Calif.)**



Ducane 5004 Manual

A History of the Warfare of Science with Theology in Christendom Andrew Dickson White,1898 **Abstracts of Lectures, Symposia, and Free Communications** ,1986 **The Warfare of Science** Andrew Dickson White,1876
Chemicals Identified in Human Biological Media ,1985 **New Chapters in the Warfare of Science** Andrew Dickson White,1887 **Theft Is Property!** Robert Nichols,2019-12-20 Drawing on Indigenous peoples struggles against settler colonialism Theft Is Property reconstructs the concept of dispossession as a means of explaining how shifting configurations of law property race and rights have functioned as modes of governance both historically and in the present Through close analysis of arguments by Indigenous scholars and activists from the nineteenth century to the present Robert Nichols argues that dispossession has come to name a unique recursive process whereby systematic theft is the mechanism by which property relations are generated In so doing Nichols also brings long standing debates in anarchist Black radical feminist Marxist and postcolonial thought into direct conversation with the frequently overlooked intellectual contributions of Indigenous peoples **Library of Natural History** Richard Lydekker,1910 Corpus of Maya Hieroglyphic Inscriptions Ian Graham,Peter Mathews,Eric Von Euw,Peabody Museum of Archaeology and Ethnology,David Stuart,Oswaldo Fernando Chinchilla Mazariegos,Barbara W. Fash,Jay I. Kislak Reference Collection (Library of Congress),1975 The goal of the Corpus of Maya Hieroglyphic Inscriptions is to document in photographs and detailed line drawings all known Maya inscriptions and their associated figurative art When complete the Corpus will have published the inscriptions from over 200 sites and 2 000 monuments The series has been instrumental in the remarkable success of the ongoing process of deciphering Maya writing making available hundreds of texts to epigraphers working around the world Volume 1 includes a Spanish translation of the Introduction text and six appendices sources of sculpture and their codes list of abbreviations and symbols used in the Corpus series table of tun endings between 8 1 15 0 0 and 10 9 3 0 0 a complete Calendar Round in tabular form giving the position of tun endings between 8 1 15 0 0 and 10 9 3 0 0 a method for the quick computation of Calendar Round position by John S Justeson and Moon Age tables by Lawrence Roys The Dawn of Civilization: Egypt and Chaldaea Gaston C. Maspero,2018-03 This work has been selected by scholars as being culturally important and is part of the knowledge base of civilization as we know it This work was reproduced from the original artifact and remains as true to the original work as possible Therefore you will see the original copyright references library stamps as most of these works have been housed in our most important libraries around the world and other notations in the work This work is in the public domain in the United States of America and possibly other nations Within the United States you may freely copy and distribute this work as no entity individual or corporate has a copyright on the body of the work As a reproduction of a historical artifact this work may contain missing or blurred pages poor pictures errant marks etc Scholars believe and we concur that this work is important

enough to be preserved reproduced and made generally available to the public We appreciate your support of the preservation process and thank you for being an important part of keeping this knowledge alive and relevant

Alphabet Alliteration Richard Aschenbrand,2013-01-01 *The Poly-Olbion* Michael Drayton,1889 **Equal Access for Students with Disabilities** Lisa M. Meeks, PhD,Neera R. Jain, MS, CRC,Elisa Laird, JD,2020-11-28 Note to Readers Publisher does not guarantee quality or access to any included digital components if book is purchased through a third party seller A vital resource for ensuring students with disabilities have access to appropriate legal and necessary accommodations Now in its second edition this book on disability inclusion in the health sciences remains the most comprehensive critically and legally informed guidance available to health science programs Grounded in the ADA case law and OCR determinations this seminal text delivers information that is translatable to daily practice The second edition focuses on disability as a welcome form of diversity with concomitant changes to language and approach that promote disability inclusion New chapters and updates on topics including technical standards a new appendix to guide faculty communication and revised advice throughout provide faculty student affairs and disability professionals with the most up to date practices The text delivers updated legal guidance and case references assistance in benchmarking office policies and practices new case studies and a review chapter for teaching and assessing learning New examples impart the best decision making practices describe what to do when things go awry and discuss how to avoid problems by implementing strong accessibility focused policies Written by noted educators and practitioners at prestigious health science schools this text is backed by years of practice and expertise It is written in an easy to read engaging manner that makes disability inclusion and disability law accessible to all New to the Second Edition Focus on the importance of fully inclusive education for health care practitioners Real world informed case studies that demonstrate best practices New and updated advice highlighting recent legal decisions New chapter on technical standards Updated guidance to inform office policies and practices Chapter specific review questions for teaching and self assessment Expanded discussion of clinical accommodations Updated guides for high stakes exams including new personal statement prompts Communication guide for faculty Key Features Addresses all aspects of disability including disability law for students in health science settings Delivers information directly applicable to practice Accessibly written by esteemed and experienced practitioners and educators Includes easy to follow flowcharts Supports professional development in an affordable format

Cronica Walliae Humphrey Llwyd,2016 Cronica Walliae is the earliest and largest extant work of antiquary and map maker Humphrey Llwyd Completed in 1559 it is a translation into English of an account of the lives and acts of the kings and princes of Wales from Cadwaladr to Llywelyn ap Gruffudd the last native Welsh prince

Refrigerating Plants United States. Navy Dept. Bureau of Ships,1947 [Personal Recollections of the T'ai-p'ing Rebellion, 1861-63](#) Arthur Evans Moule,1898 *Rambles in the Rocky Mountains* Maurice O'Connor Morris,1864 **Steam and Hot Water Heating** H C Lincoln,2022-10-27 This work has been selected by scholars as being culturally important and

is part of the knowledge base of civilization as we know it This work is in the public domain in the United States of America and possibly other nations Within the United States you may freely copy and distribute this work as no entity individual or corporate has a copyright on the body of the work Scholars believe and we concur that this work is important enough to be preserved reproduced and made generally available to the public We appreciate your support of the preservation process and thank you for being an important part of keeping this knowledge alive and relevant Blues for Smoke Bennett Simpson, Museum of Contemporary Art (Los Angeles, Calif.), 2012 This book which accompanies a large scale thematic exhibition considers the experimental impulse in ideas and forms of the blues and how it is manifested in a variety of works by contemporary visual artists Covering nearly half a century and including the works of some 50 artists in a wide variety of media this book looks beyond ideas of musical category to identify the blues as a visual and cultural idiom that has informed multiple generations of artists from Romare Bearden and William Eggleston to David Hammons and David Simon creator of the television series The Wire Generously illustrated with paintings drawings photographs sculpture installation and video stills and containing a wide range of critical writing poetry and fiction the catalog explores topics central to the blues from articulations of daily life modes of abstraction and repetition and self performance to ecstatic and cathartic expression and metaphors of memory and the archive Both scholarly and unique this reimagining of all things Blues will draw audiences from across cultural and racial boundaries as it celebrates a uniquely American idiom that has made its mark on nearly every contemporary artistic medium ILLUSTRATIONS 120 colour illustrations

the sapphire rose the elenium trilogy book 3 - Jan 09 2023

web bir david eddings eseri olan the sapphire rose the elenium trilogy book 3 e kitap olarak en cazip fiyat ile d r de keşfetmek için hemen tıklayınız

the elenium trilogy 3 book series kindle edition amazon com - Sep 05 2022

web book one of the classic elenium series after a long exile pandion knight sparrowhawk returns to his native land to find his young queen grievously ill ehlana has been poisoned and will die unless a cure can be found within a year

the elenium trilogy e kitap arama sonuçları rakuten kobo - Mar 11 2023

web the elenium trilogy için arama sonuçları booklovers ücretsiz önizleme ve yorumları okuyun kobo de ebooks alışveriş

the elenium wikipedia - Aug 16 2023

web the elenium is a series of fantasy novels by american writer david eddings the series consists of three volumes the diamond throne the ruby knight and the sapphire rose the series is followed by the tamuli the elenium is eddings third fantasy series

the elenium google books - Aug 04 2022

web sep 25 2007 now for the first time in one thrilling volume the three magical novels that make up david eddings s epic fantasy the elenium in an ancient kingdom the legacy of one royal family hangs in the balance and the fate of a queen and her empire lies on the shoulders of one knight sparrowhawk knight and queen s champion has returned to

the elenium trilogy series ebooks com - Jan 29 2022

web browse ebooks from the the elenium trilogy series to read online or download in epub or pdf format

the diamond throne the elenium trilogy book 1 - Jun 14 2023

web the diamond throne the elenium trilogy book 1 eddings david amazon com tr kitap

the ruby knight the elenium trilogy book 2 kağıt kapak - Dec 08 2022

web book two of the classic elenium trilogy the quest for the jewel of life continues time is running out for the poisoned queen ehlana if she is to be saved sparrowhawk must find the only cure a powerful artefact called the bhelliom before it s too late but finding the rose shaped sapphire is no simple task

the diamond throne the elenium trilogy book 1 kindle edition - Jun 02 2022

web mar 25 2010 the diamond throne the elenium trilogy book 1 kindle edition book one of the classic elenium series after a long exile pandion knight sparrowhawk returns to his native land to find his young queen grievously ill ehlana has been poisoned and will die unless a cure can be found within a year

sparrowhawk universe series by david eddings goodreads - May 13 2023

web the greater sparrowhawk universe consists of six books the original elenium trilogy followed by the tamuli sequel trilogy book 1 the diamond throne by david eddings 3 97 34 608 ratings 651 reviews published 1989 5 editions after a long spell of exile sparrowhawk pandion kni want to read rate it book 2 the ruby knight by david eddings

the elenium trilogy 3 books collection set by david eddings - Oct 06 2022

web jan 1 2019 the elenium trilogy 3 books collection set by david eddings the diamond throne the ruby knight the sapphire rose paperback 1 jan 2019

the ruby knight the elenium trilogy book 2 harpercollins - Jul 03 2022

web book two of the classic elenium trilogy the quest for the jewel of life continues time is running out for the poisoned queen ehlana if she is to be saved sparrowhawk must find the only cure a powerful artefact called the bhelliom before it s too late but finding the rose shaped sapphire is no

the elenium trilogy 3 book series kindle edition amazon co uk - May 01 2022

web hardcover paperback book one of the classic elenium series after a long exile pandion knight sparrowhawk returns to his native land to find his young queen grievously ill ehlana has been poisoned and will die unless a cure can be found within a year

the elenium penguin random house - Nov 07 2022

web the elenium series which began in diamond throne continues against a background of magic and adventure ehlana queen of elenia had been poisoned a deep enchantment sustained her life but only while the knights aiding it still lived and already they were dying one each month

the elenium the diamond throne the ruby knight the - Feb 10 2023

web the elenium the diamond throne the ruby knight the sapphire rose david eddings 4 23 5 944 ratings 128 reviews now for the first time in one thrilling volume the three magical novels that make up david eddings s epic fantasy the elenium

the elenium trilogy the diamond throne the ruby knight - Apr 12 2023

web the elenium trilogy the diamond throne the ruby knight the sapphire rose paperback by david eddings author 4 7 4 7 out of 5 stars 1 570 ratings

the elenium series by david eddings goodreads - Jul 15 2023

web the elenium series by david eddings the elenium series 3 primary works 4 total works original sparhawk series the elenium was followed by the tamuli trilogy series also known as epopea degli elene la trilogie des joyaux book 1 the diamond throne by david eddings 3 97 34 606 ratings 651 reviews published 1989 5 editions

the elenium the diamond throne the ruby knight the - Feb 27 2022

web sep 25 2007 now for the first time in one thrilling volume the three magical novels that make up david eddings s epic fantasy the elenium in an ancient kingdom the legacy of one royal family hangs in the balance and the fate of a queen and her empire lies on the shoulders of one knight

the diamond throne the elenium trilogy book 1 amazon co uk - Dec 28 2021

web the first of the elenium trilogy this is a tale of spells magic power love and heroism it is a magical allegory of the unending struggle between good and evil david eddings also wrote the belgariad and the malloreon saga

the diamond throne the elenium trilogy book 1 google books - Mar 31 2022

web mar 25 2010 book one of the classic elenium series after a long exile pandion knight sparhawk returns to his native land to find his young queen grievously ill ehlana has been poisoned and will die unless a cure can be found within a year

diary ng panget book 1 completed wattpad - Feb 12 2022

web sabay inirapan ako i expected this ini expect ko na na ganto ang mga estudyante dito mga mapangmata at mapagmataas afterall they are spoiled rich brats read season 1 all completed from the story diary ng panget book 1 completed by hallowbae 22 shane wolf with 29 0

diary ng panget the movie part 1 youtube - Oct 23 2022

web 176k views 8 years ago the diary ng panget tetralogy diary of an ugly is a series of romantic comedy novels by a wattpad

author under the name of haveyouseenthisgirl the original unedited

[diary ng panget film wikipedia](#) - Oct 03 2023

web diary ng panget lit diary of an ugly person also known as diary ng panget the movie is a 2014 filipino romantic comedy film based on the best selling novel of the same name written and published on wattpad by denny r the film was directed by andoy ranay and stars nadine lustre james reid yassi pressman and andre paras

diary ng panget apple tv ca - Nov 23 2022

web it helps that panget is written in diary form so it makes you feel as if you re eavesdropping on the stirrings of a girl s heart and witnessing first

[*diary ng panget series by haveyouseenthisgirl goodreads*](#) - May 30 2023

web book 1 diary ng panget by haveyouseenthisgirl 4 39 7 493 ratings 403 reviews published 2013 2 editions mahirap at panget si girl tapos magnet siya ng mga want to read rate it book 2 diary ng panget 2 by haveyouseenthisgirl 4 51 5 664 ratings 185 reviews published 2013 2 editions mahirap at panget si girl tapos magnet siya

[*diary ng panget stream and watch online moviefone*](#) - Apr 28 2023

web we ve listed a number of streaming and cable services including rental purchase and subscription options along with the availability of diary ng panget on each platform when they are

[*diary ng pangit complete version google books*](#) - Sep 21 2022

web title diary ng panget complete edition author haveyouseenthisgirl from wattpad other works she died manga 1 3 she died novel voiceless 1 2 published by psicom publishing inc

diary ng panget 1 video dailymotion - Jun 18 2022

web may 16 2014 laman ng diary ng isang babae siya palang magiging forever niya dapat alam mo

[diary ng panget nat l bookstore no 1 best seller now with](#) - May 18 2022

web jul 4 2013 the story of eya s life is now a published book diary ng panget is now available in different bookstores nationwide as of july 2013 two books are already available and both are priced at 150 00 only diary ng panget is the wattpad story that started the ebook craze for pinay girls

watch diary ng panget online 2014 movie yidio - Feb 24 2023

web diary ng panget is a 2014 comedy with a runtime of 1 hour and 54 minutes it has received moderate reviews from critics and viewers who have given it an imdb score of 6 0 where to watch details add to watchlist mark as watched prime subscribers with pinoy box office rent from 3 99 own from 12 99

[*diary ng panget by haveyouseenthisgirl goodreads*](#) - Jul 20 2022

web samahan natin si eya sa nakakaloka niyang adventure sa willford academy a cinderella story with a twist katatawanan a

story na pwedeng pwede sa mga kabataan at pati na rin sa lagpas kabataan para sa kababaihan kalalakihan binabae o pusong lalaki a very funny and kakilig story show more

diary ng panget wiki fandom - Dec 25 2022

web diary ng panget wiki is an encyclopedia dedicated to the novel diary ng panget by haveyouseenthisgirl this includes characters books movie and more the wiki format allows anyone to create or edit articles so we can all work to make a *diary ng panget apple tv ph* - Jan 26 2023

web diary ng panget romance a poor young woman becomes a personal maid for a rich and handsome young man the two do not get along at first but as their lives become entangled their relationship becomes more complicated information studio viva communications inc genre romance released 2014 run time 1 hr 54 min rated

diary ng panget complete pdf pdf scribd - Jun 30 2023

web 2a ira maging mayaman 0a at nakadikit sayo 0a at nakaasa sayo 0a at m ngot sayo 0a at g sto mag a ibre hangga t may singkong d ing ka a sa b sa indi ka ni a tatantanan f dear diary oday nada a ako sa may a ay wa ang naka ansin b ti na ang panget ako eya

diary ng panget film wikiwand - Mar 28 2023

web diary ng panget is a 2014 filipino romantic comedy film based on the best selling novel of the same name written and published on wattpad by denny r the film was directed by andoy ranay and stars nadine lustre james reid yassi pressman and andre paras

[diary ng panget wikipedia](#) - Aug 01 2023

web the diary ng panget diary of an ugly is a tetralogy series of romantic comedy novels by a wattpad author under the name of haveyouseenthisgirl the original unedited story was first posted on the online literary site wattpad

5 life lessons we diary ng panget by haveyouseenthisgirl - Mar 16 2022

web apr 2 2022 5 life lessons we could all learn from diary ng panget the movie 1 dnp reminds us that if someone has a problem help him or her in any way you can

diary ng panget 1 by haveyouseenthisgirl wattpad - Aug 21 2022

web oct 2 2013 diary ng panget psicom publishing inc quezon city philippines strengths eya typical na outcast pero lapitin ng boys the difference is she is not the cliché damsel in distress heroine also her attitude reflects the common thoughts of filipina teen agers physical look

diary ng panget rotten tomatoes - Apr 16 2022

web asian american pacific islander heritage a poor young woman becomes a personal maid for a rich and handsome young man the two do not get along at first but as their lives become entangled

diary ng panget the movie official full trailer youtube - Sep 02 2023

web mar 20 2014 ang number 1 best selling book ng 2013 soon to be blockbuster movie ngayong april 2 2014 this is the official full trailer of diary ng panget the movie

chemoinformatics basic concepts and methods amazon com - Aug 07 2023

web dec 10 2018 this essential guide to the knowledge and tools in the field includes everything from the basic concepts to modern methods while also forming a bridge to bioinformatics

chemoinformatics concepts methods and tools for drug - Nov 29 2022

web a widely recognized definition of this discipline is the one by frank brown from 1998 who defined chemoinformatics as the combination of all the information resources that a scientist needs to optimize the properties of a ligand to become a drug
chemoinformatics wiley online books - Jul 06 2023

web sep 25 2003 edited by johann gasteiger and thomas engel the book provides an introduction to the representation of molecular structures and reactions data types and databases data sources search methods methods for data analysis as well as such applications as structure elucidation reaction simulation synthesis planning and drug

chemoinformatics basic concepts and methods ebook amazon in - May 24 2022

web this essential guide to the knowledge and tools in the field includes everything from the basic concepts to modern methods while also forming a bridge to bioinformatics the textbook offers a very clear and didactical structure starting from the basics and the theory before going on to provide an overview of the methods

chemoinformatics basic concepts and methods gbv - Apr 03 2023

web contents xi 5 3 1 1 typesofdata onproperties 170 5 3 1 2 accuracyofthedata 170 5 3 2 datastorageandexchange 171 5 3 2 1 datfile 171 5 3 2 2 jcamp dx 171 5 3 2 3 predictive modelmarkuplanguage pmml 172 5 3 3 real worlddata 173 5 3 3 1 datacomplexity 173 5 3 3 2 outliersandredundantobjects 174 5 3 4 datatransformation

an introduction to chemoinformatics springerlink - Sep 27 2022

web chemoinformatics draws upon techniques from many disciplines including computer science mathematics computational chemistry and data visualisation to tackle these problems the analysis of large data sets virtual screening and library design simple illustrative examples are used throughout to illustrate key concepts supplemented with

read and win chemoinformatics applied chemoinformatics - Aug 27 2022

web oct 24 2018 chemoinformatics basic concepts and methods the two books offer two different views of the field of chemoinformatics the volume basic concepts and methods is a textbook designed to give readers the background to understand how the presented concepts can be put to action in the different software packages mentioned

pdf chemoinformatics by thomas engel ebook perlego - Feb 18 2022

web in this first volume basic concept and methods the essential foundations and methods that comprise the technology of chemoinformatics are presented the second volume from methods to applications shows how this technology has been applied to a variety of fields such as chemistry drug discovery pharmacology toxicology

chemoinformatics basic concepts and methods 1 engel - Jun 24 2022

web may 18 2018 chemoinformatics basic concepts and methods kindle edition by engel thomas gasteiger johann download it once and read it on your kindle device pc phones or tablets use features like bookmarks note taking and highlighting while reading chemoinformatics basic concepts and methods

chemoinformatics basic concepts and methods google books - Sep 08 2023

web dec 10 2018 thomas engel johann gasteiger john wiley sons dec 10 2018 science 608 pages this essential guide to the knowledge and tools in the field includes everything from the basic concepts

chemoinformatics basic concepts and methods goodreads - Dec 31 2022

web may 18 2018 chemoinformatics basic concepts and methods thomas engel editor johann gasteiger editor 5 00 1 rating0 reviews this essential guide to the knowledge and tools in the field includes everything from the basic concepts to modern methods while also forming a bridge to bioinformatics

chemoinformatics basic concepts and methods lmu - May 04 2023

web chemoinformatics basic concepts and methods contents foreword list of contributors 1 introduction 2 principles of molecular representations 3 computer processing of chemical structure information 4 representation of chemical reactions 5 the data 6 databases and data sources in chemistry 7 searching chemical structures 8

applied chemoinformatics wiley online books - Mar 22 2022

web apr 20 2018 edited by world famous pioneers in chemoinformatics this is a clearly structured and applications oriented approach to the topic providing up to date and focused information on the wide range of applications in this exciting field

wiley vch chemoinformatics basic concepts and methods - Jun 05 2023

web this essential guide to the knowledge and tools in the field includes everything from the basic concepts to modern methods while also forming a bridge to bioinformatics the textbook offers a very clear and didactical structure starting from the basics and the theory before going on to provide an overview of the methods

tutorials in chemoinformatics wiley online books - Jul 26 2022

web jun 23 2017 about this book 30 tutorials and more than 100 exercises in chemoinformatics supported by online software and data sets chemoinformatics is widely used in both academic and industrial chemical and biochemical research worldwide yet until this unique guide there were no books offering practical exercises in

chemoinformatics basic concepts and methods wiley - Oct 09 2023

web this essential guide to the knowledge and tools in the field includes everything from the basic concepts to modern methods while also forming a bridge to bioinformatics the textbook offers a very clear and didactical structure starting from the basics and the theory before going on to provide an overview of the methods

chemoinformatics basic concepts and methods google books - Mar 02 2023

web this essential guide to the knowledge and tools in the field includes everything from the basic concepts to modern methods while also forming a bridge to bioinformatics it offers a very clear and didactical structure starting from the basics and the theory before going on to provide an overview of the methods

chemoinformatics basic concepts and methods wiley - Feb 01 2023

web this essential guide to the knowledge and tools in the field includes everything from the basic concepts to modern methods while also forming a bridge to bioinformatics the textbook offers a very clear and didactical structure starting from the basics and the theory before going on to provide an

chemoinformatics basic concepts and methods searchworks - Oct 29 2022

web data types data acquisition processing of data preparation of datasets for validation of the model quality methods for data analysis exercises computational chemistry molecular mechanics molecular dynamics quantum mechanics energy minimization methods exercises applications processing constitutional information prediction of

chemoinformatics an overview sciencedirect topics - Apr 22 2022

web abstract chemoinformatics adopts an integrated approach to study and understand the function of chemical systems using available ligand resources such as pharmacophore modeling quantitative structure activity relationship qsar docking and molecular dynamics md simulations

Ducane 5004 Manual: Bestsellers in 2023 The year 2023 has witnessed a remarkable surge in literary brilliance, with numerous captivating novels enthralling the hearts of readers worldwide. Lets delve into the realm of top-selling books, exploring the fascinating narratives that have charmed audiences this year. The Must-Read : Colleen Hoover's "It Ends with Us" This poignant tale of love, loss, and resilience has captivated readers with its raw and emotional exploration of domestic abuse. Hoover masterfully weaves a story of hope and healing, reminding us that even in the darkest of times, the human spirit can prevail. Uncover the Best : Taylor Jenkins Reids "The Seven Husbands of Evelyn Hugo" This captivating historical fiction novel unravels the life of Evelyn Hugo, a Hollywood icon who defies expectations and societal norms to pursue her dreams. Reids compelling storytelling and compelling characters transport readers to a bygone era, immersing them in a world of glamour, ambition, and self-discovery. Ducane 5004 Manual : Delia Owens "Where the Crawdads Sing" This captivating coming-of-age story follows Kya Clark, a young woman who grows up alone in the marshes of North Carolina. Owens spins a tale of resilience, survival, and the transformative power of nature, captivating readers with its evocative prose and mesmerizing setting. These top-selling novels represent just a fraction of the literary treasures that have emerged in 2023. Whether you seek tales of romance, adventure, or personal growth, the world of literature offers an abundance of engaging stories waiting to be discovered. The novel begins with Richard Papen, a bright but troubled young man, arriving at Hampden College. Richard is immediately drawn to the group of students who call themselves the Classics Club. The club is led by Henry Winter, a brilliant and charismatic young man. Henry is obsessed with Greek mythology and philosophy, and he quickly draws Richard into his world. The other members of the Classics Club are equally as fascinating. Bunny Corcoran is a wealthy and spoiled young man who is always looking for a good time. Charles Tavis is a quiet and reserved young man who is deeply in love with Henry. Camilla Macaulay is a beautiful and intelligent young woman who is drawn to the power and danger of the Classics Club. The students are all deeply in love with Morrow, and they are willing to do anything to please him. Morrow is a complex and mysterious figure, and he seems to be manipulating the students for his own purposes. As the students become more involved with Morrow, they begin to commit increasingly dangerous acts. The Secret History is a brilliant and suspenseful novel that will keep you guessing until the very end. The novel is a warning tale about the dangers of obsession and the power of evil.

https://offsite.creighton.edu/files/virtual-library/Documents/minions_true_story_1903.pdf

https://offsite.creighton.edu/files/virtual-library/Documents/middle_school_improv_games.pdf

https://offsite.creighton.edu/files/virtual-library/Documents/mills_and_boon_books_pdf_free_download.pdf

Table of Contents Ducane 5004 Manual

1. Understanding the eBook Ducane 5004 Manual
 - The Rise of Digital Reading Ducane 5004 Manual
 - Advantages of eBooks Over Traditional Books
2. Identifying Ducane 5004 Manual
 - Exploring Different Genres
 - Considering Fiction vs. Non-Fiction
 - Determining Your Reading Goals
3. Choosing the Right eBook Platform
 - Popular eBook Platforms
 - Features to Look for in an Ducane 5004 Manual
 - User-Friendly Interface
4. Exploring eBook Recommendations from Ducane 5004 Manual
 - Personalized Recommendations
 - Ducane 5004 Manual User Reviews and Ratings
 - Ducane 5004 Manual and Bestseller Lists
5. Accessing Ducane 5004 Manual Free and Paid eBooks
 - Ducane 5004 Manual Public Domain eBooks
 - Ducane 5004 Manual eBook Subscription Services
 - Ducane 5004 Manual Budget-Friendly Options
6. Navigating Ducane 5004 Manual eBook Formats
 - ePub, PDF, MOBI, and More
 - Ducane 5004 Manual Compatibility with Devices
 - Ducane 5004 Manual Enhanced eBook Features
7. Enhancing Your Reading Experience

- Adjustable Fonts and Text Sizes of Ducane 5004 Manual
- Highlighting and Note-Taking Ducane 5004 Manual
- Interactive Elements Ducane 5004 Manual
- 8. Staying Engaged with Ducane 5004 Manual
 - Joining Online Reading Communities
 - Participating in Virtual Book Clubs
 - Following Authors and Publishers Ducane 5004 Manual
- 9. Balancing eBooks and Physical Books Ducane 5004 Manual
 - Benefits of a Digital Library
 - Creating a Diverse Reading Collection Ducane 5004 Manual
- 10. Overcoming Reading Challenges
 - Dealing with Digital Eye Strain
 - Minimizing Distractions
 - Managing Screen Time
- 11. Cultivating a Reading Routine Ducane 5004 Manual
 - Setting Reading Goals Ducane 5004 Manual
 - Carving Out Dedicated Reading Time
- 12. Sourcing Reliable Information of Ducane 5004 Manual
 - Fact-Checking eBook Content of Ducane 5004 Manual
 - Distinguishing Credible Sources
- 13. Promoting Lifelong Learning
 - Utilizing eBooks for Skill Development
 - Exploring Educational eBooks
- 14. Embracing eBook Trends
 - Integration of Multimedia Elements
 - Interactive and Gamified eBooks

Ducane 5004 Manual Introduction

Free PDF Books and Manuals for Download: Unlocking Knowledge at Your Fingertips In today's fast-paced digital age, obtaining valuable knowledge has become easier than ever. Thanks to the internet, a vast array of books and manuals are

now available for free download in PDF format. Whether you are a student, professional, or simply an avid reader, this treasure trove of downloadable resources offers a wealth of information, conveniently accessible anytime, anywhere. The advent of online libraries and platforms dedicated to sharing knowledge has revolutionized the way we consume information. No longer confined to physical libraries or bookstores, readers can now access an extensive collection of digital books and manuals with just a few clicks. These resources, available in PDF, Microsoft Word, and PowerPoint formats, cater to a wide range of interests, including literature, technology, science, history, and much more. One notable platform where you can explore and download free Ducane 5004 Manual PDF books and manuals is the internet's largest free library. Hosted online, this catalog compiles a vast assortment of documents, making it a veritable goldmine of knowledge. With its easy-to-use website interface and customizable PDF generator, this platform offers a user-friendly experience, allowing individuals to effortlessly navigate and access the information they seek. The availability of free PDF books and manuals on this platform demonstrates its commitment to democratizing education and empowering individuals with the tools needed to succeed in their chosen fields. It allows anyone, regardless of their background or financial limitations, to expand their horizons and gain insights from experts in various disciplines. One of the most significant advantages of downloading PDF books and manuals lies in their portability. Unlike physical copies, digital books can be stored and carried on a single device, such as a tablet or smartphone, saving valuable space and weight. This convenience makes it possible for readers to have their entire library at their fingertips, whether they are commuting, traveling, or simply enjoying a lazy afternoon at home. Additionally, digital files are easily searchable, enabling readers to locate specific information within seconds. With a few keystrokes, users can search for keywords, topics, or phrases, making research and finding relevant information a breeze. This efficiency saves time and effort, streamlining the learning process and allowing individuals to focus on extracting the information they need. Furthermore, the availability of free PDF books and manuals fosters a culture of continuous learning. By removing financial barriers, more people can access educational resources and pursue lifelong learning, contributing to personal growth and professional development. This democratization of knowledge promotes intellectual curiosity and empowers individuals to become lifelong learners, promoting progress and innovation in various fields. It is worth noting that while accessing free Ducane 5004 Manual PDF books and manuals is convenient and cost-effective, it is vital to respect copyright laws and intellectual property rights. Platforms offering free downloads often operate within legal boundaries, ensuring that the materials they provide are either in the public domain or authorized for distribution. By adhering to copyright laws, users can enjoy the benefits of free access to knowledge while supporting the authors and publishers who make these resources available. In conclusion, the availability of Ducane 5004 Manual free PDF books and manuals for download has revolutionized the way we access and consume knowledge. With just a few clicks, individuals can explore a vast collection of resources across different disciplines, all free of charge. This accessibility empowers individuals to become lifelong learners,

contributing to personal growth, professional development, and the advancement of society as a whole. So why not unlock a world of knowledge today? Start exploring the vast sea of free PDF books and manuals waiting to be discovered right at your fingertips.

FAQs About Ducane 5004 Manual Books

What is a Ducane 5004 Manual PDF? A PDF (Portable Document Format) is a file format developed by Adobe that preserves the layout and formatting of a document, regardless of the software, hardware, or operating system used to view or print it. **How do I create a Ducane 5004 Manual PDF?** There are several ways to create a PDF: Use software like Adobe Acrobat, Microsoft Word, or Google Docs, which often have built-in PDF creation tools. Print to PDF: Many applications and operating systems have a "Print to PDF" option that allows you to save a document as a PDF file instead of printing it on paper. Online converters: There are various online tools that can convert different file types to PDF. **How do I edit a Ducane 5004 Manual PDF?** Editing a PDF can be done with software like Adobe Acrobat, which allows direct editing of text, images, and other elements within the PDF. Some free tools, like PDFescape or Smallpdf, also offer basic editing capabilities. **How do I convert a Ducane 5004 Manual PDF to another file format?** There are multiple ways to convert a PDF to another format: Use online converters like Smallpdf, Zamzar, or Adobe Acrobats export feature to convert PDFs to formats like Word, Excel, JPEG, etc. Software like Adobe Acrobat, Microsoft Word, or other PDF editors may have options to export or save PDFs in different formats. **How do I password-protect a Ducane 5004 Manual PDF?** Most PDF editing software allows you to add password protection. In Adobe Acrobat, for instance, you can go to "File" -> "Properties" -> "Security" to set a password to restrict access or editing capabilities. Are there any free alternatives to Adobe Acrobat for working with PDFs? Yes, there are many free alternatives for working with PDFs, such as: LibreOffice: Offers PDF editing features. PDFsam: Allows splitting, merging, and editing PDFs. Foxit Reader: Provides basic PDF viewing and editing capabilities. How do I compress a PDF file? You can use online tools like Smallpdf, ILovePDF, or desktop software like Adobe Acrobat to compress PDF files without significant quality loss. Compression reduces the file size, making it easier to share and download. Can I fill out forms in a PDF file? Yes, most PDF viewers/editors like Adobe Acrobat, Preview (on Mac), or various online tools allow you to fill out forms in PDF files by selecting text fields and entering information. Are there any restrictions when working with PDFs? Some PDFs might have restrictions set by their creator, such as password protection, editing restrictions, or print restrictions. Breaking these restrictions might require specific software or tools, which may or may not be legal depending on the circumstances and local laws.

Find Ducane 5004 Manual :

[minions true story 1903](#)

[middle school improv games](#)

[mills and boon books pdf free download](#)

[memnon of rhodes](#)

memorias de españa elena garro

middle school geography questions

meter reader test questions and answers

modelling poses for male

mental health first aid pre and post test

mississippi biology practice test

microservice deployment patterns

midnight in broad daylight

mickey mouse template

microservice deployment patterns

middle school youth group curriculum

Ducane 5004 Manual :