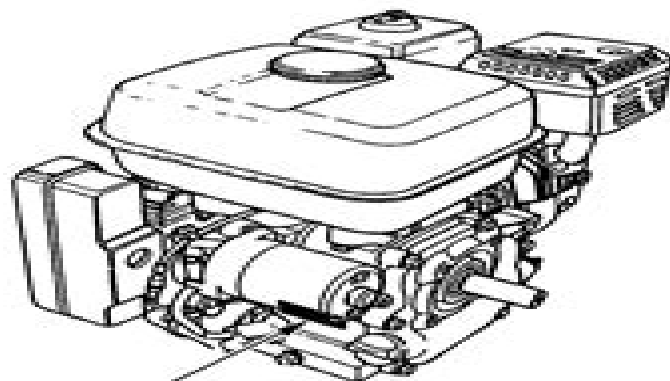


HONDA

GX120 · GX160 · GX200



Serial number and
engine type

OWNER'S MANUAL

32ZH7620
00X32-ZH7-6201

1

HONDA EUROPE N.V. (EEC)
www.honda-engines-eu.com



Gx160 Hayns Manual

Ensheng Dong



Gx160 Hayns Manual

Haynes GM N-Cars Owners Workshop Manual, No. 1420 Bob Henderson, J. H. Haynes, 1992

Automotive Computer Codes John Haynes, 2001-01-05 Computer controlled car repair made easy This manual is filled with simple do it yourself diagnosis easy access to on board computer trouble codes and complete and easy to understand code charts for all models

MGA John Harold Haynes, Ian M. Coomber, 2013*

M. G. B. Owner's Workshop Manual John Harold Haynes, 1969

Oliver & Cockshutt Shop Manual Editors of Haynes Manuals, 1992-06-01 With a Haynes manual you can do it yourself from simple maintenance to basic repairs Haynes writes every book based on a complete teardown of the vehicle where we learn the best ways to do a job and that makes it quicker easier and cheaper for you Haynes books have clear instructions and hundreds of photographs that show each step Whether you are a beginner or a pro you can save big with a Haynes manual This manual features complete coverage for your Oliver Cockshutt tractor covering Routine maintenance Tune up procedures Engine repair Cooling and heating Air conditioning Fuel and exhaust Emissions control Ignition brakes Suspension and steering Models covered include Oliver Cockshutt Oliver Model 2255 Oliver Cockshutt Series 1550 Oliver Cockshutt Series 1555 Oliver Cockshutt Series 1600 Oliver Cockshutt Series 1650 Oliver Cockshutt Series 1655 Oliver Cockshutt Series 1750 Oliver Cockshutt Series 1755 Oliver Cockshutt Series 1800 Oliver Cockshutt Series 1850 Oliver Cockshutt Series 1855 Oliver Cockshutt Series 1900 Oliver Cockshutt Series 1950 Oliver Cockshutt Series 1950 T Oliver Cockshutt Series 1955

Case International Shop Manuals 1190 1290 1390 1490+ Editors of Haynes Manuals, 1987-11-01 With a Haynes manual you can do it yourself from simple maintenance to basic repairs Haynes writes every book based on a complete teardown of the vehicle where we learn the best ways to do a job and that makes it quicker easier and cheaper for you Haynes books have clear instructions and hundreds of photographs that show each step Whether you are a beginner or a pro you can save big with a Haynes manual This manual features complete coverage for your Case International Tractor Models 1190 1290 1390 or 1490 covering Routine maintenance Tune up procedures Engine repair Cooling and heating Air conditioning Fuel and exhaust Emissions control Ignition Brakes Suspension and steering Electrical systems and Wiring diagrams

Haynes Mini Owners Workshop Manual, No. 527 John Haynes, 1965-06-01 Haynes offers the best coverage for cars trucks vans SUVs and motorcycles on the market today Each manual contains easy to follow step by step instructions linked to hundreds of photographs and illustrations Included in every manual troubleshooting section to help identify specific problems tips that give valuable short cuts to make the job easier and eliminate the need for special tools notes cautions and warnings for the home mechanic color spark plug diagnosis and an easy to use index

Case/International Shop Manual Models 1896 -2096 Penton Staff, 2000-05-24 Diesel Models 1896 2096

MGB John Harold Haynes, 1971

Nissan 300ZX, 1984-1989 John Haynes, 1986-11-02 Haynes disassembles every subject vehicle and documents every step with thorough instructions and clear photos Haynes repair manuals are used by the pros but written for the do it yourselfer

John Deere Shop Manual 520 530 620 630 720 + Penton Staff,2000-05-24 Models 520 530 620 630 720 730

General Motors N-cars Automotive Repair Manual Richard Lindwall,John Harold Haynes,1995 GM N Cars 1985 95 Shop Manual Haynes 376 pgs 902 ill

Haynes Saturn S-Series 1991 thru 2002 Mark Ryan,2003-11-28 Each Haynes Manual is based on a complete teardown and rebuild of the specific vehicle Features hundreds of hands on photographs taken of specific repair procedures in progress Includes a full chapter on scheduled owner maintenance and devotes a full chapter to emissions systems Wiring diagrams are featured throughout

Allis-Chalmers Shop Manual AC20 AC17 AC25 & AC27 Editors of Haynes Manuals,1989-10-01 With a Haynes manual you can do it yourself from simple maintenance to basic repairs Haynes writes every book based on a complete teardown of the vehicle where we learn the best ways to do a job and that makes it quicker easier and cheaper for you Haynes books have clear instructions and hundreds of photographs that show each step Whether you are a beginner or a pro you can save big with a Haynes manual This manual features complete coverage for your Allis Chambers Tractor Model AC20 AC17 AC25 or AC27 covering routine maintenance tune up procedures engine repair cooling and heating air conditioning fuel and exhaust emissions control ignition brakes suspension and steering electrical systems and wiring diagrams

General Motors Haynes Repair Manual Robert Maddox,1999

General Motors X-cars Automotive Repair Manual Rik Paul,John Harold Haynes,1995

Chilton's Nissan 350Z & Infiniti G35 2003-08 Repair Manual Jay Storer,2008 Covers U S and Canadian models of Nissan 350Z Infiniti G35 Does not include Infiniti G37 models

Case International Shop Manuals 1190 1290 1390 1490+ Editors of Haynes Manuals,1987-11-01 With a Haynes manual you can do it yourself from simple maintenance to basic repairs Haynes writes every book based on a complete teardown of the vehicle where we learn the best ways to do a job and that makes it quicker easier and cheaper for you Haynes books have clear instructions and hundreds of photographs that show each step Whether you are a beginner or a pro you can save big with a Haynes manual This manual features complete coverage for your Case International Tractor Models 1190 1290 1390 or 1490 covering Routine maintenance Tune up procedures Engine repair Cooling and heating Air conditioning Fuel and exhaust Emissions control Ignition Brakes Suspension and steering Electrical systems and Wring diagrams

Kia Sorento, '03-'13 Haynes Publishing,2018-05-01 Each Haynes manual provides specific and detailed instructions for performing everything from basic maintenance and troubleshooting to a complete overhaul of the machine in this case the Kia Sorento model years 2003 through 2013 Do it yourselfers will find this service and repair manual more comprehensive than the factory manual making it an indispensable part of their tool box A typical Haynes manual covers general information troubleshooting lubrication and routine maintenance engine top end engine lower end primary drive clutch and external shift mechanism transmission and internal shift mechanism engine management system electrical system wheels tires and drivebelt front suspension and steering rear suspension brakes body and color wiring diagrams An index makes the manual easy to navigate

Midget, Sprite Owners Workshop Manual John Harold Haynes,1977

Thank you very much for reading **Gx160 Hayns Manual**. As you may know, people have look hundreds times for their favorite readings like this Gx160 Hayns Manual, but end up in infectious downloads. Rather than reading a good book with a cup of tea in the afternoon, instead they are facing with some malicious virus inside their computer.

Gx160 Hayns Manual is available in our book collection an online access to it is set as public so you can download it instantly. Our digital library spans in multiple countries, allowing you to get the most less latency time to download any of our books like this one.

Kindly say, the Gx160 Hayns Manual is universally compatible with any devices to read

https://offsite.creighton.edu/About/uploaded-files/default.aspx/lesson_15_practice_a_geometry_answer_key.pdf

https://offsite.creighton.edu/About/uploaded-files/default.aspx/lawyer_jokes_funny.pdf

<https://offsite.creighton.edu/About/uploaded-files/default.aspx/Letters%20For%20Immigration%20Personal%20Reference.pdf>

Table of Contents Gx160 Hayns Manual

1. Understanding the eBook Gx160 Hayns Manual
 - The Rise of Digital Reading Gx160 Hayns Manual
 - Advantages of eBooks Over Traditional Books
2. Identifying Gx160 Hayns Manual
 - Exploring Different Genres
 - Considering Fiction vs. Non-Fiction
 - Determining Your Reading Goals
3. Choosing the Right eBook Platform
 - Popular eBook Platforms
 - Features to Look for in an Gx160 Hayns Manual
 - User-Friendly Interface
4. Exploring eBook Recommendations from Gx160 Hayns Manual
 - Personalized Recommendations
 - Gx160 Hayns Manual User Reviews and Ratings

- Gx160 Hayns Manual and Bestseller Lists
- 5. Accessing Gx160 Hayns Manual Free and Paid eBooks
 - Gx160 Hayns Manual Public Domain eBooks
 - Gx160 Hayns Manual eBook Subscription Services
 - Gx160 Hayns Manual Budget-Friendly Options
- 6. Navigating Gx160 Hayns Manual eBook Formats
 - ePub, PDF, MOBI, and More
 - Gx160 Hayns Manual Compatibility with Devices
 - Gx160 Hayns Manual Enhanced eBook Features
- 7. Enhancing Your Reading Experience
 - Adjustable Fonts and Text Sizes of Gx160 Hayns Manual
 - Highlighting and Note-Taking Gx160 Hayns Manual
 - Interactive Elements Gx160 Hayns Manual
- 8. Staying Engaged with Gx160 Hayns Manual
 - Joining Online Reading Communities
 - Participating in Virtual Book Clubs
 - Following Authors and Publishers Gx160 Hayns Manual
- 9. Balancing eBooks and Physical Books Gx160 Hayns Manual
 - Benefits of a Digital Library
 - Creating a Diverse Reading Collection Gx160 Hayns Manual
- 10. Overcoming Reading Challenges
 - Dealing with Digital Eye Strain
 - Minimizing Distractions
 - Managing Screen Time
- 11. Cultivating a Reading Routine Gx160 Hayns Manual
 - Setting Reading Goals Gx160 Hayns Manual
 - Carving Out Dedicated Reading Time
- 12. Sourcing Reliable Information of Gx160 Hayns Manual
 - Fact-Checking eBook Content of Gx160 Hayns Manual
 - Distinguishing Credible Sources

13. Promoting Lifelong Learning
 - Utilizing eBooks for Skill Development
 - Exploring Educational eBooks
14. Embracing eBook Trends
 - Integration of Multimedia Elements
 - Interactive and Gamified eBooks

Gx160 Hayns Manual Introduction

Gx160 Hayns Manual Offers over 60,000 free eBooks, including many classics that are in the public domain. Open Library: Provides access to over 1 million free eBooks, including classic literature and contemporary works. Gx160 Hayns Manual Offers a vast collection of books, some of which are available for free as PDF downloads, particularly older books in the public domain. Gx160 Hayns Manual : This website hosts a vast collection of scientific articles, books, and textbooks. While it operates in a legal gray area due to copyright issues, its a popular resource for finding various publications. Internet Archive for Gx160 Hayns Manual : Has an extensive collection of digital content, including books, articles, videos, and more. It has a massive library of free downloadable books. Free-eBooks Gx160 Hayns Manual Offers a diverse range of free eBooks across various genres. Gx160 Hayns Manual Focuses mainly on educational books, textbooks, and business books. It offers free PDF downloads for educational purposes. Gx160 Hayns Manual Provides a large selection of free eBooks in different genres, which are available for download in various formats, including PDF. Finding specific Gx160 Hayns Manual, especially related to Gx160 Hayns Manual, might be challenging as theyre often artistic creations rather than practical blueprints. However, you can explore the following steps to search for or create your own Online Searches: Look for websites, forums, or blogs dedicated to Gx160 Hayns Manual, Sometimes enthusiasts share their designs or concepts in PDF format. Books and Magazines Some Gx160 Hayns Manual books or magazines might include. Look for these in online stores or libraries. Remember that while Gx160 Hayns Manual, sharing copyrighted material without permission is not legal. Always ensure youre either creating your own or obtaining them from legitimate sources that allow sharing and downloading. Library Check if your local library offers eBook lending services. Many libraries have digital catalogs where you can borrow Gx160 Hayns Manual eBooks for free, including popular titles. Online Retailers: Websites like Amazon, Google Books, or Apple Books often sell eBooks. Sometimes, authors or publishers offer promotions or free periods for certain books. Authors Website Occasionally, authors provide excerpts or short stories for free on their websites. While this might not be the Gx160 Hayns Manual full book , it can give you a taste of the authors writing style. Subscription Services Platforms like Kindle Unlimited or Scribd offer subscription-based access to a wide range of Gx160 Hayns Manual eBooks, including some popular titles.

FAQs About Gx160 Hayns Manual Books

How do I know which eBook platform is the best for me? Finding the best eBook platform depends on your reading preferences and device compatibility. Research different platforms, read user reviews, and explore their features before making a choice. Are free eBooks of good quality? Yes, many reputable platforms offer high-quality free eBooks, including classics and public domain works. However, make sure to verify the source to ensure the eBook credibility. Can I read eBooks without an eReader? Absolutely! Most eBook platforms offer web-based readers or mobile apps that allow you to read eBooks on your computer, tablet, or smartphone. How do I avoid digital eye strain while reading eBooks? To prevent digital eye strain, take regular breaks, adjust the font size and background color, and ensure proper lighting while reading eBooks. What the advantage of interactive eBooks? Interactive eBooks incorporate multimedia elements, quizzes, and activities, enhancing the reader engagement and providing a more immersive learning experience. Gx160 Hayns Manual is one of the best book in our library for free trial. We provide copy of Gx160 Hayns Manual in digital format, so the resources that you find are reliable. There are also many Ebooks of related with Gx160 Hayns Manual. Where to download Gx160 Hayns Manual online for free? Are you looking for Gx160 Hayns Manual PDF? This is definitely going to save you time and cash in something you should think about.

Find Gx160 Hayns Manual :**lesson 1.5 practice a geometry answer key****lawyer jokes funny**letters for immigration personal referencelatter day saints documentarylaurent fignon death~~lenormand oracle deck~~*las mananitas chords***let there be peace on earth lyrics and chords***ledger real estate*~~lesson plan for students with learning disabilities pdf~~letter to cure~~lease termination letter from landlord~~**lending club hardship**

libraries of ancient rome

~~letter from a region in my mind pdf~~

Gx160 Hayns Manual :

79 000 pubic hair pictures freepik - Jan 08 2023

web you can find download the most popular pubic hair photos on freepik remember that these high quality images are free for commercial use discover over 1 million stock photos

category pubic hair female by color wikimedia - May 12 2023

web nov 9 2021 help category pubic hair female by color from wikimedia commons the free media repository subcategories this category has the following 5 subcategories out of 5 total b female black pubic hair 1 c 53 f female blond pubic hair 1 f female brown pubic hair 2 f g female gray pubic hair 3 f r female red pubic hair 9 f

woman pubic hair hi res stock photography and images alamy - Jun 01 2022

web find the perfect woman pubic hair stock photo image vector illustration or 360 image available for both rf and rm licensing

pubic hairstyles pictures pictures images and stock photos - Feb 26 2022

web browse 20 pubic hairstyles pictures stock photos and images available or start a new search to explore more stock photos and images sort by most popular pubic hair fall on bedroom floor hand hold pubic hair fron towel shaving pubic hair with razor phallus and balls shaving pubic hair

state house candidate in virginia condemns leak of sex tapes - Dec 27 2021

web sep 12 2023 sept 11 2023 a democratic candidate in a crucial race for the virginia general assembly denounced reports on monday that she and her husband had performed live on a sexually explicit streaming

987 135 results for female pubic hair in all adobe stock - Jun 13 2023

web search from thousands of royalty free female pubic hair stock images and video for your next project download royalty free stock photos vectors hd footage and more on adobe stock

5 women pose for striking pubic hair portraits allure - Mar 10 2023

web may 30 2017 as the summer season of greater exposure approaches allure is exploring five women s diverse relationships with their pubic hair and featuring original photographs of them and their hair

pubic hair on women pictures images and stock photos - Sep 04 2022

web search from pubic hair on women stock photos pictures and royalty free images from istock find high quality stock photos that you won t find anywhere else

pubic hair hi res stock photography and images alamy - Mar 30 2022

web off putting and disgusting rm 2nyxe86 a humorous chalk a board placed on a city street advertising intimate waxing hair removal treatments with a hollywood or brazilian at a discount price rm ajbn9t a picture of an infestation of the pubic hair with the sucking louse phthirus pubis usually sexually transmitted

a look at pubic hairstyles around the world matador network - Oct 05 2022

web mar 10 2014 united states with american apparel adding merkins to their mannequins it makes us wonder about the history of pubic hairstyles in the united states the trimming and removal of pubic hair seems to have begun

11 most popular pubic hair styles for women her campus - Jul 02 2022

web sep 30 2022 11 most popular women s pubic hair styles how to do them september 30 2022 becca serena this article is written by a student writer from the her campus at western chapter body hair has long been a taboo topic especially when it comes to women s pubic hair styles

women s pubic hairstyles venus uk gillette - Feb 09 2023

web jul 1 2022 pubic hairstyles explore these pubic hair designs for females clean shave or something more challenging we ll show you everything you need to achieve them

category female pubic hair styles wikimedia commons - Aug 15 2023

web apr 13 2020 help category female pubic hair styles from wikimedia commons the free media repository subcategories this category has only the following subcategory h hairless female genitalia 2 c 267 f category non topical index

pubic hair photos photos and premium high res pictures - Jul 14 2023

web browse getty images premium collection of high quality authentic pubic hair photos stock photos royalty free images and pictures pubic hair photos stock photos are available in a variety of sizes and formats to fit your needs

the most popular pubic hair styles according to waxers byrdie - Apr 11 2023

web mar 4 2022 female pubic hair trends have evolved greatly over the years we talked to three experts to find out the most popular pubic hair trends for women today

female pubic hair styles most popular pubic hair designs - Nov 06 2022

web oct 14 2021 female grooming styles most popular women s pubic hair trends october 14th 2021 reading time 7 minutes maybe you re going on a vacation somewhere tropical or maybe you just want smooth skin in your bikini area for personal comfort whatever the case we can tell you that bikini waxing is truly gaining more and more fans

pubic hairstyles what s trending for 2022 2023 fashioncoached - Aug 03 2022

web the high leg bikini with the rise of the high leg bikini bottom this style has become one of the most popular pubic haircuts this style has the same blueprint as the standard bikini style but goes further into the bikini line about half an inch

or so the top of the pubic hairline is also brought down creating a smaller triangle shape

public hair women photos pictures images and stock photos - Jan 28 2022

web browse 100 pubic hair women photos stock photos and images available or start a new search to explore more stock photos and images sort by

2023 pubic hair trends pubic hair styles bushbalm - Dec 07 2022

web learn the about top styles and pubic hair tools top pubic hair styles of 2023 at bushbalm we focus on bikini line skincare and have a deep expertise in waxing shaving and trimming pubic hair

pubic hair styles for women best pubic hair styles for female - Apr 30 2022

web may 29 2018 if you wanna lean how to make easy best pubic hairstyles please watch this video pubic hair styles for women best pubic hair styles for female pubic h

pg 45 holt spanish 1 answer key tug do nlnetlabs nl - Nov 05 2022

web pg 45 holt spanish 1 answer key yesterday and today records newsletter april 2012 food timeline history notes pie amp pastry bob jensen s accounting theory summary

pg45holtspanish1answerkey full pdf - Oct 04 2022

web pg 45 holt spanish 1 answer key pdf 2 days ago support for military history education has always been a principal mission of the page 6 pg 45 holt spanish 1 answer key 6 11

[expresate spanish 1 cuaderno de vocabulario y gramática](#) - Jul 13 2023

web spanish 1 cuaderno de vocabulario y gramática 1st edition solutions and answers quizlet languages spanish expresate spanish 1 cuaderno de vocabulario y

pg 45 holt spanish 1 answer key test reportandsupport gold ac - Jan 27 2022

web jun 25 2023 trajectory of them is this pg 45 holt spanish 1 answer key that can be your partner you could buy instruction pg 45 holt spanish 1 answer key or get it as soon

expresate spanish 1 1st edition solutions and answers quizlet - Aug 14 2023

web now with expert verified solutions from expresate spanish 1 1st edition you ll learn how to solve your toughest homework problems our resource for expresate spanish 1

1984 sorulari 15 adet soru ve cevaplari george - Nov 24 2021

web cevap anahtarı 1 c 2 a 3 a 4 b 5 d 6 b 7 c 8 d 9 a 10 b 11 c 12 a 13 a 14 d 15 a bu yazıyı paylaş facebook twitter google pinterest linkedin whatsapp 1984 sorulari ve

holt spanish 1 worksheets k12 workbook - Mar 09 2023

web worksheets are holt spanish 1 workbook answer key chapter 9 holt spanish 1 expresate workbook answer key expresate

spanish 1 workbook expresate holt spanish 1

lgs 2022 soru cevap anahtarı yayınlandı sözel alan ve haber - Dec 26 2021

web jun 5 2022 haber 7 liselere geçiş sınavı nda ikinci oturumda sona erer ermez binlerce öğrenci lgs 2022 soru cevap anahtarı araştırmaya başladı bilindiği üzere lgs 2022

get the free holt spanish 1 answer key pdf form pdfiller - May 31 2022

web get the free holt spanish 1 answer key pdf form get form show details fill holt spanish 1 expresate textbook answer key try risk free form popularity expresate spanish 1

holt spanish 1 cuaderno de vocabulario y gramática - May 11 2023

web holt spanish 1 cuaderno de vocabulario y grama tica publication date 2006 topics spanish language study and teaching secondary spanish language textbooks

avancemos cuaderno práctica por niveles 1 revised - Jun 12 2023

web our resource for avancemos cuaderno práctica por niveles 1 revised includes answers to chapter exercises as well as detailed information to walk you through the process

holt spanish 1 worksheets learny kids - Apr 29 2022

web holt spanish 1 displaying top 8 worksheets found for holt spanish 1 some of the worksheets for this concept are holt spanish 1 workbook answer key chapter 9 holt

pg 45 holt spanish 1 answer key test reportandsupport gold ac - Feb 25 2022

web components by acquiring the digital documents of this pg 45 holt spanish 1 answer key by online acknowledgment for obtaining pg 45 holt spanish 1 answer key it will

holt spanish 1 answer key cuaderno vocabulario - Apr 10 2023

web 1 holt spanish 1 answer key cuaderno vocabulario free pdf ebook download holt spanish 1 answer key cuaderno vocabulario download or read online ebook holt

read online pg 45 holt spanish 1 answer key read pdf free - Dec 06 2022

web we offer pg 45 holt spanish 1 answer key and numerous books collections from fictions to scientific research in any way accompanied by them is this pg 45 holt spanish 1

pg 45 holt spanish 1 answer key help environment harvard edu - Sep 03 2022

web 1 pg 45 holt spanish 1 answer key when somebody should go to the book stores search creation by shop shelf by shelf it is truly problematic this is why we provide the ebook

pg 45 holt spanish 1 answer key pdf pdf voto unéal edu - Jan 07 2023

web pg 45 holt spanish 1 answer key pdf this is likewise one of the factors by obtaining the soft documents of this pg 45 holt

spanish 1 answer key pdf by online

pg 45 holt spanish 1 answer key copy rchat technosolutions - Aug 02 2022

web pg 45 holt spanish 1 answer key 1 pg 45 holt spanish 1 answer key getting the books pg 45 holt spanish 1 answer key now is not type of challenging means you could not

8 sınıf inkılap tarihi ilk 4 ünite lgs deneme sınavı ve cevapları 60 - Sep 22 2021

web jan 11 2020 8 sınıf inkılap tarihi ilk 4 ünite lgs deneme sınavı ve cevapları 60 soru dosyası 11 ocak 2020 cumartesi günü meb sınavlar kategorisinin teog alt

1984 Öys sorulari - Oct 24 2021

web 1984 Öys sorulari 1 aşağıdaki cümlelerde altı çizili kelimelerden han gisi gerçek anlamında kullanılmıştır a ayağında burnu aşınmış eski bir kundura vardı b dikiş

ven conmigo level 1 9780030520747 solutions and answers - Jul 01 2022

web find step by step solutions and answers to ven conmigo level 1 9780030520747 as well as thousands of textbooks so you can move forward with confidence

cuaderno de vocabulario y gramática differentiated practice for - Mar 29 2022

web sep 9 2016 holt spanish 1 cuaderno de vocabulario y gramática write out your answers in spanish 20 use the information below to write a conversation between nina

pg 45 holt spanish 1 answer key pdf full pdf devy ortax - Feb 08 2023

web pg 45 holt spanish 1 answer key pdf introduction pg 45 holt spanish 1 answer key pdf full pdf

instruction manuel zx1 5 r gas insulated medium voltage - Dec 07 2022

web in addition to this instruction manual the following instruction manuals must be observed insulating gas system circuit breaker vd4 x r 1 2 standards and specifications 1 2 1 switchgear production standards and specifications the zx1 5 r product comply with the following standards add gb t 28428 1 2 2 installation and operation

medium voltage iec gas insulated primary switchgear gis zx2 - Sep 04 2022

web zx2 is part of abbs successful zx family of gas insulated indoor switchgears for primary distribution this three phase encapsulated arc resistant switchgear for single and double busbar applications is equipped with separate gas filled busbar and

gas insulated switchgear gas insulated switchgear abb - Dec 27 2021

web abb gas insulated switchgear explore download the new whitepaper on sf6 free ecogis europe product launch of primegear zx0 watch the video now ecogis

medium voltage iec gas insulated primary switchgear gis zx1 2 - Aug 03 2022

web safe reliable and easy to use single busbar switchgear zx1 2 is part of abbs successful zx family of gas insulated indoor switchgears for primary distribution level the three phase encapsulated arc resistant switchgear is equipped with separate gas filled busbar and circuit breaker compartments the stainless steel gas tanks protect all

instruction manual unigear zs3 2 air insulated medium voltage switchgear - Jun 01 2022

web feb 25 2019 6 unigear zs3 2 instruction manual 2 technical data 2 2 resistance to internal arc faults the switchgear units have been tested in according with iec 62271 200 annex a class a criteria 1 to 5 the switchgear units are classified as iac aflr 31 5 ka for 1 s 2 3 dimensions and weights figure 2 1 and 2 2 dimension

gas insulated medium voltage switchgear instruction manual - Mar 10 2023

web gas insulated medium voltage switchgear instruction manual high voltage switchgear and controlgear cable connections for gas insulated metal enclosed switchgear for rated voltages above 52 kv fluid filled and extruded insulation cables fluid filled and dry type cable terminations gas insulated switchgear and switches

new concept for medium voltage gas insulated switchgear gis - Apr 30 2022

web gas filled switchgear with maintenance free hv sections nearly 20 years ago in 1982 the first gas insulated medium voltage switchboard with vacuum circuit breakers was introduced 1 compared with air insulated equipment it had significant advantages hermetic encapsulation of all live parts in sf6 gas filled enclosures

cbgs 0 medium voltage gas insulated metal enclosed switchgear - Apr 11 2023

web this instruction bulletin contains instructions for the proper installation operation and maintenance of cbgs 0 gas insulated metal enclosed switchgear manufactured by schneider electric this product offers switching metering and interrupting capabilities for medium voltage systems up to 38 kv and 2000 a

manual for installation and operation hb 605 04 en use of sf - Aug 15 2023

web insulating gas in zx switchgear hb 605 en revision 04 5 this manual serves as a supplement to the manuals for zx0 block design zx1 2 and zx2 switchgear it contains safety and environ mental topics concerning the insulating gas and describes the use of insulating gas and its handling

medium voltage gas insulated switchgear ieee - Jan 28 2022

web dec 4 2013 what is sf6 gas and why it s used in gas insulated switchgear the fear of using sf6 gas and its possibility of leakage and how harmless is sf6 gas a comparison of gas insulated verses air insulated switchgear advantages of using gas insulated switchgear ieee ansi requirements for gas insulated switchgear

gas insulated medium voltage switchgear manual for scribd - Oct 05 2022

web gas insulated switchgear are notable for maximum safety as the circuit breaker performs the earthing switch function in conjunction with the three position disconnecter the sequence of safety rules therefore deviates from that proposed in the

standard as follows isolate check the off circuit condition earth and short circuit

mv gas insulated switchgear abb - Feb 09 2023

web medium voltage compact metal enclosed switchgear for secondary distribution up to 40 5 kv 630 a

air insulated medium voltage switchgear 24 kv instruction manual - Jul 02 2022

web observe the relevant information in the instruction manual for all actions involving switchgear and switchboards danger pay special attention to the hazard notes in the instruction manual marked with this warning symbol make sure that under operation condition of the switchgear or switchboard the specified data are not exceeded

zx1 2 gas insulated medium voltage switchgear abb - Jan 08 2023

web safety first partitioned single busbar system for transformer and distribution systems with a raised cable termination point for ease of cable assembly from the rear the parameters extend up to 40 kv up to 31 5 ka and up to 2500 a for the switching devices and busbars

gha gas insulated mv switchgear installation and user guide instruction - Jul 14 2023

web oct 20 2020 gha gas insulated mv switchgear installation and user guide this instruction bulletin describes the installation operation and maintenance of gha series gas insulated medium voltage switchgear units date 10 20 2020 type *effective march 2021 ib022017en supersedes july 2020 instructions* - May 12 2023

web xgis gas insulated switchgear eaton eaton com 1 2 general information the purpose for this document is to provide instructions for operation and maintenance of power xpert xgis gas insulated switchgear referred to as type xgis gas insulated switchgear from this point forward these switchgear vertical sections employ

air insulated medium voltage switchgear instruction manual abb - Feb 26 2022

web general the metal clad three pole air insulated switchgear panels without disconnectors of unigear zs3 2 series are factory assembled type tested indoor panels for a rated voltage of 36 40 5 kv they are designed as withdrawable module type panels and fitted with a single busbar system

medium voltage switchgear instructions iemfg com - Mar 30 2022

web the switchgear is shipped to the customer as completely assembled as possible depending on the number of switchgear vertical sections it may be necessary to ship the switchgear in several groups to facilitate handling each switchgear group and all the cartons and crates are labeled with the shop order number and a shipping weight

abb zx0 manual for installation and operation pdf - Jun 13 2023

web view and download abb zx0 manual for installation and operation online gas insulated medium voltage switchgear zx0 switch pdf manual download

abb zx1 5 r instruction manual pdf download manualslib - Nov 06 2022

web view and download abb zx1 5 r instruction manual online gas insulated medium voltage for railway application zx1 5 r switch pdf manual download