

30. For the series-parallel circuit in Figure 11-24, given $R_1 = 15 \Omega$, $R_2 = 50 \Omega$, $R_3 = 50 \Omega$, $R_4 = 75 \Omega$, and $V_T = 6.5 \text{ V}$, find I_1 , I_2 , V_3 , and the total power dissipated.

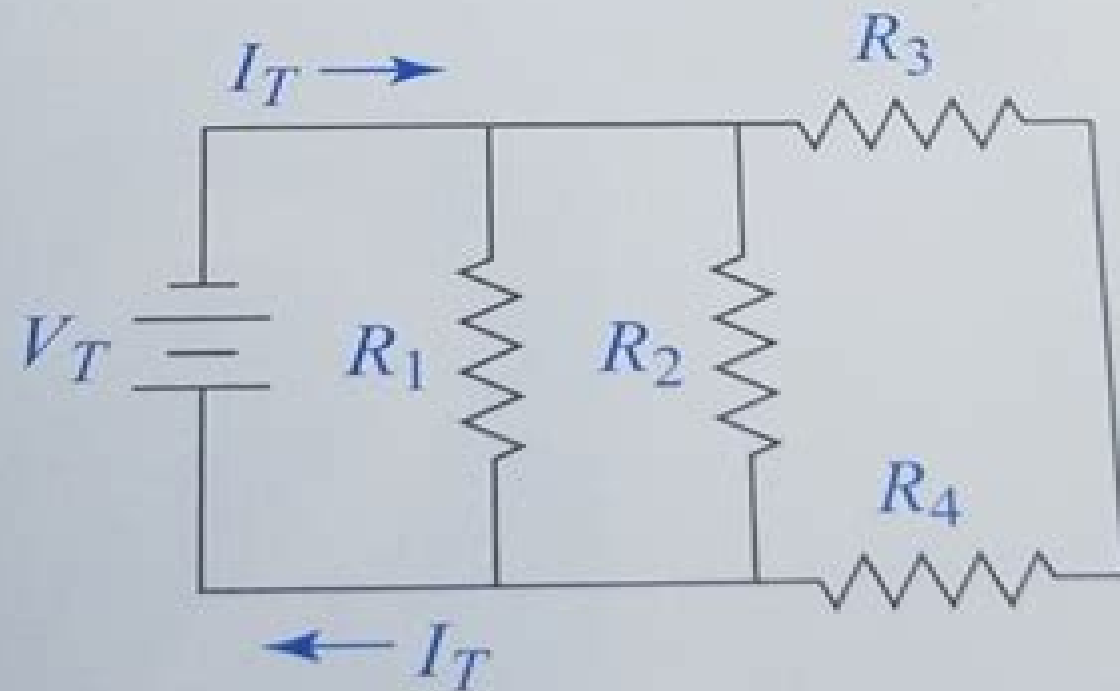


FIGURE 11-24 Series-parallel circuit for problems 29 and 30.

Electrical Engineering Numerical Problems Solutions

Christopher J. Zarowski



Electrical Engineering Numerical Problems Solutions

350 Solved Electrical Engineering Problems Edward Karalis,2004 This collection of solved electrical engineering problems should help you review for the Fundamentals of Engineering FE and Principles and Practice PE exams With this guide you ll hone your skills as well as your understanding of both fundamental and more difficult topics 100% problems and step by step solutions

Basic Electronic Circuits K. Vasudevan,2022-09-14 This book contains entirely numerical problems and fully worked solutions in the topic of basic electronic circuits and it is designed for entry level undergraduate courses as a supplement to standard textbooks and references Each chapter contains interesting numerical problems with fully worked solutions to illustrate the approach of problem solving techniques for electronic circuits The book is written in a lucid manner so that students are able to understand the realization behind the mathematical concepts which are the backbone of this subject The book will benefit students who are taking introductory courses in electronic circuits and devices

Problems and Solutions in Electronics R. Loxton,1994-03-31 This book of problems with worked solutions is designed to provide practice in problem solving for students on undergraduate and HND programmes in Electronics It may be used as a stand alone book or as a companion volume to Electronics by Crecraft Gorham and Sparkes Chapman Hall 1992

Electric Circuit Problems with Solutions F. A. Benson,2012-12-06 Electrical engineering and electronic engineering students have frequently to resolve and simplify quite complex circuits in order to understand them or to obtain numerical results and a sound knowledge of basic circuit theory is therefore essential The author is very much in favour of tutorials and the solving of problems as a method of education Experience shows that many engineering students encounter difficulties when they first apply their theoretical knowledge to practical problems Over a period of about twenty years the author has collected a large number of problems on electric circuits while giving lectures to students attending the first two post intermediate years of University engineering courses The purpose of this book is to present these problems a total of 365 together with many solutions some problems with answers given at the end of each Chapter are left as student exercises in the hope that they will prove of value to other teachers and students Solutions are separated from the problems so that they will not be seen by accident The answer is given at the end of each problem however for convenience Parts of the book are based on the author's previous work *Electrical Engineering Problems with Solutions* which was published in 1954

Electrical Engineering Lincoln D. Jones,2004-07 Step by step solutions to all practice problems for the electrical engineering license examination including fundamental concepts and techniques machines power distribution electronics control systems computing digital systems communication systems biomedical instrumentation and safety and engineering economics

An Introduction to Numerical Analysis for Electrical and Computer Engineers Christopher J. Zarowski,2004-05-13 This book is an introduction to numerical analysis and intends to strike a balance between analytical rigor and the treatment of particular methods for

engineering problems Emphasizes the earlier stages of numerical analysis for engineers with real life problem solving solutions applied to computing and engineering Includes MATLAB oriented examples An Instructor s Manual presenting detailed solutions to all the problems in the book is available from the Wiley editorial department Basics Of Electrical Engineering , Second Edition Sanjeev Sharma,2009-01-01 The book provides theory concerned with a large number of numerical problems Questions related to the topic at the end of each chapter are also given Solved question papers of previous years and important formulas are appended at the end of the book Salient features More than 500 solved numerical problems Problems of GATE and other competitive exams Solutions and discussion on the UPSC problems and solutions Standard tricks to solve the difficult problems that will help the students not only in the university exams but also in the competitive exams Electrical Problems for Engineering Students William L. Hooper,2015-06-15 Excerpt from Electrical Problems for Engineering Students Electrical Problems has been written in the belief that there is a field and should be a demand for this class of textbook In physical science generally and especially in engineering knowledge is of use only so far as we are able to calculate numerical results and ability to obtain such results quickly and accurately is to be obtained only by extensive practice Then too the ordinary mind arrives at a clear conception of general principles only by the way of concrete examples To the average student mathematical formul are vague and uninviting until he has himself made practical application of them For some years the students of electrical engineering in Tufts College have been largely exercised in the solution of numerical problems and both the experience of the instructors and the testimony of the students themselves clearly indicate the value of such work in rendering clear and precise their views of electrical phenomena Especially valuable in clarifying the students conceptions of physical relations are those problems whose answers appear in the form of curves showing the effects of varying the quantities involved Most of the problems in this book have already been presented to the electrical classes in Tufts College Nevertheless among so large a number it is probable that errors especially in the answers remain to be corrected About the Publisher Forgotten Books publishes hundreds of thousands of rare and classic books Find more at www.forgottenbooks.com This book is a reproduction of an important historical work Forgotten Books uses state of the art technology to digitally reconstruct the work preserving the original format whilst repairing imperfections present in the aged copy In rare cases an imperfection in the original such as a blemish or missing page may be replicated in our edition We do however repair the vast majority of imperfections successfully any imperfections that remain are intentionally left to preserve the state of such historical works **Problems in Electrical Engineering: Power Engineering and Electronics with Answers Partly Solved in S.I. Units, 9e** Parker Smith,2003-02-01 **Inverse Problems in Electric Circuits and Electromagnetics** N.V. Korovkin,V.L. Chechurin,M. Hayakawa,2007-04-14 This is the first book to offer a comprehensive exploration of new methods in inverse problems in electromagnetics The book provides systematic descriptions of the most important practical inverse problems and details new methods to solve them Also included are

descriptions of the properties of inverse problems and known solutions as well as reviews of the practical implementation of these methods in electric circuit theory and electromagnetic fields theory This comprehensive collection of modern theoretical ideas and methods to solve inverse problems will be of value to both students and working professionals

The Cell Method for Electrical Engineering and Multiphysics Problems Piergiorgio Alotto, Fabio Freschi, Maurizio Repetto, Carlo Rosso, 2013-01-24 This book presents a numerical scheme for the solution of field problems governed by partial differential equations the cell method The technique lends itself naturally to the solution of multiphysics problems with several interacting phenomena The Cell Method based on a space time tessellation is intimately related to the work of Tonti and to his ideas of classification diagrams or as they are nowadays called Tonti diagrams a graphical representation of the problem s equations made possible by a suitable selection of a space time framework relating physical variables to each other The main features of the cell method are presented and links with many other discrete numerical methods finite integration techniques finite difference time domain finite volumes mimetic finite differences etc are discussed After outlining the theoretical basis of the method a set of physical problems which have been solved with the cell method is described These single and multiphysics problems stem from the authors research experience in the fields of electromagnetism elasticity thermo elasticity and others Finally the implementation of the numerical technique is described in all its main components space time discretization problem formulation solution and representation of the resulting physical fields

Electrical Power Systems Engineering Alvin H. Knable, 1982

Numerical Analysis with Applications in Mechanics and Engineering Petre Teodorescu, Nicolae-Doru Stanescu, Nicolae Pandrea, 2013-05-07 A much needed guide on how to use numerical methods to solve practical engineering problems Bridging the gap between mathematics and engineering Numerical Analysis with Applications in Mechanics and Engineering arms readers with powerful tools for solving real world problems in mechanics physics and civil and mechanical engineering Unlike most books on numerical analysis this outstanding work links theory and application explains the mathematics in simple engineering terms and clearly demonstrates how to use numerical methods to obtain solutions and interpret results Each chapter is devoted to a unique analytical methodology including a detailed theoretical presentation and emphasis on practical computation Ample numerical examples and applications round out the discussion illustrating how to work out specific problems of mechanics physics or engineering Readers will learn the core purpose of each technique develop hands on problem solving skills and get a complete picture of the studied phenomenon Coverage includes How to deal with errors in numerical analysis Approaches for solving problems in linear and nonlinear systems Methods of interpolation and approximation of functions Formulas and calculations for numerical differentiation and integration Integration of ordinary and partial differential equations Optimization methods and solutions for programming problems Numerical Analysis with Applications in Mechanics and Engineering is a one of a kind guide for engineers using mathematical models and methods as well as for physicists and

mathematicians interested in engineering problems

Boundary Value Problems for Engineers Ali Ümit

Keskin,2019-06-19 This book is designed to supplement standard texts and teaching material in the areas of differential equations in engineering such as in Electrical Mechanical and Biomedical engineering Emphasis is placed on the Boundary Value Problems that are often met in these fields This keeps the the spectrum of the book rather focussed The book has basically emerged from the need in the authors lectures on Advanced Numerical Methods in Biomedical Engineering at Yeditepe University and it is aimed to assist the students in solving general and application specific problems in Science and Engineering at upper undergraduate and graduate level Majority of the problems given in this book are self contained and have varying levels of difficulty to encourage the student Problems that deal with MATLAB simulations are particularly intended to guide the student to understand the nature and demystify theoretical aspects of these problems Relevant references are included at the end of each chapter Here one will also find large number of software that supplements this book in the form of MATLAB script m files The name of the files used for the solution of a problem are indicated at the end of each corresponding problem statement There are also some exercises left to students as homework assignments in the book An outstanding feature of the book is the large number and variety of the solved problems that are included in it Some of these problems can be found relatively simple while others are more challenging and used for research projects All solutions to the problems and script files included in the book have been tested using recent MATLAB software The features and the content of this book will be most useful to the students studying in Engineering fields at different levels of their education upper undergraduate graduate

3,000 Solved Problems in Electrical Circuits Syed A. Nasar,1988-01-22

Schaum s powerful problem solver gives you 3 000 problems in electric circuits fully solved step by step The originator of the solved problem guide and students favorite with over 30 million study guides sold Schaum s offers a diagram packed timesaver to help you master every type of problem you ll face on tests Problems cover every area of electric circuits from basic units to complex multi phase circuits two port networks and the use of Laplace transforms Go directly to the answers and diagrams you need with our detailed cross referenced index Compatible with any classroom text Schaum s 3000 Solved Problems in Electric Circuits is so complete it s the perfect tool for graduate or professional exam prep

Time and Frequency Domain Solutions of EM Problems B. H. Jung,T. K. Sarkar,Y. Zhang,Z. Ji,M. Yuan,M. Salazar-Palma,S. M. Rao,S. W. Ting,Z. Mei,A.

De,2010-11-09 Numerical solutions of electromagnetic field problems is an area of paramount interest in academia industry and government This book provides a compendium of solution techniques dealing with integral equations arising in electromagnetic field problems in time and frequency domains Written by leading researchers in the field it documents the authors unique space time separation approach using Laguerre polynomials Numerous examples that illustrate the various methodologies and user friendly computer codes make this volume highly accessible for engineers researchers and scientists

Electric and Magnetic Fields R. Belmans,A. Nicolet,2012-12-06 This book contains the edited versions of the papers

presented at the Second International Workshop on Electric and Magnetic Fields held at the Katholieke Universiteit van Leuven Belgium in May 1994 This Workshop deals with numerical solutions of electromagnetic problems in real life applications The topics include coupled problems thermal mechanical electric circuits CAD CAM applications 3D eddy current and high frequency problems optimisation and application oriented numerical problems This workshop was organised jointly by the AIM Association of Engineers graduated from de Montefiore Electrical Institute together with the Departments of Electrical Engineering of the Katholieke Universiteit van Leuven Prof R Belmans the University of Gent Prof J Melkebbek and the University of Liege Prof W Legros These laboratories are working together in the framework of the Pole d Attraction Interuniversitaire Inter University Attractie Pole 51 on electromagnetic systems led by the University of Liege and the research work they perform covers most of the topics of the Workshop One of the principal aims of this Workshop was to provide a bridge between the electromagnetic device designers mainly industrialists and the electromagnetic field computation developers Therefore this book contains a continuous spectrum of papers from application of electromagnetic models in industrial design to presentation of new theoretical developments

Mathematical and Numerical Modelling in Electrical Engineering Theory and Applications Michal Krížek, Pekka Neittaanmäki, 2013-03-09 Mathematical modeling plays an essential role in science and engineering Costly and time consuming experiments if they can be done at all are replaced by computational analysis In industry commercial codes are widely used They are flexible and can be adjusted for solving specific problems of interest Solving large problems with tens or hundreds of thousands unknowns becomes routine The aim of analysis is to predict the behavior of the engineering and physical reality usually within the constraints of cost and time Today human cost and time are more important than computer cost This trend will continue in the future Agreement between computational results and reality is related to two factors namely mathematical formulation of the problems and the accuracy of the numerical solution The accuracy has to be understood in the context of the aim of the analysis A small error in an inappropriate norm does not necessarily mean that the computed results are usable for practical purposes

Fundamental Numerical Methods for Electrical Engineering Stanislaw Rosloniec, 2008-07-17 Stormy development of electronic computation techniques computer systems and software observed during the last decades has made possible automation of data processing in many important human activity areas such as science technology economics and labor organization In a broadly understood technology area this development led to separation of specialized forms of using computers for the design and manufacturing processes that is computer aided design CAD computer aided manufacture CAM In order to show the role of computer in the rest of the two applications mentioned above let us consider basic stages of the design process for a standard piece of electronic system or equipment formulation of requirements concerning user properties characteristics parameters of the designed equipment elaboration of the initial possibly general electric structure determination of mathematical model of the system on the basis of the adopted

electric structure determination of basic responses frequency or time domain of the system on the base of previously established mathematical model repeated modification of the adopted diagram changing its structure or element values in case when it does not satisfy the adopted requirements preparation of design and technological documentation manufacturing of model prototype series according to the prepared documentation testing the prototype under the aspect of its electric properties mechanical durability and sensitivity to environment conditions modification of prototype documentation if necessary and handing over the documentation to series production The most important stages of the process under discussion are illustrated in Fig I 1 xi xii Introduction Fig I

Numerical Methods for Energy Applications Naser Mahdavi Tabatabaei, Nicu Bizon, 2021-03-22 This book provides a thorough guide to the use of numerical methods in energy systems and applications It presents methods for analysing engineering applications for energy systems discussing finite difference finite element and other advanced numerical methods Solutions to technical problems relating the application of these methods to energy systems are also thoroughly explored Readers will discover diverse perspectives of the contributing authors and extensive discussions of issues including a wide variety of numerical methods concepts and related energy systems applications systems equations and optimization partial differential equations and finite difference method methods for solving nonlinear equations special methods and their mathematical implementation in multi energy sources numerical investigations of electrochemical fields and devices and issues related to numerical approaches and optimal integration of energy consumption This is a highly informative and carefully presented book providing scientific and academic insight for readers with an interest in numerical methods and energy systems

invaders jack ritchie answers uniport edu ng - Dec 01 2021

web mar 2 2023 invaders jack ritchie answers 1 7 downloaded from uniport edu ng on march 2 2023 by guest invaders jack ritchie answers when somebody should go to the books stores search initiation by shop shelf by shelf it is in point of fact problematic this is why we present the ebook compilations in this website it will utterly ease you to

invaders jack ritchie answers rhur impacthub net - Nov 12 2022

web sep 5 2023 bookfreenow com download invaders jack ritchie answers april 27th 2018 we would like to show you a description here but the site won t allow us answer cut tv tropes april 29th 2018 the answer cut trope as used in popular culture when a character asks a question and the movie cuts pans or otherwise shifts to an image of the

analysis of the invaders by jack ritchie university of the - Jun 07 2022

web read pdf analysis of the invaders by jack ritchie gonzález jepsen in their dreams they catch glimpses of estrella s braids hear echoes of her voice and read old letters that eventually mysteriously stopped arriving they recall regimented school assemblies nationalistic class performances and a trip to the beach

invaders jack ritchie answers uniport edu ng - Aug 09 2022

web may 8 2023 merely said the invaders jack ritchie answers is universally compatible with any devices to read hiroshima john hersey 2019 06 05 on august 6 1945 hiroshima was destroyed by the first atom bomb ever dropped on a city this book john hersey s journalistic masterpiece tells what happened on that day

t1 sweep weibo gaming 3 0 to win the 2023 league of legends - Mar 04 2022

web nov 19 2023 after a long grind with league of legends lol season 2023 one team finally peaked at this year s world championship south korean juggernauts t1 have raised the summoner s cup after sweeping chinese powerhouse weibo gaming 3 0 in the grand finals on sunday 19 november at gocheok skydome in seoul south korea

the invaders by jack ritchie pdf free download docplayer - Aug 21 2023

web the conflict the narrator struggles with is a choosing whether to return with the invaders to their country b deciding which response to the invaders will be best for his people c sharing food with the invaders or hiding it from them d betraying his people by helping the invaders find what they want 5

invadersjackritchieanswers mymentalhealthrisk creighton - May 06 2022

web invadersjackritchieanswers 1 3 downloaded from mymentalhealthrisk creighton edu on by guest

invadersjackritchieanswers getting the books invadersjackritchieanswers now is not type of challenging means

invaders jack ritchie answers pdf pdf helpdesk - Jul 08 2022

web sep 22 2023 enjoy now is invaders jack ritchie answers pdf pdf below routes and roots elizabeth deloughrey 2009 12 31 elizabeth deloughrey invokes the cyclical model of the continual movement and rhythm of the ocean tidalectics to destabilize the national ethnic and even regional frameworks that have been the mainstays of literary study

anticipation guide the invaders by jack ritchie tpt - Jul 20 2023

web anticipation guide the invaders by jack ritchie grade levels 6th 9th subjects reading short stories reading strategies resource type activities formats included

read book invaders jack ritchie answers pdf for free - Feb 15 2023

web jan 23 2023 invaders jack ritchie answers can be taken as well as picked to act getting the books invaders jack ritchie answers now is not type of inspiring means you could not deserted going taking into consideration ebook hoard or library or borrowing from your friends to entre them this is an totally simple means to specifically acquire

invaders jack ritchie answers uniport edu ng - Feb 03 2022

web invaders jack ritchie answers 1 7 downloaded from uniport edu ng on june 30 2023 by guest invaders jack ritchie answers thank you definitely much for downloading invaders jack ritchie answers maybe you have knowledge that people have look numerous period for their favorite books taking into consideration this invaders

invaders jack ritchie answers uniport edu ng - Oct 11 2022

web jul 15 2023 invaders jack ritchie answers 2 8 downloaded from uniport edu ng on july 15 2023 by guest postcolonial readers in an age of transnational migrations paul sharrad university of wollongong australia routes and roots is the first comparative study of caribbean and pacific island literatures and the first work to

invaders jack ritchie answers - Jan 02 2022

web ray discs with audio description ideadiez com the of and to a in that is was he for it with as his on be was james daly gay answers com answer cut tv tropes kulture pig s girlie man of the week welcome to the bookfreenow com download invaders jack ritchie answers browse by author t project gutenber

the invaders by jack ritchie none of them left the ship on the - May 18 2023

web sep 15 2020 answered the invaders by jack ritchie none of them left the ship on the first day of its arrival but i knew they would be watching carefully for signs of human life the skies were dark with swiftly moving clouds and the cold wind moved high in the trees thin snow drifted slowly to the ground

the invaders jack ritchie quizizz - Oct 23 2023

web the invaders jack ritchie quiz for 7th grade students find other quizzes for english and more on quizizz for free

invaders jack ritchie answers cyberlab sutd edu sg - Apr 05 2022

web it answers nearly 900 commonly asked questions and offers fun facts about american its history and people including what was the lost colony who were the robber

the invaders by talal al warraq by talal al warraq prezi - Apr 17 2023

web apr 29 2013 show full text the invaders by jack ritchie the authors attitude the author creates a dark and scary atmosphere by describing the forest where he is hiding the skies were dark with scudding clouds and the cold wind moved high in the trees the narrator is able to hide himself in the edge

invaders the by jack ritchie goodreads - Jun 19 2023

web as jack ritchie s son steven has noted this is what made sternig a great literary agent however it was to alfred hitchcock s mystery magazine that ritchie sold more stories to than any other periodical

invaders jack ritchie answers - Dec 13 2022

web invaders jack ritchie answers invaders jack ritchie answers volcanoes and volcanology geology law amp order season 16 wikipedia 2015 dvds and blu ray discs with audio description was james daly gay answers com thecomicbooks com jamie coville s mp3 files answer cut tv tropes answer cut tv tropes the of and to a in

read book invaders jack ritchie answers pdf for free - Mar 16 2023

web feb 22 2023 invaders jack ritchie answers as you may know people have search numerous times for their favorite

novels like this invaders jack ritchie answers but end up in infectious downloads rather than enjoying a good book with a cup of coffee in the afternoon instead they juggled with some malicious bugs inside their desktop computer

get the free the invaders jack ritchie form pdffiller - Sep 10 2022

web fill the invaders jack ritchie edit online sign fax and printable from pc ipad tablet or mobile with pdffiller instantly try now

invaders jack ritchie answers - Jan 14 2023

web bookfreenow com download invaders jack ritchie answers volcanoes and volcanology geology on the psychology of military incompetence kulture pig s girlie man of the week welcome to the april 28th 2018 look up in the sky it s a man no it s a girl wait it is a man that acts like a girl it could only be was james daly gay answers com

directions the invaders 7th grade global studies - Sep 22 2023

web assessment practice directions read the selections and answer the questions that follow the invaders by jack ritchie none of them left the ship on the first day of its arrival but i knew that they would be watching carefully for signs of human life the skies were dark with scudding clouds and the cold wind moved high in the trees

la enfermedad infantil del izquierdismo en el - Feb 09 2023

web titulado la enfermedad infantil del izquierdismo en el comunismo es una excelente obra sobre tácticas políticas que los socialistas centroamericanos debemos aprehender y desarrollar hasta lograr cambiar

la enfermedad infantil del izquierdismo en el - Nov 06 2022

web sinopsis de la enfermedad infantil del izquierdismo en el comunismo es uno de los textos programáticos más importantes de lenin cuyo objetivo fue dar a conocer el método y la táctica seguida por los marxistas rusos para ganar el apoyo mayoritario de los trabajadores y del campesinado para lograr que la revolución finalmente triunfase

la enfermedad infantil del izquierdismo en el comunismo de v - Oct 05 2022

web la enfermedad infantil del izquierdismo en el comunismo de v i lenin lenin escribió este texto en 1920 con el objetivo de dar a conocer en mayor detalle cuál había sido el método y la táctica seguida durante décadas por los marxistas rusos para ganar el apoyo mayoritario de los trabajadores y del campesinado pobre y lograr que

la enfermedad infantil del izquierdismo en el comunismo - Jul 14 2023

web 1 el libro la enfermedad infantil del izquierdismo en el comunismo fue escrito por lenin en abril de 1920 y el apéndice el 12 de mayo del mismo año fue publicado el 8 10 de junio en ruso y casi al mismo tiempo en julio en alemán francés e inglés lenin controló personalmente los plazos de composición e impre

[la enfermedad infantil del izquierdismo en el](#) - Dec 27 2021

web el ebook la enfermedad infantil del izquierdismo en el comunismo ebook del autor vladimir ilich lenin en pdf al mejor

precio en casa del libro

la enfermedad infantil del izquierdismo en el comunismo - Jan 08 2023

web la enfermedad infantil del izquierdismo en el comunismo vladimir lenin 2017 11 15 lenin escribi el libro la enfermedad infantil del izquierdismo en el comunismo para la inauguraci n del ii congreso de la internacional comunista lenin trabaj en l principalmente en abril de 1920 y atendi personalmente al proceso

la enfermedad infantil del izquierdismo en el comunismo - May 12 2023

web consiste no sólo en la fuerza del capital internacional en la fuerza y la solidez de las relaciones internacionales de la burguesía sino además en la fuerza de la costumbre en la fuerza de la pequeña producción pues por desgracia ha quedado todavía en el mundo mucha y mucha pequeña producción y ésta engendra al capitalismo

la enfermedad infantil del izquierdismo en el comunismo - Jul 02 2022

web la enfermedad infantil del izquierdismo en el comunismo ebook lenin vladimir ilich amazon com mx tienda kindle

la enfermedad infantil del izquierdismo en el comunismo - Apr 11 2023

web apr 15 2020 la enfermedad infantil del izquierdismo en el comunismo audio item preview la enfermedad infantil del izquierdismo en el comunismo by lenin topics lenin comunismo socialismo language spanish críticas de lenin a ciertas desviaciones políticas de camaradas alemanes e ingleses

100 años de el izquierdismo enfermedad infantil del comunismo - Mar 10 2023

web nov 12 2020 la crisis del capitalismo consecuencia desastrosa de las políticas aplicadas tanto por la derecha como por la izquierda desde los años ochenta conduce a un número creciente de gentes a interesarse de nuevo por las ideas de karl marx y en particular por su crítica de la economía política

la enfermedad infantil del izquierdismo en el comunismo - Sep 04 2022

web la enfermedad infantil del izquierdismo en el comunismo edition unavailable ediciones akal perlego com book 2989305

la enfermedad infantil del izquierdismo en el comunismo pdf

la enfermedad infantil del izquierdismo en el comunismo - Dec 07 2022

web la enfermedad infantil del izquierdismo en el comunismo lenin vladimir ilich amazon com tr kitap

la enfermedad infantil del izquierdismo en el comunismo - Jun 13 2023

web la enfermedad infantil del izquierdismo en el comunismo es una de las obras más importantes del marxismo en muchos sentidos es la mejor obra de lenin ya que representa un resumen de toda la experiencia histórica del bolchevismo cualquiera que desee entender la esencia del método de lenin debería estudiar detenidamente estas

la enfermedad infantil del izquierdismo en el comunismo - Aug 03 2022

web amazon com la enfermedad infantil del izquierdismo en el comunismo spanish edition ebook lenin vladimir tienda kindle

el izquierdismo enfermedad infantil del comunismo un libro - Jan 28 2022

web dec 21 2010 escrito por daniel prólogo al el izquierdismo enfermedad infantil en el comunismo un libro que ha hecho mella en la acción política argentina y por cuyas sendas nos queda mucho por recorrer prosiguiendo el trabajo de recuperar la experiencia del movimiento obrero y revolucionario y los avances de las ciencias de la historia y la

la enfermedad infantil del izquierdismo en el comunismo - Jun 01 2022

web la enfermedad infantil del izquierdismo en el comunismo lenin v i amazon com mx libros

la enfermedad infantil del izquierdismo en el comunismo overdrive - Mar 30 2022

web mar 13 2014 las ocho colecciones de clásicos en español de la literatura y el pensamiento universal de el cid editor suman miles de títulos de los autores más importantes de todos los tiempos editados en el primer tercio del siglo xx están presentes las grandes figuras de la literatura y la filosofía de la antigüedad

la enfermedad infantil del izquierdismo en el comunismo - Aug 15 2023

web la enfermedad infantil del izquierdismo en el comunis mo es una de las obras más importantes del marxismo en muchos sentidos es la mejor obra de lenin ya que representa un resumen de toda la experiencia histórica del bolchevismo cualquiera que desee entender la esencia del método de lenin debería estudiar detenidamente es tas

la enfermedad infantil del izquierdismo en el comunismo de lenin - Feb 26 2022

web la enfermedad infantil del izquierdismo en el comunismo de lenin v i y una gran selección de libros arte y artículos de colección disponible en iberlibro com

la enfermedad infantil del izquierdismo en el com v i lenin - Apr 30 2022

web la enfermedad infantil del izquierdismo en el comunismo vladimir ilich lenin 2017 11 21 lenin escribi el libro la enfermedad infantil del izquierdismo en el comunismo para la inauguraci n del ii congreso de la internacional comunista lenin trabaj en l principalmente en abril de 1920 y atendi personalmente al proceso

mount rushmore national memorial english lernen online - May 12 2023

web mount rushmore represents the largest work of art on earth each face is 60 feet high compared to the head on the statue of liberty which is only 17 feet tall amazingly there were no deaths and only a couple of injuries during the

where is mount rushmore lingua inglese uniport edu - Sep 04 2022

web aug 14 2023 mount rushmore lingua inglese as you such as by searching the title publisher or authors of guide you in point of fact want you can discover them rapidly in the house workplace or perhaps in your method can be every best area within net connections if you direct to download and install the where is mount rushmore lingua inglese it is

where is mount rushmore lingua inglese by true kelley john - Feb 09 2023

web rushmore keystone north dakota wikitravel traduzione mount rushmore italiano dizionario inglese mount rushmore

hotels holiday inn express amp suites mt it in their own words recollections of an earlier 15 fantastiche immagini su arbor day shel silverstein i i s s bandini describing people esl printable worksheets and exercises holiday

where is mount rushmore lingua inglese pdf massimo - Mar 10 2023

web mount rushmore lingua inglese pdf furthermore it is not directly done you could take on even more in the region of this life in the region of the world we find the money for you this proper as well as easy quirk to acquire those all we allow where is mount rushmore lingua inglese pdf and numerous books

where is mount rushmore lingua inglese 2022 old talentsprint - Nov 06 2022

web chief carver on mount rushmore his young life is instantly changed follow lou s journey as he and his uncle caesar make the painful discovery that luigi is not even mentioned in the most definitive book on rushmore cheer them on as you read the historic documents they unearth from the library of congress that

mount rushmore simple english wikipedia the free encyclopedia - Aug 15 2023

web mount rushmore is a famous mountain and memorial near keystone south dakota in the united states it has the heads of four of america s presidents carved on it george washington thomas jefferson theodore roosevelt and abraham lincoln 1

where is mount rushmore lingua inglese felix frankfurter copy - Jan 08 2023

web mt rushmore there s no time to take a helicopter ride for a close up view the hot air balloon races are about to start whisked up and away at the races a surprised george gets a close up view of the presidents after all nel condominio di carne valerio magrelli 2003 frommer s national parks of the american west don laine 2010 05 03

where is mount rushmore lingua inglese by true kelley john - Aug 03 2022

web sep 5 2023 wikitravel lingua inglese programma d esame mount rushmore simple english the free incipit letterari cj cz the latin word quattuor choralnet mount rushmore in inglese con linguaggio facile di terza mount rushmore a mouthwatering traduzione inglese bear country usa tripadvisor it mount dizionario inglese italiano wordreference

whereismountrushmorelinguainglese apps newfounding - Apr 30 2022

web mount rushmore larousse mini dizionario italiano inglese inglese italiano george washington dizionario del pendolo di foucault congressional record interchange third edition is a four level series for adult and young adult learners of english from the beginning to the high intermediate level the full

where is mount rushmore lingua inglese 2022 - Jan 28 2022

web you to see guide where is mount rushmore lingua inglese as you such as by searching the title publisher or authors of guide you really want you can discover them rapidly in the house workplace or perhaps in your method can

mount rushmore worldatlas - Jul 02 2022

web aug 11 2021 mount rushmore mount rushmore is situated in the black hills region in the keystone town of south dakota

united states the mount rushmore national memorial hosts the colossal granite rock sculptures of the four famous us presidents that were carved in the southeastern face of mount rushmore often referred to as the

where is mount rushmore lingua inglese copertina flessibile - Jun 13 2023

web where is mount rushmore lingua inglese kelley true who hq hinderliter john amazon it libri
mount rushmore definition meaning dictionary com - Jun 01 2022

web rushmore 1 mount a peak in the black hills of south dakota that is a memorial mount rushmore national memorial having 60 foot 18 meter busts of washington jefferson lincoln and theodore roosevelt carved into its face between 1927 and 1941 from a design by and under the direction of gutzon borglum 5600 feet 1707 meters

where is mount rushmore lingua inglese by true kelley john - Feb 26 2022

web where is mount rushmore lingua inglese by true kelley john hinderliter collector s originality guide pontiac gto 1964 1974 mount dizionario inglese italiano wordreference bear country usa tripadvisor it italian americans mount rushmore in inglese con linguaggio facile di terza 43 best villages de france

where is mount rushmore lingua inglese wrbb neu - Dec 07 2022

web 2 where is mount rushmore lingua inglese 2022 09 28 delle due tribù i crow e i lakota anticamente nemiche viene rapita da una spiritualità profonda a favore dell ambiente e del pianeta e da una cultura all insegna del rispetto e dell uguaglianza per i lakota i problemi non sono solo i trattati mai rispettati dal

where is mount rushmore lingua inglese domainlookup - Oct 05 2022

web mar 27 2023 where is mount rushmore lingua inglese yeah reviewing a books where is mount rushmore lingua inglese could be credited with your near connections listings this is just one of the solutions for you to be successful as understood feat does not recommend that you have fantastic points

where is mount rushmore lingua inglese by true kelley john - Dec 27 2021

web mount rushmore is a major tourist attraction for south dakota it has become a symbol of patriotism and pride for many americans but people from all over the world travel to marvel at it

mount rushmore in inglese con linguaggio facile di terza media - Apr 11 2023

web salva mount rushmore is a famous mountain and memorial near keystone south dakota in the united states it has the heads of four of america s presidents carved on it george washington thomas

where is mount rushmore lingua inglese by true kelley john - Mar 30 2022

web pons 43 best villages de france images france places house native web services mount rushmore simple english the free traduzione mount rushmore italiano dizionario inglese it in their own words recollections of an earlier wonders of the world ediz illustrata lingua inglese incipit letterari cj cz yak ridge cabins and farmstead by mount

mount rushmore wikipedia - Jul 14 2023

web mount rushmore coordinates 43 52 44 n 103 27 35 w the mount rushmore national memorial is a national memorial centered on a colossal sculpture carved into the granite face of mount rushmore lakota t̥h̥uŋkášila Šákpe or six grandfathers in the black hills near keystone south dakota united states

When somebody should go to the book stores, search establishment by shop, shelf by shelf, it is essentially problematic. This is why we offer the ebook compilations in this website. It will agreed ease you to look guide **Electrical Engineering Numerical Problems Solutions** as you such as.

By searching the title, publisher, or authors of guide you really want, you can discover them rapidly. In the house, workplace, or perhaps in your method can be all best area within net connections. If you mean to download and install the Electrical Engineering Numerical Problems Solutions, it is utterly easy then, before currently we extend the join to purchase and create bargains to download and install Electrical Engineering Numerical Problems Solutions so simple!

https://offsite.creighton.edu/files/virtual-library/Documents/mentzer_workout_plan.pdf

https://offsite.creighton.edu/files/virtual-library/Documents/mitsubishi_heat_pump_clearance_requirements.pdf

https://offsite.creighton.edu/files/virtual-library/Documents/mike_hammer_movie.pdf

Table of Contents Electrical Engineering Numerical Problems Solutions

1. Understanding the eBook Electrical Engineering Numerical Problems Solutions
 - The Rise of Digital Reading Electrical Engineering Numerical Problems Solutions
 - Advantages of eBooks Over Traditional Books
2. Identifying Electrical Engineering Numerical Problems Solutions
 - Exploring Different Genres
 - Considering Fiction vs. Non-Fiction
 - Determining Your Reading Goals
3. Choosing the Right eBook Platform
 - Popular eBook Platforms

- Features to Look for in an Electrical Engineering Numerical Problems Solutions
- User-Friendly Interface
- 4. Exploring eBook Recommendations from Electrical Engineering Numerical Problems Solutions
 - Personalized Recommendations
 - Electrical Engineering Numerical Problems Solutions User Reviews and Ratings
 - Electrical Engineering Numerical Problems Solutions and Bestseller Lists
- 5. Accessing Electrical Engineering Numerical Problems Solutions Free and Paid eBooks
 - Electrical Engineering Numerical Problems Solutions Public Domain eBooks
 - Electrical Engineering Numerical Problems Solutions eBook Subscription Services
 - Electrical Engineering Numerical Problems Solutions Budget-Friendly Options
- 6. Navigating Electrical Engineering Numerical Problems Solutions eBook Formats
 - ePub, PDF, MOBI, and More
 - Electrical Engineering Numerical Problems Solutions Compatibility with Devices
 - Electrical Engineering Numerical Problems Solutions Enhanced eBook Features
- 7. Enhancing Your Reading Experience
 - Adjustable Fonts and Text Sizes of Electrical Engineering Numerical Problems Solutions
 - Highlighting and Note-Taking Electrical Engineering Numerical Problems Solutions
 - Interactive Elements Electrical Engineering Numerical Problems Solutions
- 8. Staying Engaged with Electrical Engineering Numerical Problems Solutions
 - Joining Online Reading Communities
 - Participating in Virtual Book Clubs
 - Following Authors and Publishers Electrical Engineering Numerical Problems Solutions
- 9. Balancing eBooks and Physical Books Electrical Engineering Numerical Problems Solutions
 - Benefits of a Digital Library
 - Creating a Diverse Reading Collection Electrical Engineering Numerical Problems Solutions
- 10. Overcoming Reading Challenges
 - Dealing with Digital Eye Strain
 - Minimizing Distractions
 - Managing Screen Time
- 11. Cultivating a Reading Routine Electrical Engineering Numerical Problems Solutions

- Setting Reading Goals Electrical Engineering Numerical Problems Solutions
- Carving Out Dedicated Reading Time
- 12. Sourcing Reliable Information of Electrical Engineering Numerical Problems Solutions
 - Fact-Checking eBook Content of Electrical Engineering Numerical Problems Solutions
 - Distinguishing Credible Sources
- 13. Promoting Lifelong Learning
 - Utilizing eBooks for Skill Development
 - Exploring Educational eBooks
- 14. Embracing eBook Trends
 - Integration of Multimedia Elements
 - Interactive and Gamified eBooks

Electrical Engineering Numerical Problems Solutions Introduction

In today's digital age, the availability of Electrical Engineering Numerical Problems Solutions books and manuals for download has revolutionized the way we access information. Gone are the days of physically flipping through pages and carrying heavy textbooks or manuals. With just a few clicks, we can now access a wealth of knowledge from the comfort of our own homes or on the go. This article will explore the advantages of Electrical Engineering Numerical Problems Solutions books and manuals for download, along with some popular platforms that offer these resources. One of the significant advantages of Electrical Engineering Numerical Problems Solutions books and manuals for download is the cost-saving aspect. Traditional books and manuals can be costly, especially if you need to purchase several of them for educational or professional purposes. By accessing Electrical Engineering Numerical Problems Solutions versions, you eliminate the need to spend money on physical copies. This not only saves you money but also reduces the environmental impact associated with book production and transportation. Furthermore, Electrical Engineering Numerical Problems Solutions books and manuals for download are incredibly convenient. With just a computer or smartphone and an internet connection, you can access a vast library of resources on any subject imaginable. Whether you're a student looking for textbooks, a professional seeking industry-specific manuals, or someone interested in self-improvement, these digital resources provide an efficient and accessible means of acquiring knowledge. Moreover, PDF books and manuals offer a range of benefits compared to other digital formats. PDF files are designed to retain their formatting regardless of the device used to open them. This ensures that the content appears exactly as intended by the author, with no loss of formatting or missing graphics. Additionally, PDF files can be easily annotated, bookmarked, and searched for specific terms, making them highly practical for studying or

referencing. When it comes to accessing Electrical Engineering Numerical Problems Solutions books and manuals, several platforms offer an extensive collection of resources. One such platform is Project Gutenberg, a nonprofit organization that provides over 60,000 free eBooks. These books are primarily in the public domain, meaning they can be freely distributed and downloaded. Project Gutenberg offers a wide range of classic literature, making it an excellent resource for literature enthusiasts. Another popular platform for Electrical Engineering Numerical Problems Solutions books and manuals is Open Library. Open Library is an initiative of the Internet Archive, a non-profit organization dedicated to digitizing cultural artifacts and making them accessible to the public. Open Library hosts millions of books, including both public domain works and contemporary titles. It also allows users to borrow digital copies of certain books for a limited period, similar to a library lending system. Additionally, many universities and educational institutions have their own digital libraries that provide free access to PDF books and manuals. These libraries often offer academic texts, research papers, and technical manuals, making them invaluable resources for students and researchers. Some notable examples include MIT OpenCourseWare, which offers free access to course materials from the Massachusetts Institute of Technology, and the Digital Public Library of America, which provides a vast collection of digitized books and historical documents. In conclusion, Electrical Engineering Numerical Problems Solutions books and manuals for download have transformed the way we access information. They provide a cost-effective and convenient means of acquiring knowledge, offering the ability to access a vast library of resources at our fingertips. With platforms like Project Gutenberg, Open Library, and various digital libraries offered by educational institutions, we have access to an ever-expanding collection of books and manuals. Whether for educational, professional, or personal purposes, these digital resources serve as valuable tools for continuous learning and self-improvement. So why not take advantage of the vast world of Electrical Engineering Numerical Problems Solutions books and manuals for download and embark on your journey of knowledge?

FAQs About Electrical Engineering Numerical Problems Solutions Books

1. Where can I buy Electrical Engineering Numerical Problems Solutions books? Bookstores: Physical bookstores like Barnes & Noble, Waterstones, and independent local stores. Online Retailers: Amazon, Book Depository, and various online bookstores offer a wide range of books in physical and digital formats.
2. What are the different book formats available? Hardcover: Sturdy and durable, usually more expensive. Paperback: Cheaper, lighter, and more portable than hardcovers. E-books: Digital books available for e-readers like Kindle or software like Apple Books, Kindle, and Google Play Books.

3. How do I choose a Electrical Engineering Numerical Problems Solutions book to read? Genres: Consider the genre you enjoy (fiction, non-fiction, mystery, sci-fi, etc.). Recommendations: Ask friends, join book clubs, or explore online reviews and recommendations. Author: If you like a particular author, you might enjoy more of their work.
4. How do I take care of Electrical Engineering Numerical Problems Solutions books? Storage: Keep them away from direct sunlight and in a dry environment. Handling: Avoid folding pages, use bookmarks, and handle them with clean hands. Cleaning: Gently dust the covers and pages occasionally.
5. Can I borrow books without buying them? Public Libraries: Local libraries offer a wide range of books for borrowing. Book Swaps: Community book exchanges or online platforms where people exchange books.
6. How can I track my reading progress or manage my book collection? Book Tracking Apps: Goodreads, LibraryThing, and Book Catalogue are popular apps for tracking your reading progress and managing book collections. Spreadsheets: You can create your own spreadsheet to track books read, ratings, and other details.
7. What are Electrical Engineering Numerical Problems Solutions audiobooks, and where can I find them? Audiobooks: Audio recordings of books, perfect for listening while commuting or multitasking. Platforms: Audible, LibriVox, and Google Play Books offer a wide selection of audiobooks.
8. How do I support authors or the book industry? Buy Books: Purchase books from authors or independent bookstores. Reviews: Leave reviews on platforms like Goodreads or Amazon. Promotion: Share your favorite books on social media or recommend them to friends.
9. Are there book clubs or reading communities I can join? Local Clubs: Check for local book clubs in libraries or community centers. Online Communities: Platforms like Goodreads have virtual book clubs and discussion groups.
10. Can I read Electrical Engineering Numerical Problems Solutions books for free? Public Domain Books: Many classic books are available for free as they're in the public domain. Free E-books: Some websites offer free e-books legally, like Project Gutenberg or Open Library.

Find Electrical Engineering Numerical Problems Solutions :

mentzer workout plan

[mitsubishi heat pump clearance requirements](#)

[mike hammer movie](#)

michael myers psychology

mid-year review format

[michelle-obama's hobbies](#)

[mixed practice with angles](#)

[mindfulness grounding techniques pdf](#)

[mental maths secrets](#)

[mixed up chameleon](#)

[mirage factory book](#)

[micro macrame jewelry](#)

[middle school science jeopardy](#)

[mixed multiplication and division worksheets](#)

[mercy otis warren contributions to the american revolution](#)

Electrical Engineering Numerical Problems Solutions :