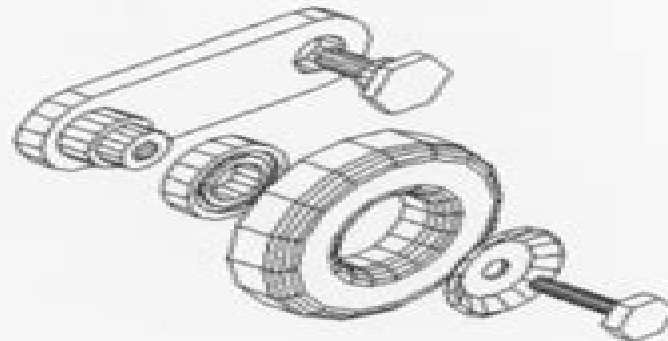
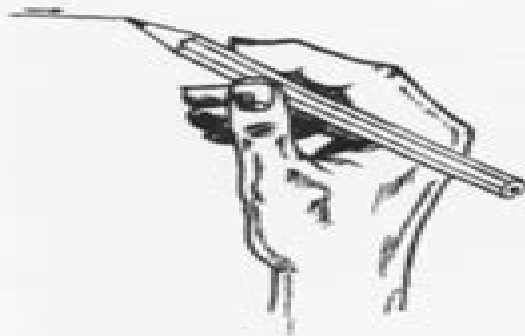


Engineering Graphics Workbook

By
Jerry W. Craig and Orval B. Craig



Series 1

Schroff Development Corporation

Engineering Graphics Workbook Solutions

**James M. Leake, Molly Hathaway
Goldstein, Jacob L. Borgerson**



Engineering Graphics Workbook Solutions

Engineering Graphics Workbook Alfred S. Gaskell,1970

Solutions Manual for Drawing Workbook for Engineering Drawing and Design, Fifth Edition, and Drawing Workbook for Fundamentals of Engineering Drawing, Fourth Edition Cecil Howard Jensen,Jay D. Helsel,1997

Solutions Manual for Drawing Workbook for Engineering Drawing and Design and Drawing Workbook for Fundamentals of Engineering Drawing Cecil Howard Jensen,Jay D. Helsel,2002

Engineering Graphics and Design Dr. T Jeyapoovan, This is a completely revised book in line with Outcome Based Education OBE that is currently being followed by most universities Also the engineering drawings in the book have been prepared using the latest version of AutoCAD The book has all the assessment tools like assessment exercise short answer questions with answers fill in the blanks and multiple choice questions MCQs A special feature of this book is that free downloads of i additional learning material ii PowerPoint presentations and iii video lectures are available on the author s website www.EGlive.in

Solutions Manual to Accompany Workbookii Series a Graphics in Engineering Design A. S. Levens,F. H. Schneider,1980-06-18

Engineering Design Graphics James M. Leake,Molly Hathaway Goldstein,Jacob L. Borgerson,2022-04-05 The most accessible and practical roadmap to visualizing engineering projects In the newly revised Third Edition of Engineering Design Graphics Sketching Modeling and Visualization renowned engineering graphics expert James Leake delivers an intuitive and accessible guide to bringing engineering concepts and projects to visual life Including updated coverage of everything from freehand sketching to solid modeling in CAD the author comprehensively discusses the tools and skills you ll need to sketch draw model document design manufacture or simulate a project

Engineering Graphics Essentials with AutoCAD 2021 Instruction Kirstie Plantenberg,2020-07 Engineering Graphics Essentials with AutoCAD 2021 Instruction gives students a basic understanding of how to create and read engineering drawings by presenting principles in a logical and easy to understand manner It covers the main topics of engineering graphics including tolerancing and fasteners while also teaching students the fundamentals of AutoCAD 2021 This book features independent learning material containing supplemental content to further reinforce these principles Through its many different exercises this text is designed to encourage students to interact with the instructor during lectures and it will give students a superior understanding of engineering graphics and AutoCAD The independent learning material allows students to go through the topics of the book independently The main content of the material contains pages that summarize the topics covered in the book Each page has voice over content that simulates a lecture environment There are also interactive examples that allow students to go through the instructor led and in class student exercises found in the book on their own Video examples are also included to supplement the learning process Multimedia Content Summary pages with audio lectures Interactive exercises and puzzles Videos demonstrating how to solve selected problems AutoCAD video tutorials Supplemental problems and solutions Tutorial starter files Each chapter contains these types of exercises Instructor led in class exercises Students complete these exercises in class using information presented by the instructor using the PowerPoint slides included in the instructor files In class student exercises These are exercises that students complete in class using the principles presented in the lecture Video Exercises These exercises are found in the text and correspond to videos found in the independent learning material In the videos the author shows how to complete the exercise as well as other possible solutions and common mistakes to avoid Interactive Exercises These exercises are found in the independent learning material and allow students to test what they ve learned and instantly see the results End of chapter problems These problems allow students to apply the principles presented in the book All exercises are on perforated pages that can be handed in as assignments Review Questions The review questions are meant to encourage students to recall and consider the content found in the text by having them formulate descriptive answers to these questions Crossword Puzzles Each chapter features a short crossword puzzle that emphasizes important terms phrases concepts and symbols found in the text

Engineering Graphics Workbook Jerry W. Craig,1994

Practical Drafting Melvin G. Peterman,1999-01

Solutions to Problems in Engineering Drawing Albert William Boundy,Harold Greer,1974

Solutions Manual to Accompany Workbook 3 Series a Graphics in Engineering Design Levens,1980-11-01

Engineering Graphics and Design Engineering Graphics and Design, This book covers complete syllabus of Engineering Graphics and Design along with AUTOCAD catering requirements of B Tech in Engineering The book is in easy to understand simple English It provides step by step solutions to problems along with suitable example and proper drawings Using AutoCAD and Solid Work All chapter make learning easy with unique features such as Summary Solved examples and Practice Problems Chapters have been organised to present data in concise format with suitable tables diagrams drawings and illustration

Engineering Graphics A. M. Chandra,Satish Chandra,2003 This text aims to explain the principles and construction of engineering graphics in an elementary manner It covers drawing instruments lettering and dimensioning geometrical construction isometric projections and computer aided drafting

Engineering Graphics Using Autocad, 7th Edition Jeyapoovan T., The book has all the assessment tools like assessment exercise short questions with answers fill in the blanks and multiple choice questions MCQ

Engineering Drawing Kenneth Ronald Hart,1975

Engineering Graphics Essentials with AutoCAD 2012 Instruction Kirstie Plantenberg,2011-06-20 Engineering Graphics Essentials with AutoCAD 2012 Instruction gives students a basic understanding of how to create and read engineering drawings by presenting principles in a logical and easy to understand manner It covers the main topics of engineering graphics including tolerancing and fasteners while also teaching them the fundamentals of AutoCAD 2012 This book features an independent learning CD containing supplemental content to further reinforce these principles Through its many different exercises this text is designed to encourage students to interact with the instructor during lectures and it will give students a superior understanding of engineering graphics and AutoCAD The enclosed independent learning CD allows the learner to go through the topics of the book independently The main content of the CD contains pages that summarize the topics covered in the book Each page has voice over content that simulates a lecture environment There are also interactive examples that allow the learner to go through the instructor led and in class student exercises found in the book on their own Video examples are also included to supplement the learning process Each chapter contains these types of exercises Instructor led in class exercises Students complete these exercises in class using information presented by the instructor using the PowerPoint slides on the instructor CD In class student exercises These are exercises that students complete in class using the principles presented in the lecture Video Exercises These exercises are found in the text and correspond to videos found on the CD In the videos the author shows how to complete the exercise as well as other possible solutions and common mistakes to avoid Interactive Exercises These exercises are found on the CD and allow students to test what they ve learned and instantly see the results End of chapter problems These problems allow students to apply the principles presented in the book All exercises are on perforated pages that can be handed in as assignments Review Questions The review questions are meant to encourage students to recall and consider the content found in the text by having them formulate descriptive answers to these questions Crossword Puzzles Each chapter features a short crossword puzzle that emphasizes important terms phrases concepts and symbols found in the text

ENGINEERING GRAPHICS WITH AUTOCAD D. M. KULKARNI,A. P. RASTOGI,A. K. SARKAR,2009-04-13 Designed as a text for the undergraduate students of all branches of engineering this compendium gives an opportunity to learn and apply the popular drafting software AutoCAD in designing projects The textbook is organized in three comprehensive parts Part I AutoCAD deals with the basic commands of AutoCAD a popular drafting software used by engineers and architects Part II Projection Techniques contains various projection techniques used in engineering for technical drawings These techniques have been explained with a number of line diagrams to make them simple to the students Part III Descriptive Geometry mainly deals with 3 D objects that require imagination The accompanying CD contains the animations using creative multimedia and PowerPoint presentations for all chapters In a nutshell this textbook will help students maintain their cutting edge in the professional job market KEY FEATURES Explains fundamentals of imagination skill in generic and basic forms to crystallize concepts Includes chapters on aspects of technical drawing and AutoCAD as a tool Treats problems in the third angle as well as first angle methods of projection in line with the revised code of Indian Standard Code of Practice for General Drawing

Engineering Graphics William Perkins Spence,1985

Engineering Graphics Essentials Kirstie Plantenberg, 2010-03 Engineering Graphics Essentials Fourth Edition gives students a basic understanding of how to create and read engineering drawings by presenting principles in a logical and easy to understand manner It covers the main topics of engineering graphics including tolerancing and fasteners This book also features an independent learning DVD containing supplemental content to further reinforce these principles Through its many different exercises this text is designed to encourage students to interact with the instructor during lectures and it will give students a superior understanding of engineering graphics The enclosed independent learning DVD allows the learner to go through the topics of the book independently The main content of the DVD contains pages that summarize the topics covered in the book Each page has voice over content that simulates a lecture environment There are also interactive examples that allow the learner to go through the instructor led and in class student exercises found in the book on their own Video examples are also included to supplement the learning process DVD Content Summary pages with voice over lecture content Interactive exercises Video examples Supplemental problem solutions

Teacher's Manual and Solutions to Accompany Engineering Drawing and Graphic Technology 12th Ed., Fundamentals of Engineering Drawing and Graphic Technology 4th Ed. [and] Problem Workbook Charles J. Vierck, Richard I. Hang, 1978

Reviewing **Engineering Graphics Workbook Solutions**: Unlocking the Spellbinding Force of Linguistics

In a fast-paced world fueled by information and interconnectivity, the spellbinding force of linguistics has acquired newfound prominence. Its capacity to evoke emotions, stimulate contemplation, and stimulate metamorphosis is really astonishing. Within the pages of "**Engineering Graphics Workbook Solutions**," an enthralling opus penned by a highly acclaimed wordsmith, readers attempt an immersive expedition to unravel the intricate significance of language and its indelible imprint on our lives. Throughout this assessment, we shall delve to the book is central motifs, appraise its distinctive narrative style, and gauge its overarching influence on the minds of its readers.

https://offsite.creighton.edu/book/virtual-library/index.jsp/millennium_falcon_cross_section.pdf

<https://offsite.creighton.edu/book/virtual-library/index.jsp/metric%20conversion%20ladder.pdf>

https://offsite.creighton.edu/book/virtual-library/index.jsp/Microeconomics_Practice_Questions.pdf

Table of Contents Engineering Graphics Workbook Solutions

1. Understanding the eBook Engineering Graphics Workbook Solutions
 - The Rise of Digital Reading Engineering Graphics Workbook Solutions
 - Advantages of eBooks Over Traditional Books
2. Identifying Engineering Graphics Workbook Solutions
 - Exploring Different Genres
 - Considering Fiction vs. Non-Fiction
 - Determining Your Reading Goals
3. Choosing the Right eBook Platform
 - Popular eBook Platforms
 - Features to Look for in an Engineering Graphics Workbook Solutions
 - User-Friendly Interface
4. Exploring eBook Recommendations from Engineering Graphics Workbook Solutions
 - Personalized Recommendations
 - Engineering Graphics Workbook Solutions User Reviews and Ratings
 - Engineering Graphics Workbook Solutions and Bestseller Lists

5. Accessing Engineering Graphics Workbook Solutions Free and Paid eBooks
 - Engineering Graphics Workbook Solutions Public Domain eBooks
 - Engineering Graphics Workbook Solutions eBook Subscription Services
 - Engineering Graphics Workbook Solutions Budget-Friendly Options
6. Navigating Engineering Graphics Workbook Solutions eBook Formats
 - ePub, PDF, MOBI, and More
 - Engineering Graphics Workbook Solutions Compatibility with Devices
 - Engineering Graphics Workbook Solutions Enhanced eBook Features
7. Enhancing Your Reading Experience
 - Adjustable Fonts and Text Sizes of Engineering Graphics Workbook Solutions
 - Highlighting and Note-Taking Engineering Graphics Workbook Solutions
 - Interactive Elements Engineering Graphics Workbook Solutions
8. Staying Engaged with Engineering Graphics Workbook Solutions
 - Joining Online Reading Communities
 - Participating in Virtual Book Clubs
 - Following Authors and Publishers Engineering Graphics Workbook Solutions
9. Balancing eBooks and Physical Books Engineering Graphics Workbook Solutions
 - Benefits of a Digital Library
 - Creating a Diverse Reading Collection Engineering Graphics Workbook Solutions
10. Overcoming Reading Challenges
 - Dealing with Digital Eye Strain
 - Minimizing Distractions
 - Managing Screen Time
11. Cultivating a Reading Routine Engineering Graphics Workbook Solutions
 - Setting Reading Goals Engineering Graphics Workbook Solutions
 - Carving Out Dedicated Reading Time
12. Sourcing Reliable Information of Engineering Graphics Workbook Solutions
 - Fact-Checking eBook Content of Engineering Graphics Workbook Solutions
 - Distinguishing Credible Sources
13. Promoting Lifelong Learning

- Utilizing eBooks for Skill Development
 - Exploring Educational eBooks
14. Embracing eBook Trends
- Integration of Multimedia Elements
 - Interactive and Gamified eBooks

Engineering Graphics Workbook Solutions Introduction

In this digital age, the convenience of accessing information at our fingertips has become a necessity. Whether its research papers, eBooks, or user manuals, PDF files have become the preferred format for sharing and reading documents. However, the cost associated with purchasing PDF files can sometimes be a barrier for many individuals and organizations. Thankfully, there are numerous websites and platforms that allow users to download free PDF files legally. In this article, we will explore some of the best platforms to download free PDFs. One of the most popular platforms to download free PDF files is Project Gutenberg. This online library offers over 60,000 free eBooks that are in the public domain. From classic literature to historical documents, Project Gutenberg provides a wide range of PDF files that can be downloaded and enjoyed on various devices. The website is user-friendly and allows users to search for specific titles or browse through different categories. Another reliable platform for downloading Engineering Graphics Workbook Solutions free PDF files is Open Library. With its vast collection of over 1 million eBooks, Open Library has something for every reader. The website offers a seamless experience by providing options to borrow or download PDF files. Users simply need to create a free account to access this treasure trove of knowledge. Open Library also allows users to contribute by uploading and sharing their own PDF files, making it a collaborative platform for book enthusiasts. For those interested in academic resources, there are websites dedicated to providing free PDFs of research papers and scientific articles. One such website is Academia.edu, which allows researchers and scholars to share their work with a global audience. Users can download PDF files of research papers, theses, and dissertations covering a wide range of subjects. Academia.edu also provides a platform for discussions and networking within the academic community. When it comes to downloading Engineering Graphics Workbook Solutions free PDF files of magazines, brochures, and catalogs, Issuu is a popular choice. This digital publishing platform hosts a vast collection of publications from around the world. Users can search for specific titles or explore various categories and genres. Issuu offers a seamless reading experience with its user-friendly interface and allows users to download PDF files for offline reading. Apart from dedicated platforms, search engines also play a crucial role in finding free PDF files. Google, for instance, has an advanced search feature that allows users to filter results by file type. By specifying the file type as "PDF," users can find websites that offer free PDF downloads on a specific topic. While downloading Engineering Graphics

Workbook Solutions free PDF files is convenient, its important to note that copyright laws must be respected. Always ensure that the PDF files you download are legally available for free. Many authors and publishers voluntarily provide free PDF versions of their work, but its essential to be cautious and verify the authenticity of the source before downloading Engineering Graphics Workbook Solutions. In conclusion, the internet offers numerous platforms and websites that allow users to download free PDF files legally. Whether its classic literature, research papers, or magazines, there is something for everyone. The platforms mentioned in this article, such as Project Gutenberg, Open Library, Academia.edu, and Issuu, provide access to a vast collection of PDF files. However, users should always be cautious and verify the legality of the source before downloading Engineering Graphics Workbook Solutions any PDF files. With these platforms, the world of PDF downloads is just a click away.

FAQs About Engineering Graphics Workbook Solutions Books

How do I know which eBook platform is the best for me? Finding the best eBook platform depends on your reading preferences and device compatibility. Research different platforms, read user reviews, and explore their features before making a choice. Are free eBooks of good quality? Yes, many reputable platforms offer high-quality free eBooks, including classics and public domain works. However, make sure to verify the source to ensure the eBook credibility. Can I read eBooks without an eReader? Absolutely! Most eBook platforms offer webbased readers or mobile apps that allow you to read eBooks on your computer, tablet, or smartphone. How do I avoid digital eye strain while reading eBooks? To prevent digital eye strain, take regular breaks, adjust the font size and background color, and ensure proper lighting while reading eBooks. What the advantage of interactive eBooks? Interactive eBooks incorporate multimedia elements, quizzes, and activities, enhancing the reader engagement and providing a more immersive learning experience. Engineering Graphics Workbook Solutions is one of the best book in our library for free trial. We provide copy of Engineering Graphics Workbook Solutions in digital format, so the resources that you find are reliable. There are also many Ebooks of related with Engineering Graphics Workbook Solutions. Where to download Engineering Graphics Workbook Solutions online for free? Are you looking for Engineering Graphics Workbook Solutions PDF? This is definitely going to save you time and cash in something you should think about. If you trying to find then search around for online. Without a doubt there are numerous these available and many of them have the freedom. However without doubt you receive whatever you purchase. An alternate way to get ideas is always to check another Engineering Graphics Workbook Solutions. This method for see exactly what may be included and adopt these ideas to your book. This site will almost certainly help you save time and effort, money and stress. If you are looking for free books then you really should consider finding to assist you try this. Several of Engineering Graphics

Workbook Solutions are for sale to free while some are payable. If you are not sure if the books you would like to download works with for usage along with your computer, it is possible to download free trials. The free guides make it easy for someone to free access online library for download books to your device. You can get free download on free trial for lots of books categories. Our library is the biggest of these that have literally hundreds of thousands of different products categories represented. You will also see that there are specific sites catered to different product types or categories, brands or niches related with Engineering Graphics Workbook Solutions. So depending on what exactly you are searching, you will be able to choose e books to suit your own need. Need to access completely for Campbell Biology Seventh Edition book? Access Ebook without any digging. And by having access to our ebook online or by storing it on your computer, you have convenient answers with Engineering Graphics Workbook Solutions To get started finding Engineering Graphics Workbook Solutions, you are right to find our website which has a comprehensive collection of books online. Our library is the biggest of these that have literally hundreds of thousands of different products represented. You will also see that there are specific sites catered to different categories or niches related with Engineering Graphics Workbook Solutions So depending on what exactly you are searching, you will be able to choose ebook to suit your own need. Thank you for reading Engineering Graphics Workbook Solutions. Maybe you have knowledge that, people have search numerous times for their favorite readings like this Engineering Graphics Workbook Solutions, but end up in harmful downloads. Rather than reading a good book with a cup of coffee in the afternoon, instead they juggled with some harmful bugs inside their laptop. Engineering Graphics Workbook Solutions is available in our book collection an online access to it is set as public so you can download it instantly. Our digital library spans in multiple locations, allowing you to get the most less latency time to download any of our books like this one. Merely said, Engineering Graphics Workbook Solutions is universally compatible with any devices to read.

Find Engineering Graphics Workbook Solutions :

millennium falcon cross section

[metric conversion ladder](#)

microeconomics practice questions

mendel genetics pdf

micronesia physical features

[mercury 1999 outboard motor](#)

[mindset chapter 1 summary](#)

michael brecker eddie murphy

miss golden dreams

[mesopotamia test questions with answers pdf](#)

[metabolism over 40](#)

[minna no nihongo pdf](#)

[mike meyer superman](#)

miami beach street map

mice and men cartoon

Engineering Graphics Workbook Solutions :

cambridge igcse physics 0625 specimen papers gce - Jun 30 2022

web aug 13 2023 caie past papers for cambridge o level cambridge int l as and a level and cambridge igcse subjects past papers cambridge igcse physics 0625 specimen papers gce guide may 2023 papers for caie qualifications available now

[igcse mathematics syllabus specimen papers cie notes](#) - Feb 07 2023

web aug 20 2018 415728 2020 specimen paper 1 mark scheme 415732 2020 specimen paper 1 415736 2020 specimen paper 2 mark scheme 415739 2020 specimen paper 2 415742 2020 specimen paper 3 mark scheme 415744 2020 specimen paper 3 415746 2020 specimen paper 4 mark scheme 415748 2020 specimen paper 4

cambridge international as a level - Jan 06 2023

web specimen paper 1 hour 15 minutes you must answer on the question paper no additional materials are needed

instructions answer all questions use a black or dark blue pen you may use an hb pencil for any diagrams or graphs write your name centre number and candidate number in the boxes at the top of the page

cambridge international as a level - Aug 01 2022

web paper 1 multiple choice for examination from 2022 specimen paper 1 hour 15 minutes you must answer on the multiple choice answer sheet you will need multiple choice answer sheet soft clean eraser soft pencil type b or hb is recommended instructions there are forty questions on this paper answer all questions

[additional mathematics 4049 02 singapore](#) - Mar 28 2022

web ministry of education singapore in collaboration with cambridge assessment international education general certificate of education ordinary level additional mathematics paper 2 4049 02 for examination from 2021 specimen paper candidates answer on the question paper no additional materials

cambridge igcse history 0470 specimen papers gce guide - Apr 28 2022

web aug 13 2023 past papers cambridge igcse history 0470 specimen papers gce guide accept read more past papers of

cambridge igcse history 0470 specimen papers cambridge o levels cambridge igcse cambridge int l as a levels caie october november 2023 session starts 0

cambridge pre u specimen papers and mark schemes - Mar 08 2023

web cambridge pre u specimen papers and mark schemes support cie provides comprehensive support for all its qualifications specimen paper 1 hour 30 minutes read these instructions first write your centre number candidate number and name on all the work you hand in

home cie notes - Apr 09 2023

web welcome to cienotes we provide revision resources including past papers igcse as and a level notes all our revision resources are obtainable through one click downloads we are constantly updating our content so keep checking back services past papers

specimen paper answers gce guide - Sep 02 2022

web introduction the aim of this booklet is to exemplify standards for those teaching cambridge igcse first language english 0500 and to show examples of good answers for specimen paper 1 each answer is followed by a commentary written by a cambridge examiner explaining the strengths and weaknesses of the answers

cie igcse past papers cie notes - Jun 11 2023

web complete igcse past papers cienotes provides the latest past papers and resources including syllabus specimen and question papers marking schemes notes and a lot more past papers for all subjects are available from 2002 up to the latest session all the available contents offered here are completely free and provided in the most convenient

cie as and a level past papers cie notes - Dec 05 2022

web complete as and a level past papers cienotes provides the latest past papers and resources including syllabus specimen and question papers marking schemes notes and a lot more past papers for all subjects are available from 2002 up to the latest session

cambridge international as a level - May 30 2022

web paper 1 reading for examination from 2021 specimen paper 2 hours 15 minutes you must answer on the enclosed answer booklet you will need answer booklet enclosed instructions answer all questions follow the instructions on the front cover of the answer booklet if you need additional answer paper

past papers cambridge igcse gce guide - Aug 13 2023

web aug 13 2023 past papers of cambridge igcse cambridge o levels cambridge igcse cambridge int l as a levels caie october november 2023 session starts 0 days 0 hours 0 minutes 0 seconds update s 13 08 2023 new as a level latest papers added if any paper is still missing please report using the contact us tab accounting 0452

past papers cambridge igcse mathematics 0580 specimen papers - Jul 12 2023

web aug 13 2023 past papers cambridge igcse mathematics 0580 specimen papers gce guide past papers of cambridge igcse mathematics 0580 specimen papers cambridge o levels cambridge igcse cambridge int l as a levels caie october november 2023 session starts 0

igcse past papers caie papacambridge - Feb 24 2022

web mar 24 2023 caie a levels have new 2022 updated topical past papers with answers exclusively available on papacambridge 12 01 2023 october and november 2023 past papers of caie are updated 2022 and 2023 updates 17 10 2022 past papers section is upgraded 12 08 2022 may june 2022 and feb march 2022 past papers are updated

first language english 0500 01 cambridge assessment - May 10 2023

web paper 1 reading for examination from 2020 specimen paper 2 hours you must answer on the question paper you will need insert enclosed instructions answer all questions use a black or dark blue pen write your name centre number and candidate number in the boxes at the top of the page

igcse chemistry syllabus specimen papers cie notes - Nov 04 2022

web jul 10 2018 166849 2016 specimen paper 5 mark scheme 166851 2016 specimen paper 5 instructions 166853 2016 specimen paper 6 mark scheme 166869 2016 specimen paper 1 166871 2016 specimen paper 2 166873 2016 specimen paper 3 166875 2016 specimen paper 4 166877 2016 specimen paper 5 166879 2016

cie past papers cie notes - Sep 14 2023

web complete cie past papers cienotes offers a range of cambridge international examinations teaching support and resource materials for each subject select the examination below for the available past papers syllabus and

past papers cambridge assessment international education - Oct 15 2023

web select your subject and find past papers and specimen papers in the left hand side bar other resources you may find useful test maker create customised test papers using past papers to check your learners understanding and measure their progress in specific areas or the whole syllabus read more syllabus quizzes

cie lower secondary checkpoint past papers cie notes - Oct 03 2022

web complete lower secondary checkpoint past papers cienotes provides the latest past papers and resources including syllabus specimen and question papers marking schemes notes and a lot more all the available contents offered here are completely free and provided in the most convenient way

saudi heart association acls pre test 2022 - Feb 13 2022

web acls advanced cardiac life support review mosby this quick study guide shows health care professionals how to excel in the american heart association s advanced cardiac

national cpr saudi heart association - Dec 26 2022

web the advanced cardiovascular life support acls precourse self assessment is an online tool that evaluates a student s knowledge before the course to determine their

acls pretest questions and answers 2023 full practice test - Sep 03 2023

web nov 18 2022 pre test probability assessment is crucial when considering the need for testing test selection appropriateness and test result interpretation the clinician can

saudi heart association acls pre test 2022 stage gapinc - Mar 17 2022

web institute acls certification course a pretest and posttest each containing 50 questions with answers and rationales allow you to check your new american heart

atlas aha american heart association - Jun 19 2022

web saudi heart association acls pre test 3 3 improve cardiac arrest survival examines the complete system of response to cardiac arrest in the united states and identifies

[saudiheartassociationaclspretest copy mis sesta](#) - Oct 12 2021

saudi heart association guidelines on best practices in the - May 31 2023

web the aha s acls course builds on the foundation of lifesaving bls skills emphasizing the importance of continuous high quality cpr reflects science and education from the

saudi heart association acls pre test copy learn copyblogger - Dec 14 2021

cpr first aid elearning - Aug 22 2022

web saudi heart association acls pre test saudi heart association acls pre basic life support review questions with answers acls megacode basic life support

saudi heart association acls pre test pdf esource svb - Apr 17 2022

web pages of saudi heart association acls pre test a charming fictional treasure filled with organic emotions lies an immersive symphony waiting to be embraced constructed by

saudi heart association acls pre test download only - May 19 2022

web 4 saudi heart association acls pre test 2022 03 24 new and updated interventions explains acls course and exam components and requirements proven study

[welcome to saudi heart association sha cpr](#) - Oct 04 2023

web saudi heart association sha is committed to provide the best practice and updated science through the cpr course to all

users also provide the upgrade best practice and education modalities to its affiliated training centers please search for our courses view all courses first aid instructor

advanced cardiac life support acls training with 10 cme points - Feb 25 2023

web you have been successfully registered with saudi heart association portal your login credentials are sent to your email id given in the registration form registration payment

saudiheartassociationaclspretest awards digitalalberta - Nov 12 2021

bls saudi heart association virtual academy - Apr 29 2023

web the saudi heart association hereafter called the association is recognized at its premises and may have more chapters in other locations if needed the progression and

sha cpr - Jan 27 2023

web acls review made incredibly easy jun 16 2023 cls review made incredibly easy gives you the confidence you need to pass the acls certification exam as well as the

acls precourse self assessment american heart - Jul 01 2023

web the saudi heart association hereafter called the association is recognized at its premises and may have more chapters in other locations if needed the progression and

training programs sha cpr - Mar 29 2023

web scale rating with the saudi heart association guidelines the knowl edge instrument will be composed of 20 item questions validated and pre tested based on saudi heart

utilizing saudi heart association basic life support guidelines in - Nov 24 2022

web new 2020 2025 acls guideline changes 15 questions total in october of 2020 the american heart association revised and updated the acls guidelines this practice

saudi heart association acls pre test download only - Jan 15 2022

saudiheartassociationaclspretest - Sep 22 2022

web 2 saudi heart association acls pre test 2022 04 04 tackles required acls course and exam content it is also the perfect on the spot clinical reference for nurses students

home saudi heart association - Aug 02 2023

web bls the bls provider course teaches both single rescuer and team basic life support skills for application in both prehospital and in facility environments with a focus on high

sha cpr - Oct 24 2022

web we translate these guidelines into the highest quality training materials courses and programs in cpr first aid and advanced emergency cardiovascular care for healthcare

acls practice test library acls algorithms com - Jul 21 2022

web saudi heart association acls pre test downloaded from stage gapinc com by guest costa french emergency medical services cambridge university press instructor

messenger features - Nov 09 2022

you can download the messenger for windows desktop app

facebook log in or sign up - Jun 23 2021

messenger - Sep 07 2022

1 day ago helsinki ap telecom gear maker nokia said thursday that it is planning to cut up to 14 000 jobs worldwide or 16 of its workforce as part of a push to reduce costs

nokia layoffs company plans to cut up to 14 000 jobs ap news - Apr 02 2022

you must log in to continue log in forgot account sign up for facebook

log into facebook - Oct 28 2021

messenger - May 03 2022

apr 3 2020 facebook messenger desktop indir messenger sayesinde nerede olursanız olun konuşmalarınızı sürdürün Özellikler hiçbir mesajı kaçırmamak için bildirimler alın sizi

nokia anuncia un despido masivo de 14 000 trabajadores tras - Aug 26 2021

facebook for nokia java app download for free on phoneky - Sep 19 2023

facebook for nokia java app here the latest version of facebook app which can be used in any java phone with all new features this facebook application able to run on almost any

download messenger for pc mac text audio and video calls - Apr 14 2023

facebook taki gönderileri fotoğrafları ve daha fazlasını gör

facebook - Dec 10 2022

hang out anytime anywhere messenger makes it easy and fun to stay close to your favorite people

nokia c3 00 için facebook messenger maxicep - Jan 31 2022

oct 19 2023 nokia anuncia el despido de hasta 10 000 empleados en un plazo de dos años el gigante finlandés de las telecomunicaciones nokia anunció el jueves que suprimirá hasta
microsoft apps - Sep 26 2021

nokia will nach gewinneinbruch bis zu 14 000 stellen abbauen - Mar 01 2022

get apps games and more for your windows device

facebook messenger İndir android gezginler mobil - Jan 11 2023

connect with your favorite people continue keep me signed in

facebook for nokia cnet download - Aug 18 2023

facebook for nokia free download facebook pro nokia suite facebook desktop messenger and many more programs

how to download install facebook messenger 4 - Feb 12 2023

facebook messenger for windows phone is now available for download get it here newwp it 1hm8ele

stay connected with facebook on your nokia phone a - Jul 17 2023

apr 9 2014 facebook messenger for asha lumia and nokia x microsoft devices blog lumia april 9 2014 facebook messenger for asha lumia and nokia x by microsoft devices team

download the messenger desktop app messenger help center - Jun 04 2022

1 day ago das hat nun folgen für die belegschaft der mobilfunkausrüster nokia muss wegen schwacher umsätze sparen und will deswegen bis zu 14 000 arbeitsplätze streichen der

facebook messenger İndir Ücretsiz İndir tamindir - Jul 25 2021

facebook messenger desktop İndir gezginler - Nov 28 2021

create new account create a page for a celebrity brand or business log into facebook to start sharing and connecting with your friends family and people you know

messenger apps on google play - May 15 2023

1 day ago meta s telegram inspired broadcast channels previously seen in instagram and whatsapp are spreading to facebook and facebook messenger in the coming weeks

facebook messenger for asha lumia and nokia x - Jun 16 2023

download messenger for pc mac text audio and video calls group audio and video calls unlimited messaging and more now on desktop be together whenever with our free all in one

messenger facebook - Aug 06 2022

19 oktober 2023 11 38 uhr quelle zeit online reuters dpa afp ljk der finnische telekomausrüster nokia muss wegen schwacher umsätze sparen und will deswegen bis zu

microsoft lumia facebook messenger for windows phone is - Oct 08 2022

hang out wherever whenever messenger makes it easy and fun to stay close to your favourite people

nokia will bis zu 14 000 jobs streichen der spiegel - Dec 30 2021

mar 1 2023 can Çevrim 8 ay Önce güncellendi facebook tarafından hazırlanan mesajlaşma programı windows için facebook messenger windows 10 kullanıcılarının

meta is telegramming its broadcast channels to facebook and - Mar 13 2023

messenger has everything you need to feel closer to your favorite people messenger powers conversations within facebook instagram portal and oculus watch together enjoy

messenger facebook - Jul 05 2022

may 5 2023 nokia c3 00 için facebook chat programı var mı c3 kendi sohbet programıyla msn kullanabilirsin ben kullanıyorum arka fona atılabiliyor alternatif istersen eğer burdan