

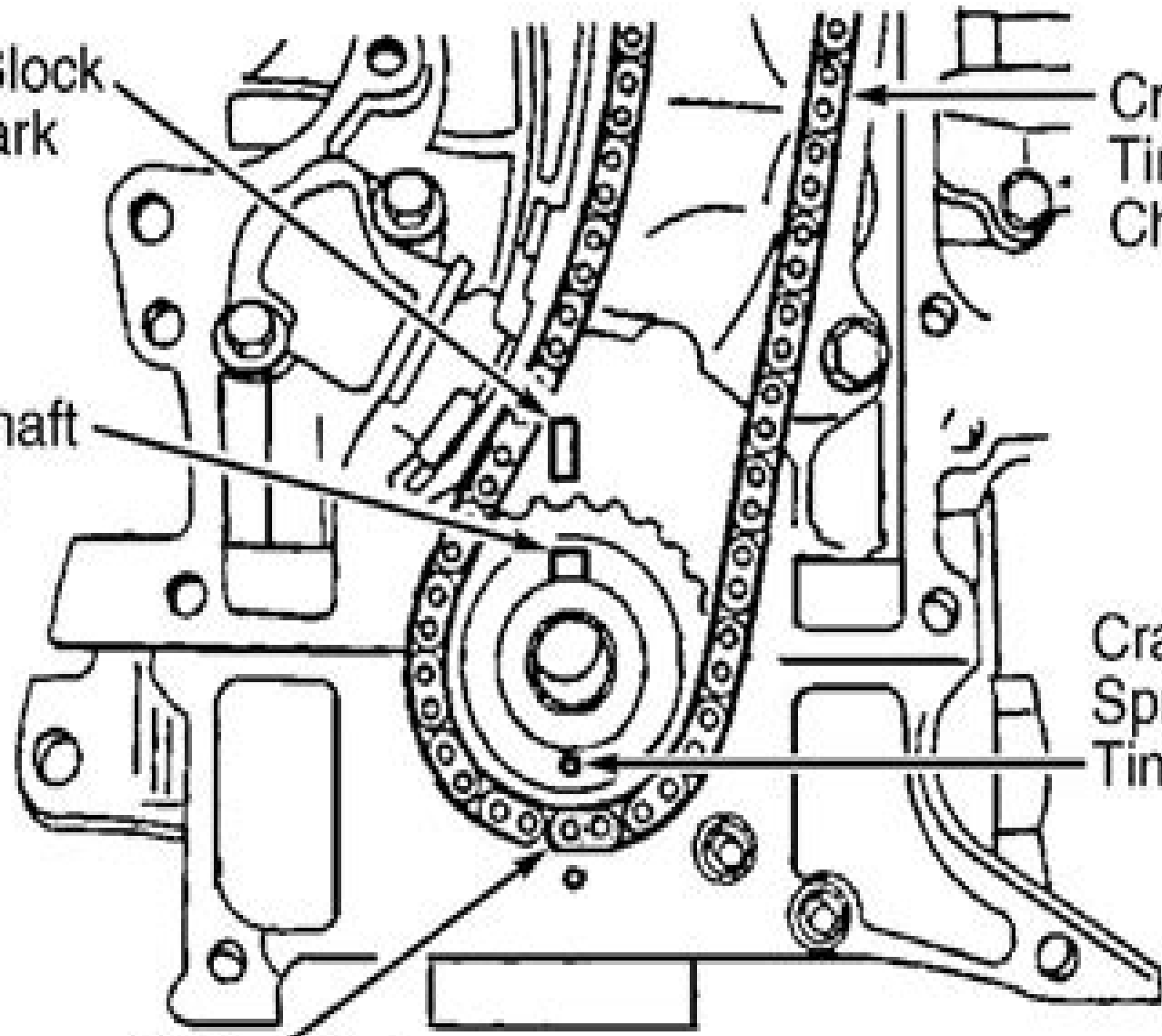
Cylinder Block  
Timing Mark

Crankshaft  
Timing  
Chain

Crankshaft  
Keyway

Crankshaft  
Sprocket  
Timing Mark

Yellow Link



# **Chevy Tracker Manual 2002 Free**

**United States. Congress**



# Chevy Tracker Manual 2002 Free

*4.6L & 5.4L Ford Engines* George Reid, 2015-04-15 Since 1991 the popular and highly modifiable Ford 4.6 liter has become a modern day V8 phenomenon powering everything from Ford Mustangs to hand built hot rods and the 5.4 liter has powered trucks SUVs the Shelby GT500 and more The wildly popular 4.6 liter has created an industry unto itself with a huge supply of aftermarket high performance parts machine services and accessories Its design delivers exceptional potential flexibility and reliability The 4.6 liter can be built to produce 300 hp up to 2 000 hp and in turn it has become a favorite among rebuilders racers and high performance enthusiasts *4.6 5.4 Liter Ford Engines How to Rebuild* expertly guides you through each step of rebuilding a 4.6 liter as well as a 5.4 liter engine providing essential information and insightful detail This volume delivers the complete nuts and bolts rebuild story so the enthusiast can professionally rebuild an engine at home and achieve the desired performance goals In addition it contains a retrospective of the engine family essential identification information and component differences between engines made at Romeo and Windsor factories for identifying your engine and selecting the right parts It also covers how to properly plan a 4.6 5.4 liter build up and choose the best equipment for your engine s particular application As with all Workbench Series books this book is packed with detailed photos and comprehensive captions where you are guided step by step through the disassembly machine work assembly start up break in and tuning procedures for all iterations of the 4.6 5.4 liter engines including 2 valve and 3 valve SOHC and the 4 valve DOHC versions It also includes an easy to reference spec chart and suppliers guide so you find the right equipment for your particular build up

**Critical Theory Today** Lois Tyson, 2012-09-10 *Critical Theory Today* is the essential introduction to contemporary critical theory It provides clear simple explanations and concrete examples of complex concepts making a wide variety of commonly used critical theories accessible to novices without sacrificing any theoretical rigor or thoroughness This new edition provides in depth coverage of the most common approaches to literary analysis today feminism psychoanalysis Marxism reader response theory new criticism structuralism and semiotics deconstruction new historicism cultural criticism lesbian gay queer theory African American criticism and postcolonial criticism The chapters provide an extended explanation of each theory using examples from everyday life popular culture and literary texts a list of specific questions critics who use that theory ask about literary texts an interpretation of F Scott Fitzgerald s *The Great Gatsby* through the lens of each theory a list of questions for further practice to guide readers in applying each theory to different literary works and a bibliography of primary and secondary works for further reading

*Ford Inline Six* Matt Cox, Barton Maurer, 2020-12-15 Rebuild and modify your Ford inline six with help from the leading performance builders of these engines *Vintage Inlines* Covering Ford s small 6 cylinder engine made famous in Falcons Comets Mustangs and many other models from the 1960s and 1970s this book has everything you need to know from step by step rebuilding instructions

to performance parts that will set you apart from the rest of the crowd If this is your first engine build you ll be glad to know that every aspect of a complete rebuild is here Starting with engine removal you ll learn all the different steps including examination machine work reassembly and reinstallation The mystery is revealed on setting ring gap checking valve to piston clearance and even degreasing the camshaft for spot on valve timing Whether it s replacing the undersized and outdated 1 barrel carburetor or the original Load O Matic distributor you ll learn how to get the most from the engine that came as original equipment in literally millions of our favorite Ford vehicles With the information in this book you ll learn how to add a 2 barrel carburetor electronic ignition and even a header so you can have the smooth rumble of dual exhaust

Congratulations on your decision to build and modify one of the most popular engines from some of the most popular cars in Ford s long history with Ford Inline Six How to Rebuild Modify *Born to Run* Christopher McDougall,2010-12-09 A New York Times bestseller A sensation a rollicking tale well told The Times At the heart of Born to Run lies a mysterious tribe of Mexican Indians the Tarahumara who live quietly in canyons and are reputed to be the best distance runners in the world in 1993 one of them aged 57 came first in a prestigious 100 mile race wearing a toga and sandals A small group of the world s top ultra runners and the awe inspiring author make the treacherous journey into the canyons to try to learn the tribe s secrets and then take them on over a course 50 miles long With incredible energy and smart observation McDougall tells this story while asking what the secrets are to being an incredible runner Travelling to labs at Harvard Nike and elsewhere he comes across an incredible cast of characters including the woman who recently broke the world record for 100 miles and for her encore ran a 2 50 marathon in a bikini pausing to down a beer at the 20 mile mark

What Color is Your Parachute? Richard Nelson Bolles,1972 The Stigma of Addiction Jonathan D. Avery,Joseph J. Avery,2019-01-09 This book explores the stigma of addiction and discusses ways to improve negative attitudes for better health outcomes Written by experts in the field of addiction the text takes a reader friendly approach to the essentials of addiction stigma across settings and demographics The authors reveal the challenges patients face in the spaces that should be the safest including the home the workplace the justice system and even the clinical community The text aims to deliver tools to professionals who work with individuals with substance use disorders and lay persons seeking to combat stigma and promote recovery The Stigma of Addiction is an excellent resource for psychiatrists addiction medicine specialists students across specialties researchers public health officials and individuals with substance use disorders and their families **The Onion Book of Known**

**Knowledge** The Onion,2012-10-23 Are you a witless cretin with no reason to live Would you like to know more about every piece of knowledge ever Do you have cash Then congratulations because just in time for the death of the print industry as we know it comes the final book ever published and the only one you will ever need The Onion s compendium of all things known Replete with an astonishing assemblage of facts illustrations maps charts threats blood and additional fees to edify even the most simple minded book buyer The Onion Book of Known Knowledge is packed with valuable information such as the life

stages of an Aunt places to kill one s self in Utica New York and the dimensions of a female bucket or pail With hundreds of entries for all 27 letters of the alphabet The Onion Book of Known Knowledge must be purchased immediately to avoid the sting of eternal ignorance

**Congressional Record** United States. Congress,1962 The Congressional Record is the official record of the proceedings and debates of the United States Congress It is published daily when Congress is in session The Congressional Record began publication in 1873 Debates for sessions prior to 1873 are recorded in The Debates and Proceedings in the Congress of the United States 1789 1824 the Register of Debates in Congress 1824 1837 and the Congressional Globe 1833 1873

**Automotive News** , *Chilton's Chassis Electronics Service Manual* Chilton Automotive Editorial Staff,1992

**The Miracle Morning (Updated and Expanded Edition)** Hal Elrod,2024-01-09 Start waking up to your full potential every single day with the updated and expanded edition of the groundbreaking book that has sold more than two million copies So much more than a book It is a proven methodology that will help you fulfil your potential and create the life you ve always wanted Mel Robbins New York Times bestselling author of The High 5 Habit and The 5 Second Rule Getting everything you want out of life isn t about doing more It s about becoming more Hal Elrod and The Miracle Morning have helped millions of people become the person they need to be to create the life they ve always wanted Now it s your turn Hal s revolutionary SAVERS method is a simple effective step by step process to transform your life in as little as six minutes per day

Silence Reduce stress and improve mental clarity by beginning each day with peaceful purposeful quiet Affirmations Reprogram your mind to overcome any fears or beliefs that are limiting your potential or causing you to suffer Visualization Experience the power of mentally rehearsing yourself showing up at your best each day Exercise Boost your mental and physical energy in as little as sixty seconds Reading Acquire knowledge and expand your abilities by learning from experts Scribing Keep a journal to deepen gratitude gain insights track progress and increase your productivity by getting clear on your top priorities This updated and expanded edition has more than forty pages of new content including The Miracle Evening Optimize your bedtime and sleep to wake up every day feeling refreshed and energized for your Miracle Morning The Miracle Life Begin your path to inner freedom so you can truly be happy and learn to love the life you have while you create the life you want

*Mastering Mountain Bike Skills* Brian Lopes,2017-07-24 If you want to ride like a pro you should learn from a pro In Mastering Mountain Bike Skills Third Edition world champion racer Brian Lopes and renowned riding coach Lee McCormack share their elite perspectives real life race stories and their own successful techniques to help riders of all styles and levels build confidence and experience the full exhilaration of the sport Mastering Mountain Bike Skills is the best selling guide for all mountain biking disciplines including enduro pump track racing dual slalom downhill cross country fatbiking and 24 hour races It absolutely captures the sport and offers everything you need to maximize performance and excitement on the trail Learn how to select the proper bike and customize it for your unique riding style Develop a solid skills base so you can execute techniques with more power and precision Master the

essential techniques to help you carve every corner nail every jump and conquer every obstacle in your path Last but not least prepare yourself to handle every type of weather and trail condition that the mountain biking world throws at you Whether you re a recreational rider looking to rock the trails with friends are a seasoned enthusiast or are aspiring to be a top pro Mastering Mountain Bike Skills will improve your ride and dust the competition Don t just survive the trail own the trail and enjoy the thrill of doing it Corvette, 1966-1982 Motorbooks,1986-12-26 For the owner or professional mechanic Complete information for performing all required sevice operations and overhauls Covers all components Engine sizes 327 350 427 and 454 **Red Pedagogy** Sandy Grande,2015-09-28 This ground breaking text explores the intersection between dominant modes of critical educational theory and the socio political landscape of American Indian education Grande asserts that with few exceptions the matters of Indigenous people and Indian education have been either largely ignored or indiscriminately absorbed within critical theories of education Furthermore American Indian scholars and educators have largely resisted engagement with critical educational theory tending to concentrate instead on the production of historical monographs ethnographic studies tribally centered curricula and site based research Such a focus stems from the fact that most American Indian scholars feel compelled to address the socio economic urgencies of their own communities against which engagement in abstract theory appears to be a luxury of the academic elite While the author acknowledges the dire need for practical community based research she maintains that the global encroachment on Indigenous lands resources cultures and communities points to the equally urgent need to develop transcendent theories of decolonization and to build broad based coalitions **Chilton's General Motors Full Size Trucks** Thomas A. Mellon,1996 Covers all U S and Canadian models of Chevrolet GMC pick ups Sierra Blazer Tahoe Yukon and Suburban 2 and 4 wheel drive gasoline and diesel engines Cover **Understanding the Universe** Don Lincoln,2012 This book explains the fascinating world of quarks and leptons and the forces that govern their behavior Told from an experimental physicist s perspective it forgoes mathematical complexity using instead particularly accessible figures and apt analogies In addition to the story of quarks and leptons which are regarded as well accepted fact the author who is a leading researcher at one of the world s highest energy particle physics laboratories also discusses mysteries at both the experimental and theoretical frontiers before tying it all together with the exciting field of cosmology and indeed the birth of the universe itself *Positive Psychology in the Elementary School Classroom* Patty O'Grady,2013-03-11 Use the neuroscience of emotional learning to transform your teaching How can the latest breakthroughs in the neuroscience of emotional learning transform the classroom How can teachers use the principles and practices of positive psychology to ensure optimal 21st century learning experiences for all children Patty O Grady answers those questions Positive Psychology in the Elementary School Classroom presents the basics of positive psychology to educators and provides interactive resources to enrich teachers proficiency when using positive psychology in the classroom O Grady underlines the importance of teaching the whole child encouraging social awareness

and positive relationships fostering self motivation and emphasizing social and emotional learning Through the use of positive psychology in the classroom children can learn to be more emotionally aware of their own and others feelings use their strengths to engage academically and socially pursue meaningful lives and accomplish their personal goals The book begins with Martin Seligman s positive psychology principles and continues into an overview of affective learning including its philosophical and psychological roots from finding the golden mean of emotional regulation to finding a child s potencies and golden self O Grady connects the core concepts of educational neuroscience to the principles of positive psychology explaining how feelings permeate the brain affecting children s thoughts and actions how insular neurons make us feel empathy and help us learn by observation and how the frontal cortex is the hall monitor of the brain The book is full of practical examples and interactive resources that invite every educator to create a positive psychology classroom where children can flourish and reach their full potential

**Customer Service** Paul R. Timm,2011 Customer Service Career Success through Customer Loyalty 5e provides a systematic process for building service skills that all business people need Presented in a friendly conversational manner the text is filled with examples that demonstrate the link between service skills and career achievement This edition is reorganized so it is easy to see how key concepts fit together New information is included on internal customers emerging technologies and stress reducing techniques Throughout the text there is an emphasis on transforming good service intentions into a workable plan that exceeds customer expectations and creates loyalty and success

**Fire Support Coordination in the Ground Combat Element** U. S. Corps,2013-06-27 Marine Corps Warfighting Publication MCWP 3 16 Fire Support Coordination in the Ground Combat Element is a framework for coordinating and employing supporting arms in consonance with maneuver elements

*The Twilight Saga: The Official Illustrated Guide* Stephenie Meyer,2011-04-13 Immerse yourself in the world of Twilight with the official illustrated guide to the 1 New York Times bestselling series featuring exclusive illustrations character profiles and more This must have edition the only official guide is the definitive encyclopedic reference to the Twilight Saga and provides readers with everything they need to further explore the unforgettable world Stephenie Meyer created in Twilight New Moon Eclipse Breaking Dawn and The Short Second Life of Bree Tanner This comprehensive handbook essential for every Twilight Saga fan is full color throughout with nearly 100 gorgeous illustrations and photographs and with exclusive material character profiles genealogical charts maps extensive cross references and much more It s here 1 bestselling author Stephenie Meyer makes a triumphant return to the world of Twilight with the highly anticipated companion Midnight Sun the iconic love story of Bella and Edward told from the vampire s point of view People do not want to just read Meyer s books they want to climb inside them and live there Time A literary phenomenon The New York Times

web jan 12 2017 *sissy stories hot wives turning their husbands into sissies sissification collection cuckold erotica femdom light bdsm amy stevens* 1 33 3

*sissy transformation husband wife search xvideos com* - Sep 06 2021

web sissy transformation husband wife 16 353 results report sort by relevance date duration video quality viewed videos 1 2 3 4 5 6 7 8 9 10 11 12 next 1080p

unrelenting sadomasochistic feminisation transforming my - Jul 28 2023

web jan 24 2018 *the dominatrix cruelly enslaves the chambermaid and turns her into a bisexual porn actress unrelenting sadomasochistic feminisation*

*kate garraway my husband derek draper turned blue years* - Mar 12 2022

web sep 28 2023 *kate garraway has spoken frankly of her fears for her husband derek draper the good morning britain star s 56 year old husband derek still requires full*

**wife turns husband into sissy search xvideos com** - Oct 07 2021

web 720p daisyjo turns table on husband and fucks his ass 6 min daisyjo1975 29 6k views 360p hotwife turns hubby into sissy 3 min frankiebank 1080p asian couple swap

**wife who turned husband into sissies pdf 2023 university of** - Apr 13 2022

web upload mita p williamson 1 1 downloaded from vla ramtech uri edu on september 29 2023 by mita p williamson reviewing unlocking the spellbinding force of linguistics in a

**three cops injured as man unleashes violence to evade arrest in** - Feb 11 2022

web 4 hours ago published september 30 2023 12 35 pm ist representational image manorama news topic kozhikode kozhikode three police officials including a circle

my son became my daughter and then my husband became - Apr 25 2023

web apr 12 2016 *my son became my daughter and then my husband became my wife when her daughter came out as transgender she never imagined her husband would*

**femme fever before and after page the leading transgendered** - Oct 19 2022

web femme fever the leading crossdressing transgender transformation service events support organization and boutique is a professional and personalized service for the

**how to turn your husband into a housewife madamenoire** - Jan 10 2022

web apr 12 2012 *how to turn your husband into a housewife madamenoire posted on april 12 2012 by l nicole williams madamenoire featured video as women rise in*

**sissy taken by another man femdom and forced feminization** - Jan 22 2023



web jun 18 2022 make him want you his wife demanded pushing her sissy husband into the arms of another man when another couple comes to stay tyler is outed as a sissy

[women that like their men to be feminine and sweet](#) - Feb 23 2023

web apr 20 2021 my wife and i have two children a 10 year old daughter jenny and an 8 year old son jaime as i m writing this jenny and jaime are in jenny s bedroom playing

**an interview with ms margo paige female supremacist** - Mar 24 2023

web apr 5 2021 it s time to turn boys and men into girly subservient sissies serving us ladies one final question how would you develop a trophy sissy spouse for entering the new

**the making of the sissies and flr the new age** - Aug 17 2022

web oct 24 2020 the making of the sissies and flr the new age posted on october 24 2020 by patti59 the world has seen a great change in the last 30 to 40 years more

**how to become a sissy cherry chichi** - Sep 18 2022

web if you want to be a sissy the first thing you need to do is change your body language start practicing walking and sitting like a lady shoulders back chin up and don t forget to arch

**sissy wikipedia** - Jul 16 2022

web sissy derived from sister also sissy baby sissy boy sissy man sissy pants etc is a pejorative term for a boy or man who does not demonstrate masculine traits and shows

**husbands who became the wife flickr** - Aug 29 2023

web group description this is a group of those who were tired of being the husband and took over as the wife and sometimes soccer mom i always loved to see couple and dreamed

*malayali businessman murdered found hanging from tree in* - Jun 15 2022

web 9 hours ago photo manorama new delhi a malayali businessman was found hanging from a tree at a park near dwarka mor in southwest delhi on friday the deceased

**a husband in a sissy maid uniform ravaged by another man for** - Dec 21 2022

web aug 16 2020 a husband in a sissy maid uniform ravaged by another man for his wife s perverted pleasure show full title by sabrina kirkwood 0 ratings about this ebook

**a fantasy gone way wrong 2 bigcloset topshelf** - May 26 2023

web jan 9 2008 she was going to turn her cheating husband into a cute little 2 year old sissy baby girl jane had decided she was going to make him into a really cute sissy she was

[women who love to feminize their husbands crossdream life](#) - Jun 27 2023

web may 13 2022 women who love to feminize their husbands 38 posts 1 2 3 4 next terrienova 377 419 dream dancer may 13 2022 1 alice about dressing up her

*cruel not to grant divorce even after total marriage failure hc* - May 14 2022

web 1 day ago published september 29 2023 10 06 am ist kerala high court photo manorama topic ernakulam kochi it is cruel on the part of the partner not to give

*pimping out her husband complete series and the sissy* - Nov 20 2022

web two of j s lee s saucy sissy story series put together in a single package buy them together and save included are pimping out her husband jeff and elizabeth are

*wife turned me into a sissy xhamster* - Nov 08 2021

web 18 25 my wife has a hairy pussy and it turns me on a lot centoxcentovod 74 5k views 15 51 got caught wanking in the front room it turned her on so much she wanted to help

*soigner son animal au naturel journal des femmes* - Oct 22 2023

attention aux casseroles qui traînent aux produits de jardinage et de voiture qui peuvent infliger à votre animal des brûlures thermiques et chimiques leur see more

[soigner son animal avec les ma c decines naturell 2023](#) - May 17 2023

web child will meet the following zoo animals in this book elephant sloth zebra toucan lemur cheetah tiger gorilla giraffe lion and armadillo the perfect gift for any child in your life

*soigner son animal avec les ma c decines naturell pdf* - Aug 08 2022

web soigner son animal avec les ma c decines naturell phantasms of the living de ma c decine la c gale et de jurisprudence ma c dicale classic

**soigner les animaux traduction anglaise linguee** - Feb 02 2022

web aug 26 2023 renouer avec ses instincts violents de justicier pour faire face à une violence inédite au cœur des incendies et il compte sur l aide d un étrange chien

*soigner son animal avec les ma c decines naturell uniport edu* - Nov 30 2021

web de très nombreux exemples de phrases traduites contenant soigner un animal dictionnaire anglais français et moteur de recherche de traductions anglaises consulter

[soigner son animal avec les ma c decines naturell pdf](#) - Oct 10 2022

web soigner son animal avec les ma c decines naturell canadian theses jan 22 2021 foreign trade statistics associated overseas areas may 18 2023 lexicon tetraglotton

**soigner son animal avec les ma c decines naturell pdf pdf** - Jul 07 2022

web decines naturell getting the books soigner son animal avec les ma c decines naturell now is not type of inspiring means you could not only going later than books

*soigner son animal avec les ma c decines naturell pdf* - Dec 12 2022

web soigner son animal avec les ma c decines naturell elements of geography and of natural and civil history jun 24 2021  
monthly magazine of politics literature art

**soigner son animal avec les ma c decines naturell copy** - Jan 13 2023

web l exposition questionne le lien entre l homme et l animal à travers ses représentations dans l art depuis les peintures rupestres jusqu à l art contemporain dictionnaire raisonné et

**soigner vos animaux au naturel les brindherbes** - Jul 19 2023

ces petits animaux brun foncé se nichent chez le chien sur son abdomen autour du cou et le long du dos et chez le chat sur la tête les oreilles le cou le see more

**free soigner son animal avec les ma c decines naturell** - Apr 16 2023

web dec 8 2015 le fait de posséder un animal de compagnie est bénéfique sur la santé depuis les années 60 diverses études ont été menées à ce sujet en 2003 ces

**downloadable free pdfs soigner son animal avec les ma c** - Jun 06 2022

web jul 9 2023 soigner son animal avec les ma c decines naturell 2 7 downloaded from uniport edu ng on july 9 2023 by guest gironde pour former des méga feux ravageant

**free soigner son animal avec les ma c decines naturell** - Mar 15 2023

web nov 3 2020 retrouvez 5 conseils pour prendre soin de la santé de son chat ou de son chien pour profiter pleinement et le plus longtemps possible de son animal de compagnie

**soigner son animal avec les ma c decines naturell download** - Apr 04 2022

web devra renouer avec ses instincts violents de justicier pour faire face à une violence inédite au cœur des incendies et il compte sur l aide d un étrange chien abandonné retourné à

**soigner son animal avec les ma c decines naturell uniport edu** - May 05 2022

web aug 6 2023 this is likewise one of the factors by obtaining the soft documents of this soigner son animal avec les ma c decines naturell by online you might not require

*soigner son animal avec les ma c decines naturell pdf* - Sep 09 2022

web soigner son animal avec les ma c decines naturell the enigmatic realm of soigner son animal avec les ma c decines naturell unleashing the language is inner magic

*soigner son animal avec les ma c decines naturell pdf* - Jan 01 2022

web soigner son animal avec les ma c decines naturell le meilleur véto de votre chien c est lui guide pratique de zoopharmacognosie dialoguer avec son animal le petit

[soigner un animal traduction anglaise linguee](#) - Mar 03 2022

web soigner son animal avec les ma c decines naturell dictionnaire raisonné et universel des animaux ou le règne animal jan 15 2023 grand dictionnaire universel du

**free pdf download soigner son animal avec les ma c** - Aug 20 2023

les problèmes digestifs résultant en général d un déséquilibre alimentaire en cas d indigestion faites faire un jeûne de 24h à votre animal afin de laisser see more

**read free soigner son animal avec les ma c decines naturell** - Feb 14 2023

web soigner son animal avec les ma c decines naturell dictionnaire classique d histoire naturelle par messieurs audouin isid bourdon ad la nature et ses productions ou

[soigner son animal avec les ma c decines naturell pdf dotnbm](#) - Sep 21 2023

dans le cas des pellicules le pelage peut être gras et avoir une odeur désagréable c est souvent le régime alimentaire qui est en cause Évitez également see more

*5 conseils pour prendre soin de son animal* - Jun 18 2023

web soigner son animal avec les ma c decines naturell 1 soigner son animal avec les ma c decines naturell chiens compagnie docteur fourrure le petit larousse du

[download solutions soigner son animal avec les ma c decines](#) - Nov 11 2022

web critique et acclamée par des millions de fans à travers le monde elle a vécu sous le feu des projecteurs entre triomphes et tragédies jusqu à devenir une légende pour la première

**netter atlas de correlacion anatomo radiologica a** - Nov 24 2021

[netter atlas de correlación anatomo radiológica](#) - Feb 08 2023

web netter atlas de correlacion anatomo radiologica a is easy to get to in our digital library an online entry to it is set as public correspondingly you can download it instantly our

**netter atlas de correlación anatomo radiológica anatomía** - Jun 12 2023

web a lo largo de los capítulos se combinan de forma magistral los dibujos netter con las imágenes obtenidas con las más modernas tecnologías rm ct y la atc angiografía

**netter atlas de correlación anatomo radiológica overdrive** - May 11 2023

web sep 23 2014 el presente título se enmarca dentro de la marca netter s correlative imaging series y se presenta como

una magnífica guía visual en el estudio de la

**netter atlas de correlación anatómo radiológica anatomía** - Aug 14 2023

web descripción la mejor guía visual de la anatomía torácica y cardíaca gracias a su magistral combinación de los dibujos

netter y las más modernas tecnologías rm ct y la atc

**netter atlas de correlacion anatómo radiológica a** - Jan 27 2022

web netter atlas de correlacion anatómo radiológica a 3 3 netter s orthopaedic clinical examination saunders written by experts in the field of pharmacovigilance and patient

*netter atlas de correlacion anatómo radiológica a pdf* - Apr 29 2022

web netter atlas de correlacion anatómo radiológica a downloaded from doblespacio uchile cl by guest hailey clinton netter s atlas of neuroscience

**netter atlas de correlacion anatómo radiológica anatomía** - Mar 09 2023

web netter atlas de correlación anatómo radiológica anatomía cardiotorácica 61 te jid o s b l a n d o s t o r á c i c o s y p u l m o n e s a x i a l 2

**netter atlas de correlacion anatómo radiológica a copy** - May 31 2022

web netter atlas de correlacion anatómo radiológica a downloaded from neurocme med ucla edu by guest alvarez sanaa neuropatología forense elsevier

**netter atlas de correlación anatómo radiológica anatomía** - Jul 13 2023

web netter atlas de correlación anatómo radiológica anatomía cardiotorácica ebook written by michael gotway read this book using google play books app on your pc android

**netter atlas de correlacion anatómo radiológica a 2022** - Dec 26 2021

web on line proclamation netter atlas de correlacion anatómo radiológica a as capably as review them wherever you are now netter s orthopaedic clinical examination e book

*netter atlas de correlacion anatómo radiológica a copy* - Oct 04 2022

web netter atlas de correlacion anatómo radiológica a netter anatomía clínica anatomía con orientación clínica netter atlas of human anatomy classic regional approach

*netter atlas de correlacion anatómo radiológica a 2022* - Dec 06 2022

web netter atlas de correlacion anatómo radiológica a 5 5 coverage of blood and lymph nodes while more clinical correlates throughout help you apply what you ve learned

netter atlas de correlacion anatómo radiológica a - Feb 25 2022

web netter atlas de correlación anatómo radiológica anatomía cardiotorácica netter s correlative imaging cardiothoracic

anatomy imaging atlas of human anatomy e book

**netter atlas de correlacion anatomo radiologica a 2022** - Nov 05 2022

web netter atlas de correlación anatomo radiológica anatomía cardiorádica wheater s basic pathology a text atlas and review of histopathology e book netter s correlative

**netter atlas de correlacion anatomo radiologica a pdf** - Jan 07 2023

web 4 netter atlas de correlacion anatomo radiologica a 2021 08 08 radiográficas tc cada uno de los capítulos tiene una estructura muy homogénea en la que de forma

**netter atlas de correlacion anatomo radiologica a** - Mar 29 2022

web netter atlas de correlacion anatomo radiologica a downloaded from sql1 viewber co uk by guest skinner hancock netter s atlas of neuroscience

*netter atlas de correlacion anatomo radiologica anatomia* - Aug 02 2022

web we find the money for netter atlas de correlacion anatomo radiologica a and numerous books collections from fictions to scientific research in any way accompanied

netter atlas de correlacion anatomo radiologica a - Jul 01 2022

web el atlas práctico de anatomía ortopédica fue el primer título dentro de la serie atlas prácticos de la marca netter ahora se publica la segunda edición dirigida por jon c

**netter atlas de correlacion anatomo radiologica a copy** - Sep 03 2022

web netter atlas de correlacion anatomo radiologica anatomia cardioradica 1e by frank h netter michael b gotway product details paperback 448 pages publisher

*netter atlas de correlación anatomo radiológica anatomía* - Apr 10 2023

web abebooks com netter atlas de correlación anatomo radiológica anatomía cardiorádica spanish edition 9788445826027 and a great selection of similar new used and

## Unveiling the Magic of Words: A Report on "**Chevy Tracker Manual 2002 Free**"

In a world defined by information and interconnectivity, the enchanting power of words has acquired unparalleled significance. Their ability to kindle emotions, provoke contemplation, and ignite transformative change is actually awe-inspiring. Enter the realm of "**Chevy Tracker Manual 2002 Free**," a mesmerizing literary masterpiece penned by a distinguished author, guiding readers on a profound journey to unravel the secrets and potential hidden within every word. In this critique, we shall delve to the book is central themes, examine its distinctive writing style, and assess its profound affect the souls of its readers.

[https://offsite.creighton.edu/files/virtual-library/Documents/how\\_much\\_does\\_diesel\\_mechanic\\_school\\_cost.pdf](https://offsite.creighton.edu/files/virtual-library/Documents/how_much_does_diesel_mechanic_school_cost.pdf)

[https://offsite.creighton.edu/files/virtual-library/Documents/how\\_many\\_pages\\_is\\_daisy\\_jones\\_and\\_the\\_six.pdf](https://offsite.creighton.edu/files/virtual-library/Documents/how_many_pages_is_daisy_jones_and_the_six.pdf)

[https://offsite.creighton.edu/files/virtual-library/Documents/horses\\_on\\_spirit.pdf](https://offsite.creighton.edu/files/virtual-library/Documents/horses_on_spirit.pdf)

### **Table of Contents Chevy Tracker Manual 2002 Free**

1. Understanding the eBook Chevy Tracker Manual 2002 Free
  - The Rise of Digital Reading Chevy Tracker Manual 2002 Free
  - Advantages of eBooks Over Traditional Books
2. Identifying Chevy Tracker Manual 2002 Free
  - Exploring Different Genres
  - Considering Fiction vs. Non-Fiction
  - Determining Your Reading Goals
3. Choosing the Right eBook Platform
  - Popular eBook Platforms

- Features to Look for in an Chevy Tracker Manual 2002 Free
  - User-Friendly Interface
4. Exploring eBook Recommendations from Chevy Tracker Manual 2002 Free
    - Personalized Recommendations
    - Chevy Tracker Manual 2002 Free User Reviews and Ratings
    - Chevy Tracker Manual 2002 Free and Bestseller Lists
  5. Accessing Chevy Tracker Manual 2002 Free Free and Paid eBooks
    - Chevy Tracker Manual 2002 Free Public Domain eBooks
    - Chevy Tracker Manual 2002 Free eBook Subscription Services
    - Chevy Tracker Manual 2002 Free Budget-Friendly Options
  6. Navigating Chevy Tracker Manual 2002 Free eBook Formats
    - ePub, PDF, MOBI, and More
    - Chevy Tracker Manual 2002 Free Compatibility with Devices
    - Chevy Tracker Manual 2002 Free Enhanced eBook Features
  7. Enhancing Your Reading Experience
    - Adjustable Fonts and Text Sizes of Chevy Tracker Manual 2002 Free
    - Highlighting and Note-Taking Chevy Tracker Manual 2002 Free
    - Interactive Elements Chevy Tracker Manual 2002 Free
  8. Staying Engaged with Chevy Tracker Manual 2002 Free
    - Joining Online Reading Communities
    - Participating in Virtual Book Clubs
    - Following Authors and Publishers Chevy Tracker Manual 2002 Free
  9. Balancing eBooks and Physical Books Chevy Tracker Manual 2002 Free
    - Benefits of a Digital Library
    - Creating a Diverse Reading Collection Chevy Tracker Manual 2002 Free
  10. Overcoming Reading Challenges
    - Dealing with Digital Eye Strain
    - Minimizing Distractions
    - Managing Screen Time
  11. Cultivating a Reading Routine Chevy Tracker Manual 2002 Free



- Setting Reading Goals Chevy Tracker Manual 2002 Free
- Carving Out Dedicated Reading Time
- 12. Sourcing Reliable Information of Chevy Tracker Manual 2002 Free
  - Fact-Checking eBook Content of Chevy Tracker Manual 2002 Free
  - Distinguishing Credible Sources
- 13. Promoting Lifelong Learning
  - Utilizing eBooks for Skill Development
  - Exploring Educational eBooks
- 14. Embracing eBook Trends
  - Integration of Multimedia Elements
  - Interactive and Gamified eBooks

### **Chevy Tracker Manual 2002 Free Introduction**

Free PDF Books and Manuals for Download: Unlocking Knowledge at Your Fingertips In today's fast-paced digital age, obtaining valuable knowledge has become easier than ever. Thanks to the internet, a vast array of books and manuals are now available for free download in PDF format. Whether you are a student, professional, or simply an avid reader, this treasure trove of downloadable resources offers a wealth of information, conveniently accessible anytime, anywhere. The advent of online libraries and platforms dedicated to sharing knowledge has revolutionized the way we consume information. No longer confined to physical libraries or bookstores, readers can now access an extensive collection of digital books and manuals with just a few clicks. These resources, available in PDF, Microsoft Word, and PowerPoint formats, cater to a wide range of interests, including literature, technology, science, history, and much more. One notable platform where you can explore and download free Chevy Tracker Manual 2002 Free PDF books and manuals is the internet's largest free library. Hosted online, this catalog compiles a vast assortment of documents, making it a veritable goldmine of knowledge. With its easy-to-use website interface and customizable PDF generator, this platform offers a user-friendly experience, allowing individuals to effortlessly navigate and access the information they seek. The availability of free PDF books and manuals on this platform demonstrates its commitment to democratizing education and empowering individuals with the tools needed to succeed in their chosen fields. It allows anyone, regardless of their background or financial limitations, to expand their horizons and gain insights from experts in various disciplines. One of the most significant advantages of downloading PDF books and manuals lies in their portability. Unlike physical copies, digital books can be stored and carried on a single device, such as a tablet or smartphone, saving valuable space and weight. This convenience makes it possible for readers to have

their entire library at their fingertips, whether they are commuting, traveling, or simply enjoying a lazy afternoon at home. Additionally, digital files are easily searchable, enabling readers to locate specific information within seconds. With a few keystrokes, users can search for keywords, topics, or phrases, making research and finding relevant information a breeze. This efficiency saves time and effort, streamlining the learning process and allowing individuals to focus on extracting the information they need. Furthermore, the availability of free PDF books and manuals fosters a culture of continuous learning. By removing financial barriers, more people can access educational resources and pursue lifelong learning, contributing to personal growth and professional development. This democratization of knowledge promotes intellectual curiosity and empowers individuals to become lifelong learners, promoting progress and innovation in various fields. It is worth noting that while accessing free Chevy Tracker Manual 2002 Free PDF books and manuals is convenient and cost-effective, it is vital to respect copyright laws and intellectual property rights. Platforms offering free downloads often operate within legal boundaries, ensuring that the materials they provide are either in the public domain or authorized for distribution. By adhering to copyright laws, users can enjoy the benefits of free access to knowledge while supporting the authors and publishers who make these resources available. In conclusion, the availability of Chevy Tracker Manual 2002 Free free PDF books and manuals for download has revolutionized the way we access and consume knowledge. With just a few clicks, individuals can explore a vast collection of resources across different disciplines, all free of charge. This accessibility empowers individuals to become lifelong learners, contributing to personal growth, professional development, and the advancement of society as a whole. So why not unlock a world of knowledge today? Start exploring the vast sea of free PDF books and manuals waiting to be discovered right at your fingertips.

### **FAQs About Chevy Tracker Manual 2002 Free Books**

1. Where can I buy Chevy Tracker Manual 2002 Free books? Bookstores: Physical bookstores like Barnes & Noble, Waterstones, and independent local stores. Online Retailers: Amazon, Book Depository, and various online bookstores offer a wide range of books in physical and digital formats.
2. What are the different book formats available? Hardcover: Sturdy and durable, usually more expensive. Paperback: Cheaper, lighter, and more portable than hardcovers. E-books: Digital books available for e-readers like Kindle or software like Apple Books, Kindle, and Google Play Books.
3. How do I choose a Chevy Tracker Manual 2002 Free book to read? Genres: Consider the genre you enjoy (fiction, non-fiction, mystery, sci-fi, etc.). Recommendations: Ask friends, join book clubs, or explore online reviews and

- recommendations. Author: If you like a particular author, you might enjoy more of their work.
4. How do I take care of Chevy Tracker Manual 2002 Free books? Storage: Keep them away from direct sunlight and in a dry environment. Handling: Avoid folding pages, use bookmarks, and handle them with clean hands. Cleaning: Gently dust the covers and pages occasionally.
  5. Can I borrow books without buying them? Public Libraries: Local libraries offer a wide range of books for borrowing. Book Swaps: Community book exchanges or online platforms where people exchange books.
  6. How can I track my reading progress or manage my book collection? Book Tracking Apps: Goodreads, LibraryThing, and Book Catalogue are popular apps for tracking your reading progress and managing book collections. Spreadsheets: You can create your own spreadsheet to track books read, ratings, and other details.
  7. What are Chevy Tracker Manual 2002 Free audiobooks, and where can I find them? Audiobooks: Audio recordings of books, perfect for listening while commuting or multitasking. Platforms: Audible, LibriVox, and Google Play Books offer a wide selection of audiobooks.
  8. How do I support authors or the book industry? Buy Books: Purchase books from authors or independent bookstores. Reviews: Leave reviews on platforms like Goodreads or Amazon. Promotion: Share your favorite books on social media or recommend them to friends.
  9. Are there book clubs or reading communities I can join? Local Clubs: Check for local book clubs in libraries or community centers. Online Communities: Platforms like Goodreads have virtual book clubs and discussion groups.
  10. Can I read Chevy Tracker Manual 2002 Free books for free? Public Domain Books: Many classic books are available for free as they're in the public domain. Free E-books: Some websites offer free e-books legally, like Project Gutenberg or Open Library.

### **Find Chevy Tracker Manual 2002 Free :**

how much does diesel mechanic school cost

how many pages is daisy jones and the six horses on spirit

how can teachers help their students to develop automaticity

how does fermentation differ from respiration

**how much is insurance for a cessna 172**

**how many times was sam houston married**

*how old is sadako*

*how old is leprechaun*

*how does thrawn die*

**how many pages in a court of frost and starlight**

*how to become a successful real estate agent pdf*

*how to become a character concept artist*

**how much does mike rowe charge to speak**

*how many chapters are in im glad my mom died*

**Chevy Tracker Manual 2002 Free :**